



The Ontario Gazette

La Gazette de l'Ontario

Vol. 141-18
Saturday, 3 May 2008

Toronto

ISSN 0030-2937
Le samedi 3 mai 2008

Ontario Highway Transport Board

Periodically, temporary applications are filed with the Board. Details of these applications can be made available at anytime to any interested parties by calling (416) 326-6732.

The following are applications for extra-provincial and public vehicle operating licenses filed under the Motor Vehicle Transport Act, 1987, and the Public Vehicles Act. All information pertaining to the applicant i.e. business plan, supporting evidence, etc. is on file at the Board and is available upon request.

Any interested person who has an economic interest in the outcome of these applications may serve and file an objection within 29 days of this publication. The objector shall:

1. complete a Notice of Objection Form,
2. serve the applicant with the objection,
3. file a copy of the objection and provide proof of service of the objection on the applicant with the Board,
4. pay the appropriate fee.

Serving and filing an objection may be effected by hand delivery, mail, courier or facsimile. Serving means the date received by a party and filing means the date received by the Board.

LES LIBELLÉS DES DEMANDES PUBLIÉES CI-DESSOUS SONT AUSSI DISPONIBLES EN FRANÇAIS SUR DEMANDE.

Pour obtenir de l'information en français, veuillez communiquer avec la Commission des transports routiers au 416-326-6732

Robert Z. Ball 39940-A
7004 Road 38, R. R. # 1, Verona, ON K0H 2W0

Applies for an amendment to public vehicle (school bus) operating licence Number PVS-7815, as follows:

For the transportation of students for the Limestone District School Board between points in the County of Frontenac and schools under the jurisdiction of the aforesaid School Board.

PROVIDED THAT chartered trips be restricted to school purposes and only for schools under the jurisdiction of the aforesaid School Board.

Donna Dillabough 47546
35312 Highway 28 E., General Delivery
McArthurs Mills, ON K0L 2M0

Applies for a public vehicle (school bus) operating licence, as follows:

For the transportation of students for the Hastings and Prince Edward District School Board, the Algonquin and Lakeshore Catholic District School Board, Le Conseil Des Ecoles Catholiques De Langue Francaise Du Centre-Est, Le Conseil Des Ecoles Publiques De L'Est De L'Ontario, the Airy and Sabine District School Authority between points in the Counties of Hastings, Prince Edward, Renfrew, Northumberland, Haliburton and the District of Nipissing and schools under the jurisdiction of the aforesaid School Board.

PROVIDED THAT chartered trips be restricted to school purposes and only for schools under the jurisdiction of the aforesaid School Board.

Gordon Earl Douglas 34776-A
1252 Fort Stewart Rd., R. R. # 4, Bancroft, ON K0L 1C0

Applies for an amendment to public vehicle (school bus) operating licence Number PVS-7305, as follows:

For the transportation of students for the Hastings and Prince Edward District School Board, the Algonquin and Lakeshore Catholic District School Board, Le Conseil Des Ecoles Catholiques De Langue Francaise Du Centre-Est, Le Conseil Des Ecoles Publiques De L'Est De L'Ontario, the Airy and Sabine District School Authority between points in the Counties of Hastings, Prince Edward, Renfrew, Northumberland, Haliburton and the District of Nipissing and schools under the jurisdiction of the aforesaid School Board.

PROVIDED THAT chartered trips be restricted to school purposes and only for schools under the jurisdiction of the aforesaid School Board.

Russell W. Forsyth 47547
1450 Danforth Road, R. R. #1, Hillier, ON K0K 2J0

Applies for an amendment to public vehicle (school bus) operating licence Number PVS-6137, as follows:

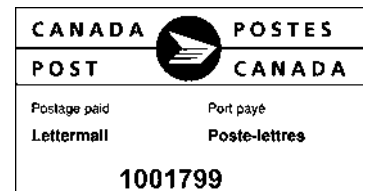
For the transportation of students for the Hastings and Prince Edward District School Board, the Algonquin and Lakeshore Catholic District School Board, Le Conseil Des Ecoles Catholiques De Langue Francaise Du Centre-Est, Le Conseil Des Ecoles Publiques De L'Est De L'Ontario, the Airy and Sabine District School Authority between points in the Counties of Hastings, Prince Edward, Renfrew, Northumberland, Haliburton and the District of Nipissing and schools under the jurisdiction of the aforesaid School Board.

Published by Ministry of Government and
Consumer Services
Publié par le Ministère des Services gouvernementaux
et des Services aux consommateurs

© Queen's Printer for Ontario, 2008
© Imprimeur de la Reine pour l'Ontario, 2008



1081



PROVIDED THAT chartered trips be restricted to school purposes and only for schools under the jurisdiction of the aforesaid School Board.

James Earl Handley (o/a Handley Busing) 16906-D
1571 County Road 10, R. R. #3, Picton, ON K0K 2T0

Applies for an amendment to public vehicle (school bus) operating licence Number PVS-5599, as follows:

For the transportation of students for the Hastings and Prince Edward District School Board, the Algonquin and Lakeshore Catholic District School Board, Le Conseil Des Ecoles Catholiques De Langue Francaise Du Centre-Est, Le Conseil Des Ecoles Publiques De L'Est De L'Ontario, the Airy and Sabine District School Authority between points in the Counties of Hastings, Prince Edward, Renfrew, Northumberland, Haliburton and the District of Nipissing and schools under the jurisdiction of the aforesaid School Board.

PROVIDED THAT chartered trips be restricted to school purposes and only for schools under the jurisdiction of the aforesaid School Board.

Mildred E. Jones-Antoine 45285-A
P. O. Box 285, 14180 Rd. 38, Sharbot Lake, ON K0H 2P0

Applies for an amendment to public vehicle (school bus) operating licence Number PVS-8176, as follows:

For the transportation of students for the Algonquin and Lakeshore Catholic District School Board, the Limestone District School Board, Le Conseil Des Ecoles Catholiques De Langue Francaise Du Centre-Est, Le Conseil Des Ecoles Publiques De L'Est De L'Ontario between points in the Counties of Frontenac and Lanark and the United Counties of Lennox and Addington and Leeds and Grenville and schools under the jurisdiction of the aforesaid School Board.

PROVIDED THAT chartered trips be restricted to school purposes and only for schools under the jurisdiction of the aforesaid School Board.

Request Limousine Services Inc. 46650
32 Claridge Crescent, Whitby, ON L1R 3E2

Applies for an extra-provincial operating licence as follows:

For the transportation of passengers on a chartered trip from points in the Cities of Toronto and Kawartha Lakes, the Regional Municipalities of Durham, York and Peel to the Ontario/Québec, Ontario/Manitoba and the Ontario/U.S.A. border crossings for furtherance to points as authorized by the relevant jurisdiction and return of the same passengers on the same chartered trip to point of origin.

PROVIDED THAT there shall be no pick-up or discharge of passengers except at point of origin.

Applies for a public vehicle operating licence as follows: 46650-A

For the transportation of passengers on a chartered trip from points in the Cities of Toronto and Kawartha Lakes, the Regional Municipalities of Durham, York and Peel.

Patti E. Robinson 30905-A
608 Graphite Road, R. R. # 1, Maynooth, ON K0L 2S0

Applies for an amendment to public vehicle (school bus) operating licence Number PVS-3506, as follows:

For the transportation of students for the Hastings and Prince Edward District School Board, the Algonquin and Lakeshore Catholic District School Board, the Limestone District School Board between points in the Counties of Frontenac, Hastings and Prince Edward and schools under the jurisdiction of the aforesaid School Board.

PROVIDED THAT chartered trips be restricted to school purposes and only for schools under the jurisdiction of the aforesaid School Board.

William Byron Scott 44395-A
7 Lake Street, Box 368, Picton, ON K0K 2T0

Applies for an amendment to public vehicle (school bus) operating licence Number PVS-7921, as follows:

For the transportation of students for the Hastings and Prince Edward District School Board, the Algonquin and Lakeshore Catholic District School Board, Le Conseil Des Ecoles Catholiques De Langue Francaise Du Centre-Est, Le Conseil Des Ecoles Publiques De L'Est De L'Ontario between points in the Counties of Hastings and Prince Edward and schools under the jurisdiction of the aforesaid School Board.

PROVIDED THAT chartered trips be restricted to school purposes and only for schools under the jurisdiction of the aforesaid School Board

John H. Watson (Watson's Bus Lines) 46153-A
R. R. # 1, 4701 Kerr Lane, Harrowsmith, ON K0H 1V0

Applies for an amendment to public vehicle (school bus) operating licence Number PVS-6760, as follows:

For the transportation of students for the Algonquin and Lakeshore Catholic District School Board, the Limestone District School Board, Le Conseil Des Ecoles Catholiques De Langue Francaise Du Centre-Est, Le Conseil Des Ecoles Publiques De L'Est De L'Ontario between points in the Counties of Frontenac and Lanark and the United Counties of Lennox and Addington and Leeds and Grenville and schools under the jurisdiction of the aforesaid School Board.

PROVIDED THAT chartered trips be restricted to school purposes and only for schools under the jurisdiction of the aforesaid School Board

(141-G184) **FELIX D'MELLO**
 Board Secretary/Secrétaire de la Commission

Government Notices Respecting Corporations Avis du gouvernement relatifs aux compagnies

Notice of Default in Complying with the Corporations Tax Act Avis de non-observation de la Loi sur l'imposition des sociétés

The Director has been notified by the Minister of Finance that the following corporations are in default in complying with the *Corporations Tax Act*.

NOTICE IS HEREBY GIVEN under subsection 241(1) of the *Business Corporations Act*, that unless the corporations listed hereunder comply with the requirements of the *Corporations Tax Act* within 90 days of this notice, orders will be made dissolving the defaulting corporations. All enquiries concerning this notice are to be directed to Ministry of Finance, Corporations Tax, 33 King Street West, Oshawa, Ontario L1H 8H6.

Le ministre des Finances a informé le directeur que les sociétés suivantes n'avaient pas respecté la *Loi sur l'imposition des sociétés*.

AVIS EST DONNÉ PAR LA PRÉSENTE que, conformément au paragraphe 241(1) de la *Loi sur les sociétés par actions*, si les sociétés citées ci-dessous ne se conforment pas aux prescriptions énoncées par la *Loi sur l'imposition des sociétés* dans un délai de 90 jours suivant la réception du présent avis, lesdites sociétés se verront dissoutes par décision. Pour tout renseignement relatif au présent avis, veuillez vous adresser à l'Imposition des sociétés, ministère des Finances, 33, rue King ouest, Oshawa ON L1H 8H6.

Name of Corporation: Dénomination sociale de la société:	Ontario Corporation Number Numéro de la société en Ontario
--	--

2008-05-03

AFFORDABLE TEMPS LTD.	002012515
AL MACCA GROCERY & HALAL MEAT LTD.	001610450
ALLENBARRY MOTORS LTD.	001548712
B D M INC.	001389658
BELGRAVE MANOR PRODUCTIONS INC.	001545978
BREMEL CO. LTD.	000362741
C.D. SONTER EMPLOYEES' HOLDING COMPANY LTD.	001476916
CAPITAL AIRPORT CADDIE LIMOUSINE INC.	001135040
CBAO ENTERPRISES INC.	001510189
CEYCAN TRAVEL & TOURS INC.	002029085
CHRYSALIS SOFTWARE INC.	000813032
CLAIMS MARKETING INC.	001517799
DANKA DELI LIMITED	001100119
DIREMCO ELECTRIC LTD.	000698196
EPOCH MANAGEMENT INC.	000771898
ETRA INC.	001367134
EXPRESS LINE 2000 INC.	001375351
FASTRAX FINANCIAL CORP.	001357524
FBANX TAX SERVICES INC.	001562913
FEASTABILITIES INC.	001142372
FINO CONTRACTING INC.	001286195
FIRST FEDERAL BANCORP (CANADA) INC.	000809980
FLYING PUCK ADVERTISING INC.	001530232
FREEHAND MULTIMEDIA INC	001221147
G.S. COLLARD HOLDINGS LIMITED	000619496
G-TECH AUTOMOTIVE SUPPLY INC.	001335222
GEMERA GOLF LINX INC.	001457721
GREEN OPAL MANAGEMENT CORPORATION	001511413
GUYTRIN ENVIRONMENTAL SERVICES INC.	001359600
HAPPY BAGEL INC.	001299364
HOFINATOR ENTERPRISES LTD.	001551738
HUNTINGWOOD CLEANERS LIMITED	000390041
IMAGE INDUSTRIAL REFINISHING INC.	000721152

Name of Corporation: Dénomination sociale de la société:	Ontario Corporation Number Numéro de la société en Ontario
J. C. STEEL ERECTORS LIMITED	001472554
JACOB PRODUCTS LTD.	001342724
KAVITHAS INC.	000913892
MAJESTIC FLORAL DESIGN INC.	001393067
MINKO HOLDINGS LIMITED	002023251
MITZ DEVELOPMENTS INCORPORATED	000596153
MONITOR PLUS INC.	001297297
NEUROGRAPHICS INC.	001030117
NIAGARA NEW HOME SALES LTD.	001397977
NUR OF CANADA LTD.	000457757
OMEGA FINE FOODS INC.	001086272
ONTARIO CLASSIC BEVERAGES LIMITED	001565264
PACE AUTOSPORT INC.	001514999
PANJAN CONSULTING INC.	001050852
PR CALI FOOD & BEVERAGE INC.	002041334
RE/MAX ROSELAND REALTY LTD.	000586037
RESIDUX INC.	001609479
RON MCLAREN HOLDINGS LTD.	000746509
ROTOLO CONSULTANTS LTD.	000572073
RSH CONTRACTING INC.	001361043
S. J. MACKENZIE CO. LTD.	000701236
SAM SACCO BOWLING CONSTRUCTION LIMITED	000482457
SHAK ENTERPRISES INC.	002027976
SLIMLITE SKYLIGHTS INC.	000933997
SNI TECHNOLOGIES CORPORATION	001608922
STELERECT LIMITED	000231433
SUNTORCAN INTERNATIONAL INC.	001274795
SUPER FINE ELECTRONICS LTD.	001483944
T.O. HEALTH SERVICES INC.	001480302
TAAB INC.	001176606
TECH CONSOLES INC.	002041761
THE CRYSLIS FOUNDATION LTD.	001469879
THE JESTER'S DEN INC.	001149076
THE MOST SUPERIOR INVESTMENT CORPORATION	001101404
THERESA FLINT ENTERPRISES INC.	000838955
TIA VENTURA & COMPANY INC.	001164323
TWO BITS STUNTS INC.	001469350
V.I.P. TOURS INC.	001159634
VITARA INNOVATION INC.	001508040
W. RETTINGER SERVICES INC.	000604836
WIRTZ GROUP PERSONNEL INC.	000745246
WORLD-TRANS INTERNATIONAL INC.	001218394
XCELARATOR MARKETING INC.	002016816
ZIRI MANAGEMENT INC.	001523672
1032028 ONTARIO LIMITED	001032028
1058923 ONTARIO INC.	001058923
1125888 ONTARIO INC.	001125888
1239460 ONTARIO INC.	001239460
1279310 ONTARIO INC.	001279310
1280156 ONTARIO LTD.	001280156
1290893 ONTARIO INC.	001290893
1293377 ONTARIO INC.	001293377
1324016 ONTARIO LIMITED	001324016
1333916 ONTARIO INC.	001333916
1401297 ONTARIO INC.	001401297
1415693 ONTARIO LTD.	001415693
1420559 ONTARIO LIMITED	001420559
1424350 ONTARIO INC.	001424350
1425255 ONTARIO LTD.	001425255
1454444 ONTARIO INC.	001454444
1474544 ONTARIO LIMITED	001474544
1487707 ONTARIO INC.	001487707

Name of Corporation: Dénomination sociale de la société:	Ontario Corporation Number Numéro de la société en Ontario
1489450 ONTARIO INC.	001489450
1498228 ONTARIO INC.	001498228
1503918 ONTARIO INC.	001503918
1504353 ONTARIO INC.	001504353
1510265 ONTARIO LIMITED	001510265
1552383 ONTARIO INC.	001552383
1558777 ONTARIO CORP.	001558777
1559659 ONTARIO INC.	001559659
1561631 ONTARIO INC.	001561631
1564725 ONTARIO INC.	001564725
1587263 ONTARIO LIMITED	001587263
1587426 ONTARIO INC.	001587426
2010134 ONTARIO INC.	002010134
2010970 ONTARIO LIMITED	002010970
2014938 ONTARIO LIMITED	002014938
4D CONCEPTS INC.	001315787
518056 ONTARIO LIMITED	000518056
581357 ONTARIO INC.	000581357
584416 ONTARIO LIMITED	000584416
59 CORPORATION LIMITED	000347858
724789 ONTARIO LIMITED	000724789
755249 ONTARIO INC.	000755249
770696 ONTARIO INC.	000770696
838613 ONTARIO LIMITED	000838613
934745 ONTARIO LTD.	000934745

M. KALSBECK
Director, Companies and Personal Property
Security Branch
Directrice, Direction des compagnies et des
sûretés mobilières

(141-G185)

**Cancellation of Certificate
of Incorporation
(Corporations Tax Act Defaulters)
Annulation de certificat de constitution
(Non-observation de la Loi sur
l'imposition des sociétés)**

NOTICE IS HEREBY GIVEN that, under subsection 241(4) of the *Business Corporations Act*, the Certificate of Incorporation of the corporations named hereunder have been cancelled by an Order for default in complying with the provisions of the *Corporations Tax Act*, and the said corporations have been dissolved on that date.

AVIS EST DONNÉ PAR LA PRÉSENTE que, conformément au paragraphe 241(4) de la *Loi sur les sociétés par actions*, le certificat de constitution de la société sous-nommé a été annulé par Ordre pour non-observation des dispositions de la *Loi sur l'imposition des sociétés* et que la dissolution de la société concernée prend effet à la date susmentionnée.

Name of Corporation: Dénomination sociale de la société:	Ontario Corporation Number Numéro de la société en Ontario
2008-04-07	
ASHWOOD CENTRAL INC.	001263385
BEJENEN ENTERPRISES INC.	001275605
BLASTWORKS HOLDINGS INC.	001277246
BLUEWATER INDUSTRIAL CLEANING INC.	001230947
BUILDING PERSONNEL PLACEMENT (HAMILTON) INC.	001274257
CAFE ROUGE INC.	001276633
CALVIN E. CONSTRUCTION LIMITED	001288067

Name of Corporation: Dénomination sociale de la société:	Ontario Corporation Number Numéro de la société en Ontario
CAN & WILL ASSIST CORP.	001223839
CANADIAN GRAPHIC EXPORT INC.	001288624
CANADIAN PLASTICS AND TEXTILES MARKETING INC.	001288769
CANADIAN POWER SOURCE INC.	001279984
CIIC - CANADIAN INTERNATIONAL IMPORT CO. LTD.	001274756
COMPUTER LIQUIDATION OUTLET INC.	001280014
DAN DESIGN CONSULTANCY INCORPORATED	001277749
DIVINE SYSTEMS INC.	001287612
D2 (MFG.) INC.	001279298
EL-FADY & CORPORATION INC.	001274256
EMERALD LAKE HOLDINGS INCORPORATED	001267752
ENVIRONMENTAL ANALYSIS INC.	001278089
FAI HUANG FASHION LIMITED	001276014
FRIENDLY CUP DONUTS & DELI LTD.	001285731
GOODFUTURE ENTERPRISES INC.	001289685
GREEN WAY LTD.	001275078
HOME DECOR FURNISHINGS INC.	001266370
JOEL J. VERMEERSCH REAL ESTATE INC.	001273812
KELCAN INVESTMENTS LTD.	001272835
L. & W. DEVELOPMENTS INC.	001154505
LACKOFUNDS PRODUCTION INC.	001275306
LANMARK SYSTEMS INC.	001257355
LIFE-TIME HOME IMPROVEMENTS LTD.	001279538
LIKA DRYWALL SYSTEMS LIMITED	001285190
MARGIN CONSULTING & CONTRACTING INC.	001275817
MARINOR & NEIVA MAINTENANCE LIMITED	001283566
MCCULLOCH COMPUTER CONSULTING INC.	001273383
MEASURE UP FLOOR PLANNING SERVICES INC.	001276477
MICROPOINT LIMITED	001275527
NAMA SOFT INC.	001282392
NANINI IDR INC.	001278243
NORM ELLIS TRUCKING LTD.	001273939
P.G.S. INTERNATIONAL CONSULTANTS (CANADA) INC.	001286068
PARDY LINE TELECOMMUNICATIONS INC.	001278240
RAMNATH HOLDINGS INC.	001284328
RENTREE FURNITURE CORPORATION	001276261
RICHICA INC.	001282365
SAKERETT INC.	001286768
SHANWILL TECHNOLOGY SERVICES INC.	001277493
SINO-CAN WEALTH ENTERPRISES CO. LTD.	001280976
STRATEGIC INK PUBLISHING LTD.	001281857
SYNTAXIS ONLINE INC.	001165235
SYSTEMS PLUS SPACE MANAGEMENT INC.	001284689
TEDSAT CORP.	001275589
THE GIVING TREE LTD.	001277167
TILBURY DAY CARE INC.	001287611
V-ONE INC.	001280435
VALHALLA REALTY CORP.	001276927
VICTORY TRADITIONS (WHITBY) LIMITED	001275902
VISION INC.	001282056
WIZ-NIZ CONSULTING INC.	001273744
XIANDA (CANADA) INC.	001223561
1112070 ONTARIO INC.	001112070
1173651 ONTARIO INC.	001173651
1191582 ONTARIO LIMITED	001191582
1230939 ONTARIO INC.	001230939
1264025 ONTARIO LIMITED	001264025
1266110 ONTARIO INC.	001266110
1266739 ONTARIO INC.	001266739
1267525 ONTARIO INC.	001267525
1267567 ONTARIO INC.	001267567
1267785 ONTARIO LTD.	001267785
1270389 ONTARIO LIMITED	001270389
1273285 ONTARIO INC.	001273285
1275214 ONTARIO LIMITED	001275214
1275289 ONTARIO LIMITED	001275289
1275297 ONTARIO INC.	001275297

Name of Corporation: Dénomination sociale de la société:	Ontario Corporation Number Numéro de la société en Ontario
1275433 ONTARIO INC.	001275433
1275808 ONTARIO INC.	001275808
1275819 ONTARIO LIMITED	001275819
1276171 ONTARIO INC.	001276171
1276642 ONTARIO INC.	001276642
1276846 ONTARIO INC.	001276846
1277205 ONTARIO INC.	001277205
1277372 ONTARIO INC.	001277372
1277751 ONTARIO INC.	001277751
1278077 ONTARIO LTD.	001278077
1278259 ONTARIO LIMITED	001278259
1279985 ONTARIO LIMITED	001279985
1280004 ONTARIO LIMITED	001280004
1280018 ONTARIO LIMITED	001280018
1280957 ONTARIO LIMITED	001280957
1281385 ONTARIO LIMITED	001281385
1281876 ONTARIO INC.	001281876
1282090 ONTARIO INC.	001282090
1283897 ONTARIO INC.	001283897
1284486 ONTARIO INC.	001284486
1284831 ONTARIO INC.	001284831
1284901 ONTARIO LTD.	001284901
1285065 ONTARIO LTD.	001285065
1285739 ONTARIO INC.	001285739
1287256 ONTARIO LIMITED	001287256
1287271 ONTARIO LIMITED	001287271
1288002 ONTARIO LTD.	001288002
1289707 ONTARIO LTD.	001289707
1482569 ONTARIO INC.	001482569

M. KALSBECK
Director, Companies and Personal Property
Security Branch
Directrice, Direction des compagnies et des
sûretés mobilières

(141-G186)

Certificate of Dissolution Certificat de dissolution

NOTICE IS HEREBY GIVEN that a certificate of dissolution under the *Business Corporations Act* has been endorsed. The effective date of dissolution precedes the corporation listings.

AVIS EST DONNÉ PAR LA PRÉSENTE que, conformément à la *Loi sur les sociétés par actions*, un certificat de dissolution a été inscrit pour les compagnies suivantes. La date d'entrée en vigueur précède la liste des compagnies visées.

Name of Corporation: Dénomination sociale de la société:	Ontario Corporation Number Numéro de la société en Ontario
2008-03-07	
657634 ONTARIO INC.	000657634
2008-03-19	
THOMAS A. CROSSMAN INTERNATIONAL LIMITED	000359457
2008-03-28	
BRYDALE DEVELOPMENTS (TORONTO) INC.	002002514
2008-04-02	
BANKTEN MANAGEMENT HOLDINGS LIMITED	000945003
COMPUTER PAINTS ALLIANCE INC.	001599173
FILYO MAINTENANCE SERVICES INC.	000958017
J.P. INDUSTRIES INC.	000980210
MACKENZIE MORTGAGE HOUSE INC.	001627373
PH GARDEN MARKETING LIMITED	000380215

Name of Corporation: Dénomination sociale de la société:	Ontario Corporation Number Numéro de la société en Ontario
PORTAL.COM INC.	001334431
S&P ATM SERVICES INC.	002025833
SAUBER CORPORATION	001188691
SIGNIOS INC.	002004839
WOODLANDS MECHANICAL INC.	001298885
596550 ONTARIO LIMITED	000596550
846137 ONTARIO LIMITED	000846137
2008-04-03	
A. RECSKA LANDSCAPING & GARDENING LIMITED	000355446
AENA INC.	002066851
ANTIGONI ENTERPRISES LIMITED	000619056
DANCOX ENTERPRISES INC.	001212365
DE CONNIE WINNIE INC.	001362741
FOLIAGE LANDSCAPE DESIGN LTD.	002104404
G.B. HOOPER & SON LIMITED	000914241
J.G. LOGISTICS INC.	001365129
SEAFORTH & CLINTON AMBULANCE SERVICE LTD.	000891946
SONG OF CHINA LTD.	001271284
1303608 ONTARIO LTD.	001303608
1626912 ONTARIO INC.	001626912
2089047 ONTARIO LTD.	002089047
2008-04-04	
CAN CAM COSMETICS INC.	002010502
E. MARKLE INC.	001333813
JAMES BUTCHER SERVICES INC.	001037192
KEENMAR LIMITED	000870287
LAKING + BOIVIN + ASSOCIATES INC.	001259669
MYZN ENTERPRISES INC.	001515096
NATIONAL SYSTEMS TRANSPORTATION INC.	001188011
SPRUCE LANE STABLE INC.	001059283
TELEMINDER INCORPORATED	001189572
1022069 ONTARIO INC.	001022069
1120077 ONTARIO INC.	001120077
1142395 ONTARIO LIMITED	001142395
1495128 ONTARIO INC.	001495128
1540164 ONTARIO INC.	001540164
1558301 ONTARIO INC.	001558301
1716885 ONTARIO INC.	001716885
2008-04-05	
CANADIAN SHIELD MANAGEMENT LTD.	001458444
1334432 ONTARIO LTD.	001334432
2008-04-07	
A TO Z SYSTEMS CONTRACTORS INC.	001200178
ADO PHARMA INC.	001665560
BURGMAN SOFTWORKS LTD.	000815093
DNG INDUSTRIES LTD.	001299396
ENTEC CANADA, INC.	001357133
GEILLS HOLDINGS INC.	000723061
GEOPETE INVESTMENTS INC.	000670462
GLOBAL INVENTORY MANAGEMENT SOLUTIONS, INC.	002086728
GTA BUILDERS GROUP INC.	001674854
HAYDION CORPORATION	000435830
JACK R. DESMARAIS COMMUNICATIONS INC.	000627026
JAKA'S COFFEE & BUBBLE TEA INC.	001453582
JANDIA LIMITED	001033217
KAMA BOTTLING COMPANY LTD.	001605765
KAMA HOLDINGS LTD.	001605763
LARRY W. WILMSHURST REAL ESTATE APPRAISALS LIMITED	000560752
LUPA CONSTRUCTION LIMITED	000556824
MARK SWAIN MOTORSPORTS INC.	001441694
NIGHTHAWK CHARTERS INC.	001264215
NORM WARREN REALTY INC.	001210993
OFFICE ADVANTAGE INC.	000944542
ONTARIO GARAGE SUPPLIES LTD.	000349654
PACIFICA GROUP VENTURES INC.	001644710

Name of Corporation: Dénomination sociale de la société:	Ontario Corporation Number Numéro de la société en Ontario
PAPER MOON INC.	001580773
PBGR MARKETING MANAGEMENT INC.	001469831
PRIME SPORT SERVICES INC.	000988137
QUANTUM PROCESS SERVICES LTD.	001277088
SILVER BEACH CAMPGROUND PARK GROUP INC.	002045362
SPEEDWAY AUTO SERVICES LIMITED	000300395
SWIVEL BAIL INC.	000740806
THE MARKET PEOPLE INC.	001179271
THE SHERWOOD COMMUNICATIONS GROUP LTD. LE GROUPE DE COMMUNICATIONS SHERWOOD LTEE	000812306
TORONTO BAM BOO DINING LOUNGE INC.	000536527
WILLIAM G. WEBER LIMITED	000224825
WOOLBROOKS DESIGN LTD.	001055491
1016141 ONTARIO INC.	001016141
1058833 ONTARIO INC.	001058833
1123596 ONTARIO LIMITED	001123596
11242 WARDEN AVE. HOLDINGS INC.	001563493
1257208 ONTARIO LIMITED	001257208
1364490 ONTARIO INC.	001364490
1391494 ONTARIO INC.	001391494
1472615 ONTARIO LTD.	001472615
1705884 ONTARIO INC.	001705884
2011964 ONTARIO LIMITED	002011964
2062106 ONTARIO INC.	002062106
2097976 ONTARIO INCORPORATED	002097976
2126090 ONTARIO LTD.	002126090
447699 ONTARIO LIMITED	000447699
676719 ONTARIO LIMITED	000676719
682381 ONTARIO LIMITED	000682381
806321 ONTARIO INC	000806321
2008-04-08	
DANEM HOLDINGS LIMITED	000884020
EFFICIENCY ELECTRIC INC.	002024808
GABRA & JONATHAN PHARMACY INC.	002066684
GRANYMEDE INVESTMENTS LIMITED	000928643
HUNJAN TRANSPORT LTD.	002067451
J.C.J. MALOTT ENTERPRISE INC.	001184086
KAMA FRANCHISING LTD.	001605764
MARIE CLUTHE DESIGN INC.	000955804
PAXPORT LAGUNA INC.	001077101
R. MUELLER HEATING (1992) INC.	000981593
SAGEWOOD RESOURCES LIMITED	000028293
TED'S PHARMACY LIMITED	000259722
UNIVERSAL BARGAIN WHOLESALERS INC.	001559950
VENETIAN GARDENS REALTY LIMITED	000245441
VRAJESH G. NAYAK INC.	002106917
W.R. KEY INDUSTRIES LIMITED	000362439
Y2K ELECTRIC LTD.	001348137
1199352 ONTARIO LTD.	001199352
1561111 ONTARIO INC.	001561111
1563428 ONTARIO INC.	001563428
1675031 ONTARIO LIMITED	001675031
2058340 ONTARIO INC.	002058340
292061 ONTARIO INC.	000292061
560863 ONTARIO LIMITED	000560863
728086 ONTARIO LIMITED	000728086
813071 ONTARIO INC.	000813071
929392 ONTARIO INC.	000929392
2008-04-09	
B & K KENT FARMS LIMITED	000208798
BRANDISON INC.	001172730
DEJONGE FARMS INC.	000574151
EMPRESS OPTICAL INC.	001719615
FREEDOM VIDEO ENTERTAINMENT INC.	001312999
GOLDEN ARGOSY ENTERPRISES INC.	001064468
GOODFIELD GIROLAMETTO CONSULTING INC.	001172801
HOTTON INVESTMENTS INC.	001335072
KOUSHIS FASHIONS INC.	001525354

Name of Corporation: Dénomination sociale de la société:	Ontario Corporation Number Numéro de la société en Ontario
LAWRENCE X-RAY & ULTRASOUND INC.	001638946
NASA FOOD INC.	001336827
NEAL ENTERPRISES LIMITED	002036667
NNT CATERING INC.	002073383
OCOVICH EXCAVATING LTD.	000506023
PRO SHUTTERS INC.	001476951
RUHE DRAFTING & DESIGN INC.	001405308
SELKIE CONSULTING INC.	001206009
SHERIDAN COMMUNICATIONS LIMITED	001376860
STALEY ASSOCIATES, INC.	001395446
STAN J. GREEN PLUMBING & HEATING CO. LTD.	000771481
SUZANNE STREET PROPERTY LIMITED	000497466
SWO PARTNERS INC.	001537404
TELEVIDEO GAMES LTD.	000812696
TSR/LO MARINE SURVEYS LTD.	001553152
TWEED FIREPLACE SYSTEMS INC.	001085450
TYPOGRAPHICS INVESTMENTS LIMITED	001214051
WESTVIEW DENTAL LABORATORIES LTD.	000309413
YISA TRANSPORTATION LTD.	002139679
YONGE-NORTON HOLDINGS LTD.	001731565
1068561 ONTARIO LTD.	001068561
1126482 ONTARIO INC.	001126482
1146668 ONTARIO INC.	001146668
1405999 ONTARIO INC.	001405999
1472678 ONTARIO LTD.	001472678
1483115 ONTARIO LTD.	001483115
1546755 ONTARIO LIMITED	001546755
1589841 ONTARIO LIMITED	001589841
1596398 ONTARIO LIMITED	001596398
1602188 ONTARIO INC.	001602188
2010157 ONTARIO LTD.	002010157
2031967 ONTARIO INC.	002031967
2044988 ONTARIO LTD.	002044988
2068692 ONTARIO INC.	002068692
2117656 ONTARIO INC.	002117656
539600 ONTARIO LTD.	000539600
625242 ONTARIO INC.	000625242
749563 ONTARIO LIMITED	000749563
910651 ONTARIO INC.	000910651
990931 ONTARIO INC.	000990931
2008-04-10	
AL-MADINA GROCERS AND HALAL MEAT INC.	002014636
ALL DIMENSION ENTERPRISE INC.	001276106
ARCADIA SYMINGTON AVENUE DEVELOPMENT INC.	001131386
BARMAG INC.	001354506
BASIL MLYNCZYK LIMITED	000371623
BEST TREATS INC.	001281091
CANSTAR INTERNATIONAL INC.	002054894
CASTECH ELECTRIC LTD.	000849145
CROSSROADS RESTAURANT AND TAVERN LTD.	001324722
DEN-DAN-DAR INC.	000631356
DHILLON ENGINEERING LTD.	001251379
DIGGERS DOG WASH & GROOMING SALON LTD.	002101879
DUCHARME HOLDINGS LIMITED	000446418
E-ZEE CAR & TRUCK RENTAL INC.	001446495
EVERYDAY INTERNATIONAL LTD.	001622679
HANENBURG CONSTRUCTION LIMITED	000243091
HOSING ROOFING INC.	001693725
IDEAL TILE AND CARPET INVESTMENTS INC.	002083424
JACADON AIRWAYS INC.	000810888
KWICK LINKS LTD.	002085723
LYTTLE HOLDINGS (TRENTON) LTD.	000497566
MAAS SPORTSWEAR INC.	001167842
MANTRA ENTERPRISES LIMITED	000146584
MANTUM CORPORATION	001631270

Name of Corporation: Dénomination sociale de la société:	Ontario Corporation Number Numéro de la société en Ontario	Name of Corporation: Dénomination sociale de la société:	Ontario Corporation Number Numéro de la société en Ontario
MARSH BUSINESS SYSTEMS INC.	000624648	SHANDEX MANAGEMENT CORPORATION	001570059
METWORK MACHINE & TOOL CO. LTD.	000682293	SUSAN WATSON CONSULTING INC.	002004792
MOSES INVESTMENTS LIMITED	000107231	TBI GROUP INC.	001199366
P.O.E.T.S. HOLDINGS CORP.	000558442	THE WILPERS INVESTORS AND DEVELOPERS LTD.	000360271
PAUL'S DESIGN INC.	001589703	TORGIS & SON LIMITED	000123426
PEAK DECORATING LTD.	001103728	YU SERVICES INC.	002016756
R.S.W. BUSINESS GROUP INC.	001158488	1244574 ONTARIO INC.	001244574
SPROTT SECURITIES GP INC.	002081106	1402200 ONTARIO LTD.	001402200
SUNSTAR EXPRESS INC.	000874432	1407673 ONTARIO INC.	001407673
TROUT LAKE MARINE (1987) LTD.	000736809	1499075 ONTARIO LIMITED	001499075
WALMER FOREST PROPERTIES LTD. 1144056 ONTARIO INC.	000450434 001144056	1671167 ONTARIO LTD.	001671167
1201168 ONTARIO LIMITED	001201168	2-4 YONGE STREET (HUNTSVILLE) INC.	001475674
1233882 ONTARIO INC.	001233882	2003831 ONTARIO INC.	002003831
1273694 ONTARIO LIMITED	001273694	826288 ONTARIO LTD.	000826288
1333749 ONTARIO INC.	001333749	828341 ONTARIO LIMITED	000828341
1510399 ONTARIO LIMITED	001510399	2008-04-15	
1565132 ONTARIO INC.	001565132	ADVANTAGE BOOKS INC.	001168906
1574683 ONTARIO LTD.	001574683	BOMBAY TOUCH LTD.	002054482
2013295 ONTARIO LIMITED	002013295	CAYO LTD.	000119906
2099001 ONTARIO INC.	002099001	DR. FOOTWEAR SHOE REPAIR INC.	001372218
601907 ONTARIO INC	000601907	E&G ALLO PHOTO LTD.	000685244
682379 ONTARIO LIMITED	000682379	HALTON HILLS TAE KWON DO INC.	001377152
816246 ONTARIO LIMITED	000816246	MAGDA COLLINS HOLDINGS LIMITED	000626464
841574 ONTARIO LTD.	000841574	MAYNIR INVESTMENTS LTD.	001204012
2008-04-11		MCALPINE STREET INVESTMENTS LTD.	000801948
ADVANCE INTERNATIONAL TECHNOLOGY INC.	001490864	MCKIECHAN & ASSOCIATES INC.	001110552
ALBION WELDING CO. LTD.	000399359	MEDICAL EXAMINATION EXPERTS INC.	002007659
CAMBEN CORPORATION	001315175	MISCELLANEOUS MAINTENANCE (1998) INC.	001288811
DCL COMPANY INCORPORATED	000446114	NORTH AMERICA TRADING CO. LTD.	001321328
HAULGISTIX LTD.	001393502	ORIENTAL CITY BUFFET RESTAURANT LTD.	001653113
HEMOCARE BUILDING CENTRES LIMITED	000386023	S&P PIZZA LIMITED	001288093
J. & L. WIESE FARMS LTD.	001232156	STEVEN P. VARGA REAL ESTATE LTD.	000406267
KATE MULLANE ENTERPRISES INC.	001049463	SUPER WEST HOMES INC.	001312101
LISCIO TECHNOLOGY INC.	002114810	THE PROMIDEAS GROUP INC.	001049693
M.G. RESOURCE MANAGEMENT LTD.	001336377	UPRIGHT TENTS AND AWNINGS LTD.	002134945
MEDIATRIX MANAGEMENT SERVICES, INC.	001561648	1122347 ONTARIO INC.	001122347
MIKE JOHNSON TREE SERVICE LTD.	000756696	1237176 ONTARIO LTD.	001237176
MOE SMITH SALES INC.	000799503	1253398 ONTARIO LIMITED	001253398
SHEL-MAR POWER EQUIPMENT LIMITED	000112064	1558835 ONTARIO INC.	001558835
V & E DRIVING SERVICES INC.	001239628	1564454 ONTARIO INC.	001564454
YAUPON CANADA INTERNATIONAL VENTURES GROUP INC.	002097836	1571013 ONTARIO LTD.	001571013
1073647 ONTARIO INC.	001073647	1686532 ONTARIO INC.	001686532
1336605 ONTARIO LIMITED	001336605	2078175 ONTARIO INC.	002078175
1349031 ONTARIO INC.	001349031	848459 ONTARIO LIMITED	000848459
1467052 ONTARIO LTD.	001467052	2008-04-16	
2120118 ONTARIO INC.	002120118	CONEL LIMITED	001666724
590904 ONTARIO INC.	000590904	DALE AUSTIN REALTY LTD.	000813294
705143 ONTARIO INC.	000705143	GEARS RACING INSTITUTE LTD.	001437327
985196 ONTARIO LIMITED	000985196	J. FOLEY PLUMBING & HEATING LIMITED	000434992
2008-04-14		M.J. BOOTH ASSOCIATES INC.	000692316
BROWN GOOSE HOLDINGS INC.	001712111	MEE WOO CO. LTD.	000739003
DEEP GOODS CARRIER INC.	002038372	THE LONE FIDDLE LIMITED	001689498
ELIXIR RESTAURANT CAFE & CATERING LTD.	001379671	TRIQUEST EQUITIES & INVESTMENTS INC.	001529238
FLASH COIFFURES LTD.	001227958	W.J. HILLIER ENTERPRISES LIMITED	000290864
GARRY SCARLETT TRUCKING LTD.	001060348	WILSON STRAPPING DISPENSERS LTD.	001628574
JEMKAY INVESTMENTS INC.	000897917	1243724 ONTARIO INC.	001243724
LAGINHA ENTERPRISES LTD.	000379422	1570259 ONTARIO LTD.	001570259
LEALCORP HOLDINGS INC.	000463339	2055448 ONTARIO INC.	002055448
NAILADY LIMITED	000527622	2055502 ONTARIO INC.	002055502
NORTH AMERICA KVDON INTERNATIONAL INVESTING DEVELOPMENT CO., LTD.	001708990	2066366 ONTARIO INC.	002066366
NOTABLE PROPERTIES INC.	000582164	792727 ONTARIO INC.	000792727
NT CENTURY INC.	001557441	869106 ONTARIO LIMITED	000869106
OVERTIMESHARE.COM INC.	002041607	2008-04-17	
SAM CONSULTANTS (CANADA) INC.	001437973	AUTOMATED LITIGATION INC.	001465773
SAWDON'S FURNITURE AND APPLIANCE CENTRE LIMITED	000201811	BIR TRUCK LINE INC.	001542326
		DIGITAL CAPSULE MEDIA INC.	001251852
		G.H.S. TRANSPORT INC.	001407795
		GMA TRANSPORT CORPORATION	001574869
		HANDYMAN SHOP AND BUILDING SUPPLIES LIMITED	000207807

Name of Corporation: Dénomination sociale de la société:	Ontario Corporation Number Numéro de la société en Ontario
HUCKLE HOLDINGS INC.	002038225
M & M TRUCKING LTD.	001548035
NAMDEV GOLDEN TRUCKING INC.	002073252
NEW R.P. TOWING & STORAGE LTD.	002084400
TD APPLIANCES SERVICE CENTRE LTD.	002039996
1478201 ONTARIO INC.	001478201
1547149 ONTARIO INC.	001547149
1559820 ONTARIO INC.	001559820
1569466 ONTARIO INC.	001569466
1611047 ONTARIO INC.	001611047
669837 ONTARIO LTD.	000669837

M. KALSBECK
Director, Companies and Personal Property
Security Branch
Directrice, Direction des compagnies et des
sûretés mobilières

(141-G187)

Marriage Act Loi sur le mariage

Apr 14-18

CERTIFICATES OF TEMPORARY REGISTRATION as person authorized to solemnize marriage in Ontario have been issued to the following:

LES CERTIFICATS D'ENREGISTREMENT TEMPORAIRE autorisés des mariages en Ontario ont été délivrés aux suivants:

NAME	LOCATION	EFFECTIVE DATE
Hildebrandt, Heinrich April 17, 2008 to April 21, 2008	Aylmer, ON	14-Apr-08
Lapointe, Marc May 07, 2008 to May 11, 2008	Bonita, CA	14-Apr-08
Vander Kooi, Joel Alan May 08, 2008 to May 12, 2008	Calgary, AB	14-Apr-08
Evans, Calvin D. July 24, 2008 to July 28, 2008	Wasaga, ON	14-Apr-08
Johnson, Jason May 01, 2008 to May 05, 2008	Surrey, B.C.	16-Apr-08
Call, Beverly May 15, 2008 to May 19, 2008	Edmonton, AB	16-Apr-08

JUDITH M. HARTMAN,
Deputy Registrar General/
Registraire générale adjointe de l'état civil

(141-G188)

Change of Name Act Loi sur le changement de nom

NOTICE IS HEREBY GIVEN that the following changes of name were granted during the period from April 14, 2008 to April 20, 2008 under the authority of the *Change of Name Act*, R.S.O. 1990, c.c.7 and the following Regulation RRO 1990, Reg 68. The listing below shows the previous name followed by the new name.

AVIS EST PAR LA PRÉSENTE donné que les changements de noms mentionnés ci-après ont été accordés au cours de la période du 14 avril 2008 au 20 avril 2008, en vertu de la *Loi sur le changement de nom*, L.R.O. 1990, chap. C.7, et du Règlement 68, R.R.O. 1990, s'y rapportant. La liste indique l'ancien nom suivi du nouveau nom.

PREVIOUS NAME	NEW NAME
ALMEMOU, REFAAT.	ALMEMOU, JOHN.
ANTHONY PILLAI,	ANTON THURAINAYAGAM,
JESLIN.SUGITHA.	JESLIN.SUGITHA.
ANWAR, AMINA.	SUNDERJI, AMINA.
AO-IEONG, RENFREW.	TCHONG, RENFREW.
ARBUCKLE, JENNIFER.ELLEN.	TORRENS, JENNIFER.ELLEN.
ASGHAR, ZAINEB.	ZIMMERMAN, ZAINEB.
ASMANIWALA,	ASMANI,
DIMPLE.GAUTAM.	DIMPLE.GAUTAM.
ASMANIWALA,	ASMANI,
GAUTAM.RAMESHCH.	GAUTAM.RAMESHCH.
ASMANIWALA,	ASMANI,
HESSA.GAUTAM.	HESSA.GAUTAM.
BACKS, JOAN.EDNA.	MEGILL, JOAN.EDNA.MARY.
BARKER,	ERRYGERS,
SHELBY.DANIELLE.	SHELBY.DANIELLE.
BARTON, DEREK.	BARTON,
MARC-ANTOINE.CÉDÉRIK.	DEREK.PETER.ANTOINE.
BATH, LISA.MAUREEN.	DUDHNATH, LISA.MAUREEN.
BEAUDOIN,	BEAUDOIN,
GISELE.JOCELINE.	JOCELYNE.GISELE.
BEDARD, MARIANNE-ANTOINETTE.	SOWINSKI, MARIANNE-ANTOINETTE.
BEECHEY, WAYNE.EDWARD.	HURKENS, WAYNE.EDWARD.
BELANGER,	BELANGER,
MARIE.JACQUELINE.	MICHELLE.JACQUELINE.
BENNETT,	HARRISON,
SASHAWNA.CHANTE.	SASHAWNA.CHANTÉ.
BHARATH,	VAN STEENBERGEN,
ALEX.	ALEXANDER.
BHULATAN, CAROL.	GONCALVES, CAROL.
BIALOBOZYCHI,	BARLOW,
LEWIS.LAMBERT.PACKARD.	LEWIS.LAMBERT.
BIGGS, GAVIN.COLE.	BARTLETT, GAVIN.COLE.
BIGGS, HAYLEY.NICOLE.	BARTLETT, HAYLEY.NICOLE.
BILLER,	PEACE, PRINCESS.
BRENDA.	THINK.POSITIVE.
BLAIR, DESTINY.ANN.	ANDREWS, DESTINY.ANN.
BLASSNITZ, LOTTE.	FRENSEL, LOTTIE.
BONNER, DONALD.	BONNER-DAVIDSON,
EDWARD.WAYNE.	DONALD.EDWARD.WAYNE.
BOODRAM, SAMEENA.LISA.	JEFFERSON, SAMEENA.LISA.
BOYD-RAYNER, DEIRDRE.	BOYD, DEIRDRE.
BRUNN, MICHELLE.MARIE.	GOODSON, MICHELLE.MARIE.
BUFFAM-ELVINS,	ELVINS, ALEXANDER.
ALEXANDER.SCOTT.	SCOTT.BUFFAM.
BURKHART, RACHEL.RUTH.	BRANIFF, RACHEL.RUTH.
CAI,	HEPBURN,
LINDSAY.ELIZABETH.	LINDSAY.ELIZABETH.
CAMPBELL,	BLACK,
MATTHEW.WALLACE.	GARRETT.
CAMPEAU,	CAMPEAU, MADELEINE.
MARIE.MADELAINE.	MARIE.ELLEN.
CHAN,	CHAN, MARIANA.
KWAN.HING.	KWAN-HING.
CHAN, NGA.SHAN.	CHAN, NGA.SHAN.NATALIE.
CHAN, NGA.YIN.	CHAN, LESLIE.NGA.YIN.
CHEN, WEI.HENG.	CHEN, TRACY.WEIHENG.
CHENG, HIU.YING.	CHENG, KAREN.HIU.YING.
CHIROKOVA, MARIA.	CHERKASOVA, MARIA.
CHMIEL, ASHLEY-ANNE.	BOSNJAK,
BOSNJAK.	ASHLEY.
CHONG, MAY.SIO.	CHONG, MAY.SUE.
CHUNG LIN CHEUNG,	CHUNG,
DESMOND.RYAN.	DESMOND.RYAN.
CLAGUE, BRIAN.BARTON.	MOORE, BRIAN.B.
COOK, GARRY.MILBURN.	COOK, GARY.MILBURN.
COTTLE, JOSEPH.ANTHONY.	COTTELI, IUSEPPE.ANTONIO.
CRUICKSHANK-LONDON,	CRUICKSHANK, SHARRESSE.
SHARRESSE.VALERIE.YULONDA.	VALERIE.YULONDA.

PREVIOUS NAME	NEW NAME	PREVIOUS NAME	NEW NAME
CUI, ZHI.QIN.	LEE, JENNY.ZQ.	HUYNH, BOISUONG.	HUYNH, BONNIE.
DADGAR, SHARAREH.	DADGAR, SHERRY.	IHARRATANE,	IHARRATANE,
DEBENE, JOSEPH.PAUL.	DABENE, JOSEPH.PAUL.	KACY.KAMILA.	KAMILA.AHMED.
DECKER,	EINARSSON-LEPAGE,	IHARRATANE,	IHARRATANE,
SAMANTHA.VICTORIA.	SAMANTHA.VICTORIA.	KELLY.KALILA.	KALILA.AHMED.
DELAL, FATUMA.SHIFA.	DELAL, NADIYA.SHIFA.	ISTASY, PAULA.	ISTASY, PAUL.
DESORMEAUX,	YOUNG,	VICTOR.FAYEZ.	VICTOR.FAYEZ.
KYLEAN.JUDITH.HOPE.	KYLEAN.JUDITH.AMAYA.	JAMES-HAYDEN,	HAYDEN-JAMES,
DHALIWAL, RUPINDER.KAUR.	DHALIWAL, RUBY.	JENILE.ALEXANDRA.	JENELLE.ALEXANDRA.
DOIRON, DAVID.ERIC.JOSEPH.	GOULD, DAVID.ERIC.JOSEPH.	JAMES-ORLEANS, HERMION.	NELSON, HERMION.
DOYON,	GRATTON,	JAYASRIKANTHAN,	ARAVINTHAN,
MARIE.DIANE.CÉLINE.	MARIE.DIANE.CÉLINE.	DHARSHINI.	DHARSHINI.
DUREAULT,	LIGHTFOOT,	JEYAKUMAR, RAJINI.	THANABALASINGAM, RAJINI.
COLE.BRADLEY.JAMES.	COLE.BRADLEY.JAMES.	JOCKO, JOSEPH.BARRY.	ROSS, BARRY.JOHN.
DUREAULT,	LIGHTFOOT,	JOWETT, LISA.ANN.	SHIRLEY, LISA.ANN.
SHAYLYN.BRIANNA.	SHAE-LYNN.BRIANNA.	JUDD, MELISSA.MARIE.	DAOUST, LISSA.MARIE.
DUREAULT,	LIGHTFOOT,	KAINAUR, PREETINDER.KAUR.	BOPARAI, PREET.KAUR.
TAYLOR.BRITTANY.	TAYLOR.BRITTANY.	KALRA, BUL-BUL.	KALRA, JASMINE.
ELANKESWARY,	THILLAINATHAN,	KANAKALINKAM, JEJALENEE.	KANAGALINGAM, YALINI.
THILLAINATHAN.	ELANKESWARY.	KANAKALINKAM,	KANAGALINGAM,
ELECKO, AMANDA.RACHEL.	DUTCHER, AMANDA.RACHEL.	JEYAKARAN.	JEYAKARAN.
FAIRLIE,	LAM,	KANDOLA, DAVINDERJIT.KAUR.	BRAR, DEE.
ALEXANDRA.ASHLEY.	ALEXANDRA.ASHLEY.	KARIMTHAKARACKAL,	CHERIAN,
FAIRLIE, AMANDA.CAITLIN.	LAM, AMANDA.CAITLIN.	SICILY.CHERIAN.	SICILY.K.
FAROOQ, MIR.UMAR.	MIR, UMAR.FAROOQ.	KIM, HYUN.DO.	KIM, TIM.HYUNDO.
FARR, LOUISE.ANN.	VANZEYL, LOUISE.ANN.	KRYGSMAN,	DESJARDINE,
FATODU,	ESHO,	KRISTOPHER.WILLIAM.	KRISTOPHER.WILLIAM.
OLUROPO.OREOLUWA.	OLUROPO.OREOLUWA.	KUZMICH,	PRICE,
FLORA, VICKY.	RATTAN, VICKY.	JONATHAN.CHARLES.	JONATHAN.CHARLES.
FOLTS,	FOLTS,	LAFRANCE,	LAFRANCE,
MARIE.FLORIDA.HELLEN.	HELEN.FLORIDA.MARIE.	JOSEPH.MAREI.EDGAR.GIL.	GILLES.EDGAR.
FRUCK, MADISON.EMILY.	DREW, MADISON.EMILY.	LANDRY,	VANVELDEN,
GHANI,	QIDWAI,	MICHAEL.DAVID.	MICHAEL.DAVID.
MUHAMMAD.USMAN.	MUHAMMAD.USMAN.GHANI.	LANE, STEVEN.JAMES.	ARRAND, STEVEN.JAMES.
GIRARD, KELLY.DIANE.	OOLO, KELLY.DIANE.	LAPINOVA, SONA.	LAPIN, SONYA.NATALIE.
GIROUX, JOAN.OF.ARC.	GIROUX, JEANNE.D'ARC.	LARTEY,	NANA-NYARKO,
GODFREY, DAVID.JAMES.	GODFREY, JAMES.DAVID..	DANIEL.	KWABENA.ANTWI.
GORDON, ANNETTE.THERESA.	PURKIS, ANNETTE.THERESA.	LAURIER, DANIELLE.	ROZON, DANIELLE.
GORJI-ZADEH, MANDANA.	MATTIN, MANDANA.	LAWROW,	NEWBATT,
GOULET,	GOULET,	ALAINA.MARGARET.	ALAINA.MARGARET.
CHRISTINE.JANE.	PIERRETTE.CHRISTINE.JANE.	LEE, WAN.YING.	LEE, SANDY.
GOXHAI, LIDA.	MPAKOLAS, LIDA.	LEE, YOU.LIM.	LEE, EULIM.CLAIRE.
HAGAN, EIRIKUR.	HAGAN, ERIC.	LEGACY,	SHANNON,
HAIDER, SYEDA.SADAF.	ZEHRA, SYEDA.SADAF.	MARY.AGNES.	CHARLENE.MARY.AGNES.
HALE, JAMES.CHARLES.	BLAKE, JAMES.CHARLES.	LEON, STEVEN.	CHALLENGER, STEPHEN.
HAN, YU.SONG.	HAN, BILL.	HEAVER.RAYMOND.	HEAVER.RAYMOND.
HARKNESS, ASHLEY.LYNN.	PEARSALL, ASHLEY.LYNN.	LEVAC, BRYMO.ARCHILL.	LEVAC, BRIMO.ACHILLE.
HARWOOD,	HARWOOD-PURCELL,	LI, JASON.CHING.DAT.	WU, JASON.CHING.DAT.
BRIAN.DAVID.SHAWN.	BRIAN.DAVID.SHAWN.	LI, JING.	LEE, COCO.
HATTON, LINDSEY.ERIN.	RACZKOWSKI, LINDSEY.ERIN.	LI, TIANYI.	LI, JOSHUA.JIAN.YU.
HEICKERT, COLE.RYAN.	MURRAY, COLE.RYAN.	LIN, CHIA-YING.	LIN, CHARIN.CHIA-YING.
ROBERT.JAMES.	ROBERT.JAMES.	LIU, AISHAN.	LAU, JANDY.
HINN, JASMINE.	REID, JASMINE.	LIU, BAI.CHENG.	LAU, PACO.
PEARL.GRACE.	PEARL.GRACE.	LO, WING.SHAN.	LO, CONNY.
HOLMES, LOGAN.ROBERT.	MARSHALL, LOGAN.ROBERT.	WINSAN.CONNY.	WINSAN.
HOLMES-MAKCROW,	HEUS,	LUONG, HOANG.OANH.	LUONG, KAREN.
KATHERINE.LEE.	KATHERINE.LEE.	MALAK, DORAYD.JAN.JIRJ.	BULIS, DORAYD.
HOVANESSIAN,	MC NEILL,	MALAK, LENDA.JAN.JIRJI.	BULIS, LINDA.JAN.JIRJI.
PAMELA.ANNE.	PAMELA.ANNE.	MARSHALL, YVONNE.CELIA.	LIGHTFOOT, YVONNE.CELIA.
HUNT, SHAUGHN.	HUNT, SHAUGHNA.	MARUDENKO, ELENA.	MARUDENKO, LOLITA.
KATHLEEN.	KATHLEEN.	MARWOOD, DUSTY.ANN.	BELANGER, DUSTY.ANN.
HUPPE, AMANDA.	CALLAWAY, AMANDA.	MATHAI, NEENA.MERIN.	AUGUSTINE, NEENA.MERIN.
KATHERINE.ROSE.	KATHERINE.ROSE.	MAVRETICH, LARRY.NICK.	MAVRETIC, LARRY.NICK.
HUPPE, JACOB.	CALLAWAY, JACOB.	MC CALL, LINDSAY.PATRICIA.	RABBA, LINDSAY.MC.CALL.
ALLAN.NELSON.	ALLAN.NELSON.	MCLAUCHLAN,	BASSETT-GENDRON,
HUPPE,	CALLAWAY,	SUSAN-MARIE.LYNN.	SUSAN-MARIE.LYNN.
JACQUELINE.RUTH.	JACQUELINE.RUTH.	MIAO, ZHENG.	MIAO, EMILY.
HUPPE,	CALLAWAY,	MIHELICIC, LAURIE.ANN.	BUMSTEAD, LAURIE.ANN.
WINSTON.ALEXANDER.JOHN.	WINSTON.ALEXANDER.JOHN.		

PREVIOUS NAME	NEW NAME	PREVIOUS NAME	NEW NAME
MILLER, PAYTON.MCKENZIE.	MCCORRISTON, PAYTON.MCKENZIE.	RYMAREK, ANNA.	RYMAREK-ORMANCZYK, ANNA.
MISTRY, KINJAL.PRAVINBHAI.	PRAJAPATI, KINJAL.TEJAS.	SALAMIORIZI, KAVEH.	ORIZZI, KEVIN.ROBERTO.
MO, OI.YAN.	MO, ALISON.OI.YAN.	SAMOTEJ, CHRISTINA.	SAMOTEJ, KRYSZYNA.
MOHAMMADI-ALASVAND, SHIVA.	ALASVAND, SHIVA.	SAMSON, RACHEL.LOUISE.	EDMONSTONE, RACHEL.LOUISE.
MONDING, ETHEL.BALUCAN.	MONDING-SALENGA, ETHEL.BALUCAN.	SATHIVEL, MONOKUMAR.	SATHIVEL, MANOKUMAR.
MONIZ-JEDLICKA, ARIANNE.LILY.	JEDLICKA, ARIANNE.LILY.MONIZ.	SCHOURES, KIMBERLY.ROSE.	CIANTAR, KIMBERLY.ROSE.
MOORE, LINNEA.MARIE.	REID, LINNEA.MARIE.	SEYEDI-RASHTI, SEYED-REZA.	MATTIN, REZA.
MORIN, KALA.ELIZEBETH.	MORIN, KAYLA.ELIZABETH.	SEYEDIRASHTI, SEYED- ARASH.	MATTIN, ZACKARY.ARASH.
MOZAFFARIDOUST, KAMI.	DOUST, KAMI.	SHAREEF, PERRY.MOHAMED.	SHAREEF, PEER.MOHAMED.
MOZAFFARIDOUST, KEVIN.	DOUST, KEVIN.	SHEIKHOESLAMI, KAVOS.	ARRAN, KAVOS.
MOZAFFARIDOUST, YASMIN.	DOUST, YASMIN.	SINGH, DEVIKA.	RAMPARTAB, DEVIKA.
MUBANGA, JOSEPH.KASONDE.	WILLIAMS, JOSEPH.MUBANGA.	SINGH, GURJEET.	ATHWAL, GURJEET.SINGH.
NAN, MU.FEI.	NAN, MURPHY.UEH.	SINGH, HARDEEP..	GILL, HARDEEP.
NARAYANAN, ALAGAPPAN.	ADAIKAPPAN, ALAGAPPAN.	SMITH, THOMAS.ARTHUR.	NICHOLSON, THOMAS.ARTHUR.
NAVARATNARAJAH, SHABEETHA.	SATHEESWARAN, SHABEETHA.	ST DENIS, MADELEINE.ALINE.	ST DENIS, ALINE.CLARA.
NEFEDOVA, NADEZDA.	MACLEAN, NADINE.VALENTINA.	STECKLY, WILBUR.	STECKLY, WILLIAM.JAMES.
NEOUTCHEV, IOURI.	NEUCHEV, YURI.	STOJANOVSKA, SLAVICA.	IGNJATOVA, SLAVICA.
NESRALLAH, ANTONETTE.	DANIELS, ANTONETTE.	STOJANOVSKI, DANIEL.	IGNJATOV, DANIEL.
NEVENTSEL, ILANA.	THOUIN, ILANA.	STRATHEARN, JAMES.	HAGGARTY, JAMES.
NGODUP, NGODUP.	NGODUP, TENZIN.	STRIFLER, GEORGE.MICHAEL.	STRIFLER, MICHAEL.
NICHOL, TIMOTHY.JAMES.	DAVIS, TIMOTHY.JAMES.	SUBZWORI, NAILA.AKRAM.	SABZWARI, NAILA.
NICHOLSON, KEVIN.JOHN.	BAILEY, KEVIN.JOHN.	SYED, MOHAMMAD.SALMAN.	SYED, SALMAN.MOHAMMAD.
NNAMONU, CHINWE.KATE.	UCHENDU, CHINWE.KATE.	TAMENE WOLDEGIORGIS, WONDWOSSEN.	TAMENE, WONDWOSSEN.
O'CONNELL, JESSICA.CYNTHIA.	LESLIE, JESSICA.CYNTHIA.	THEORET, MARIE.LYNN.	THEORET, LINDA.EUGENIE.
O'RILEY, PATRICK.EDWARD.	O'REILLY, PATRICK.EDWARD.	THOMPSON, EMLEY.IRENE.	THOMPSON, EMILY.IRENE.
OPALA, TAMMY.DOREEN.	FOSTER, TAMMY.DOREEN.	THURISAMY, JOSEPH.PATHMANATHAN.	DUR AISAMY, PATHMANATHAN.JOSEPH.
OPPERMAN, DENISE.ANNE.	JACKSON, DENISE.ANNE.	TKACHYK, TEODOR.MICHAEL.	TKACHYK, TEODORE.MICHAEL.
ORDYS-MACIEJEWSKA, AGNIESZKA.MONIKA.	MACIEJEWSKA, AGNIESZKA.MONIKA.	TOMLINSON, GILROY.ANTHONY.	MILLER, GILROY.ANTHONY.
PALANI, AMIR..	PALANI, SHORSH.KURD.	TOMS, ALISON.KATHERINE.	TOMS, ALYSON.KATHERINE.
PANNU, RAJ.GURWINDER.	PANNU, SIMRAN.	TORANGEAU, CAMERON.	BELORE, CAMERON.
PARKER, EDWARD.ANDREW.	YERKIE, EDWARD.ANDREW.	MATTHEW.LEGGAT.	MATTHEW.
PATEL, DISHABEN.	PATEL, DISHABEN.	VAN DEN HEUVEL, BRIDGET.HEATHCOTE.ROSE.	DAVIE, BRIDGET. HEATHCOTE.ROSE.
HARISHBHAI.	KIRANKUMAR.	VELUPPILLAI, SANJITH.	THEVAKUMAR, SANJITH.
PATHMANATHAN, RAJASOORIYAR.	PATHMANATHAN, BERNARD.RAJASOORIAR.	VILNEFF, FREDRICK.WAYNE.	MILLS, FREDRICK.WAYNE.
PECHOLCS, SHAYLAN.HENRY.ALBERT.	VILLENEUVE, SHAYLAN.HENRY.ALBERT.	VINCER, SUSAN.ANN.	DAMPIER, SUSAN.ANN.
PENIC, JOHN.WALTER.	PENICH, JOHN.WALTER.	WANG, ALLEN.	CLARK, ALLEN.WANG.
PERSAUD, NANDRANIE.	PERSAUD, SUSAN.	WANG, GUANG.WEI.	WANG, JANE.GUANG.WEI.
PEZOULAS, NICOLE.	SAIKALY, NICOLE.	WASTELL, ELSA.MARIE.	MCPHERSON, ELSA.MARIE.
PHAM, KHA.VU.	VU, KHA.PHAM.	WU, BING.YUE.	WU, BELINDA.
PHELAN, CRYSTAL. ELIZABETH.	PHELAN-ANDERSON, CRYSTAL.ELIZABETH.	WU, RAYMOND.	ZHENG-WU, RAYMOND.FONTAINE.
PHUN, TRI.LUAT.	PHUN, MICHAEL.TRI.LUAT.	WU, YUAN.YANG.	WU, JUSTIN.
PLANTE, MARY.MAY.GLORIA.	BOOK, GLORIA.	YANG, JI.HO.	YANG, ANDREW.JH.
POWER, JONATHAN.PAUL.	SPENCER, JONATHAN.PAUL.	YANG, JI.HOON.	YANG, DAVID.JH.
POWER, LISA.MARIE.	PARISANI, LISA.MARIE.	YEYLAGH, GHOLAM.REZA.TAHERI.	TAHERI, HAL.GHOLAM.
PURCELL, GREGORY.JOSEPH.	HARWOOD-PURCELL, GREGORY.JOSEPH.	YOU, LU.YUN.	YOU, ALICE.LUYUN.
QUINTON, BRYAN.CYRIL.	PANDOLFI, BRYAN.CYRIL.	YOUNG, BLANCA.MELISSA.	YOUNG, MELISSA.
RADOJA, DEJAN.	RADOJA, DAN.DEJAN.	ZHANG, JIE..	YAO, NANCY.
RASATHURAI, SURESAN.	RASATHURAI, JOSHUA.SURESAN.	ZHANG, MENG.	WANG, MICHELLE.
RAWSON, LAURA.EMILY.	RAWSON, LORA. LOUISE.MARGUERITE.	ZHANG, PENG.	ZHANG, PAMELA.PENG.
REID, MARGARET.DORETTA.	REID, DORETTA.MARGURITTE.	ZHANG, YAOUYUAN.	ZHANG, TONY.YAOUYUAN.
RUIZ, ANN.	DE LEON, ANN.	ZHANG, ZHE.	ZHANG, JENNIFER.ZHE.
MARIEL.MATA.	MARIEL.MATA.	ZHOU, XIN.YANG.	ZHOU, XINYANG.YOUNG.
		ZHU, RENZHE.	CHU, AMY.R.Z.

JUDITH M. HARTMAN,
Deputy Registrar General/
Registraire générale adjointe de l'état civil

Foreign Cultural Objects Immunity from Seizure Act Determination

Pursuant to delegated authority and in accordance with subsection 1(1) of the *Foreign Cultural Objects Immunity from Seizure Act*, R.S.O. 1990, c.F.23, the works of art or objects of cultural significance listed in Schedule "A" attached hereto, which works or objects are to be on temporary exhibit during *The 1930s: The Making of "The New Man"* exhibition at the National Gallery of Canada in Ottawa pursuant to loan agreements between the National Gallery of Canada and the lenders listed in the attached Schedule "A", are hereby determined to be of cultural significance and the temporary exhibition of these works or objects in Ontario are in the interest of the people of Ontario.

Date: April 22, 2008

Determined by: Steven Davidson, Assistant Deputy Minister, Ministry of Culture

SCHEDULE "A"
THE 1930s: THE MAKING OF "THE NEW MAN"
NATIONAL GALLERY OF CANADA

	LENDER	ARTIST	TITLE	DATE	MEDIUM	DIMENSIONS	LENDER No
1	Aargauer Kunsthaus Aarau Switzerland	Arp, Hans	Sculpture de silence - Corneille	1942	Plaster	28.5 x 31.5 x 26 cm	S3285
2	Private Collection Conches-Genève Switzerland	Ernst, Max	Fireside Angel	1937	Oil on canvas	114 x 146 cm	n/a
3	Akademie der Künste Berlin, Germany	Heartfield, John	Zwangslieferantin von Menschenmaterial! Nur Mut! Der Staat braucht Arbeitslose und Soldaten!	n/a	Gelatin silver photomontage	51.5 x 39 cm	JH 514
4	The Art Institute of Chicago Chicago, Illinois, U.S.A	Kertész, André	Untitled, (Distortion # 117)	c. 1932- 33	Gelatin silver print	59.94 x 44.2 cm	1994.870
5	Berlinische Galerie, Landesmuseum für Moderne Kunst Fotografie und Architektur Berlin, Germany	Schlichter, Rudolf	Blinde Macht	1937	Oil on canvas	179 x 100 cm (unframed); 187 x 107 x 3.5 cm (framed)	BG-M 1984/79
6	Blumenfeld, Yorick Cambridge, England	Blumenfeld, Erwin	Hitler	1934	Gelatin silver print with applied colour	34 x 26.7 cm	n/a
7	Brescia, Gallerie d'Arte Moderna e Contemporanea Brescia, Italy	Wildt, Adolfo	<i>Ritratto di Benito Mussolini</i>		Sculpture	90 x 145 x 70 cm	S7
8	Buck, Gerald E. Laguna Hills, California U.S.A.	Lundeberg, Helen	<i>Plant and Animal Analogies</i>	1933-34	Oil on celotex	60.96 x 76.2 cm (unframed); 81.28 x 96.52 cm (framed)	1257
9	Carnegie Museum of Art Pittsburgh, Pennsylvania U.S.A.	Albright, Ivan	<i>Among Those Left</i>	1928- 1929	Oil on canvas	185.4 x 91.4 cm (unframed); 203.2 x 109.2 cm (framed)	49.24
10	Centraal Museum Utrecht, Netherlands	Koch, Pyke	<i>Portrait of Asta Nielsen</i>	1929	Oil on canvas	95.5 x 80 cm; 107 x 92 cm (framed)	28004
11	Centre Pompidou Paris, France	Brauner, Victor	<i>Anatomie du désir</i>	1935	Pencil, China and color ink washed on paper	64.1 x 48.6 cm	AM 1974-45
12	Centre Pompidou Paris, France	Brauner, Victor	<i>Anatomie du désir</i>	1935	China ink and wash on paper	65.5 x 50 cm	AM 1974-46

	LENDER	ARTIST	TITLE	DATE	MEDIUM	DIMENSIONS	LENDER No
13	Centre Pompidou Paris, France	Brauner, Victor	<i>Anatomie du désir</i>	1936	Ink and watercolor on paper	65.1 x 50.1 cm	AM 1974-52
14	Centre Pompidou Paris, France	Brauner, Victor	<i>Anatomie du désir</i>	1936	Ink and watercolor on paper	65 x 50.1 cm	AM 1974-53
15	Centre Pompidou Paris, France	Kandinsky, Vassily	<i>Entassement réglé</i>	1938	Oil and enamel (Ripolin) on canvas	116 x 89 cm	AM 1976-861
16	Centre Pompidou Paris, France	Music, Zoran	<i>Dachau</i>	1945	Ink on paper	31.7 x 21.6 cm	AM 1995-330
17	Centre Pompidou Paris, France	Music, Zoran	<i>Dachau</i>	1945	Ink on paper	20.8 x 31.4 cm	AM 1995-332
18	Centre Pompidou Paris, France	Music, Zoran	<i>Dachau</i>	1945	Ink on paper	21.7 x 32 cm	AM 1995-334
19	Centre Pompidou Paris, France	Music, Zoran	<i>Dachau</i>	1945	Coloured pencil on paper	21.5 x 29.9 cm	AM 1995-337
20	Centre Pompidou Paris, France	Pirandello, Fausto	<i>Interno di mattina</i>	1931	Oil on canvas	178 x 151 cm	AM 1979-253
21	Civico Museo d'Arte Contemporanea Civiche Raccolte d'Arte Antica e Moderna Milan, Italy	Dottori, Gerardo	<i>Il Duce</i>	1933	Oil on canvas	101 x 106 cm (unframed); 110.7 x 116 x 5 cm (framed)	n/a
22	Private Collection, Courtesy Claudia Gian Ferrari Milan, Italy	Martini, Arturo	<i>La Nena</i>	c. 1930	Terracotta sculpture	51 x 33 x 33 cm	n/a
23	Private Collection, Courtesy Claudia Gian Ferrari Milan, Italy	Sironi, Mario	<i>Female figure with a book and a machine gun</i>	1936-38	Tempera on paper (laid on canvas)	262 x 182 cm	n/a
24	Private Collection, Courtesy Claudia Gian Ferrari Milan, Italy	Sironi, Mario	<i>Composition monumentale avec statue équestre</i>	c. 1936	Mixed media on paper (laid on canvas)	182 x 197 cm	n/a
25	Private Collection, Courtesy Claudia Gian Ferrari Milan, Italy	Sironi, Mario	<i>La famiglia del pastore</i>	1929	Oil on canvas	167 x 210 cm (unframed); 184 x 239 cm (framed)	n/a
26	Collection Jakob & Chantal Bill Adligenswil, Switzerland	Ernst, Max	<i>Oeuf Mystérieux</i>	1935	Granite sculpture	71 x 43 x 30 cm	n/a
27	Deutsches Historisches Museum Berlin, Germany	Salinger, Ivo	<i>Das Urteil des Paris [The Judgement of Paris]</i>	1939 (before)	Oil on canvas	105 x 185 cm (unframed); 134 x 214 x 10 cm (framed)	GM 98/154
28	Deutsches Historisches Museum Berlin, Germany	Janesch, Albert	<i>Wassersport [Water Sport]</i>	1936	Tempera on canvas	153 x 208 cm (unframed); 162 x 216.5 x 8.5 cm (framed)	GM 98/254
29	Deutsches Historisches Museum Berlin, Germany	Martin-Amorbach, Oskar	<i>Im Tagewerk [Daily Work]</i>	1941 (before)	Oil on wood	110 x 205 cm (unframed); 113.5 x 218 x 8.5 cm (framed)	GM 98/361
30	Deutsches Historisches Museum Berlin, Germany	Wissel, Adolf	<i>Kalenberger Bauernfamilie [Kalenberg Farming Family]</i>	1939	Oil on canvas	150 x 200 cm (unframed); 167 x 217 x 8 cm (framed)	GM 98/641

	LENDER	ARTIST	TITLE	DATE	MEDIUM	DIMENSIONS	LENDER No
31	Deutsches Historisches Museum Berlin, Germany	Griebel-Zietlow, Ingrid	<i>Die Internationale</i>	1989, copy of 1929-1930 original	Oil on canvas	124 x 182 cm (unframed); 136 x 194 x 5.2 cm (framed)	Kg 89/29 (MfDG)
32	Deutsches Hygiene-Museum Dresden, Germany	Werkstätten des Deutschen Hygiene-Museums (The Deutsches Hygiene-Museum Workshop) after the original by Franz Tschackert	<i>Der Glaserne Mensch</i>	1995	Mixed media	208 x 100 x 70 cm	n/a
33	Fondation Arp Clamart, France	Arp, Jean	<i>Menschliche Konkretion</i>	1934	Plaster	22 x 36 x 30 cm	n/a
34	Fundació Joan Miró Barcelona, Spain	Miró, Joan	<i>Flama en l'espai í dona nua (Flame in space and naked woman)</i>	1932	Oil on cardboard	41 x 32 cm (unframed); 63.5 x 54.5 x 5.8 cm (framed)	FJM 4669
35	Galerie Alex Lachmann Cologne, Germany	Shaikhet, Arkadii	<i>Morning Gymnastics</i>	1927	Gelatin silver print	31.5 x 41 cm (unframed); 51 x 66 x 3 cm (framed)	n/a
36	Galerie Alex Lachmann Cologne, Germany	Shaikhet, Arkadii	<i>Young Sportsman</i>	1932	Gelatin silver print	24 x 18 cm (unframed); 36 x 29 x 1.8 cm (framed)	n/a
37	Private Collection, Galerie Cazeau-Béraudière Paris, France	Masson, André	<i>Extase</i>	1938 (cast 1988)	Bronze	94.5 x 61.4 x 34.8 cm	n/a
38	Galleria Civica d'Arte Moderna e Contemporanea Torino, Italy	Donghi, Antonio	<i>Battesimo</i>	1930	Oil on canvas	150 x 122 cm	Inv. P/1034
39	Galleria Comunale d'Arte Moderna e Contemporanea Rome, Italy	Gentilini, Franco	<i>Giovani in riva al mare</i>	1934	Tempera painting on canvas	162 x 130 cm (unframed); 165 x 133 x 3 cm (framed)	AM 1042
40	Galleria d'Arte Moderna e Contemporanea Bergamo, Italy	Sironi, Mario	<i>Il Grande Nudo</i>	1935	Tempera and charcoal	204 x 189 cm (unframed); 209 x 194 x 3.5 cm (framed)	
41	Galleria Nazionale d'Arte Moderna Rome, Italy	Pirandello, Fausto	<i>Pluie d'or</i>	c. 1933	Oil on wood	100.5 x 130 cm (unframed); 130.5 x 160 cm (framed)	9017
42	Private Collection, Courtesy Gallery Kicken Berlin, Germany	Lissitzky, El	<i>Lenin</i>	1930	Photomontage	25.9 x 21 cm (unframed); 50 x 40 cm (framed)	n/a
43	Gemeentemuseum Arnhem Arnhem, Netherlands	Koch, Pyke	<i>Mercedes de Barcelone</i>	1930	Oil on canvas	100 x 80 cm	n/a
44	Gemeentemuseum den Haag The Hague, Netherlands	Toorop, Charley	<i>Zelfportret met palet</i>	1932-1933	Oil on canvas	136 x 106 x 3.4 cm (framed)	0332836 (SCH-1948-0015)

	LENDER	ARTIST	TITLE	DATE	MEDIUM	DIMENSIONS	LENDER No
45	George Eastman House Rochester, New York U.S.A.	Heartfield, John	<i>DAS SPIEL DER NAZIS MIT DEM FEUER</i>	1935	Photogravure print, rephotographed montage with typography	38.5 x 26.5 cm	1976:0076:0007, NEG.24386
46	George Eastman House Rochester, New York U.S.A.	Heartfield, John	<i>HURRAH, DIE BUTTER IST ALLE!</i>	1935	Photogravure print, rephotographed montage with typography	38.4 x 26.7 cm	1976:0076:0025, NEG.24372
47	George Eastman House Rochester, New York U.S.A.	Heartfield, John	<i>DIAGNOSE</i>	c. 1935	Photogravure print, rephotographed montage with typography	38.4 x 26.3 cm	1976:0076:0027, NEG.24384
48	George Eastman House Rochester, New York U.S.A.	Heartfield, John	<i>NEUE ERFOLGE DER NAZIHEILKUNDE: SENF STATT KASE</i>	1935	Photogravure print, rephotographed montage with typography	38 x 26.6 cm	1976:0076:0028, NEG.24488
49	George Eastman House Rochester, New York U.S.A.	Heartfield, John	<i>O DU FROHLICHE, O DU SELIGE, GNADENBRINGEN DE ZEIT</i>	1935	Photogravure print, rephotographed montage with typography	38.3 x 26.6 cm	1976:0076:0029, NEG.24381
50	Hamburger Kunsthalle Hamburg, Germany	Dix, Otto	<i>Selbstbildnis</i>	1933	Silver point on prepared paper	51 x 41 cm (unframed); 58.2 x 69 cm (framed)	Inv. Nr. Hegewisch
51	Private Collection New York, New York U.S.A.	Dali, Salvador	<i>The City of Drawers (Study for "The Anthropomorphic Cabinet")</i>	1936	Pen and ink on gravure paper	32 x 41.5 cm (unframed); 60 x 70 cm (framed)	n/a
52	Hirshhorn Museum and Sculpture Garden Washington, District of Columbia, U.S.A.	Gonzalez, Julio	<i>Mask of Montserrat Screaming</i>	c. 1936-1939	Bronze	48.6 x 14.8 x 15.9 cm	66.2108
53	Hirshhorn Museum and Sculpture Garden Washington, District of Columbia, U.S.A.	Flannagan, John	<i>Triumph of the Egg</i>	1937 (cast 1941)	Cast stone on a cast stone base	31x 37.9 x 23.5 cm (base: 9.4 x 19 x 16.4 cm)	66.1912
54	Hirshhorn Museum and Sculpture Garden Washington, District of Columbia, U.S.A.	Siqueiros, David Alfaro	<i>Zapata</i>	1931	Oil on canvas	135.3 x 105.7 cm (unframed); 164.47 x 135.26 x 8.89 cm (framed)	66.4605
55	The Israel Museum Jerusalem, Israel	Masson, André	Goethe and the Metamorphoses of Plants	1940	Oil on canvas	99 x 142.3 x 5.2 cm	B03.0077
56	Ralph Jentsch Rome, Italy	Grosz, George	<i>Cain, or Hitler in Hell</i>	1944	Oil on canvas	99 x 126.5 cm (unframed); 109 x 136.5 cm (framed)	n/a
57	Kunsthalle Bielefeld Bielefeld, Germany	Strüwe, Carl	Aus der Serie Bau und Bewegungsformen: Schneckenzone als laufendes Rasperband (Nassa)	1928	Gelatin silver print	Approximately 52.7 x 43 cm	Carl Strüwe-Archive Nr. 1-030
58	Kunsthalle Bielefeld Bielefeld, Germany	Strüwe, Carl	Aus der Serie Werden kleiner Formen: Zellen menschlicher Haut, eine Kollektivform vorbereitend	1948	Gelatin silver print	Approximately 52.7 x 40 cm	Carl Strüwe-Archive Nr. 1-154

	LENDER	ARTIST	TITLE	DATE	MEDIUM	DIMENSIONS	LENDER No
59	Kunsthalle Bielefeld Bielefeld, Germany	Strüwe, Carl	Aus der Serie Bau und Bewegungsformen: Laderampen der menschlichen Blutbahn (Darmzotten mit Kapillargefäßen)	1930	Gelatin silver print	Approximately 52.7 x 43 cm	Carl Strüwe-Archive Nr. 1-65
60	Kunstsammlung Nordrhein-Westfalen Düsseldorf, Germany	Schlemmer, Oskar	<i>Gruppe am Geländer I</i>	1931	Oil on canvas	92.5 x 60.5 cm	1038
61	Kunstsammlung Nordrhein-Westfalen Düsseldorf, Germany	Ernst, Max	<i>Paysage au germe de blé</i>	1936	Oil on canvas	130.8 x 162.6 x 3 cm (framed)	0176
62	Leicester City Museums Services Leicester, East Midlands United Kingdom	Spencer, Stanley	<i>Adoration of Old Men</i>	1937	Oil on canvas	90.6 x 110.5 cm (unframed); 110.5 x 130.3 x 9.8 cm (framed)	L.F82.1964
63	Collection J. & C. Mairet Paris, France	Jannot, Henri	<i>L'homme à la charrue</i>	1937	Oil on canvas	97 x 137 cm (unframed) 105 x 145 cm (framed)	n/a
64	Private Collection New York, New York U.S.A.	Guston, Philip	<i>Bombardment</i>	1937-38	Oil on wood	117 cm diameter	n/a
65	The Menil Collection Houston, Texas, U.S.A.	Brauner, Victor	<i>Petite Morphologie</i>	1934	Oil on canvas	64.5 x 45.4 cm	78-039E
66	Metropolitan Museum of Art New York, New York U.S.A.	Sander, August	<i>Arbeitslos</i>	1928	Gelatin silver print	23 x 17 cm	1991.1232
67	Metropolitan Museum of Art New York, New York U.S.A.	Balthus	<i>Thérèse</i>	1938	Oil on cardboard mounted on wood	103 x 83 cm (unframed); 121.9 x 102.2 x 8.3 cm (framed)	1987.125.2
68	Mugrabi Collection New York, New York USA	Schad, Christian	<i>Portrait of Eva von Arnheim</i>	1930	Oil on canvas	41.3 x 31.8 cm	n/a
69	Musée d'Art Moderne de la Ville de Paris Paris, France	Masson, André	<i>Sous-titre (Portrait-charge de Franco)</i>	c. 1938-39	Pen and China ink on laid paper	47.5 x 37 cm	AMVP 30 89
70	Museo del Palacio de Bellas Artes Mexico City, Mexico	Rivera, Diego	<i>Révolution russe ou troisième internationale</i>	1933	Oil on canvas	68 x 138 cm	16131 MBA
71	Musée des Années 30 Boulogne-Billancourt France	Souverbie, Jean	<i>La Terre</i>	1935	Oil on canvas	210 x 350 cm (unframed); 216 x 358 cm (framed)	97-1-1
72	Musée des Années 30 Boulogne-Billancourt France	Rohner, Georges	<i>Le noyé</i>	1939	Oil on canvas	65 x 81 cm (unframed); 71 x 87 cm (framed)	98-19-1
73	Musée des Années 30 Boulogne-Billancourt France	Yencesse, Hubert	<i>La nageuse</i>	1936	Plaster	184 x 76 x 47 cm	95-24-1
74	Musée de la Résistance Nationale Paris, France	Taslitzky, Boris	<i>Le petit camp</i>	1945	Watercolor on paper	21.2 x 31.1 cm	n/a

	LENDER	ARTIST	TITLE	DATE	MEDIUM	DIMENSIONS	LENDER No
75	Museo di arte moderna e contemporanea di trento e rovereto Rovereto, Italy	Chirico, Giorgio de	<i>Due figure mitologiche</i>	1927	Oil on canvas	130.5 x 162 cm	Mart 2162
76	Museo di arte moderna e contemporanea di trento e rovereto Rovereto, Italy	Crali, Tullio	<i>Incuneandosi nell'abitato</i>	1939	Oil on canvas	130 x 155 cm	Mart 2486
77	Museo di arte moderna e contemporanea di trento e rovereto Rovereto, Italy	Sironi, Mario	<i>Condottiero a cavallo</i>	1934-35	Oil on canvas	290 x 275 cm	Mart 2486
78	Museo di arte moderna e contemporanea di trento e rovereto Rovereto, Italy	Thayaht, Ernesto Michahelles	<i>Condottiero (Dux con pietra miliare)</i>	1929	Stone and iron	153 x 50 x 29 cm	Mart 221
79	Museo di arte moderna e contemporanea di trento e rovereto Rovereto, Italy	Martini, Arturo	<i>Donna al sole</i>	1930	Bronze	40 x 150 x 65 cm	Mart/Pat 063106
80	Museo Nacional Centro de Arte Reina Sofia Madrid, Spain	Picasso, Pablo Ruiz	<i>Estudio de composición(V)</i>	1937	Graphite and oil on plywood	60 x 73 cm	DE00062
81	Museo Nacional Centro de Arte Reina Sofia Madrid, Spain	Velasco Belausteguigoitia, Rosario de	<i>Adán y Eva</i>	1932	Oil on canvas	109 x 134 cm	AS00614
82	Museo Nacional Centro de Arte Reina Sofia Madrid, Spain	Ponce de Leon y Cabello, Alfonso	<i>Accidente</i>	1936	Oil on canvas	160 x 190 cm	AS00745
83	Museo Thyssen-Bornemisza Madrid, Spain	Schad, Christian	<i>Portrait of Dr. Haustein</i>	1928	Oil on canvas	80.5 x 55 cm	733 (1979.57)
84	Museum Boijmans van Beuningen Rotterdam, Netherlands	Koch, Pyke	<i>The Shooting Gallery (Le stand de tir)</i>	1931	Oil on canvas	170 x 130 cm (unframed); 203 x 164 x 8.5 cm (framed)	1425 (MK)
85	Museum Ludwig Cologne, Germany	Rodtschenko, Alexander	<i>Auf dem Baren</i>	1938	Gelatin silver print	40 x 28 cm	MLF 1978/1120
86	Museum Ludwig Cologne, Germany	Hoyningen-Huene, George	<i>Bathing suits by Izod</i>	1930	Gelatin silver print	28.8 x 22.6 cm	MLF 1992/207
87	Museum Ludwig Cologne, Germany	Horst, Horst P.	<i>Helene Bennett</i>	1936	Gelatin silver print	35.2 x 27.5 cm	MLF 1992/198
88	Museum Ludwig Cologne, Germany	Petrussow, G.	<i>Soldiers with Helmets</i>	1935	Gelatin silver print	30 x 25 cm	MLF 1992, 159
89	Museum of Czech Literature Prague, Czech Republic	Teige, Karel	<i>Collage N. 50</i>	1938	Gelatin silver print	26.8 x 29.4 cm	n/a
90	Museum of Modern Art New York, New York U.S.A.	Albright, Ivan Le Lorraine	<i>Woman</i>	1928	Oil on canvas	83.8 x 55.9 cm	228.1948

	LENDER	ARTIST	TITLE	DATE	MEDIUM	DIMENSIONS	LENDER No
91	Museum of Modern Art New York, New York U.S.A.	Bérard, Christian	<i>On the Beach (Double Self-Portrait)</i>	1933	Oil on canvas	80.8 x 116.7 cm	23.1960
92	Museum of Modern Art New York, New York U.S.A.	Blume, Peter	<i>The Eternal City</i>	1934-37 (dated on painting 1937)	Oil on composition board	86.4 x 121.6 cm	574.1942
93	Museum of Modern Art New York, New York U.S.A.	Oelze, Richard	<i>Expectation</i>	1935-36	Oil on canvas	81.6 x 100.6 cm	27.1940
94	Museum of Modern Art New York, New York U.S.A.	Pollock, Jackson	<i>The Flame</i>	c. 1934-38	Oil on canvas mounted on composition board	51.1 x 76.2 cm	426.1980
95	Museum of Modern Art New York, New York U.S.A.	Blossfeldt, Karl	<i>Adiantum pedatum. American Maidenhair Fern. Young rolled-up fronds enlarged 8 times</i>	1898-1928	Gelatin silver print	29.5 x 23.6 cm	1626.2001
96	Museum voor Moderne Kunst Arnhem, Netherlands	Hynckes, Raoul	<i>Stillben zwei Schädeln</i>	1937	Oil on canvas	90 x 109 cm	n/a
97	National Galleries of Scotland Edinburgh, Scotland	Giacometti, Albert	<i>Woman with her Throat Cut</i>	1932 (cast 1949 or 1950)	Bronze	22 x 87.5 x 53.5 cm	GMA 1109
98	National Museums Liverpool, Walker Art Gallery Liverpool United Kingdom	Fleetwood Walker, Bernard	<i>Amity</i>	1933	Oil on canvas	101.3 x 94.7 cm	WAG 1619
99	New Orleans Museum of Art New Orleans, Louisiana U.S.A.	Miró, Joan	<i>Persons in the Presence of a Metamorphosis (Figures dans La Presence d'une Metamorphose)</i>	1936	Egg tempera on masonite	50.17 x 57.47 cm	77.295
100	Nordico Museum der Stadt Linz Kunstgeschichte Linz, Austria	Frölich, Fritz	<i>Oberösterreichische Bauernfamilie</i>	1936-37	Oil on wood	128.5 x 103 cm (unframed); 138.5 x 113 x 8.5 cm (framed)	361
101	Österreichische Nationalbibliothek Vienna, Austria	Rübelt, Lothar	<i>Dorothy Poynton beim Turmspringen</i>	c. 1935	Gelatin silver print	40 x 30 cm	LR 05
102	Otto Dix Stiftung Schaffhausen, Switzerland	Dix, Otto	<i>Nu assis aux cheveux noirs</i>	1930	Mixed media on canvas mounted on plywood	93 x 72 cm (unframed); 103.5 x 83 x 5.5 cm (framed)	n/a
103	Philadelphia Museum of Art Philadelphia, Pennsylvania U.S.A.	Dali, Salvador	<i>Soft Construction with Boiled Beans (Premonition of Civil War)</i>	1936	Oil on canvas	99.9 x 100 cm	1950-134-4
104	Philbrook Museum of Art Tulsa, Oklahoma U.S.A.	Hogue, Alexandre	<i>Erosions No. 2 - Mother Earth Laid Bare</i>	1936	Oil on canvas	102.87 x 142.88 cm (unframed); 116.84 x 156.21 cm (framed)	1946.4

	LENDER	ARTIST	TITLE	DATE	MEDIUM	DIMENSIONS	LENDER No
105	The Phillips Collection Washington, District of Columbia, U.S.A.	Kandinsky, Vassily	<i>Succession</i>	1935	Oil on canvas	81.9625 x 100.0125 cm	0958
106	Bayerischen Staatsgemäldesamm- lungen Munich, Germany	Ziegler, Adolf	<i>Die Vier Elemente</i> a. <i>Erde und Wasser</i> (<i>Mitteltafel des</i> <i>Triptychons</i>) b. <i>Feuer (linker</i> <i>Flügel des</i> <i>Triptychons)</i> c. <i>Luft (rechter</i> <i>Flügel des</i> <i>Triptychons)</i>	Before 1937	Oil on canvas	a. 171 x 190.8 cm b. 170.3 x 85.2 cm c. 161.3 x 76.7 cm	a. 11925 b. 11931 c. 15348
107	Salvador Dalí Museum St. Petersburg, Florida U.S.A.	Dalí, Salvador	<i>Geopoliticus Child</i> <i>Watching the Birth of</i> <i>the New Man /</i> <i>Enfant géopolitique</i> <i>observant la</i> <i>naissance de</i> <i>l'homme nouveau</i>	1943	Oil on canvas	45.7 x 50.8 cm (unframed); 69.2 x 75 x 7 cm (framed)	Dali2000.9
108	San Francisco Museum of Modern Art San Francisco, California U.S.A.	Lorser, Feitelson	<i>Genesis First Version</i>	1934	Oil on celotex	60.96 x 76.2 cm (unframed); 76.2 x 90.81 cm (framed)	37.2978
109	San Francisco Museum of Modern Art San Francisco, California U.S.A.	Bellmer, Hans	<i>La mitrailleuse en</i> <i>état de grâce (The</i> <i>Machine Gunneress</i> <i>in a State of Grace)</i>	1937	Gelatin silver print with oil and watercolor mounted on board	66.04 x 66.04 cm (unframed); 69.01 x 69.01 x 5.08 cm (framed)	84.123
110	Smithsonian American Art Museum Washington, District of Columbia, U.S.A.	Feitelson, Lorser	<i>Genesis #2</i>	1934	Oil on fiberboard	102 x 121.8 cm	1985.33
111	Smithsonian American Art Museum Washington, District of Columbia, U.S.A.	Albright, Ivan Le Lorraine	<i>The Farmer's</i> <i>Kitchen</i>	1933-34	Oil on canvas	91.5 x 76.5 cm	1964.1.74
112	Solomon R. Guggenheim Museum New York, New York U.S.A.	Kandinsky, Vassily	<i>Environment</i>	October 1936	Oil on canvas	99.8 x 81.4 cm	45.973
113	Southampton City Art Gallery Southampton United Kingdom	Spencer, Stanley	<i>Portrait of Patricia</i> <i>Preece</i>	1933	Oil on canvas	83.9 x 73.6 cm; 104.7 x 94.7 x 8.5 cm (framed)	1444
114	Spencer Museum of Art Lawrence, Kansas, U.S.A.	Wood, Grant	<i>Near Sundown</i>	1933	Oil on canvas	38.1 x 67.31 cm (unframed); 55 x 84 x 6.3 cm (framed)	1959.0070
115	The State Historical Society of Missouri Columbia, Missouri, U.S.A.	Benton, Thomas Hart	<i>The Sowers, from</i> <i>Year of Peril</i>	1941-42	Oil on canvas	71 x 99 cm (unframed); 99.06 x 126.05 cm (framed)	n/a
116	State Tretyakov Gallery Moscow, Russia	Kustodiev, Boris	<i>The Bolshevik</i>	1920	Oil on canvas	101 x 140.5 cm	ZH 27
117	State Tretyakov Gallery Moscow, Russia	Deineka, Alexsandr	<i>Morning Exercise</i>	1932	Oil on canvas	91 x 118 cm	Zh-881

	LENDER	ARTIST	TITLE	DATE	MEDIUM	DIMENSIONS	LENDER No
118	State Tretyakov Gallery Moscow, Russia	Gerasimov, Alexandr	<i>I.V. Stalin Reports at the 18th Congress of the VKPb</i>	1935	Oil on canvas	99.5 x 178 cm	15141
119	Steven Kasher Gallery New York, New York U.S.A.	Rodchenko, Alexander	<i>The Couple (Sergei Urusensky)</i>	1932, printed 1980s	Gelatin silver print	39.37 x 26.67 cm (unframed); 50.8 x 60.96 cm (framed)	n/a
120	Steven Kasher Gallery New York, New York U.S.A.	Rodchenko, Alexander	<i>The Male Pyramid</i>	1936, printed 1980s	Gelatin silver print	39.37 x 25.4 cm (unframed); 50.8 x 60.96 cm (framed)	n/a
121	Steven Kasher Gallery New York, New York U.S.A.	Rodchenko, Alexander	<i>The Female Pyramid</i>	1936, printed 1980s	Gelatin silver print	39.37 x 25.4 cm (unframed); 60.96 x 76.2 cm (framed)	n/a
122	Stiftung Hans Arp und Sophie Taeuber-ARPe.V. Bonn, Germany	Arp, Hans	<i>Kopf mit lästigen Gegenständen</i>	1930, cast no. 0/5, done in 1983 by Rudier	Bronze	22.5 x 36.5 x 30 cm	A 106S
123	Stiftung Hans Arp und Sophie Taeuber-ARPe.V. Bonn, Germany	Arp, Hans	<i>Torso (Torse)</i>	1931, cast no. V/V done between 1962 and 1965)	Bronze	47 x 19 x 12.3 cm	A 4 S
124	Stiftung Moritzburg Kunstmuseum des Landes Sachsen-Anhalt Halle (Saale), Germany	Schrimpf, Georg	<i>Drei Mädchen</i>	1932	Oil on canvas	60 x 90 cm	I/296
125	Private Collection Geneva, Switzerland	Fautrier, Jean	<i>Nu Couché, Aushwitz-Dachau</i>	1941-1945	Oil on canvas	97 x 162 cm	n/a
126	Tate London United Kingdom	Spencer, Stanley	<i>Double Nude Portrait: The Artist and His Second Wife</i>	1937	Oil on canvas	83.8 x 93.7 cm (unframed); 109.3 x 112.1 x 80 cm (framed)	T01863
127	Tate London United Kingdom	Hepworth, Barbara	<i>Mother and Child</i>	1934	Cumberland alabaster	23 x 455 x 189 cm	T06676
128	Tate London United Kingdom	Gabo, Naum	<i>Stone with Collar</i>	Circa 1933	Portland stone and slate	18.5 x 26.5 x 187 cm	T02147
129	UBU Gallery New York, New York U.S.A.	Bellmer, Hans	<i>La Poupée</i>	1935	Hand-colored vintage gelatin silver print on original stretcher	66 x 66 cm	BELL 11
130	UBU Gallery New York, New York U.S.A.	Wols (Alfred Otto Wolfgang Schülze)	<i>Untitled (Rabbit/Comb/ Button)</i>	c. 1938-39	Vintage gelatin silver print	24.1 x 18 cm	WOLS 5
131	Ulster Museum Belfast, Ireland	Roberts, William Patrick	<i>Les Routiers</i>	c. 1931	Oil on canvas	101.7 x 76.3 cm	U492
132	Uměleckoprůmyslové Museum Prague, Czech Republic	Štyrský, Jindřich	<i>Untitled (From the Frog Man Series)</i>	1934	Gelatin silver print	31.5 x 29 cm	GF4706
133	Uměleckoprůmyslové Museum Prague, Czech Republic	Štyrský, Jindřich	<i>Untitled (From the Frog Man Series)</i>	1934	Gelatin silver print	32.9 x 29.9 cm	GF1731

	LENDER	ARTIST	TITLE	DATE	MEDIUM	DIMENSIONS	LENDER No
134	Uměleckoprůmyslové Museum Prague, Czech Republic	Ehm, Josef	<i>Imaginary Space</i>	1940	Gelatin silver print	20 x 24.5 cm	GF18214
135	Wolfsonian-Florida International University Miami Beach, Florida U.S.A.	Bertelli, Renato	<i>Profilo continuo del Duce (Continuous Profile of Mussolini)</i>	1933	Bronzed terra cotta	28.7 x 22.9 cm diameter	84.6.4
136	Wolfsonian-Florida International University Miami Beach, Florida U.S.A.	Bruschetti, Alessandro	<i>Sintesi Fascista (Fascist Synthesis)</i>	1935	Oil on plywood	a. 154.9 x 80 x 6.2 cm b. 154.9 x 125.7 x 6.2 cm c. 154.9 x 80 x 6.2 cm	a. 85.5.43.1 b. 84.5.43.2 c. 85.5.43.3

(141-G190)

**Applications to
Provincial Parliament — Private Bills
Demandes au Parlement
provincial — Projets de loi d'intérêt privé**

PUBLIC NOTICE

The rules of procedure and the fees and costs related to applications for Private Bills are set out in the Standing Orders of the Legislative Assembly. Copies of the Standing Orders, and the guide "Procedures for Applying for Private Legislation", may be obtained from the Legislative Assembly's Internet site at <http://www.ontla.on.ca> or from:

Committees Branch
Room 1405, Whitney Block, Queen's Park
Toronto, Ontario M7A 1A2

Telephone: 416/325-3500 (Collect calls will be accepted)

Applicants should note that consideration of applications for Private Bills that are received after the first day of September in any calendar year may be postponed until the first regular Session in the next following calendar year.

DEBORAH DELLER,
Clerk of the Legislative Assembly.

(8699) T.F.N.

**Corporation Notices
Avis relatifs aux companies**

**Kraft Canada Employees' (Cobourg)
Credit Union Limited**

NOTICE IS HEREBY GIVEN that on April 10, 2008, the membership of Kraft Canada Employees' (Cobourg) Credit Union Limited resolved to wind up voluntarily pursuant to Section 298 of the Credit Unions and Caisses Populaires Act, 1994. At the same meeting, the Deposit Insurance Corporation of Ontario was appointed Liquidator.

Dated this 16th day of April, 2008

Deposit Insurance Corporation of Ontario
In its capacity as liquidator of Kraft Canada
Employees' (Cobourg) Credit Union Limited

(141-P130)

**Sheriff's Sale of Lands
Vente de biens-fonds par le shérif**

UNDER AND BY VIRTUE OF a Writ of Seizure and Sale issued out of the Superior Court of Justice at Brampton dated August 8, 2007

Court File Number CV-07-1552-SR, to me directed, against the real and personal property of

Joseph Kargiannakis also known as Joseph E. Kargiannakis also known as Joseph Emmanuel Kargiannakis also known as Joe E. Kargiannakis also known as Joe E. Kargianna also known as Joseph Karyiannakis also known as Joseph E. Karyiannakis also known as Joseph Emmanuel Karyiannakis also known as Joe E. Karyiannakis also known as Joe E. Karyianna also known as Joe Karyiannakis Defendant(s), at the suit of Canadian Imperial Bank of Commerce Plaintiff(s), I have seized and taken in execution all the right, title, interest and equity of redemption of Joseph Kargiannakis also known as Joseph E. Kargiannakis also known as Joseph Emmanuel Kargiannakis also known as Joe E. Kargiannakis also known as Joe E. Kargianna also known as Joe Kargiannakis also known as Joseph Karyiannakis also known as Joseph E. Karyiannakis also known as Joseph Emmanuel Karyiannakis also known as Joe E. Karyiannakis also known as Joe E. Karyianna also known as Joe Karyiannakis

Defendant(s) in and to:

Lot 4 on Plan M-365, Parcel 8898, Algoma West Section, City of Sault Ste. Marie

Municipally known as 13 Birchland Court, Sault Ste. Marie, Ontario P6B 5W7

All of which said right, title, interest and equity of redemption of

Joseph Kargiannakis also known as Joseph E. Kargiannakis also known as Joseph Emmanuel Kargiannakis also known as Joe E. Kargiannakis also known as Joe E. Kargianna also known as Joe Kargiannakis also known as Joseph Karyiannakis also known as Joseph E. Karyiannakis also known as Joseph Emmanuel Karyiannakis also known as Joe E. Karyiannakis also known as Joe E. Karyianna also known as Joe Karyiannakis Defendant(s), in the said lands and tenements described above, I shall offer for sale by Public Auction subject to the conditions set out below at, Ministry of the Attorney General, Court House, 426 Queen St.E., Sault Ste. Marie, Ontario on **JUNE 13, 2008 at 10:00 a.m.**

CONDITIONS:

The purchaser to assume responsibility for all mortgages, charges, liens, outstanding taxes, and other encumbrances. No representation is made regarding the title of the land or any other matter relating to the interest to be sold. Responsibility for ascertaining these matters rests with the potential purchaser(s).

TERMS: Deposit 10% of bid price or \$1,000.00, whichever is greater

- Payable at time of sale by successful bidder
- To be applied to purchase price
- Non-refundable

Ten business days from date of sale to arrange financing and pay balance in full at **Ministry of the Attorney General, 426 Queen St. E., Sault Ste. Marie, ON P6A 6W2**

All payments in cash or by certified cheque made payable to the Minister of Finance

Deed Poll provided by Sheriff only upon satisfactory payment in full of purchase price

Other conditions as announced

THIS SALE IS SUBJECT TO CANCELLATION BY THE SHERIFF WITHOUT FURTHER NOTICE UP TO THE TIME OF SALE.

Note: No employee of the Ministry of the Attorney General may purchase any goods or chattels, lands or tenements exposed for sale by a Sheriff under legal process, either directly or indirectly.

Date April 23, 2008

PAM MARSHALL

Client Service Representative

(141-P131E)

426 Queen St. E., Sault Ste. Marie, ON P6A 6W2

MODALITÉS : Dépôt de 10 pour cent du prix offert ou de 1 000 \$, selon le montant le plus élevé

- exigible au moment de la vente au plus offrant
- s'applique au prix d'achat
- non remboursable

Un délai de dix jours ouvrables est accordé à compter du jour de la vente pour obtenir le financement et acquitter le solde au **ministère du Procureur général, 426, rue Queen Est, Sault Ste-Marie ON P6A 6W2**

Tous les paiements doivent être effectués en espèces ou par chèque certifié libellé à l'ordre du ministre des Finances.

L'acte formaliste unilatéral ne sera remis par le shérif qu'au moment de l'acquiescement du prix de vente.

D'autres conditions s'appliquent à mesure qu'elles sont annoncées.

LA VENTE PEUT ÊTRE ANNULÉE PAR LE SHÉRIF JUSQU'À L'HEURE DE LA VENTE SANS AUCUN AUTRE AVIS.

Remarque : Aucun employé du ministère du Procureur général ne peut acheter, ni directement ni indirectement, les biens ou effets, terres ou tenements exposés par un shérif en vue d'une vente par voie judiciaire.

Date : 23 avril 2008

PAM MARSHALL

Préposée au service à la clientèle

(141-P131F)

426, rue Queen Est, Sault Ste-Marie ON P6A 6W2

Sale of Lands for Tax Arrears by Public Tender Ventes de terrains par appel d'offres pour arriéré d'impôt

Municipal Act, 2001

SALE OF LAND BY PUBLIC TENDER

THE CORPORATION OF THE TOWN OF IROQUOIS FALLS

TAKE NOTICE that tenders are invited for the purchase of the land(s) described below and will be received until 3:00 p.m. local time on Thursday, May 22, 2008 at Town Hall, 253 Main Street, Iroquois Falls, Ontario, P0K 1G0.

The tenders will then be opened in public on the same day at 3:30 p.m. in Council Chambers.

Description of Land:

Roll # 56-31-050-013-24400-0000

PCL 8299 SEC NEC; PT LT 2 CON 3 CALVERT PT 1, 6R3933

PCL 8207 SEC NEC; PT LT 2 CON 3 CALVERT PT 1, 6R3521

PCL 6211 SEC NEC; PT LT 2 CON 3 CALVERT PT 1, CR752

TOWN OF IROQUOIS FALLS, DISTRICT OF COCHRANE

697 Ambridge Drive

Minimum Tender Amount: \$134,225.72

Tenders must be submitted in the prescribed form and must be accompanied by a deposit in the form of a money order or of a bank draft or cheque certified by a bank or trust corporation payable to the municipality (or board) and representing at least 20 per cent of the tender amount.

The municipality makes no representation regarding the title to or any other matters relating to the land to be sold. Responsibility for ascertaining these matters rests with the potential purchasers.

EN VERTU d'un bref de saisie-exécution décerné par la Cour supérieure de justice à Brampton daté du 8 août 2007

numéro du dossier de la cour CV-07-1552-SR, et qui m'a été délivré, contre les biens meubles et immeubles de Joseph Kargiannakis alias Joseph E. Kargiannakis alias Joseph Emmanuel Kargiannakis alias Joe E. Kargiannakis alias Joe E. Kargianna alias Joe Kargiannakis alias Joseph Karyiannakis alias Joseph E. Karyiannakis alias Joseph Emmanuel Karyiannakis alias Joe E. Karyiannakis alias Joe E. Karyianna alias Joe Karyiannakis, défendeur(s), à la demande de la Banque Canadienne Impériale de Commerce, demandeur(s), j'ai saisi et pris en exécution le droit, titre, intérêt et droit de rachat de Joseph Kargiannakis alias Joseph E. Kargiannakis alias Joseph Emmanuel Kargiannakis alias Joe E. Kargiannakis alias Joe E. Kargianna alias Joe Kargiannakis alias Joseph Karyiannakis alias Joseph E. Karyiannakis alias Joseph Emmanuel Karyiannakis alias Joe E. Karyiannakis alias Joe E. Karyianna alias Joe Karyiannakis, défendeur(s), dans :

Lot 4, plan M-365, parcelle 8898, section Algoma est, ville de Sault Ste-Marie désignation civique : 13, court Birchland, Sault Ste-Marie (Ontario) P6B 5W7

Lesquels droit, titre, intérêt et droit de rachat de Joseph Kargiannakis alias Joseph E. Kargiannakis alias Joseph Emmanuel Kargiannakis alias Joe E. Kargiannakis alias Joe E. Kargianna alias Joe Kargiannakis alias Joseph Karyiannakis alias Joseph E. Karyiannakis alias Joseph Emmanuel Karyiannakis alias Joe E. Karyiannakis alias Joe E. Karyianna alias Joe Karyiannakis, défendeur(s), dans lesdits bien-fonds et tenements décrits ci-dessus, j'offre en vente aux enchères publiques, sous réserve des conditions énumérées ci-dessous, au ministère du Procureur général, palais de justice, 426, rue Queen Est, Sault Ste-Marie (Ontario) le **13 juin 2008 à 10 heures**.

CONDITIONS :

L'acheteur assume la responsabilité des hypothèques, charges, privilèges, impôts en souffrance et autres grèvements. Aucune déclaration ne sera faite à l'égard du bien-fonds faisant l'objet de la vente, notamment en ce qui concerne le titre. L'acheteur éventuel assume la responsabilité de faire les vérifications nécessaires.

This sale is governed by the *Municipal Act, 2001* and the Municipal Tax Sales Rules made under that Act. The successful purchaser will be required to pay the amount tendered plus accumulated taxes and the relevant land transfer tax.

The municipality has no obligation to provide vacant possession to the successful purchaser.

For further information regarding this sale and a copy of the prescribed form of tender, contact:

HOLLY LACHANCE
Accounting Assistant
Town of Iroquois Falls
253 Main St. Box 230
Iroquois Falls, Ontario
P0K 1G0
Telephone: (705) 232-5700
email: lachanceh@iroquoisfalls.com

(141-P132)

Municipal Act, 2001

SALE OF LAND BY PUBLIC TENDER

THE CORPORATION OF THE TOWN OF MISSISSIPPI MILLS

TAKE NOTICE that tenders are invited for the purchase of the land (s) described below and will be received until 3:00 p.m. local time on the 30th day of May, 2008 at the Municipal Office, 3131 Old Perth Road, Almonte, Ontario K0A 1A0.

The tenders will then be opened in public on the same day at the Municipal Office Council Chambers at 3:05 p.m.

Description of Land(s):

- 1. Lot 130, 131, 132, 133 McFarlane Section**
Plan 6262
137 Robert Street
Town of Almonte, now Town of Mississippi Mills, County of Lanark
PIN 05294-0081
Roll Number 0931 030 040 11411 0000
Minimum Tender Amount: \$159,581.30

Tenders must be submitted in the prescribed form and must be accompanied by a deposit in the form of a money order or of a bank draft or cheque certified by a bank or trust corporation payable to the municipality and representing at least 20 per cent of the tender amount.

Except as follows, the municipality makes no representation regarding the title to or any other matters relating to the land to be sold. Responsibility for ascertaining these matters rests with the potential purchasers.

This sale is governed by the *Municipal Act, 2001* and the Municipal Tax Sales Act. The successful purchaser will be required to pay the amount tendered plus accumulated taxes and the relevant land transfer tax.

The municipality has no obligation to provide vacant possession to the successful purchaser.

For further information regarding this sale and a copy of the prescribed form of tender contact:

RHONDA WHITMARSH, Treasurer
3131 Old Perth Road
R.R. #2
Almonte, ON K0A 1A0
(613) 256-2064 ext. 262
rwhitmarsh@mississippimills.ca

(141-P133)

**Publications under Part III (Regulations) of the Legislation Act, 2006
Règlements publiés en application de la partie III (Règlements)
de la Loi de 2006 sur la législation**

2008—05—03

ONTARIO REGULATION 90/08

made under the

ASSESSMENT ACT

Made: April 15, 2008

Filed: April 16, 2008

Published on e-Laws: April 21, 2008

Printed in *The Ontario Gazette*: May 3, 2008

Amending O. Reg. 282/98

(General)

Note: Ontario Regulation 282/98 has previously been amended. Those amendments are listed in the Table of Current Consolidated Regulations – Legislative History Overview which can be found at www.e-Laws.gov.on.ca.

1. Ontario Regulation 282/98 is amended by adding the following section:

RESIDUAL COMMERCIAL PROPERTY CLASS

13.1 (1) For 2008 and subsequent years, the residual commercial property class applies within a municipality, the council of which is required to pass a by-law establishing tax ratios under section 308 of the *Municipal Act, 2001* or section 275 of the *City of Toronto Act, 2006*, only if the council has passed a by-law opting to have the residual commercial property class apply within the municipality.

(2) The residual commercial property class consists of land that would otherwise be in the commercial property class other than land in the office building property class, the shopping centre property class, the parking lots and vacant land property class or the professional sports facility property class whether or not the municipality had opted to have all or any of the property classes apply within the municipality.

(3) The council of a municipality that has passed a by-law opting to have the residual commercial property class apply may pass a by-law opting to have the class cease to apply; however, the by-law does not apply with respect to a taxation year unless the by-law is passed on or before the last day for passing a by-law opting to have the property class apply for that taxation year.

2. This Regulation comes into force on the day it is filed.

Made by:

DWIGHT DOUGLAS DUNCAN
Minister of Finance

Date made: April 15, 2008.

18/08

ONTARIO REGULATION 91/08

made under the

ASSESSMENT ACT

Made: April 15, 2008
 Filed: April 16, 2008
 Published on e-Laws: April 21, 2008
 Printed in *The Ontario Gazette*: May 3, 2008

Amending O. Reg. 173/07
 (Deadline for 2007 for By-laws Adopting Optional Classes)

Note: Ontario Regulation 173/07 has not previously been amended.

1. The title of Ontario Regulation 173/07 is revoked and the following substituted:**ANNUAL DEADLINES FOR BY-LAWS ADOPTING OPTIONAL CLASSES****2. The Regulation is amended by adding the following section:****Deadline**

1.1 For the 2008 taxation year, April 30, 2008 is prescribed as the later deadline for the purposes of clause 2 (3.2) (e) of the Act.

3. This Regulation comes into force on the day it is filed.

Made by:

DWIGHT DOUGLAS DUNCAN
Minister of Finance

Date made: April 15, 2008.

18/08

ONTARIO REGULATION 92/08

made under the

ELECTRICITY ACT, 1998

Made: April 15, 2008
 Filed: April 16, 2008
 Published on e-Laws: April 21, 2008
 Printed in *The Ontario Gazette*: May 3, 2008

Amending O. Reg. 124/02
 (Taxes and Charges on Hydro-Electric Generating Stations)

Note: Ontario Regulation 124/02 has previously been amended. Those amendments are listed in the Table of Current Consolidated Regulations – Legislative History Overview which can be found at www.e-Laws.gov.on.ca.

1. Section 2 of Ontario Regulation 124/02 is amended by striking out “December 31, 2007” and substituting “December 31, 2008”.

2. This Regulation is deemed to have come into force on January 1, 2008.

Made by:

DWIGHT DOUGLAS DUNCAN
Minister of Finance

Date made: April 15, 2008.

18/08

ONTARIO REGULATION 93/08

made under the

CITY OF TORONTO ACT, 2006

Made: April 15, 2008

Filed: April 16, 2008

Published on e-Laws: April 21, 2008

Printed in *The Ontario Gazette*: May 3, 2008

Amending O. Reg. 121/07

(Traditional Municipal Taxes, Limits and Collection)

Note: Ontario Regulation 121/07 has not previously been amended.

1. The Table to section 2 of Ontario Regulation 121/07 is amended by adding the following item:

Residual commercial property class	0.6 to 1.1
------------------------------------	------------

2. The Regulation is amended by adding the following section:

Transition ratio for residual commercial property class

2.1 For the purposes of subsection 275 (8) of the Act, the transition ratio for the residual commercial property class for the 2008 taxation year is 3.67373.

3. This Regulation comes into force on the day it is filed.

Made by:

DWIGHT DOUGLAS DUNCAN
Minister of Finance

Date made: April 15, 2008.

18/08

ONTARIO REGULATION 94/08

made under the

HIGHWAY TRAFFIC ACT

Made: March 31, 2008

Filed: April 16, 2008

Published on e-Laws: April 21, 2008

Printed in *The Ontario Gazette*: May 3, 2008

Amending Reg. 599 of R.R.O. 1990

(Highway Closings)

Note: Regulation 599 has previously been amended. Those amendments are listed in the Table of Current Consolidated Regulations – Legislative History Overview which can be found at www.e-Laws.gov.on.ca.

1. Section 1 of Regulation 599 of the Revised Regulations of Ontario, 1990 is revoked and the following substituted:

1. For the purposes of section 134 of the Act, a police officer may close a highway or any part thereof by either of the following methods:

1. By,
 - i. posting or causing to be posted a Do Not Enter sign as prescribed in subsection 2 (1) in such a manner that the sign faces approaching traffic and that the bottom edge of the sign is not less than one metre above the roadway, and
 - ii. placing or causing to be placed not fewer than three traffic control devices of the type prescribed in clause 2 (2) (a) or two traffic control devices of the type prescribed in clauses 2 (2) (b) and (c) in such a manner that the control devices stand in a line at right angles to approaching traffic with not more than one metre separating each pair of control devices.
2. By deploying or causing to be deployed across the roadway a highway ramp gate traffic control device as prescribed in subsection 2 (3) that was installed by the road authority having jurisdiction and control of the highway and locking it in place.

2. (1) Subsection 2 (2) of the Regulation is revoked and the following substituted:

- (2) A traffic control device may,
 - (a) be conical in shape, not less than 45 centimetres in height, have a white retro-reflective collar and bear the markings and have the minimum dimensions as prescribed and illustrated in Figure 2;
 - (b) be rectangular in shape, not less than 90 centimetres in height and not less than 20 centimetres in width and bear the markings and have the minimum dimensions as prescribed and illustrated in Figure 3;
 - (c) be a barricade, not less than 100 centimetres in width and 100 centimetres in height and bear the markings and have the minimum dimensions as prescribed and illustrated in Figure 4; or
 - (d) be rectangular in shape, not less than 20 centimetres in height and not less than 90 centimetres in width, with black bars on an orange retro-reflective background and bear the markings and have the minimum dimensions as prescribed and illustrated in Figure 5.

(2) Section 2 of the Regulation is amended by adding the following subsection:

- (3) A highway ramp gate traffic control device shall,
 - (a) be a barrier that extends across the width of the roadway when deployed such that it blocks vehicular access to the highway;
 - (b) be capable of being locked in place;
 - (c) have on it at least one Do Not Enter sign, as prescribed in subsection (1), in such a manner that the sign faces approaching traffic and the bottom edge of the sign is not less than one metre above the roadway; and
 - (d) have at least two traffic control devices, as prescribed in clause (2) (d), on the same plane on either side of the Do Not Enter sign in such a manner that the long edges of the control devices are horizontal to the roadway and facing approaching traffic.

(3) Figures 1, 2, 3 and 4 to section 2 of the Regulation are revoked and the following substituted:

Figure 1

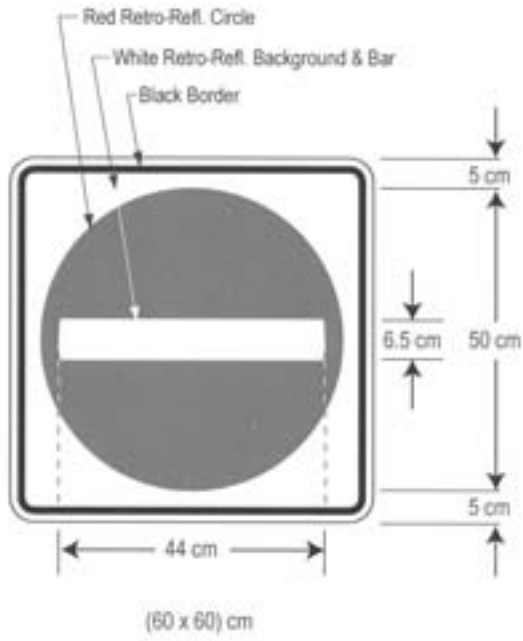


Figure 2

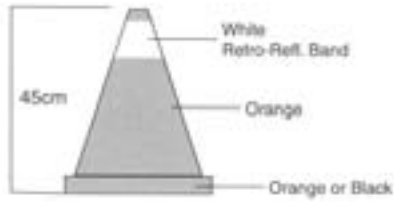


Figure 3

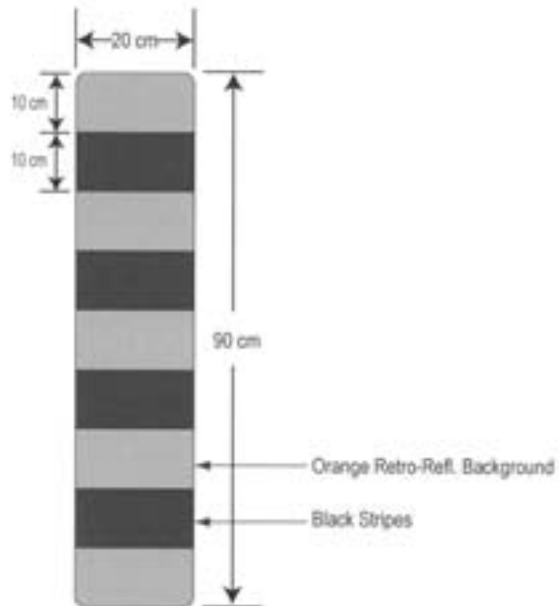


Figure 4

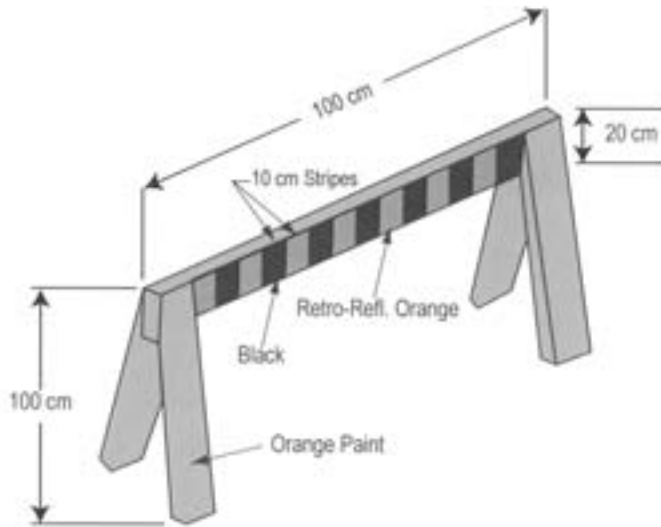
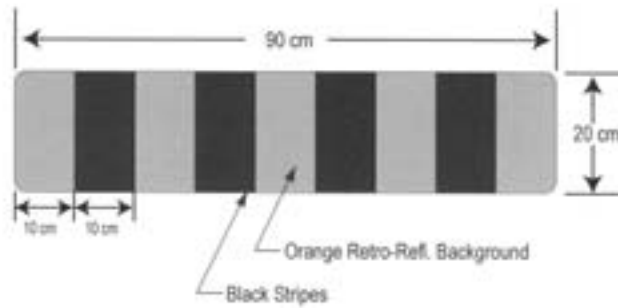


Figure 5



3. This Regulation comes into force on the day it is filed.

Made by:

JIM BRADLEY
Minister of Transportation

Date made: March 31, 2008.

18/08

ONTARIO REGULATION 95/08

made under the

HIGHWAY TRAFFIC ACT

Made: March 5, 2008

Filed: April 17, 2008

Published on e-Laws: April 21, 2008

Printed in *The Ontario Gazette*: May 3, 2008

Amending O. Reg. 510/99

(Community Safety Zones)

Note: Ontario Regulation 510/99 has previously been amended. Those amendments are listed in the Table of Current Consolidated Regulations – Legislative History Overview which can be found at www.e-Laws.gov.on.ca.

1. Ontario Regulation 510/99 is amended by adding the following Schedule:

SCHEDULE 15
TOWNSHIP OF CHAMPLAIN

1. (1) That part of the King's Highway known as No. 34 in the Township of Champlain in the United Counties of Prescott and Russell lying between a point situate 187 metres measured northerly from its intersection with the centre line of the roadway known as Happy Hollow Road and a point situate at its intersection with the northerly limits of the Town of Vankleek Hill.

(2) This designation is effective 24 hours a day, seven days a week and every month of the year.

2. This Regulation comes into force on the day it is filed.

Made by:

RICK BARTOLUCCI

Minister of Community Safety and Correctional Services

Date made: March 5, 2008.

18/08

ONTARIO REGULATION 96/08

made under the

CONSOLIDATED HEARINGS ACT

Made: April 2, 2008

Filed: April 17, 2008

Published on e-Laws: April 21, 2008

Printed in *The Ontario Gazette*: May 3, 2008

Amending Reg. 171 of R.R.O. 1990

(Aggregate Resources Act)

Note: Regulation 171 has previously been amended. Those amendments are listed in the Table of Current Consolidated Regulations – Legislative History Overview which can be found at www.e-Laws.gov.on.ca.

1. Section 2 of Regulation 171 of the Revised Regulations of Ontario, 1990 is amended by adding the following clause:

- (g) the proposed undertaking by Nelson Aggregate Co. to operate a quarry on land that,
- (i) is located on Part Lots 17 and 18, Concession 2 N.D.S., in the City of Burlington in The Regional Municipality of Halton, and
 - (ii) is described as the Burlington Quarry Extension on a map that is available from the Environmental Assessment and Approvals Branch of the Ministry of the Environment, the original of which is filed in the office of the Director of that Branch and is identified by the stamp of the Registrar of Regulations dated January 11, 2007.

2. This Regulation comes into force on the day it is filed.

RÈGLEMENT DE L'ONTARIO 96/08

pris en application de la

LOI SUR LA JONCTION DES AUDIENCES

pris le 2 avril 2008
 déposé le 17 avril 2008
 publié sur le site Lois-en-ligne le 21 avril 2008
 imprimé dans la *Gazette de l'Ontario* le 3 mai 2008

modifiant le Règl. 171 des R.R.O. de 1990
 (Loi sur les ressources en agrégats)

Remarque : Le Règlement 171 a été modifié antérieurement. Ces modifications sont indiquées dans le Sommaire de l'historique législatif des codifications (règlements) qui se trouve sur le site www.lois-en-ligne.gouv.on.ca.

1. L'article 2 du Règlement 171 des Règlements refondus de l'Ontario de 1990 est modifié par adjonction de l'alinéa suivant :

- g) l'entreprise projetée par Nelson Aggregate Co., dans le but d'y exploiter une carrière sur les terrains qui sont :
- (i) d'une part, situés sur les lots 17 et 18 de la concession 2 N.D.S. de la cité de Burlington dans la municipalité régionale de Halton,
 - (ii) d'autre part, appelés Burlington Quarry Extension sur une carte qui peut être obtenue de la Direction des évaluations et des autorisations environnementales du ministère de l'Environnement et dont l'original est déposé au bureau du directeur de cette direction et porte l'estampille du registrateur des règlements datée du 11 janvier 2007.

2. Le présent règlement entre en vigueur le jour de son dépôt.

18/08

ONTARIO REGULATION 97/08

made under the

ENERGY CONSERVATION LEADERSHIP ACT, 2006

Made: April 16, 2008
 Filed: April 17, 2008
 Published on e-Laws: April 21, 2008
 Printed in *The Ontario Gazette*: May 3, 2008

DESIGNATION OF GOODS, SERVICES AND TECHNOLOGIES

Designation of clotheslines etc.

1. The following are designated for the purposes of subsection 3 (1) of the Act:

1. Clotheslines.
2. Clothestrees.
3. Any goods and technologies that have a purpose that is the same as a clothesline or clothestree, and no other purpose.
4. Any equipment that is necessary for the proper installation and operation of anything that is designated under this section.

Prescribed circumstances

2. A person is permitted to install and use any goods or technologies designated in section 1, if the following circumstances apply:

1. The designated goods or technologies and any necessary equipment are installed on property upon which is situated a house or building that is used solely for residential occupancy and which is the person's place of residence.
2. The designated goods or technologies and any necessary equipment are installed in a manner so as to ensure that there are no impediments to safety, including, but not limited to, impediments to access to or egress from the house or building.
3. The designated goods or technologies and any necessary equipment are installed adjacent to the side or rear wall of the house or building so as to be useable by a person,
 - i. standing directly on the ground,
 - ii. standing on a deck or other fixed platform accessed directly from the ground floor of the house or building, if the deck or fixed platform is no higher than the floor level of the ground floor, or
 - iii. standing on a step-stool or similar device placed either directly on the ground or on a deck or other fixed platform accessed directly from the ground floor of the house or building, if the deck or fixed platform is no higher than the floor level of the ground floor.
4. The designated goods or technologies and any necessary equipment are installed in an area where the person has an exclusive right of use by virtue of their residency.

Commencement

3. This Regulation comes into force on the day it is filed.

18/08

ONTARIO REGULATION 98/08

made under the

MINISTRY OF GOVERNMENT SERVICES ACT

Made: April 16, 2008

Filed: April 18, 2008

Published on e-Laws: April 21, 2008

Printed in *The Ontario Gazette*: May 3, 2008

Amending O. Reg. 475/07

(Service Provider Organizations — ServiceOntario)

Note: Ontario Regulation 475/07 has not previously been amended.

1. Ontario Regulation 475/07 is amended by adding the following sections:

DESIGNATED SERVICES — MINISTRY OF HEALTH AND LONG-TERM CARE

Health cards and organ donor registration

1.1 The following actions are designated as services that ServiceOntario may provide to the public on behalf of the Minister of Health and Long-Term Care, the Ministry of Health and Long-Term Care and, where applicable, the General Manager for the Ontario Health Insurance Plan:

1. Health cards: accepting and processing applications for the issuance, replacement or renewal of a health card, changing information on a health card and accepting the return or surrender of a health card in accordance with the *Health Insurance Act* and the regulations made under it.

2. Organ donor registration: registering the organ donation preferences for clients with a health card in accordance with the *Trillium Gift of Life Network Act* and the regulations made under it.

Administrative services

1.2 The following administrative services otherwise provided by the Ministry of Health and Long-Term Care are designated as services which ServiceOntario may provide to the public on behalf of that Ministry and, where applicable, the General Manager for the Ontario Health Insurance Plan:

1. Providing information and responding to queries in relation to actions listed in section 1.1 and services listed in this section.
2. Accepting applications for programs related to the provision of insured services under the *Health Insurance Act* and the regulations made under it.
3. Updating databases that the Ministry maintains of personal information of health card holders.

2. This Regulation comes into force on the day it is filed.

18/08

ONTARIO REGULATION 99/08

made under the

HEALTH PROTECTION AND PROMOTION ACT

Made: April 16, 2008

Filed: April 18, 2008

Published on e-Laws: April 21, 2008

Printed in *The Ontario Gazette*: May 3, 2008

Amending Reg. 562 of R.R.O. 1990
(Food Premises)

Note: Regulation 562 has previously been amended. Those amendments are listed in the Table of Current Consolidated Regulations – Legislative History Overview which can be found at www.e-Laws.gov.on.ca.

1. Regulation 562 of the Revised Regulations of Ontario, 1990 is amended by adding the following section:

39.1 In sections 40 and 41,

“uninspected meat” means meat obtained from an animal that has not been inspected in accordance with Ontario Regulation 31/05 (Meat) made under the *Food Safety and Quality Act, 2001* or the *Meat Inspection Act* (Canada).

2. Section 40 of the Regulation is amended by adding the following subsections:

(2.1) Despite subsection (1), a food premise that falls within the definition of “meat plant” in Ontario Regulation 31/05 (Meat) made under the *Food Safety and Quality Act, 2001* may have uninspected meat at the food premise if,

- (a) an approval has been issued under Part VIII.2 of that regulation for the uninspected meat to enter a meat plant as defined in that regulation;
- (b) a regional veterinarian has approved the food premise under Part VIII.3 of that regulation for the purposes of receiving the meat for the period of time that the meat is present on the premise; and
- (c) the uninspected meat is kept out of any part of the food premise where food is sold, served or offered for sale.

(2.2) Despite subsection (1), a food premise that falls within the definition of “meat plant” in Ontario Regulation 31/05 (Meat) made under the *Food Safety and Quality Act, 2001* may have uninspected meat that is a hunted game carcass as defined in that regulation on the premise for the purposes of dressing, cutting, wrapping or freezing the carcass or processing hunted game products as defined in that regulation from it for the owner of the carcass if,

- (a) the premise has been approved under Part VIII.4 of that regulation for the purposes of receiving and processing hunted game carcasses; and
- (b) the uninspected meat is kept out of any part of the food premise where food is sold, served or offered for sale.

3. This Regulation comes into force on May 1, 2008.

18/08

NOTE: Consolidated regulations and various legislative tables pertaining to regulations can be found on the e-Laws website (www.e-Laws.gov.on.ca).

REMARQUE : Les règlements codifiés et diverses tables concernant les règlements se trouvent sur le site Lois-en-ligne (www.lois-en-ligne.gouv.on.ca).

INDEX 18

Ontario Highway Transport Board.....	1081
Notice of Default in Complying with the Corporations Tax Act/Avis de non-observation de la Loi sur l'imposition des sociétés	1083
Cancellation of Certificate of Incorporation (Corporations Tax Act Defaulters)/Annulation de certificat de constitution (Non-observation de la Loi sur l'imposition des sociétés).....	1084
Certificate of Dissolution/Certificat de dissolution.....	1085
Marriage Act/Loi sur le mariage	1088
Change of Name Act/Loi sur le changement de nom	1088
Foreign Cultural Objects Immunity from Seizure Act Determination	1091
Applications to Provincial Parliament — Private Bills Demandes au Parlement provincial — Projets de loi d'intérêt privé.....	1100
CORPORATION NOTICES/AVIS RELATIFS AUX COMPAGNIES	1100
SHERIFF'S SALE OF LANDS/VENTES DE TERRAINS PAR LE SHERIF.....	1100
SALE OF LANDS for Tax ARREARS BY PUBLIC TENDER/VENTES DE TERRAINS PAR APPEL D'OFFRES POUR ARRIÉRÉ D'IMPÔT	
THE CORPORATION OF THE TOWN OF IROQUOIS FALLS	1101
THE CORPORATION OF THE TOWN OF MISSISSIPPI MILLS	1102
PUBLICATIONS UNDER THE REGULATIONS ACT/ PUBLICATIONS EN VERTU DE LA LOI SUR LES RÈGLEMENTS	
Assessment Act	O. Reg. 90/08..... 1103
Assessment Act	O. Reg. 91/08..... 1104
City of Toronto Act, 2006	O. Reg. 93/08..... 1105
Consolidated Hearings Act	O. Reg. 96/08..... 1109
Electricity Act, 1998	O. Reg. 92/08..... 1104
Energy Conservation Leadership Act, 2006	O. Reg. 97/08..... 1110
Health Protection and Promotion Act	O. Reg. 99/08..... 1112
Highway Traffic Act	O. Reg. 94/08..... 1106
Highway Traffic Act	O. Reg. 95/08..... 1109
Ministry of Government Services Act	O. Reg. 98/08..... 1111



TEXTE D'INFORMATION POUR LA GAZETTE DE L'ONTARIO

Information

La Gazette de l'Ontario paraît chaque samedi, et les annonces à y insérer doivent parvenir à ses bureaux le jeudi à 15h au plus tard, soit au moins neuf jours avant la parution du numéro dans lequel elles figureront. Pour les semaines incluant le lundi de Pâques, le 11 novembre et les congés statutaires, accordez une journée de surplus. Pour connaître l'horaire entre Noël et le Jour de l'An s'il vous plaît communiquez avec le bureau de La Gazette de l'Ontario au (416) 326-5310 ou par courriel à mbs.GazettePubsOnt@ontario.ca

Tarifs publicitaires et soumission de format:

- 1) Le tarif publicitaire pour la première insertion envoyée électroniquement est de 75,00\$ par espace-colonne jusqu'à un ¼ de page.
- 2) Pour chaque insertion supplémentaire commandée en même temps que l'insertion initiale, le tarif est 40,00\$
- 3) Les clients peuvent confirmer la publication d'une annonce en visitant le site web de La Gazette de l'Ontario www.ontariogazette.gov.on.ca ou en visionnant une copie imprimée à une bibliothèque locale.

Abonnement:

Le tarif d'abonnement annuel est de 126,50\$ + T.P.S. pour 52 ou 53 numéros hebdomadaires débutant le premier samedi du mois de janvier (payable à l'avance) L'inscription d'un nouvel abonnement au courant de l'année sera calculée de façon proportionnelle pour la première année. Un nouvel abonné peut commander des copies d'éditions précédentes de la Gazette au coût d'une copie individuelle si l'inventaire le permet.

Le remboursement pour l'annulation d'abonnement sera calculé de façon proportionnelle à partir de 50% ou moins selon la date. Pour obtenir de l'information sur l'abonnement ou les commandes s.v.p. téléphonez le (416) 326-5306 durant les heures de bureau.

Copies individuelles:

Des copies individuelles de la Gazette peuvent être commandées en direct en ligne au site www.publications.serviceontario.ca ou en téléphonant 1-800-668-9938.

Options de paiement:

Les paiements peuvent être effectués au moyen de la carte Visa, MasterCard ou Amex, ou chèques ou mandats fait à l'ordre du MINISTRE DES FINANCES. Toute correspondance, notamment les changements d'adresse, doit être adressée à :

LA GAZETTE DE L'ONTARIO

50 rue Grosvenor, Toronto (Ontario) M7A 1N8

Téléphone (416) 326-5306

Paiement-Annonces:

Pour le traitement rapide les clients peuvent faire leur paiement au moyen de la carte Visa, MasterCard ou Amex lorsqu'ils soumettent leurs annonces. Les frais peuvent également être facturés.

MINISTÈRES DU GOUVERNEMENT DE L'ONTARIO S.V.P. NOTEZ

Il est possible de payer par carte d'achat du ministère ou par écriture de journal. Les paiements par écriture de journal sont assujettis aux exigences de facturation d'IFIS. S.V.P. communiquez avec le bureau de la Gazette au 416 326-5310 ou à mbs.GazettePubsOnt@ontario.ca.



INFORMATION TEXT FOR ONTARIO GAZETTE

Information

The Ontario Gazette is published every Saturday. Advertisements/notices must be received no later than 3 pm on Thursday, 9 days before publication of the issue in which they should appear. For weeks including Easter Monday, November 11th or a statutory holiday allow an extra day. For the Christmas/New Year holiday schedule please contact the Gazette at (416) 326-5310 or by email at mbs.GazettePubsOnt@ontario.ca

Advertising rates and submission formats:

- 1) For a first insertion electronically submitted the basic rate is \$75 up to ¼ page.
- 2) For subsequent insertions of the same notice ordered at the same time the rate is \$40 each.
- 3) Clients may confirm publication of a notice by visiting The Ontario Gazette web site at: www.ontariogazette.gov.on.ca or by viewing a printed copy at a local library.

Subscriptions:

The annual subscription rate is \$126.50 + G.S.T. for 52 or 53 weekly issues beginning the first Saturday in January, payable in advance. In-year new subscriptions will be pro-rated for the first year. A new subscriber may order back issues of the Gazette at the single-copy rate as inventory permits.

Refunds for cancelled subscriptions will be pro-rated from 50% or less depending upon date. For subscription information/orders please call (416) 326-5306 during normal business hours.

Single Copies:

Individual Gazette copies may be ordered on-line through the website at www.publications.serviceontario.ca or by phone at 1-800-668-9938.

Payment Options:

Subscriptions may be paid by VISA, AMEX or MasterCard or by Cheque or Money order payable to THE MINISTER OF FINANCE. All subscription enquiries and correspondence, including address changes, should be mailed to:

THE ONTARIO GAZETTE

50 Grosvenor Street, Toronto, Ontario M7A 1N8

Telephone: (416) 326-5306

Payment – Notices:

For fastest processing clients may pay by VISA, AMEX or MasterCard when submitting notices. Charges may also be invoiced.

ONTARIO GOVERNMENT MINISTRIES PLEASE NOTE:

Ministry Purchase Card or Journal Entry. Journal payments are subject to IFIS requirements. Please contact the Gazette office at 416 326-5310 or at mbs.GazettePubsOnt@ontario.ca.