



# The Ontario Gazette

## La Gazette de l'Ontario

Vol. 138-29  
Saturday, 16th July 2005

Toronto

ISSN 0030-2937  
Le samedi 16 juillet 2005

### Ontario Highway Transport Board

Periodically, temporary applications are filed with the Board. Details of these applications can be made available at anytime to any interested parties by calling (416) 326-6732.

The following are applications for extra-provincial and public vehicle operating licenses filed under the Motor Vehicle Transport Act, 1987, and the Public Vehicles Act. All information pertaining to the applicant i.e. business plan, supporting evidence, etc. is on file at the Board and is available upon request.

Any interested person who has an economic interest in the outcome of these applications may serve and file an objection within 29 days of this publication. The objector shall:

1. complete a Notice of Objection Form,
2. serve the applicant with the objection,
3. file a copy of the objection and provide proof of service of the objection on the applicant with the Board,
4. pay the appropriate fee.

Serving and filing an objection may be effected by hand delivery, mail, courier or facsimile. Serving means the date received by a party and filing means the date received by the Board.

LES LIBELLÉS DES DEMANDES PUBLIÉES CI-DESSOUS SONT AUSSI DISPONIBLES EN FRANÇAIS SUR DEMANDE.

Pour obtenir de l'information en français, veuillez communiquer avec la Commission des transports routiers au 416-326-6732.

**Voyage Bernard Gendron Inc. (o/a Voyages Gendron) 46480**  
**1465 Boul. Mrg. Langlois, Salaberry-de-Valleyfield, QC J6S 1C2**

Applies for an extra provincial operating licence as follows:

For the transportation of passengers on a chartered trip from points in the Province of Québec as authorized by the Province of Québec from the Ontario/Manitoba, Ontario/Québec and Ontario/U.S.A. border crossings

1. to points in Ontario
2. in transit through Ontario to the Ontario/Manitoba, Ontario/Québec, and Ontario/U.S.A. border crossings for furtherance

and for the return of the same passengers on the same chartered trip to point of origin.

PROVIDED THAT there be no pick-up or discharge of passengers except at point of origin.

**Lisa Fera de Morales (Kids Kabbie) 45069-A**  
**716-309 Major Mackenzie Dr. E., Richmond Hill, ON L4C 9V5**

Applies for an amendment to public vehicle operating licence PV-4167 as follows:

For the transportation of students who are attending schools and or daycare in the Regional Municipalities of Peel, York and Halton, and the City of Toronto, between the residences of the students and their schools and or daycare located in the Regional Municipalities of Peel, York, Halton and the City of Toronto.

PROVIDED THAT the licensee be restricted to the use of Class "D" public vehicles as defined in subsection 1 of Section 7 of Regulation 982 under the Public Vehicles Act, RSO 1990, Chapter P. 54, each having a maximum seating capacity of twelve (12) passengers exclusive of the driver.

PROVIDED FURTHER THAT the current terms of PV-4167 be cancelled.

**Laidlaw Transit Ltd. 29594-A8/A9/A10**  
**3221 North Service Rd., P. O. Box 5028, Burlington, ON L7R 3Y8**

Applies for the approval of transfer of extra provincial operating licence X-826, public vehicle operating licence PV-2218 and public vehicle (school bus) operating licence PVS-3239 all now in the name of B. R. Babcock Limited, 117 Hillview Drive, Beamsville, ON L0R 1B0.

**29594-A11/A12/A13/A14**

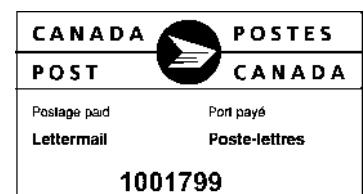
Applies for the approval of transfer of extra provincial operating licence X-3389, public vehicle operating licence PV-5288 and public vehicle (school

Published by Ministry of Government Services  
Publié par Ministère des Services gouvernementaux

© Queen's Printer for Ontario, 2005  
© Imprimeur de la Reine pour l'Ontario, 2005



2025



bus) operating licences PVS-8130 and PVS-3067 all now in the name of C. Seeley's Bus Lines Limited, Box 2144, Prescott, ON K0E 1T0.

**29594-A15/A16/A17/A18/A19/A20/A21/A22/A23/A24/A25  
A26/A27/A28/A29/A30/A31/A32/A33/A34/A35/A36  
A37/A38/A39/A40/A41/A42/A43/A44/A45/A46/A47  
A48/A49/A50/B1/B2/B3/B4/B5/B6/B7/B8/B9/B10  
B11/B12/B13/B14/B15/B16/B17/B18/B19/B20/B21  
B22/B23/B24/B25/B26/B27/B28/B29/B30/B31/B32  
B33/B34/B35/B36/B37/B38/B39/B40/B41/B42/B43**

Applies for the approval of transfer of the following licences all now in the name of Charterways Transportation Limited, Box 847, Station "B", London, ON N6A 4Z3:

Extra provincial operating licences: X-465-T1, 200-T1, 210-T2, 190-T1, 185-T1, 105-T1, 84-T1, 63-T1, 83-T1, 407, 405, 195, 105, 80, 83, 75, 63, 84, 149, 155, 1300, 1326, 1343, 1363;

Public vehicle operating licences: PV-73, 1519, 1533, 1560, 1650, 1675, 1578, 1685, 1690, 1723, 1766, 1818, 1853, 1866, 1877, 1881, 1920, 1952, 1971, 1978, 1996, 2008, 2020, 2062, 2075, 2121, 2143, 2188, 2201, 2228, 2403, 2416, 2526, 2528, 2539, 2748, 2761, 3172, 3334, 4095, 1439;

Public vehicle (school bus) operating licences: PVS-554, 2442, 1038, 2837, 3287, 3650, 4669, 5063, 6066, 6572, 6595, 6966, 6995, 7817.

(138-G832) FELIX D'MELLO  
Board Secretary/Secrétaire de la Commission

## Government Notices Respecting Corporations Avis du gouvernement relatifs aux compagnies

### Notice of Default in Complying with the Corporations Tax Act Avis d'inobservation de la Loi sur l'imposition des corporations

The Director has been notified by the Minister of Finance that the following corporations are in default in complying with the *Corporations Tax Act*.

NOTICE IS HEREBY GIVEN under subsection 241 (1) of the *Business Corporations Act*, that unless the corporations listed hereunder comply with the requirements of the *Corporations Tax Act* within 90 days of this notice, orders will be made dissolving the defaulting corporations. All enquiries concerning this notice are to be directed to Corporations Tax Branch, Ministry of Finance, 33 King Street West, Oshawa, Ontario L1H 8H6.

Le ministre des Finances a informé le directeur que les sociétés suivantes n'avaient pas respecté la *Loi sur l'imposition des corporations*.

AVIS EST DONNÉ PAR LA PRÉSENTE que, conformément au paragraphe 241 (1) de la *Loi sur les sociétés par actions*, si les sociétés citées ci-dessous ne se conforment pas aux prescriptions énoncées par la *Loi sur l'imposition des corporations* dans un délai de 90 jours suivant la réception du présent avis, lesdites sociétés se verront dissoutes par décision. Pour tout renseignement relatif au présent avis, veuillez vous adresser à la Direction de l'imposition des sociétés, ministère des Finances, 33, rue King ouest, Oshawa, Ontario L1H 8H6.

Name of Corporation: Dénomination sociale de la société:	Ontario Corporation Number Numéro de la société en Ontario
--	--

#### 2005-07-16

ANGELIC MEMORIES LTD.	001341649
ANGLING SPORTS INC.	001358638
ASBESTOS WORKERS PENSION FUND REP (5) INC.	001297489
ASIMCO MARKETING INC.	001316995
B. R. PEEBLES HOLDINGS INC.	001268089
BELMONT VILLAGE DELI INC.	001011288
BRADFORD 1 HR PHOTO CAMERA CENTRE INC.	000852639
CANADIAN MORTGAGE CORPORATION	001021008
CAREFREE REFRIGERATION LTD.	001035191
CLEER BEVERAGES INC.	001296932
D. E. PENNEY CONSTRUCTION LIMITED	000205584
DANNY'S FLOORING INC.	001015471
DEADLY CURRENT PRODUCTIONS LTD.	001153968
DEE MAX INTERNATIONAL INC.	001311702
DELIGHTFUL DELI INC.	001106936
DENISON TECHNOLOGIES INC.	001361685

Name of Corporation: Dénomination sociale de la société:	Ontario Corporation Number Numéro de la société en Ontario
EXTENSIONS PRODUCT DESIGN INC.	001086413
FALLMONT FARMS INC.	000800010
FENELLA WELL DRILLING INC.	000640791
FOO & ANG CO. LTD.	000851092
G.F. RAAFLAUB INC.	001031551
H & H FURNITURE INC.	000953687
H. LIBMAN PROPERTIES LIMITED	000517002
HAWKESBURY HOLIDAY MOTEL & RESTAURANT INC.	000746635
HCN PROVIDERS INC.	001291570
HOULT & ASSOCIATES INC.	001062794
INNOVATIVE GOLF PRODUCTS INC.	000987145
JEBTIER ENTERPRISES LTD.	000294118
KENSON CONTRACTING CORP.	000914576
KINTYRE & COMPANY LTD.	001248821
LA SPIAGGIA INC.	001244528
LAKERIDGE ENVIRONMENTAL INC.	001138307
LUCIDITY DESIGN CORP.	001052189
LUSH REALTY CORP.	001008673
M. DAGSVIK MECHANICAL CONTRACTORS LTD.	000799777
MACKAY'S FAST FOOD RESTAURANTS LIMITED	000441430
MASCOTE ENTERPRISE LTD.	001004860
MOONBEAM GROCERIES LIMITED	001221479
MOUNTAIN FURNITURE COMPANY LIMITED	000098775
N.T.K. FURNITURE LTD.	001310815
NENTHEAD MANAGEMENT LIMITED	000564588
PALADIN LITERARY HOLDINGS INC.	000749202
PEEL SEWING CENTRES LTD.	000995604
PROFESSIONAL CHOICE SERVICING ENGINEERS (PCSE) INC.	001105102
R & A TRUCK AND TRAILER REPAIR INC.	001440191
REVA & BEN ENTERPRISES LTD.	001277127
ROAD SAVERS ONTARIO LTD.	000481870
RONY HADDAD DRUGS LTD.	001031338
RUSHMAC MEDICAL LTD.	001325265
SAPHIRE CONSULTING SERVICES INC.	001238794
SAUL GOLDSTEIN INSURANCE BROKERS INC.	000976949
STEVE & COLLETTE HILL MANAGEMENT INC.	001174844
SUPER GREEN CUISINE INC.	001294521
SURE-CUT INDUSTRIES LTD.	001014979
T N T AUTO REPAIR LIMITED	001207307
THE DOMINION HOUSE TAVERN INC.	001088005
THE GODDESS OF EDEN TANNING SPA INC.	001322642
THE LAROCHE ENGINE CLINIC CORP.	001457692
THE 3 B RESTAURANT INC.	000492739
TIER AUTOMOTIVE INC.	001206039
TIMBERLANE COTTAGE RESORT INC.	001182575

Name of Corporation: Dénomination sociale de la société:	Ontario Corporation Number Numéro de la société en Ontario
TRI-DELTA BUILDING GROUP INC.	000951523
TRICIA-LOU DEVELOPMENTS LTD.	001245210
TRINKETS INCORPORATED	000455709
TRUE NORTH TRAINING CENTRE LTD.	000759084
VEENSTRA ELECTRIC LTD.	000998046
VISUAL-EYES MEDIA INC.	001019096
WILEY'S SPORTS PUB INC.	001117352
ZELDA PRESENTATIONS INC.	001012778
ZERO FIBRE INCORPORATED	001307475
1001732 ONTARIO INC.	001001732
1007190 ONTARIO LTD.	001007190
1022863 ONTARIO LIMITED	001022863
1026608 ONTARIO INC.	001026608
1043406 ONTARIO INC.	001043406
1052804 ONTARIO INC.	001052804
1054504 ONTARIO LTD.	001054504
1077885 ONTARIO INC.	001077885
1080774 ONTARIO LIMITED	001080774
1081564 ONTARIO LTD.	001081564
1112236 ONTARIO INC.	001112236
1124998 ONTARIO LTD.	001124998
1147556 ONTARIO LTD.	001147556
1149191 ONTARIO INC.	001149191
1187351 ONTARIO INC.	001187351
1191013 ONTARIO INC.	001191013
1193584 ONTARIO LTD.	001193584
1213344 ONTARIO INC.	001213344
1252475 ONTARIO INC.	001252475
1254661 ONTARIO INC.	001254661
1283953 ONTARIO INC.	001283953
1304238 ONTARIO INC.	001304238
1325691 ONTARIO INC.	001325691
1340756 ONTARIO LTD.	001340756
1352401 ONTARIO INC.	001352401
1385216 ONTARIO INC.	001385216
1390177 ONTARIO INC.	001390177
1425492 ONTARIO LTD.	001425492
1492892 ONTARIO LIMITED	001492892
562675 ONTARIO LTD.	000562675
581352 ONTARIO LIMITED	000581352
599460 ONTARIO INC.	000599460
653154 ONTARIO LIMITED	000653154
663058 ONTARIO LTD.	000663058
701764 ONTARIO LTD.	000701764
712836 ONTARIO LIMITED	000712836
736876 ONTARIO INC.	000736876
768183 ONTARIO INC.	000768183
811326 ONTARIO INC.	000811326
849706 ONTARIO LIMITED	000849706
877012 ONTARIO INC.	000877012
905620 ONTARIO LIMITED	000905620
933552 ONTARIO LTD.	000933552
955715 ONTARIO INC.	000955715

B. G. HAWTON,  
 Director, Companies and Personal Property  
 Security Branch  
 Directrice, Direction des compagnies et des  
 sûretés mobilières

(138-G823)

## Cancellation of Certificates of Incorporation (Corporations Tax Act Defaulters) Annulation de certificats de constitution (Non-respect de la Loi sur l'imposition des corporations)

NOTICE IS HEREBY GIVEN that, under subsection 241 (4) of the *Business Corporations Act*, the Certificates of Incorporation of the corporations named hereunder have been cancelled by an Order dated 20 June, 2005 for default in complying with the provisions of the *Corporations Tax Act*, and the said corporations have been dissolved on that date.

AVIS EST DONNÉ PAR LA PRÉSENTE que, conformément au paragraphe 241 (4) de la *Loi sur les sociétés par actions*, les certificats de constitution dont les 20 juin 2005 pour non-respect des dispositions de la *Loi sur l'imposition des corporations* et que la dissolution des sociétés concernées prend effet à la date susmentionnée.

Name of Corporation: Dénomination sociale de la société:	Ontario Corporation Number Numéro de la société en Ontario
--	--

2005-06-20	
A.S.H. REHAB CONSULTANTS INC.	001152642
ABSOLUTE PARALEGAL INC.	001159631
ACCUCALL TELESERVICES INC.	001156584
ADAMS TRANSPORTATION & LOGISTICS INC.	001160587
ADIO PROFESSIONAL MANAGEMENT INC.	000599299
ADVANTAGE INFORMATION MANAGEMENT SOLUTIONS INC.	001156934
AFFINITY PHARMA INC.	001169704
AFM COMMUNICATIONS INC.	001150221
AGE AUTO GARAGE LTD.	001435867
AH WANNA TALK COMMUNICATIONS CORP.	001159702
AIRDRIE COATING SYSTEMS INC.	001163948
ALLEGRO MARKETING GROUP CORPORATION	001169469
ALPHA GLOBAL ENTERPRISES AND SERVICES INC.	001154604
AM-CAN AIR INC.	001153563
AMB AUTO COLLISION & MECHANICAL INC.	001156012
AMBULATORY SERVICES OF CANADA INC.	001164699
AMCAN PROMOTIONS LTD.	001166691
AMERICA CAFE INC.	001165128
AMPER ASSOCIATES LTD.	001153564
ANGEL PLASTICS LIMITED	001155795
APCC ONTARIO INC.	001168231
APEX REALTY SYSTEMS INC.	001156389
ARKAY FIRE SYSTEMS INC.	001146631
ARTIFEX CREATIVE EMPRISE LTD.	001162566
A'MAC RACING INC.	000902788
ASCENT CANADA APPAREL INC.	001164174
ASCENTIA GROUP INC.	001149777
ASIA TRADING SYSTEM INC.	001165154
ASSURED MARKET FUND LTD.	000655278
AULGONN CAPITAL INCORPORATED	001148347
AUTOMOTIVE AFTERMARKET SUPERCENTRE INC.	001161783
AVI CABLE PLUS CORP.	001159213
AWAZ-A-PANTH (84) INC.	001146711
A1 FACTORY PRODUCTS INC.	001149767
B & P TORONTO INVESTMENT INC.	001153208
B & W CORP.	001154684
BAGEL BLVD. INC.	001167715
BALEX TRADE & INVESTMENT COMPANY LTD.	001352346
BALH CANADA INC.	001165284
BARON FINANCE CORPORATION	001154711
BASIC CAPITAL DEVELOPMENTS INC.	001153935
BAY STREET GOLF ACADEMY INC.	001167363
BESTWAY FOODS INC.	001166758
BETTER DAYS PRODUCTIONS UK LTD.	001169021
BEWE INC.	001110388

Name of Corporation: Dénomination sociale de la société:	Ontario Corporation Number Numéro de la société en Ontario
BLACKSTAR PETROLEUM INC.	001158834
BLUEFISH INDUSTRIAL SOFTWARE COMPANY LIMITED	001158384
BOARDWALK ENTERPRISES INC.	001154969
BOND GM&P HOLDING CORPORATION	001161290
BRADGATE ARMS (1996) INC.	001167636
BRADGATE ARMS MANAGEMENT INC.	001167637
BRIAR HOLDING COMPANY LTD.	001156099
BROADCAST ELECTRONIC PUBLISHING INC.	001169706
BROWN BETTY INDUSTRIES LTD.	001015739
BUSINESS DIRECT MARKETING & PROMOTIONS INC.	001154378
C & S SECURITY SYSTEMS LTD.	001150578
C. K. CONSULTING AND MANAGEMENT SERVICES INC.	001162593
C. SMITH ASSOCIATES INC.	001165093
C.I.B. INVESTIGATIONS INC.	001146603
CACOMA LIMITED	001153295
CALEDON CUSTOM SPRAY PAINTING INC.	001155079
CANADIAN AUTO CENTRE INC.	001303696
CANADIAN CHICKEN HUT INC.	001389246
CANADIAN MAINTENANCE & ENGINEERING SERVICES INC.	001156864
CANADIAN-RUSSIAN BUSINESS CENTRE INC.	001152796
CANATECH INTERNATIONAL CO. LTD.	001155803
CANDOU CORPORATION	001353979
CARIBBEAN INTERNATIONAL AIRWAYS INC.	001153296
CARRIERS TRAVEL INC.	000855156
CAS INTERCULTURAL EXCHANGE INC.	001152305
CD DUPLICATING (ONTARIO) LTD.	001163376
CEILIDH CATERING INC.	001164036
CELLUNET COMMUNICATIONS INC.	001153865
CERTA HOME MART INC.	001153550
CHAE DAE MARTIAL ARTS ACADEMY INC.	001170374
CHARLIE & MARC ENTERPRISES (CANADA) INC.	001152392
CHOICE FRANCHISE CONCEPTS INC.	001155725
CHORNIUK ENTERPRISES INC.	001158150
CLEANHEAD PRODUCTIONS INC.	001343007
CODESOFT CONSULTING INC.	001155820
COMMONWEALTH GOLF PROPERTIES INC.	001165163
COMMUNITY GIFT BASKET INC.	001146377
CONCEPT 1 COMMUNICATIONS, INC.	001157470
CONCEPTUAL TECHNOLOGIES INC.	000948613
CONSTRONG REHABILITATION CENTRE INC.	001168903
CONSULWAL TECHNOLOGIES INC.	001167365
CONTINENTAL AUTO REPAIRS AND SALES INC.	001146781
COOKSVILLE PAINT & DECORATING INC.	001226493
CORBYS MENS WEAR LIMITED	001149577
CORPORATE TRANSITIONS INC.	001154234
COTTON OPTIONS INC.	001163108
COZY FASHIONS INC.	001160468
CRONA IMPEX CORPORATION	001162128
CRUISE TRAVEL CENTRE INC.	001157554
CWCR CANADA WIDE CONSTRUCTION & RECYCLE LTD.	001158628
DAE HAN TRAVEL INC.	001163142
DANIM-BOSE CANADA LTD.	001169157
DATA-TEL ELECTRIC INC.	001154952
DECORMAX INC.	001168432
DELPHIAN FINANCIAL SERVICES INC.	001159033
DELTA SALVORS & RECOVERY INC.	001151172
DEMEC LIMITED	001152645
DENBUR HEALTH PRODUCTS INC.	001153481
DETAIL FRAMING INC.	001167630
DIMAX CONSTRUCTION LIMITED	001332812
DIRECT IMPRESSIONS INC.	001126515
DMX CONSTRUCTION LTD.	001156020
DOMCO CORPORATION ONTARIO	001162264
DOMINIC & SON PAINTING LTD.	001161214
DON GILLIS MUSIC PRODUCTIONS INCORPORATED	000570045

Name of Corporation: Dénomination sociale de la société:	Ontario Corporation Number Numéro de la société en Ontario
DONG-SUH YOUTH CULTURAL EXCHANGE CENTER LTD.	001149170
DORAL TECHNOLOGIES INC.	001166197
DORSET CONSERVATION INC.	000654192
DOUCETTE'S INC.	001166079
DRI MASTER TECHNOLOGIES INC.	001164613
DUNLOP TRANSPORT INC.	000848081
DURATECH INDUSTRIES INC.	001156458
DYNASTY PROFESSIONAL EQUIPMENT CORPORATION	001166177
E.A.A. INTERNATIONAL (CANADA) INC.	001162567
E&M AUTOMOTIVE LTD.	001154858
EAGLE BIRDIE GOLF INC.	001170100
EASTERN CANADA EDUCATION SERVICES INC.	001162552
EASTERN PACIFIC ELECTRICITY CORPORATION	001159713
ELEVISION ADVERTISING INC.	001153799
ELIS GROUP INCORPORATED	001142172
ELLAS INTERNATIONAL TRADING GROUP LTD.	001156150
ENTIMAR MARKETING INC.	001169071
EPPLER FINANCIAL LTD.	001168896
ERP SYSTEMS INTERNATIONAL INC.	001146641
EUROHOTELS INC.	001158050
EUROPA CORPORATION	001162033
EX-TECH, SALES & SERVICE INC.	000796250
EXPO PLUS INC.	001156460
EXPRESS COFFEE (1999) LTD.	001149952
F. V. MOLLOY COMPUTER CONSULTING INC.	001169078
F/X CORPORATION	001045168
FAIHA INCORPORATED	001165489
FAIRDINKUM AUSSIE (FPK) INC.	001327723
FAIRDINKUM AUSSIE OUTFITTERS U.C. INC.	001284526
FAIRVIEW OIL INC.	001165495
FALLOWFIELD FINANCIAL SERVICES INC.	001150279
FAMILY FOREVER INC., ...YOUR FAMILY HERITAGE ON VIDEO	001163369
FAR EAST OVERSEAS INC.	001151615
FARCH IRAN INC.	001167318
FATIMA CULTURAL ACTIVITIES INC.	001155323
FBSF INC.	001153471
FERNMAR INDUSTRIES LIMITED	000231604
FERRARA JERUM INTERNATIONAL LIMITED	001161141
FILM WATCH INC.	001164460
FIRST FIRE ROCK OIL AND GAS LTD.	001334384
FOREIGN AFFAIR LIMITED	001170004
FORMIRA LTD.	001164204
FRIMA MACHINING INC.	001150715
FRUSTUM INC.	001156865
FUN BOYS INC.	001149954
FUTURE FRICTION INC.	001153629
FUTURETRON LTD.	000601576
G. SALEX OF CANADA LTD.	001165705
G. T. AIRLINES INC.	001158498
GALACTICA INTERNATIONAL INC.	001161179
GAV-TEK WINTER ROAD RESTORATION INC.	001145598
GENMAR INTERNATIONAL TRADING (CANADA) CO. LTD.	001150401
GERALD LADEROUTE LAND CLEARING LIMITED	001152977
GIANT.COM INC.	001158647
GLOBAL TRANSMISSION INC.	001153600
GLOBE CAPITAL CORPORATION	001167221
GOBAR CONSTRUCTION LTD.	001166195
GOLDCREST DRYWALL CONTRACTORS LTD.	001156021
GOLFPLUS VACATIONS INC./VACANCES GOLFPLUS INC.	001304214
GOLION FINANCIAL CONSULTANTS LTD.	001149251
GPT EXPRESS LIMITED	001159016
GRAND CENTRAL REHAB CENTRE INC.	001152416
GREAT LAKES MARINE MISS. LTD.	001325503
GUIDEPOST ONE LTD.	001158153
HANI INTERNATIONAL INC.	001154617
HARWOOD MANAGEMENT ASSOCIATES INC.	001170132

Name of Corporation: Dénomination sociale de la société:	Ontario Corporation Number Numéro de la société en Ontario	Name of Corporation: Dénomination sociale de la société:	Ontario Corporation Number Numéro de la société en Ontario
HAYDEN COMMUNICATIONS INC.	000937626	LUXIMA CORPORATION	001154710
HEDGEWOOD LANDSCAPING INC.	001155230	M.I. VIGLE CORPORATE SERVICES INC.	001142692
HEDI MACHINE TOOL LTD.	001165624	M.S.R. INDUSTRIES INC.	001152864
HEMCO PROPERTIES CORPORATION	001165724	M.Y. EQUIPMENT INC.	001156046
HERITAGE EGYPTIAN ARABIAN BLOODSTOCK INVESTMENTS VIII INC.	001159848	MACDONALD AFFLECK MANAGEMENT CORP.	001150053
HIGHCLASS TELECOM INC.	001151655	MAKIBATRADE INC.	001150508
HIGLEY FLOW EQUITIES LTD.	001166300	MANDIC BROS. DRYWALL & CONST. LTD.	000334023
HOIFATT IMPORT & EXPORT LTD.	001152275	MAPLE PARK REALTY LTD.	001163149
HOIFAT LTD.	001151930	MARATHEA INTERNATIONAL INC.	001167682
HONG HUA INTERNATIONAL LIMITED	001157409	MARELL MANAGEMENT INC.	001149063
HSUPER MANAGEMENT CORPORATION	001166398	MARSHALL'S FRUIT & VEGETABLE BROKERS INC.	001149190
HTC INC.	001154224	MARVIN & SINCLAIR CONTRACTORS INC.	001165649
HTC INTERNATIONAL TRADING INC.	001163880	MARY'S MODELS & TALENT INC.	001152636
HUDSON FIRE SYSTEMS INC.	001167277	MAXIMUM SALES (1996) CORPORATION	001168880
ICE PICTURES INC.	001150804	MCLEAN ENTERPRISES INC.	001154009
ICEE (GUYANA) LTD.	001152072	MEBYAS ENTERPRISES INC.	001149382
IKW HOMES INC.	001153959	MEDIA WORKSHOP INC.	001146507
IN SHED ENTERPRISES INC.	001152425	MEDIVAC TECHNOLOGIES INC.	001146735
IND ONLINE CORP.	001149312	MEGA BIRD FARMS INC.	001162510
INDELIBLE PICTURES INC.	001155511	MERIDIAN TRANSPORTATION INC.	001170083
INDIAN MOTORCYCLE LIMITED	001165691	METROGLYPH DESIGN INC.	001165725
INDY AUTOMOTIVE REPAIRS LTD.	001164630	MIJ ENTERTAINMENT GROUP INC.	001150723
INFINICA INC.	001293816	MIKE RAMELLI HOMES LTD.	000646742
INSTANTBILLS SOFTWARE INC.	001487082	MILAN DISTILLERIES CORP.	001153676
INTERCOMNET TECHNOLOGIES INC.	001149372	MILLENIUM AIR LINK CORPORATION	001158080
INTERLINKS INC.	001163804	MILTEK MOVING INC.	001162253
INTERNATIONAL ARCHITECTURAL PRODUCTS LTD.	001157173	MIS OUT-SOURCE INC.	001157461
INTERNATIONAL COMPOSITE PANEL LTD.	001155198	MISSING LINK BIKE SHOP LTD.	001158170
INTERNATIONAL EXPORT TRAINING CENTRE INC.	001153894	MISSISSAUGA ADULT ENTERTAINMENT INC.	001149327
INTERNATIONAL SCREEN PRINTING CORP.	001197482	ML DIXIE GROUP INC.	001306856
INTERNET INTERNET INC.	001156849	MORTON HOLDINGS INC.	000986537
INTERNET REALTY INFORMATION SERVICES INC.	001164433	MOTOR CITY TRAILER MANUFACTURING LTD.	000713817
INTRENDS GROUP INC.	001153880	MR. INDIA RESTAURANT INCORPORATED	001161605
INVEST IN WEST LTD.	001161886	MUC SOFTWARE LTD.	001163326
ISLAND CAFE LIMITED	001153315	MULTIMEDIA COMMUNICATIONS DESIGN GROUP MURRAY INC.	001156936
IVY TRELIS LIMITED	001155049	MURMAR TECHNOLOGIES INC.	001161264
J. DONNELLY HOLDINGS INC.	001153558	MUSIC DESIGN (ONTARIO) INC.	001152546
J.C. CREATIONS (CANADA) INC.	000867560	MY VIPER INC.	001164861
J.D. HOUSTON CAPITAL CORPORATION	001169499	NAFTA PRODUCTIONS INC.	001164646
J.D. MATTRESS PLUS INC.	001085418	NATIONAL ROOFING INC.	000622097
JANI-GUARD CLEANING SERVICES INC.	001164121	NEW ADVANCED CONSULTING INC.	001154932
JERICO PRODUCTIONS LIMITED	001168961	NEWELL FINANCIAL SERVICES INC.	001166690
JGS RESULT LEASING INC.	001166395	NIAGARA MULTI ARTS CO. LTD.	001156945
JMSP 2000 INC.	001159051	NIKIA INTERNATIONAL LIMITED	001157495
JNC CANADA LTD.	001166227	NIVEK RENOVATION & CONTRACTING LTD.	001166917
JVS EXPORTS & IMPORTS LIMITED	001167231	NOODLES CITY INC.	001376755
K.C. KNOX INTERNATIONAL INC.	001142188	NOONDAY GRAPHICS LTD.	000681140
K.W.K.J. HOLDINGS LTD.	001150864	NORTH SEA INTERNATIONAL DEVELOPMENT INC.	001087504
KAHIROP INCORPORATED	000901100	NORTHERN HAULAGE SYSTEMS (NHS) INC.	001167218
KANLINK INTERNATIONAL INC.	001157580	NORTHWOOD GENERAL LTD.	001145510
KARMOR SALES & MARKETING INC.	001166674	OMNI ELECTROLYSIS LTD.	001163907
KAVUMA ENTERPRISES INC.	001138317	OMNI OVERSEAS MARKETING INC.	001166165
KHATTAB S. LIMITED	001156329	ONTARIO ENVIRONMENTAL, HEALTH AND SAFETY SERVICES LIMITED	001151725
KIDS SAFETY WATCH INC.	001153993	OSCAR AGENCY INC.	001159041
KIDZ SHOP COUPON ENCYCLOPEDIA INC.	001152689	OSCAR GROUP (CANADA) LTD.	001152230
KOKH IMPORTING AND EXPORTING LTD.	001154387	P.L.A.N. FINANCIAL INC.	001146623
KRIMSON CORPORATION	001152843	P&A ENTERTAINMENT INC.	001154847
KUM LEI TRADING LTD.	001164183	PANCHAM MINING GROUP LTD.	001155674
L.B. CONTRACTING LIMITED	001156866	PARADISE CASINO DEALER TRAINING ACADEMY INC.	001163958
LACORP INTERNATIONAL INC.	001169051	PEDERSEN WORLD TOURS (1996) INC.	001166906
LAIBACH YORK INC.	001169559	PEEL LOCKSMITH'S INC.	001164089
LAKESIDE MARKET INC.	001151939	PERSONALIZED SCREEN SAVERS INC.	001154310
LARJER EXPORT & IMPORT CORP.	001149666	PHINROM VENTURES INC.	001166985
LAW OF THE NATION PUBLISHING INC.	001155694	PHONE MASTER INC.	001150980
LEACH & COMPANY INVESTMENTS INC.	001142171	PING HO TRADING INC.	001156918
LEMAY ENTERPRISES INC.	001156863	PODA PROPERTY MANAGEMENT INC.	001159017
LEUS INTERNATIONAL TRADING INC.	001151722	PODESTA INC.	001149048
LORJOHN LANDSCAPING & INTERLOCK LTD.	001152822	POLARIS MUSIC PRODUCTIONS INC.	001166592
LUCKYWAY (CANADA) INTERNATIONAL INC.	001161742		

Name of Corporation: Dénomination sociale de la société:	Ontario Corporation Number Numéro de la société en Ontario
PORTUGUESE COMMUNITY WHO'S WHO IN CANADA	
INC.....	001167946
PREFERRED CLIENTELE REWARDS INC.....	001164825
PRESCOTT STUDIOS INC.....	001151937
PRICE CASINO LIMITED.....	001152757
PRIMECORP INC.....	001150594
PRIMEPLUS INTERNATIONAL INC.....	001146480
PROFESSION PACKERS INC.....	001155055
PROTECH SECURITIES INC.....	001156916
RADIANT COMMUNICATIONS LIMITED.....	001170141
RADIMISIS GENERAL CONTRACTORS LTD.....	001149121
RAINBOW-SUN CORORATION.....	001156040
RAPID DOCS CORP.....	001169511
REAL ESTATE ENGINEERING ARCHITECTURE LAND	
DEVELOPMENT INC.....	001159070
RED MAPLE GO INTERNATIONAL (CANADA) LTD.....	001169088
REFAS INC.....	000830054
REG'S PLUMBING INC.....	001024272
RENT A BUTLER INC.....	001126479
RISE SUN HOLDINGS LTD.....	001157510
RKL INTERNATIONAL REAL ESTATE LTD.....	000748696
ROB HUISMAN TRANSPORT INC.....	001161177
ROCK CHAPEL IMPORTS INC.....	001149782
ROCKLAND INTERNATIONAL CORPORATION.....	001162500
ROM 2000 LTD.....	001154908
ROSE & THISTLE COFFEE EMPORIUM LTD.....	001146345
ROUSE PUBLICATIONS INC.....	001168481
ROYAL CITY MALL LTD.....	001148291
ROYAL LEISURE PARTNERS INC.....	001156925
ROYAL MUSKOKA HOLDINGS LIMITED.....	001153948
RUMAC METAL CUT GROUP INC.....	001157062
S. THORNE ENTERPRISES LTD.....	001146216
S. WILSON & CO. ADMINISTRATIVE SERVICES INC.....	001169072
S.K. IMPORTERS & DISTRIBUTORS INC.....	001166977
SANICLE ENTERPRISES INC.....	001166055
SC ENTERTAINMENT (1996) INC.....	001164461
SECURITON INTERNATIONAL INC.....	001151154
SELF WRITE INSURANCE SERVICES INC.....	001163816
SEMANG MINERALS INC.....	001167936
SHADOW ZONE PRODUCTIONS INC.....	001153685
SHARE-TRANS INC.....	001153478
SHERBOURNE STUDIOS INC.....	001169572
SIGNATIONAL DEZIGNS LTD.....	001170150
SKILLS AT WORK INC.....	001165897
SKORBINSKI & SONS LIMITED.....	000696226
SMOOTH ROCK CAMPS INC.....	000502049
SMS MODERN HOLDCO INC.....	001328640
SNAX UNLIMITED INC.....	001149559
SOFTBOTS INC.....	001163933
SOFTPRO DATA INC.....	001170300
SOFTSTUDY EDUCATIONAL SOFTWARE INC.....	001156917
SOLEX INTERNATIONAL INC.....	001162425
SOMERVILLE ENTERPRISES (#1) INC.....	001151724
SON PICTURES INC.....	001161753
SPEED-EX COURIER INC.....	001151663
STEEL ROLL PROTECTOR INDUSTRIES INC.....	001153213
STERILEX INC.....	001154683
STEWART E. RANFT LIMITED.....	001161253
SUB SUB SUBMARINE INC.....	001156029
SUPERIOR ONE RESTORATION LTD.....	001150512
SUPERIOR PROPERTIES INC.....	001164218
SYNCRAFT MANAGEMENT INC.....	001151878
T.G.C.I.Y. 1999 INC.....	001341009
T.Y.G. INVESTMENTS INC.....	001156760
TAENIA DANSTUN CORPORATION.....	001166699
TALIBAH CONSULTANTS & TRAINERS INC.....	001157727
TALL GRASS MAINTENANCE CORPORATION.....	001169650
TANICA INTERNATIONAL INC.....	001167205
TAVSCAPE LTD.....	001167767
TECHNOLOGY PROCUREMENT CENTRE INC.....	001154692
TELEMEDICINE SERVICES INC.....	001154640

Name of Corporation: Dénomination sociale de la société:	Ontario Corporation Number Numéro de la société en Ontario
TETRATECH INC.....	001154238
THAVAJEYA ENTERPRISES LIMITED.....	001164621
THE BIG-TRUCK SERVICE CENTER INC.....	001166413
THE CRAFTER'S MARKETPLACE (#4) LTD.....	001347621
THE GREAT OUT OF DOORS INC.....	001300415
THE MAPLE GROUP INC.....	001151165
THE REAL ESTATE MANAGER INC.....	001164187
THE REWARDS GROUP INC.....	001165792
THE SAUNDRIA GROUP INC.....	001157104
THE SHOE ADVANTAGE INC.....	001149775
THE STONE GROUP IMAGINEERS INC.....	001165286
THE TODAY NEWS WORLD INC.....	001158177
THE WHARTON GROUP CORPORATION.....	001153555
THEATRE OF DANCE ARTS INC.....	001167212
THERMECH LIMITED.....	000120325
TMMK INC.....	001168813
TODBREN ENTERPRISE INC.....	001152283
TOO COOL! CANDY CORPORATION.....	001149639
TOUCHUP WORKS INC.....	001452167
TREMORS NIGHT CLUB AND CAFE INC.....	001146509
TRENT TRAIL LTD.....	001157353
TRILLIUM EXPRESS TRANSPORT INC.....	001154528
TRIP-COM INC.....	001151954
TRIRIDGE HOMES INC.....	000825320
TRUE ORGANIZED PLACE (TOP) INC.....	001334395
TUTT MARINE LTD.....	001149943
UNITED DRUG MART LTD.....	000411049
UNITED INTERACTIVE COMMUNICATIONS INC.....	001149401
UZI'S MEDITECH 2000 INC.....	001352358
V.V.K SMOKE & MILK CONVENIENCE LTD.....	001149094
VANDI'S COFFEE HOUSE LTD.....	001151630
VITOR GROUP INC.....	001150857
VOK INCORPORATED.....	001155681
VONDERHAAR MECHANICAL INC.....	001164865
WALKERS FAMILY CAMPGROUND INC.....	001142186
WALLINGFORD SYSTEMS INC.....	001155279
WE HAVE WHAT IT TAKES CORP.....	001155650
WEILAI CANADA DEVELOPMENT LTD.....	001169578
WEILAI CANADA ESTATES LTD.....	001169579
WEST GROUP HOLDINGS INC.....	001152325
WEST SECURITY INC.....	001331818
WESTDALE JEWELLERS LTD.....	001160599
WHEELS QUEST INC.....	001150840
WINTERFEST LONDON INC.....	001145442
WINWORTH ENTERPRISES LTD.....	001167817
WORLD TRADE & MARKETING GROUP OF CANADA	
LTD.....	001165137
WORLDWIDE EMPLOYMENT AND IMMIGRATION	
CONSULTING LTD.....	001152601
WORMHOLES INC.....	001168401
XENEX SOFTWARE INC.....	001168218
XLCRETE CORPORATION.....	001149155
YAMATO MANAGEMENT CORPORATION.....	001159075
YELP CORP.....	001165927
YIP & YEUNG INVESTMENTS LTD.....	001071358
ZEVCO LTD.....	001150248
1000 KING ST. E. HOLDINGS LTD.....	001069725
1013920 ONTARIO LIMITED.....	001013920
1026578 ONTARIO INC.....	001026578
1034342 ONTARIO LIMITED.....	001034342
1075807 ONTARIO INC.....	001075807
1075934 ONTARIO INC.....	001075934
1124925 ONTARIO INC.....	001124925
1126506 ONTARIO LTD.....	001126506
1126516 ONTARIO LIMITED.....	001126516
1131469 ONTARIO INC.....	001131469
1134930 ONTARIO INC.....	001134930
1134973 ONTARIO LIMITED.....	001134973
1134993 ONTARIO INC.....	001134993
1137746 ONTARIO LTD.....	001137746
1137752 ONTARIO INC.....	001137752

Name of Corporation: Dénomination sociale de la société:	Ontario Corporation Number Numéro de la société en Ontario	Name of Corporation: Dénomination sociale de la société:	Ontario Corporation Number Numéro de la société en Ontario
1137761 ONTARIO LTD.	001137761	1152924 ONTARIO LIMITED	001152924
1137774 ONTARIO INC.	001137774	1153226 ONTARIO LTD.	001153226
1137793 ONTARIO INC.	001137793	1153392 ONTARIO INC.	001153392
1138324 ONTARIO INC.	001138324	1153393 ONTARIO LTD.	001153393
1138374 ONTARIO INC.	001138374	1153531 ONTARIO LIMITED	001153531
1140667 ONTARIO INC.	001140667	1153573 ONTARIO INC.	001153573
1140705 ONTARIO LIMITED	001140705	1154180 ONTARIO INC.	001154180
1140732 ONTARIO INC.	001140732	1154206 ONTARIO LTD.	001154206
1141434 ONTARIO INC.	001141434	1154241 ONTARIO LTD.	001154241
1141526 ONTARIO INC.	001141526	1154292 ONTARIO LIMITED	001154292
1141534 ONTARIO INC.	001141534	1154347 ONTARIO LIMITED	001154347
1142123 ONTARIO LIMITED	001142123	1154396 ONTARIO LIMITED	001154396
1142748 ONTARIO LTD.	001142748	1154550 ONTARIO LIMITED	001154550
1142781 ONTARIO INC.	001142781	1154609 ONTARIO LTD.	001154609
1145231 ONTARIO LIMITED	001145231	1154621 ONTARIO INC.	001154621
1145502 ONTARIO INC.	001145502	1154719 ONTARIO INC.	001154719
1146204 ONTARIO INC.	001146204	1154728 ONTARIO INC.	001154728
1146277 ONTARIO INC.	001146277	1154764 ONTARIO LIMITED	001154764
1146301 ONTARIO LIMITED	001146301	1154941 ONTARIO INC.	001154941
1146446 ONTARIO INC.	001146446	1155003 ONTARIO LIMITED	001155003
1146510 ONTARIO INC.	001146510	1155020 ONTARIO LTD.	001155020
1146518 ONTARIO INC.	001146518	1155069 ONTARIO INC.	001155069
1146519 ONTARIO INC.	001146519	1155073 ONTARIO INC.	001155073
1146554 ONTARIO INC.	001146554	1155117 ONTARIO LIMITED	001155117
1146573 ONTARIO INC.	001146573	1155126 ONTARIO INC.	001155126
1146578 ONTARIO LTD.	001146578	1155186 ONTARIO LIMITED	001155186
1146651 ONTARIO INC.	001146651	1155187 ONTARIO INC.	001155187
1146660 ONTARIO LIMITED	001146660	1155274 ONTARIO INC.	001155274
1147069 ONTARIO INC.	001147069	1155449 ONTARIO INC.	001155449
1147098 ONTARIO LIMITED	001147098	1155634 ONTARIO INC.	001155634
1149097 ONTARIO INC.	001149097	1155733 ONTARIO INC.	001155733
1149164 ONTARIO INC.	001149164	1155787 ONTARIO INC.	001155787
1149311 ONTARIO INC.	001149311	1155819 ONTARIO INC.	001155819
1149365 ONTARIO LTD.	001149365	1155865 ONTARIO LIMITED	001155865
1149652 ONTARIO INC.	001149652	1155973 ONTARIO LIMITED	001155973
1149677 ONTARIO INC.	001149677	1156038 ONTARIO LIMITED	001156038
1149784 ONTARIO INC.	001149784	1156106 ONTARIO LIMITED	001156106
1149860 ONTARIO INC.	001149860	1156116 ONTARIO INC.	001156116
1150002 ONTARIO INC.	001150002	1156177 ONTARIO INC.	001156177
1150011 ONTARIO CORPORATION	001150011	1156185 ONTARIO INC.	001156185
1150109 ONTARIO LTD.	001150109	1156302 ONTARIO INC.	001156302
1150202 ONTARIO INC.	001150202	1156308 ONTARIO INC.	001156308
1150290 ONTARIO LTD.	001150290	1156415 ONTARIO LTD.	001156415
1150291 ONTARIO INC.	001150291	1156565 ONTARIO INC.	001156565
1150331 ONTARIO INC.	001150331	1156574 ONTARIO LTD.	001156574
1150444 ONTARIO INC.	001150444	1156943 ONTARIO INC.	001156943
1150645 ONTARIO LIMITED	001150645	1157014 ONTARIO LTD.	001157014
1150741 ONTARIO INC.	001150741	1157017 ONTARIO INC.	001157017
1150806 ONTARIO LIMITED	001150806	1157182 ONTARIO INC.	001157182
1150856 ONTARIO LIMITED	001150856	1157226 ONTARIO INC.	001157226
1150866 ONTARIO LIMITED	001150866	1157426 ONTARIO INC.	001157426
1150916 ONTARIO INC.	001150916	1157477 ONTARIO LIMITED	001157477
1150917 ONTARIO INC.	001150917	1157496 ONTARIO LIMITED	001157496
1150924 ONTARIO INC.	001150924	1157503 ONTARIO LTD.	001157503
1151081 ONTARIO INC.	001151081	1157518 ONTARIO LTD.	001157518
1151093 ONTARIO INC.	001151093	1157544 ONTARIO LIMITED	001157544
1151097 ONTARIO LIMITED	001151097	1157561 ONTARIO LTD.	001157561
1151421 ONTARIO LIMITED	001151421	1157563 ONTARIO LIMITED	001157563
1151741 ONTARIO LIMITED	001151741	1157564 ONTARIO INC.	001157564
1151853 ONTARIO LIMITED	001151853	1157579 ONTARIO INC.	001157579
1151953 ONTARIO LIMITED	001151953	1158143 ONTARIO INC.	001158143
1152002 ONTARIO INC.	001152002	1158152 ONTARIO LIMITED	001158152
1152155 ONTARIO LTD.	001152155	1158414 ONTARIO INC.	001158414
1152231 ONTARIO INC.	001152231	1158634 ONTARIO LTD.	001158634
1152291 ONTARIO LTD.	001152291	1158754 ONTARIO INC.	001158754
1152314 ONTARIO LIMITED	001152314	1158755 ONTARIO LTD.	001158755
1152366 ONTARIO LIMITED	001152366	1158862 ONTARIO INC.	001158862
1152495 ONTARIO LIMITED	001152495	1158886 ONTARIO INC.	001158886
1152727 ONTARIO INC.	001152727	1159042 ONTARIO LIMITED	001159042
1152728 ONTARIO INC.	001152728	1159092 ONTARIO LIMITED	001159092
1152823 ONTARIO LIMITED	001152823	1159094 ONTARIO LTD.	001159094

Name of Corporation: Dénomination sociale de la société:	Ontario Corporation Number Numéro de la société en Ontario
1159095 ONTARIO INC.	001159095
1159163 ONTARIO LIMITED	001159163
1159231 ONTARIO LIMITED	001159231
1159281 ONTARIO INC.	001159281
1159633 ONTARIO LIMITED	001159633
1159640 ONTARIO LTD.	001159640
1159774 ONTARIO INC.	001159774
1159801 ONTARIO INC.	001159801
1160455 ONTARIO INC.	001160455
1160469 ONTARIO INCORPORATED	001160469
1160539 ONTARIO LTD.	001160539
1161034 ONTARIO LTD.	001161034
1161194 ONTARIO LIMITED	001161194
1161197 ONTARIO INC.	001161197
1161236 ONTARIO INC.	001161236
1161257 ONTARIO LIMITED	001161257
1161292 ONTARIO INC.	001161292
1161357 ONTARIO LTD.	001161357
1161432 ONTARIO LIMITED	001161432
1161503 ONTARIO LTD.	001161503
1161584 ONTARIO LTD.	001161584
1161658 ONTARIO LTD.	001161658
1161696 ONTARIO INC.	001161696
1161751 ONTARIO LIMITED	001161751
1161780 ONTARIO LIMITED	001161780
1161799 ONTARIO INC.	001161799
1162008 ONTARIO INC.	001162008
1162112 ONTARIO LIMITED	001162112
1162130 ONTARIO LIMITED	001162130
1162131 ONTARIO LIMITED	001162131
1162261 ONTARIO INC.	001162261
1162402 ONTARIO INC.	001162402
1162502 ONTARIO LTD.	001162502
1162554 ONTARIO INC.	001162554
1162565 ONTARIO INC.	001162565
1162668 ONTARIO INC.	001162668
1162674 ONTARIO INC.	001162674
1162901 ONTARIO LTD.	001162901
1162903 ONTARIO INC.	001162903
1163850 ONTARIO INC.	001163850
1163953 ONTARIO INC.	001163953
1164205 ONTARIO INC.	001164205
1164405 ONTARIO LIMITED	001164405
1164595 ONTARIO LIMITED	001164595
1164604 ONTARIO INC.	001164604
1164798 ONTARIO INC.	001164798
1165083 ONTARIO LIMITED	001165083
1165473 ONTARIO INC.	001165473
1165734 ONTARIO LIMITED	001165734
1166163 ONTARIO INC.	001166163
1166288 ONTARIO INC.	001166288
1166342 ONTARIO INC.	001166342
1166622 ONTARIO INC.	001166622
1166677 ONTARIO INC.	001166677
1166897 ONTARIO LTD.	001166897
1166951 ONTARIO INC.	001166951
1166958 ONTARIO INC.	001166958
1166999 ONTARIO INC.	001166999
1167362 ONTARIO INC.	001167362
1167781 ONTARIO LIMITED	001167781
1167782 ONTARIO LIMITED	001167782
1167852 ONTARIO INC.	001167852
1167868 ONTARIO INC.	001167868
1167869 ONTARIO INC.	001167869
1167878 ONTARIO LIMITED	001167878
1168466 ONTARIO INC.	001168466
1168915 ONTARIO INC.	001168915
1169009 ONTARIO INC.	001169009
1169137 ONTARIO LTD.	001169137
1169485 ONTARIO INC.	001169485
1169529 ONTARIO LIMITED	001169529

Name of Corporation: Dénomination sociale de la société:	Ontario Corporation Number Numéro de la société en Ontario
1169626 ONTARIO INC.	001169626
1169688 ONTARIO INC.	001169688
1170086 ONTARIO INC.	001170086
1170092 ONTARIO INC.	001170092
1170297 ONTARIO INC.	001170297
1170305 ONTARIO INC.	001170305
1170307 ONTARIO INC.	001170307
1170317 ONTARIO INC.	001170317
1170378 ONTARIO INC.	001170378
1192403 ONTARIO INC.	001192403
1198241 ONTARIO INC.	001198241
1201502 ONTARIO INC.	001201502
1207803 ONTARIO INC.	001207803
1224335 ONTARIO INC.	001224335
1353006 ONTARIO LIMITED	001353006
1370234 ONTARIO INC.	001370234
1375461 ONTARIO LIMITED	001375461
1428491 ONTARIO INC.	001428491
1430947 ONTARIO LTD.	001430947
1438275 ONTARIO INC.	001438275
1482928 ONTARIO LTD.	001482928
310220 ONTARIO LIMITED	000310220
397398 ONTARIO INC.	000397398
6 SS LTD.	001165319
859924 ONTARIO LIMITED	000859924
945793 ONTARIO INC.	000945793
970836 ONTARIO LIMITED	000970836
984308 ONTARIO INC.	000984308
991164 ONTARIO INC.	000991164
995709 ONTARIO INC.	000995709

B. G. HAWTON,  
Director, Companies and Personal Property  
Security Branch  
Directrice, Direction des compagnies et des  
sûretés mobilières

(138-G824)

## Certificates of Dissolution Certificats de dissolution

NOTICE IS HEREBY GIVEN that a certificate of dissolution under the *Business Corporations Act*, has been endorsed. The effective date of dissolution precedes the corporation listings.

AVIS EST DONNÉ PAR LA PRÉSENTE que, conformément à la *Loi sur les compagnies*, un certificat de dissolution a été inscrit pour les compagnies suivantes : la date d'entrée en vigueur précède la liste des compagnies visées.

Name of Corporation: Dénomination sociale de la compagnie:	Ontario Corporation Number Numéro de la compagnie en Ontario
<b>2005-04-27</b>	
562059 ONTARIO LTD.	000562059
<b>2005-05-18</b>	
AURORA TANK & WELDING SUPPLIES LIMITED	000138314
DLN HOME CARE INC.	001104545
TYMODE CONSULTANTS LTD.	001129635
WIMBERLEY RESOURCES LTD.	000067160
2047424 ONTARIO LTD.	002047424
<b>2005-05-19</b>	
808877 ONTARIO LIMITED	000808877
<b>2005-05-24</b>	
DILL TOMATO PRODUCTIONS INC.	001064241
EDITCOMM INC.	000241577
ERATECH COMPUTER SYSTEMS INC.	000979351
VAXLAR TECHNICAL SERVICES INC.	000944546



Name of Corporation: Dénomination sociale de la compagnie:	Ontario Corporation Number Numéro de la compagnie en Ontario
W. KEMBALL CURRICULUM CONSULTANTS INC. ....	000650563
536598 ONTARIO LIMITED .....	000536598
<b>2005-05-25</b>	
E R P INTEGRATION SERVICES INC. ....	001409720
MAGLA IT CONSULTING INC. ....	002008966
R. RADWICK DRUGS LIMITED .....	000239594
WOODLANE DEVELOPMENTS LIMITED .....	000123514
XAC DESIGN INC. ....	001418377
1118923 ONTARIO INC. ....	001118923
1515571 ONTARIO INCORPORATED .....	001515571
<b>2005-05-26</b>	
BEAV-MAR HOLDINGS LIMITED .....	000269979
BEIJING ORIX TEST EQUIPMENT (CANADA) CORPORATION .....	001148077
D. C. INSTRUMENTATION CORP. ....	001175417
DOLL HOUSE HOMES LIMITED .....	000637551
JACMAR CONSTRUCTION LTD. ....	000475969
JENMAR CONTRACTING LTD. ....	001200429
LEAD TECH GAMES LTD. ....	001480464
SHELTER VALLEY SOFTWARE INC. ....	000914491
STEALTH GATEWAYS INC. ....	001580853
TANYA'S DELI INC. ....	001286903
UNI-PORT INTERNATIONAL INC. ....	001306402
1073336 ONTARIO INC. ....	001073336
1129881 ONTARIO LIMITED .....	001129881
1489668 ONTARIO INC. ....	001489668
1610938 ONTARIO INC. ....	001610938
859652 ONTARIO INC. ....	000859652
<b>2005-05-27</b>	
AJAX CATERERS INC. ....	001213417
B. BALON CONTRACTING LIMITED .....	000353711
BYRNE AUDIO PRODUCTS LIMITED .....	000155829
CAMGLO ENTERPRISES INC. ....	000591412
CHUNG CA TRADING INC. ....	001116983
COBURN DIRECT MARKETING INC. ....	000738396
INVERNESS MERCANTILE INC. ....	002037512
LANCE DUROCHER HEATING & COOLING LIMITED .....	000725799
LOVELESS CONSULTANTS INC. ....	000840744
MDM LTD. (ENGINEERING SERVICES) .....	001012035
MUSKOKA COMPUTER SERVICES INC. ....	000984722
NANCY WRIGHT DRUGS LTD. ....	001013934
NEOLUTION SYSTEMS INC. ....	001249589
RENNEP HOLDINGS LIMITED .....	000239113
RICHARDO INCORPORATED .....	002011319
STONERIDGE CONSULTING INC. ....	001110160
WILLIAM B. FIFE ENTERPRISES LIMITED .....	000537046
1066837 ONTARIO INC. ....	001066837
1079741 ONTARIO INC. ....	001079741
1171659 ONTARIO INC. ....	001171659
1489364 ONTARIO LIMITED .....	001489364
1499221 ONTARIO LIMITED .....	001499221
1508980 ONTARIO LIMITED .....	001508980
341663 ONTARIO LIMITED .....	000341663
757615 ONTARIO LIMITED .....	000757615
825745 ONTARIO LIMITED .....	000825745
845831 ONTARIO LIMITED .....	000845831
895258 ONTARIO LIMITED .....	000895258
<b>2005-05-30</b>	
CACH MARKETING INVESTMENT CORP. ....	001143908
CARTIER'S COUNTRY MEATS LTD. ....	000629455
COMPU-MANAGEMENT INC. ....	001029523
GPS AEROSTRUCTURES INC. ....	001509783
HEALTH HAVEN INC. ....	001025792
HEFRWA INSULAC INC. ....	000452955
MODERN TILE SUPPLY COMPANY LIMITED .....	000091269
S.W. DOUCETTE & ASSOCIATES INC. ....	000888819
SMART EGG PRODUCTIONS INC. ....	000982197
TECHSPACE CANADA, INC. ....	001424702
VAN ECK LANDSCAPING LIMITED .....	000338358
1079778 ONTARIO LIMITED .....	001079778

Name of Corporation: Dénomination sociale de la compagnie:	Ontario Corporation Number Numéro de la compagnie en Ontario
1242757 ONTARIO LIMITED .....	001242757
1301286 ONTARIO INC. ....	001301286
1439739 ONTARIO INC. ....	001439739
1462898 ONTARIO INC. ....	001462898
2031184 ONTARIO INC. ....	002031184
724042 ONTARIO LIMITED .....	000724042
933553 ONTARIO INC. ....	000933553
<b>2005-05-31</b>	
ICORR REALTY INC. ....	001480832
ONTARIO RESERVE FUND CONSULTANTS LTD. ....	002017141
PIKOM INC. ....	001536942
REG. MILLER TRANSPORT LTD. ....	001216611
RU2 INC. ....	001520223
THUMPER RV INC. ....	001470469
TRIGEN INCORPORATED .....	000862890
TRM DESIGNS INC. ....	001222297
1311677 ONTARIO LIMITED .....	001311677
820691 ONTARIO INC. ....	000820691
<b>2005-06-01</b>	
COLORPOST INC. ....	001014675
HIEP PHONG TRADING INC. ....	000744260
PROSCAPE RESIDENTIAL CONSTRUCTION LTD. ....	001039646
RJC HOLDINGS INC. ....	001110998
SEBOS INC. ....	000662904
1479312 ONTARIO INC. ....	001479312
<b>2005-06-02</b>	
ALATAR EXPORT INC. ....	001479271
HUGH'S MAINTENANCE INC. ....	000365042
IPAR-AIZEK HOLDINGS INC. ....	000882068
1083051 ONTARIO INC. ....	001083051
<b>2005-06-06</b>	
KAN-REED PHOTOGRAPHIC INC. ....	000414134
R. URRY ENTERPRISES LIMITED .....	000253537
1475736 ONTARIO INC. ....	001475736
1602804 ONTARIO LIMITED .....	001602804
<b>2005-06-07</b>	
J. A. MORRIS & SON LIMITED .....	000104264
SABRANG INC. ....	001409807
<b>2005-06-08</b>	
MAPLENEUK LUMBER & BUILDING SUPPLIES (BRECHIN) LIMITED .....	000556553
<b>2005-06-09</b>	
664759 ONTARIO INC. ....	000664759
<b>2005-06-10</b>	
COTES WYATT INTERNATIONAL INC. ....	001254470
DATSUN RECYCLING LIMITED .....	000935652
MERVIN MILLS LIMITED .....	000209866
SHADOW INDUSTRIES LTD. ....	001423054
<b>2005-06-11</b>	
937700 ONTARIO LIMITED .....	000937700
<b>2005-06-12</b>	
WELLER'S ALUMINUM PRODUCTS LIMITED .....	000396281
<b>2005-06-13</b>	
BLACK CROW HOLDINGS LTD. ....	001273092
TAN MANAGEMENT AND INVESTMENTS LIMITED ...	000380081
562088 ONTARIO LTD. ....	000562088
<b>2005-06-14</b>	
HALVO INC. ....	000523131
<b>2005-06-15</b>	
ADENCLIFFE CATERING INC. ....	001301863
B.T. CLOTHING GROUP INC. ....	001079874
CANADIAN OUTDOOR GRAPHX CORPORATION .....	001158684
ETON CONSTRUCTION LTD. ....	000394998
F & M D'AGOSTINO ENTERPRISES LTD. ....	000596828
GTA DIRECT MAILING INC. ....	001522759
MARTIN, MCCUBBIN & ASSOCIATES LIMITED .....	000387489
MIDNORTH MINING & LOGGING SUPPLIES LTD. ....	000446669
WANABEES' WARDROBE INC. ....	001146909
1081624 ONTARIO INC. ....	001081624
587094 ONTARIO INC. ....	000587094
950905 ONTARIO LIMITED .....	000950905

Name of Corporation: Dénomination sociale de la compagnie:	Ontario Corporation Number Numéro de la compagnie en Ontario
<b>2005-06-16</b>	
AUTO NOW ACCEPTANCE CORPORATION INC.	000964344
CLAY-MAX MANAGEMENT INC.	000967658
G.A. CONSULTANTS LIMITED	000668267
GOLD BOND RESTAURANTS INVESTMENT INC.	000888481
1132877 ONTARIO LIMITED	001132877
1186874 ONTARIO INC.	001186874
971726 ONTARIO INC.	000971726
991928 ONTARIO INC.	000991928
<b>2005-06-17</b>	
GLOBAL AUTO PART DISTRIBUTORS INC.	001113960
ISEPPON & SPIRONELLO CONSTRUCTION & ENGINEERING INC.	000403983
SUNNYSIDE FURNACES LIMITED	000077596
664570 ONTARIO LIMITED	000664570
<b>2005-06-18</b>	
JP TECHNOLOGIES INC.	001208824
<b>2005-06-20</b>	
CANADIAN VENTURE TRAVEL INC.	001458092
DAVE BUMBACO INCORPORATED	001425009
FABI INVESTMENT INCORPORATED	001414730
JACKMAR TRADING LTD.	001124716
KIZMO-TATRUS LTD.	001114844
MUELLER FURNITURE INC.	001079091
STEEL CANADA INTERNATIONAL INC.	001074551
THOSE GUYS ADVERTISING INC.	001067342
VERHEYDEN CONSTRUCTION LTD.	000830317
1277495 ONTARIO INC.	001277495
<b>2005-06-21</b>	
FOOD INFORMATION SERVICES INC.	001455919
JINHUI DECORATE, RENOVATE, BUILD INC.	001587971
PEI IMPORTING AND DISTRIBUTING LTD.	000413151
1328244 ONTARIO LTD.	001328244
2034355 ONTARIO INC.	002034355
722736 ONTARIO LTD.	000722736
<b>2005-06-22</b>	
AVI ROSEN REAL ESTATE, BUSINESS, & PROFESSIONAL PRACTICES INC.	
	000650524
BILL YOUNG TRUCKING LIMITED	000923356
CAK BUSINESS SOLUTIONS INC.	001612155
JUDI EVANS ENTERTAINMENT INC.	000896149
PHASE 3 INTERNATIONAL INC.	001173062
352 EGLINTON AVENUE WEST LIMITED	001494592
<b>2005-06-23</b>	
AGGIE'S VARIETY INC.	001337022
ELITE AUTO & TRUCK APPRAISALS LTD.	000473490
MFEVER INC.	001476093
STUDIO DESIGNS INTERNATIONAL INC.	001006812
TECHNICOM LIMITED	000599590
1210292 ONTARIO INC.	001210292
1274626 ONTARIO INC.	001274626
400503 ONTARIO LIMITED	000400503
<b>2005-06-24</b>	
COGREEN MANAGEMENT LTD.	000398462
GREG & MARLENE ENTERPRISES LTD.	000822012
HAWKSBY ENTERPRISES INC.	000947032
ONCAP INVESTMENT CORPORATION	001388095
R M S PAWN BROKERS INC.	001281022
ROB-EST MANAGEMENT LTD.	000310549
SABLE PARK HOMES INC.	000768851
WJJA FOODS INC.	000738695
1007899 ONTARIO INC.	001007899
1566017 ONTARIO INC.	001566017
1612032 ONTARIO INC.	001612032
447415 ONTARIO INC.	000447415
<b>2005-06-27</b>	
CAR ESTATE (1993) INC.	001037082
CEZAR'S BAKERY AND DELI INC.	001229600
E.L.M. MACHINE SERVICE INC.	001364607
EDIFICE BEAUFORT BUILDING INC.	000755759
GEORGIAN LEARNING ASSOCIATES LIMITED	001092409

Name of Corporation: Dénomination sociale de la compagnie:	Ontario Corporation Number Numéro de la compagnie en Ontario
HALDIMAND BUILDING PRODUCTS LIMITED	000228715
INFINITY HOLIDAYS INC.	001577140
L & X HAIR INC.	001621339
PHOENIX RESEARCH AND TRADING CORPORATION LIMITED	
	001105747
RAJARAM ENTERPRISE INC.	001437945
ROSELAWN STORAGE LIMITED	000108740
UNI-HORNE FARM LIMITED	000231367
VISIT USA INC.	001190845
1015157 ONTARIO LTD.	001015157
1161108 ONTARIO INC.	001161108
1264340 ONTARIO INC.	001264340
1344366 ONTARIO INC.	001344366
1465165 ONTARIO INC.	001465165
280043 ONTARIO LIMITED	000280043
630712 ONTARIO INC.	000630712
732799 ONTARIO INC.	000732799
873476 ONTARIO LIMITED	000873476
891223 ONTARIO LIMITED	000891223
912475 ONTARIO INC.	000912475
912545 ONTARIO INC.	000912545
954566 ONTARIO INC.	000954566
954567 ONTARIO INC.	000954567
954569 ONTARIO INC.	000954569
<b>2005-06-28</b>	
ADANSOFT CONSULTING INC.	001200060
ADELE STEIN LIMITED	000396952
BARRIE BUSINESS BROKERS INC.	001291405
CARRIAGE CASKETS & MEMORIALS INC.	001397983
DAICON RESIDENTIAL LTD.	000941758
DAVIS CONTROLS WENTWORTH INC.	001220636
DUNLEA CONSULTING INC.	000901434
EKMC CONSULTING INC.	001319461
FLOWERS CONCERTO LTD.	001095227
HAPPY INN RESTAURANT LTD.	000995151
INSTITUTE TO IMPROVE PROGRAM PERFORMANCE INCORPORATED	
	001065982
KEVIN WISDOM CONSULTING INC.	002031547
LA SOIREE RESTAURANT INC.	000670212
MARY M. ROSE CONSULTANTS INC.	001012410
MEI YU ENTERPRISES (CANADA) LTD.	001040183
MUSE ENTERTAINMENT (LET HER GO) INC.	001440083
ORANGEWAY GARDENS INC.	000764141
PROSRC INC.	001032226
RAGHANI ENTERPRISES INC.	001332690
ROWENAVILLE HOLDINGS LIMITED	000874724
SERENDIPITY POINT DEVELOPMENTS (WGA) INC.	001380569
SHI CANADA INC.	000886643
SIMON GOODMAN ATC CONSULTING LTD.	001491349
SNAPS DISPLAY INC.	001254082
THE ICE GROUP OF COMPANIES INC.	001141860
YAGHLEDJIAN INVESTMENT INC.	000707129
1110720 ONTARIO LTD.	001110720
1173228 ONTARIO INC.	001173228
1546799 ONTARIO INC.	001546799
40 EGLINTON AVENUE EAST HOLDINGS LIMITED	000629200
427742 ONTARIO LTD.	000427742
658714 ONTARIO LIMITED	000658714
<b>2005-06-29</b>	
A TO Z A DOLLAR LIMITED	001318346
ALTA SENSE CORPORATION	001557431
AMIROVI LEGAL SERVICES INC.	001507344
BRAFAM INVESTMENTS LIMITED	001013427
CGI MISSISSAUGA COOKSVILLE WEST INC.	001170823
COMPUPRINTON SYSTEMS (CANADA) INC.	000625759
DHAJ HOLDINGS LIMITED	000421250
GEO. A. KYDD & SONS LIMITED	000067787
MADACO SPORTSWEAR LIMITED	001088829
MANISH IMPORT EXPORT CORPORATION	000987818
MAVERICK PETROLEUM LIMITED	000240648
MULBON CORPORATION	001599484

Name of Corporation:	Ontario Corporation Number
Dénomination sociale	Numéro de la
de la compagnie:	compagnie en Ontario

PETERBOROUGH INDUSTRIAL SERVICES HOLDINGS LTD .....000736233  
 SALMAGUNDI DEVELOPMENT CORPORATION .....000734352  
 1133166 ONTARIO LIMITED .....001133166  
 1283788 ONTARIO INC. ....001283788  
 1287096 ONTARIO INC. ....001287096  
 1424546 ONTARIO LIMITED .....001424546  
 575752 ONTARIO INC .....000575752  
 821217 ONTARIO INC. ....000821217

B. G. HAWTON,  
 Director, Companies and Personal Property  
 Security Branch  
 Directrice, Direction des compagnies et des  
 sûretés mobilières

(138-G825)

## ERRATUM NOTICE Avis D'Erreur

Ontario Corporation Number 1050984

Vide Ontario Gazette, Vol. 138-26 dated June 25th 2005

NOTICE IS HEREBY GIVEN that the notice issued under section 241(4) of the Business Corporations Act set out in the issue of the Ontario Gazette with respect to the cancellation of the Certificate of Incorporation of H&B ACCOUNTING & TAX SERVICES INC. was issued in error and is null and void.

Cf. Gazette de l'Ontario, Vol. 138-26 datee du June 25th 2005

PAR LA PRÉSENTE, nous vous informons que l'avis emis en vertu de l'article 241(4) de la Loi sur les compagnies et enonce dans la Gazette de l'Ontario du relativement a l'annulation du certificat de constitution en personne morale de H&B ACCOUNTING & TAX SERVICES INC. a ete delivre par erreur et qu'il est nul et sans effet.

B. G. HAWTON,  
 Director, Companies and Personal Property  
 Security Branch  
 Directrice, Direction des compagnies et des  
 sûretés mobilières

(138-G831)

## Ontario Securities Commission

### ONTARIO SECURITIES COMMISSION NATIONAL INSTRUMENT 58-101 DISCLOSURE OF CORPORATE GOVERNANCE PRACTICES

AND

### AMENDMENTS TO MULTILATERAL INSTRUMENT 52-110 AUDIT COMMITTEES

On June 30, 2005, each of the following came into force as a rule under the *Securities Act* (Ontario):

- National Instrument 58-101 *Disclosure of Corporate Governance Practices* (the Disclosure Rule), and
- Amendments to Multilateral Instrument 52-110 *Audit Committees* (the Audit Committee Amendments).

The Disclosure Rule requires most reporting issuers to disclose their corporate governance practices and to file on SEDAR any written code

of business conduct and ethics they have adopted. The Audit Committee Amendments include consequential changes to the definition of independence found in Multilateral Instrument 52-110 *Audit Committees* to facilitate the cross reference to that definition by the Disclosure Rule. They also address a number of minor technical issues that have arisen over the past twelve months.

The full text of the Disclosure Rule is available in the Ontario Securities Commission's Bulletin at (2005) 28 OSCB 5377 and on the Commission's web site at [http://www.osc.gov.on.ca/Regulation/Rulemaking/Current/Part5/rule\\_20050617\\_58-101\\_disc-corp-gov-pract.jsp](http://www.osc.gov.on.ca/Regulation/Rulemaking/Current/Part5/rule_20050617_58-101_disc-corp-gov-pract.jsp). The full text of the Audit Committee Amendments is available in the Ontario Securities Commission's Bulletin at (2005) 28 OSCB 5387 and on the Commission's web site at [http://www.osc.gov.on.ca/Regulation/Rulemaking/Current/Part5/rule\\_20050617\\_52-110\\_audit-com-mi.jsp](http://www.osc.gov.on.ca/Regulation/Rulemaking/Current/Part5/rule_20050617_52-110_audit-com-mi.jsp).

(138-G821)

## Change of Name Act Loi sur le changement de nom

May 2005

CERTIFICATE OF PERMANENT REGISTRATION as a person authorized to solemnize marriage in Ontario have been issued to the following:

LES CERTIFICATS D'ENREGISTREMENT PERMANENTE autorisant à célébrer des mariages en Ontario ont été délivrés aux suivants:

Name	Location	Effective Date
Ngwuagwu, Michael	Thunder Bay, ON.	2-May-05
Adams, Andrew	Orillia, ON.	2-May-05
Oeste, Gordon	Toronto, ON.	2-May-05
Brehaut, Donald	Ruthven, ON.	2-May-05
Harris, Jeff	Elliott Lake, ON.	2-May-05
McKay, Matthew John	Aurora, ON.	2-May-05
Tomlinson, Devon	Brampton, ON.	2-May-05
Addawoo, Victor	Mississauga, ON.	2-May-05
Matchett, Troy	Listowel, ON.	2-May-05
Martin, Paul	Atwood, ON.	2-May-05
MacDonald, Iain	Fort Erie, ON.	2-May-05
Vuk, Mladen	Hamilton, ON.	6-May-05
Schultz, Donna	Newtonville, ON.	6-May-05
Ling, Samson	Huntsville, ON.	6-May-05
Clarke, Lindsay Gene	Ancaster, ON.	6-May-05
Baird, Joseph Norman	Orillia, ON.	6-May-05
Douglas, Diane Claire	Toronto, ON.	6-May-05
Wilson, Allan	Chesley, ON.	6-May-05
Martin, Murray	Atwood, ON.	6-May-05
Raymond, Marion	Burlington, ON.	6-May-05
McLean, Paul	Toronto, ON.	10-May-05
Bartsch, Johan K	Dresden, ON.	10-May-05
Peters, Jacob F.	Dresden, ON.	10-May-05
Sheppard, Gordon	Port Hope, ON.	10-May-05
Arnaud, Sharon	Kirkfield, ON.	10-May-05
Sigal, Paul Wilfred John	Oakville, ON.	10-May-05
Hayward, Elizabeth	Toronto, ON.	10-May-05
Newland, Lisa Robin	Toronto, ON.	10-May-05
Goudy, Terrance Dean	Ravenna, ON.	10-May-05
MacMillan, Jeffery R.	Toronto, ON.	10-May-05
Mainse, Ronald	Hamilton, ON.	13-May-05
Caton, Neil Christopher Evan	Toronto, ON.	13-May-05
Noh, Jason Hee Song	Etobicoke, ON.	13-May-05
Lee Lung, Sean Anthony	Toronto, ON.	13-May-05
Skibinski, Tomasz	Scarborough, ON.	13-May-05
Park, Hansoo	Scarborough, ON.	13-May-05
Holandez, Sherwin	Scarborough, ON.	13-May-05

Name	Location	Effective Date
Barber, Dominic	Toronto, ON.	13-May-05
Nguyen, Duy Joseph Ngoc	Toronto, ON.	13-May-05
Julien, Norris Joseph	Brampton, ON.	13-May-05
Meier, Lanny	Windsor, ON.	13-May-05
Edmison, Katherine	Gilford, ON.	18-May-05
Tomlinson, Kenneth	Desbrats, ON.	18-May-05
Waboose, Jimmy Donald	Eabametoong, ON.	18-May-05
Chang, Young Dong	Markham, ON.	18-May-05
McPhee, Floyd R.	Ottawa, ON.	18-May-05
King, Gordon William	Mississauga, ON.	18-May-05
Kim, In Sup	Richmond Hill, ON.	18-May-05
Al Nadvi, Mohammad Iqbal	Mississauga, ON.	18-May-05
Lau, Chi Ming	Richmond Hill, ON.	18-May-05
Razzaghi, Hassan	Kitchener, ON.	18-May-05
Biggs, Darrell	Fort Erie, ON.	18-May-05
Okutinyang, Oluwatoyin Ayoola	Sarnia, ON.	18-May-05
Davis, Jerry	Dresden, ON.	24-May-05
Ebrahim, Kassim Mahmood	Thornhill, ON.	25-May-05
Raza, Syed Abid	Toronto, ON.	25-May-05
Reymes-Landry, Jennifer A.	Cobourg, ON.	25-May-05
Charlebois, Peter Frederick	Thunder Bay, ON.	25-May-05
Crosby, Robin A.	Whitby, ON.	25-May-05
Hannon, Sandi	Waterloo, ON.	25-May-05
Prisley, Jason David	Toronto, ON.	25-May-05
Neher, Helmut	Timmins, ON.	25-May-05
Hannon, Anthony	Ottawa, ON.	25-May-05
Ward, Sue-Ann	Oakville, ON.	25-May-05
Ward, Jeff	Oakville, ON.	25-May-05
Beshara, Ashraf F.	Oakville, ON.	25-May-05
Ivall, Glenda Ruth	Atikokan, ON.	25-May-05
Thiessen, Ron	Aylmer, ON.	25-May-05
Kowal, Frank Andrew	Keewatin, ON.	25-May-05
Gordon, Everad Livingston	Brampton, ON.	25-May-05
Bauman, Kevin	Wellesley, ON.	25-May-05
Philip, David Lewis	Toronto, ON.	25-May-05
Gajerski-Cauley, Anne	Guelph, ON.	25-May-05
Gazdik, Paul	Georgetown, ON.	25-May-05
Legair, Robert	Brampton, ON.	25-May-05
Davis, Richard	Newmarket, ON.	25-May-05
Matthews, Shirley C.	Durham, ON.	25-May-05

**Re-Registrations**

Name	Location	Effective Date
Lunardon, Siro	Toronto, ON.	2-May-05
Power, Melvin	North Bay, ON.	2-May-05
Burnfield, Douglas	Elliott Lake, ON.	2-May-05
Sormin, Herbert	Brantford, ON.	2-May-05
Zettas, Basil	Scarborough, ON.	10-May-05
Risch, Robert	Kanata, ON.	10-May-05
Walls, David	Ajax, ON.	10-May-05
Zinck, Jonathan	Mallorytown, ON.	13-May-05
Giroux, Catherine	Kenora, ON.	18-May-05
Iwuchukwu, Oliver	Toronto, ON.	18-May-05
McTavish, John	Huntsville, ON.	18-May-05
Coles, Norman	North York, ON.	25-May-05
Tervo, Mikko A.	Sault Ste. Marie, ON.	25-May-05
Pett, David	Georgetown, ON.	25-May-05
Jones, Robert	Pictou, ON.	25-May-05
Willey, Francis S.	Toronto, ON.	25-May-05

(138-G829)

**May 2005**

CERTIFICATE OF CANCELLATION OF REGISTRATION as a person authorized to solemnize marriage in Ontario have been issued to the following:

LES AVIS DE RADIATION autorisant à célébrer des mariages en Ontario ont été délivrés aux suivants:

Name	Location	Effective Date
DeVlugt, George	Strathroy, ON.	3-May-05
Lee, Terry	Brampton, ON.	3-May-05
Diniz, Felicio	Toronto, ON.	6-May-05
Brown, Joyce	Windsor, ON.	6-May-05
Bishop, Bruce	Amherstburg, ON.	6-May-05
Shepherd, Victor	Mississauga, ON.	9-May-05
Dewit, Gerald	Harrowsmith, ON.	16-May-05
Fehr, James	Kingston, ON.	16-May-05
Gledhill, Richard	Osgoode, ON.	16-May-05
Young, Samuel	Sherkston, ON.	16-May-05
Barry, Michael	Renfrew, ON.	16-May-05
Rodgers, Wayne	Sault Ste. Marie, ON.	18-May-05
Sarlo, Ernest	Sault Ste. Marie, ON.	18-May-05
Paskins, Francis G.	Sault Ste. Marie, ON.	19-May-05
Melgarejo, Julian	Etobicoke, ON.	19-May-05
Polack, Rudolph	Kitchener, ON.	19-May-05
Samuel, Gerard	Whitby, ON.	19-May-05
Thompson, Gordon	Englehart, ON.	19-May-05
Lowe, Harold	Oshawa, ON.	19-May-05
Case, Michael	Weston, ON.	19-May-05
Carson, John B.	London, ON.	19-May-05
Karmody, David	Toronto, ON.	19-May-05
Clemens, Earl	Delhi, ON.	19-May-05

JUDITH M. HARTMAN

Deputy Registrar General/

Registraire générale adjointe de l'état civil

(138-G830)

## Marriage Act Loi sur le mariage

**June 2005**

CERTIFICATE OF PERMANENT REGISTRATION as a person authorized to solemnize marriage in Ontario have been issued to the following:

LES CERTIFICATS D'ENREGISTREMENT PERMANENTE autorisant à célébrer des mariages en Ontario ont été délivrés aux suivants:

Name	Location	Effective Date
Jones, Raymond	Oshawa, ON.	1-Jun-05
Landry, Robert	Amherstview, ON.	1-Jun-05
Vincent, Miles	London, ON.	1-Jun-05
Khalifa, Abdul Aziz	Maple, ON.	1-Jun-05
Nieuwets, Martin Darrell	Aurora, ON.	1-Jun-05
Oudri, Gerardo	Carleton Place, ON.	1-Jun-05
Daub, Andy	Chelsea, ON.	1-Jun-05
Etcovitch, Barbara	Orleans, ON.	1-Jun-05
Thomas, William Frederick	Trenton, ON.	1-Jun-05
Berg, Abraham	Aylmer, ON.	1-Jun-05
Pellow, Stephanie Andrea	Caledon, ON.	1-Jun-05
Franka, Jan	Windsor, ON.	1-Jun-05
Johnson, Robert W.	Hamilton, ON.	1-Jun-05
McGowan, Wayne	Windsor, ON.	1-Jun-05
Geurts, Walter	Belwood, ON.	1-Jun-05

Name	Location	Effective Date	Name	Location	Effective Date
Abadines, Alan	Thunder Bay, ON.	1-Jun-05	Sollows, Wayne Kenneth	Ottawa, ON.	28-Jun-05
Asor, Antolin	Toronto, ON.	1-Jun-05	Hadfield, Steven William	Pickering, ON.	28-Jun-05
<b>Kyu Sik, Cho</b>	Markham, ON.	1-Jun-05	<b>Shastri, Kamallesh</b>	Brampton, ON.	28-Jun-05
Agius, Victor	Markham, ON.	1-Jun-05	Morey, Denzil J.	Mississauga, ON.	28-Jun-05
Louka, Boules	Mississauga, ON.	1-Jun-05	Molinaro, Vera Mae	Barrie, ON.	28-Jun-05
Finn, Andrena	Peterborough, ON.	1-Jun-05	Reeve, David John	London, ON.	28-Jun-05
Dike, Jude	Brampton, ON.	1-Jun-05	Bernstein, Menachem	Richmond Hill, ON.	28-Jun-05
Gopeesingh, Zion Deborah	Scarborough, ON.	6-Jun-05	Thain, Richard	Embrun, ON.	28-Jun-05
Thaxter, Kenneth Franklin	Kapuskasing, ON.	6-Jun-05	Harding, Karl S.	Brooklin, ON.	28-Jun-05
Nwaellah, Althea	Ottawa, ON.	6-Jun-05	Summers, Stanley Allan	Kanata, ON.	28-Jun-05
Froese, Isaac	Eden, ON.	6-Jun-05	Sutherland, Donald	Kitchener, ON.	28-Jun-05
Hamel, Timothy	Midland, ON.	6-Jun-05	Vyn, Christopher M.	Peterborough, ON.	28-Jun-05
McPhee, Ron	Orillia, ON.	6-Jun-05	Brown, David P.	Ottawa, ON.	28-Jun-05
Cunningham, Dianne	Kitchener, ON.	6-Jun-05	Jackson, Tahir	Toronto, ON.	28-Jun-05
Rattai, Earle Brian	Kenora, ON.	6-Jun-05	Anyanwu, Claudine Hope	North York, ON.	28-Jun-05
Selvaraj, John Samuel	Mississauga, ON.	6-Jun-05			
Cartidge, Tammy Marie	London, ON.	6-Jun-05			
Cartidge, Shawn Christopher	London, ON.	6-Jun-05			
Dale, Michael	Bowmanville, ON.	6-Jun-05			
Heidman, Allan	Listowel, ON.	6-Jun-05			
Dewhurst, Erin	Toronto, ON.	6-Jun-05			
Okiror, Noah	London, ON.	6-Jun-05			
MacLean, Daniel Hunter	Burlington, ON.	6-Jun-05			
Park, Jung-Hee	Brownsville, ON.	6-Jun-05			
Gunn, Eloi	New Liskeard, ON.	6-Jun-05			
Grubb, Allan Charles	St. Catharines, ON.	8-Jun-05			
Rennett, Wayne Anthony	Barrie, ON.	8-Jun-05			
Woodhouse, Susan	Bright's Grove, ON.	8-Jun-05			
Watt, Neil	Toronto, ON.	8-Jun-05			
Inman, Earl John	Oshawa, ON.	8-Jun-05			
Clitheroe-Bell, Eleanor Ruth	Toronto, ON.	8-Jun-05			
Coles, John H	Bancroft, ON.	8-Jun-05			
Symons, Robert Denys	Oakville, ON.	8-Jun-05			
Derewianka, Mikolaj	Sudbury, On	10-Jun-05			
Ball, Warren	Thornhill, ON.	14-Jun-05			
Cornfield, Melinda Ann	Leith, ON.	14-Jun-05			
Burnie, Jacqueline	Bridgen, ON.	14-Jun-05			
Blondel, David M.	Peterborough, ON.	14-Jun-05			
Hanson-Kahn, Mark S.	Newmarket, ON.	14-Jun-05			
Michalowicz, Jeffrey Benjamin	Thornhill, ON.	14-Jun-05			
Dilts, Catherine Gay	Richmond Hill, ON.	14-Jun-05			
Headrick, Trevor	Ajax, ON.	14-Jun-05			
Poitras, Nicole	Sudbury, On	14-Jun-05			
Eckert, Matthew	London, ON.	14-Jun-05			
Cottrill, David	London, ON.	14-Jun-05			
Ouanounou, Aviv	Toronto, ON.	14-Jun-05			
Wood, Glen	Waterloo, ON.	14-Jun-05			
Ward, Neil	Holyrood, ON.	14-Jun-05			
Barley, Catherine	Toronto, ON.	14-Jun-05			
Shanks, Deborah J.	Guelph, ON.	14-Jun-05			
McGauley, Robin D.	Blyth, ON.	14-Jun-05			
MacDonald, Murray	Renfrew, ON.	17-Jun-05			
Bouius, Paul	Durham, ON.	17-Jun-05			
Bouius, Christine	Durham, ON.	17-Jun-05			
Smart, Karen Marie	Ajax, ON.	17-Jun-05			
Sumbler, Beverley Elizabeth	Peterborough, ON.	17-Jun-05			
Beasley, Francis	Elmvale, ON.	17-Jun-05			
Manuel, Heather	Gravenhurst, ON.	17-Jun-05			
O'Callaghan, Michael	Gatineau, QC.	17-Jun-05			
Lagona, James F.	Sherkston, ON.	17-Jun-05			
Groves, Patrick W	Thornhill, ON.	17-Jun-05			
Smith, David	Cobourg, ON.	17-Jun-05			
Madigan, Stanley	Lakefield, ON.	22-Jun-05			
Horsley, Gordon	Shelburne, ON.	22-Jun-05			
Garrett, Gail	Mt. Elgin, ON.	22-Jun-05			
Garrett, James F.	Mt. Elgin, ON.	22-Jun-05			
Watkins, Wallace	Ottawa, ON.	22-Jun-05			
Lee, Amy Yea-Kyong	Scarborough, ON.	22-Jun-05			
Levine, Paul	Arthur, ON.	22-Jun-05			
Rideout, Elaine Machell	Brampton, ON.	22-Jun-05			
Brown, Lois Elaine	Loring, ON.	22-Jun-05			

**Re-Registrations**

Name	Location	Effective Date
Polack, Rudolph	Kitchener, ON.	6-Jun-05
Spaelstra, Philip	St. Catharines, ON.	6-Jun-05
Bell, David	Cobourg, ON.	6-Jun-05
Crosby, Grover	Newmarket, ON.	14-Jun-05
McBride, Helen Grace	Kingston, ON.	14-Jun-05
Fortin, Jean-Yves	Kingston, ON.	14-Jun-05
Grubb, Joseph	Maple, ON.	17-Jun-05
Meister, Kenneth	North Bay, ON.	22-Jun-05
King, Christine	Mississauga, ON.	22-Jun-05
Forest, Glenn	Elliot Lake, ON.	22-Jun-05

(138-G826)

**June 2005**

CERTIFICATE OF TEMPORARY REGISTRATION as a person authorized to solemnize marriage in Ontario have been issued to the following:

LES CERTIFICATS D'ENREGISTREMENT TEMPORAIRE autorisant à célébrer des mariages en Ontario ont été délivrés aux suivants:

Name	Location	Effective Date
Paquette, Terry	Lachute, QC.	2-Jun-05
August 18, 2005 to August 22, 2005		
Delouchry, John Frederick	Halifax, NS.	2-Jun-05
June 29, 2005 to July 3, 2005		
Peverall, Perrie Jean	Abbotsford, BC.	2-Jun-05
September 22, 2005 to September 26, 2005		
McNeaney, Shawn	Gatineau, QC.	2-Jun-05
June 3, 2005 to June 7, 2005		
D'Souza, Thomas Pelin Xavier	Nairobi, Kenya	2-Jun-05
August 24, 2005 to August 28, 2005		
Russo, Francis X	Washington, DC.	7-Jun-05
September 1, 2005 to September 5, 2005		
De Roo, Remi J	Toronto, ON.	7-Jun-05
June 15, 2005 to June 19, 2005		
Sung, Michael	Edmonton, AB.	7-Jun-05
July 7, 2005 to July 11, 2005		
Lenz, Charles A.	Chilliwack, BC.	10-Jun-05
August 25, 2005 to August 29, 2005		
Sinclair, James	Stellarton, BC.	10-Jun-05
September 21, 2005 to September 25,		

Name	Location	Effective Date	(138-G827)
2005			
Mulligan, Philp June 30, 2005 to July 4, 2005	Riverview, NB	10-Jun-05	<b>June 2005</b>
Cane, Brett August 4, 2005 to August 8, 2005	Winnipeg, MB.	10-Jun-05	CERTIFICATE OF CANCELLATION OF REGISTRATION as a person authorized to solemnize marriage in Ontario have been issued to the following:
DeVlugt, Pieter August 25, 2005 to August 29, 2005	Mesa, AZ	10-Jun-05	
Bovenzi, Angelo D July 7, 2005 to July 11, 2005	Rochester, NY.	15-Jun-05	LES AVIS DE RADIATION autorisant à célébrer des mariages en Ontario ont été délivrés aux suivants:
Moss, Sheldon July 8, 2005 to July 12, 2005	Surprise, AZ.	15-Jun-05	
Wise, Stephen July 15, 2005 to July 19, 2005	Boca Raton, FL.	15-Jun-05	<b>Name</b>
Guest, Christina July 14, 2005 to July 18, 2005	Gatineau, QC.	15-Jun-05	<b>Location</b>
Dueck, Walter June 16, 2005 to June 20, 2005	Morden, MB.	15-Jun-05	<b>Effective Date</b>
Prendergast, Terrence July 7, 2005 to July 11, 2005	Halifax, NS.	15-Jun-05	Champagne, Jean
Lawson, Steve September 14, 2005 to September 18, 2005	Gatineau, QC.	15-Jun-05	Price, Glenroy Rudolph
Firth, Sheila July 18, 2005 to July 22, 2005	Cold Lake, AB.	15-Jun-05	Lockhart, George Y.
Seo, Dong Chun July 21, 2005 to July 25, 2005	Olds, AB.	17-Jun-05	Jones, Derwyn
Moore, Robert John June 21, 2005 to June 25, 2005	Strathmore, AB.	17-Jun-05	Chapman, Joel
Chen, Hilda September 2, 2005 to September 6, 2005	Toronto, ON.	17-Jun-05	Oliver, Alan
Dallaire, Gilles August 18, 2005 to August 22, 2005	Montreal, QC.	17-Jun-05	Moonjely, Paul V.
Norris, Stephen August 18, 2005 to August 22, 2005	Calgary, AB.	22-Jun-05	Blundell, Patricia
Bishop, Barbara Evelyn October 13, 2005 to October 17, 2005	Paradise, NS.	22-Jun-05	Sjajsavljevich, Stevo
Helou, Robert June 30, 2005 to July 4, 2005	Montreal, QC.	22-Jun-05	Berends, Berend
Chatman, Nelson Robert Joseph August 4, 2005 to August 8, 2005	Hodge's Cove, NF.	22-Jun-05	Toronto, ON.
Bailey, Robin July 28, 2005 to August 1, 2005	Cochrane, AB.	22-Jun-05	St. Catharines, ON.
Derkson, Katie Ann August 11, 2005 to August 15, 2005	Winnipeg, MB.	22-Jun-05	Campbellville, ON
Lehotsky, Harry July 20, 2005 to July 24, 2005	Winnipeg, MB.	22-Jun-05	Toronto, ON.
O'Neill, T. Andrew. J. June 23, 2005 to June 27, 2005	Toronto, ON.	22-Jun-05	Bancroft, ON.
Arciaga, Daniel June 24, 2005 to June 28, 2005	Addison, IL.	24-Jun-05	Toronto, ON.
Skinner, Dale Stuart July 20, 2005 to July 24, 2005	Knowlton, QC	24-Jun-05	North Bay, ON.
Ives, Rodney September 15, 2005 to September 19, 2005	Comox, BC.	24-Jun-05	North Bay, ON.
Beane, Larry L July 28, 2005 to August 1, 2005	Kenner, LA.	24-Jun-05	Ottawa, ON.
O'Brien, Leona Ruth June 30, 2005 to July 4, 2005	Summerside, PEI.	30-Jun-05	Hepworth, ON.
Peterson, Wayne Walter July 6, 2005 to July 10, 2005	Pine River, MN.	30-Jun-05	Pictou, ON.
Mullin, Paula August 18, 2005 to August 22, 2005	Shawville, QC.	30-Jun-05	Toronto, ON.
Harper, Catherine A. July 22, 2005 to July 26, 2005	Weyburn, SK.	30-Jun-05	New Hamburg, ON.
Vigneault, Andre July 14, 2005 to July 18, 2005	Ste-Sophie, QC.	30-Jun-05	Willowdale, ON.
Watts, David Ronald August 11, 2005 to August 15, 2005	Silver Spring, Maryland	30-Jun-05	Guelph, ON.
			Renfrew, ON.
			Scarborough, ON.
			Bayfield, ON.
			Huntsville, ON.
			Ottawa, ON.
			Kingston, ON.
			Scarborough, ON.
			Thornhill, ON.
			Orangeville, ON.
			Scarborough, ON.
			Woodstock, ON.
			Toronto, ON.
			Toronto, ON.
			Ayr, ON.
			Kitchener, ON.
			London, ON.
			Wawa, ON.
			Ottawa, ON.
			Kitchener, ON.
			(138-G828)

**Applications to  
Provincial Parliament — Private Bills  
Demandes au Parlement  
provincial — Projets de loi d'intérêt privé**

**PUBLIC NOTICE**

The rules of procedure and the fees and costs related to applications for Private Bills are set out in the Standing Orders of the Legislative Assembly. Copies of the Standing Orders, and the guide "Procedures for Applying for Private Legislation", may be obtained from the Legislative Assembly's Internet site at <http://www.ontla.on.ca> or from:

Committees Branch  
Room 1405, Whitney Block, Queen's Park  
Toronto, Ontario M7A 1A2

Telephone: 416/325-3500 (Collect calls will be accepted)

Applicants should note that consideration of applications for Private Bills that are received after the first day of September in any calendar year may be postponed until the first regular Session in the next following calendar year.

(8699) T.F.N. CLAUDE L. DESROSIERS,  
Clerk of the Legislative Assembly.

**Applications to Provincial Parliament**

NOTICE OF APPLICATION

NOTICE IS HEREBY GIVEN that on behalf of Helen Myrna Dales, application will be made to the Legislative Assembly of the Province of Ontario for an Act for the revival of a corporation namely, Golden Dreams Home & Decor Ltd., which was inadvertently dissolved by Articles of Dissolution on August 17, 2004.

The application will be considered by the Standing Committee on Regulations and Private Bills. Any person who has an interest in the application and who wishes to make submissions, for or against the application, to the Standing Committee on Regulations and Private Bills should notify, in writing, the Clerk of the Legislative Assembly, Legislative Building, Queen's Park, Toronto, Ontario, M7A 1A2.

DATED at Toronto this 22nd day of June, 2005.

(138-P588) 27, 28, 29, 30 DAVID STONE—Solicitor for  
Golden Dreams Home & Decor Ltd.  
and Helen Myrna Dales

**Sale of Lands for Tax Arrears  
By Public Tender**

*Municipal Act, 2001*

SALE OF LAND BY PUBLIC TENDER

**THE CORPORATION OF THE CITY OF WELLAND**

TAKE NOTICE that tenders are invited for the purchase of the land(s) described below and will be received until 3:00 p.m. local time on Thursday, August 11, 2005 at the Treasurer's Office, City of Welland, 60 East Main Street, Welland, Ontario.

The tenders will then be opened in public on the same day at 3:15 p.m. at City of Welland, 60 East Main Street, Welland, Ontario.

**Description of Land(s):**  
(set out the cancellation price as of the first day of advertising)

Roll No. 2719 030-017-01300-0000  
PIN 64101-0063 (LT)  
154 Riverside Drive  
Part Lot 29, Concession 5  
Formerly Township of Crowland  
As in RO 705047, subject to RO 224358  
in the City of Welland  
in the Regional Municipality of Niagara  
Frontage 208.6 ft Depth 560.0 ft more or less  
2005 Current Value Assessment – \$401,000  
Class: Commercial – \$371,200  
Residential – \$29,800  
**Minimum Tender Amount: \$138,309.81**

Tenders must be submitted in the prescribed form and must be accompanied by a deposit in the form of a money order or of a bank draft or cheque certified by a bank or trust corporation payable to the municipality and representing at least 20 per cent of the tender amount.

Except as follows, the municipality makes no representation regarding the title to or any other matters relating to the land to be sold. Responsibility for ascertaining these matters rests with the potential purchasers.

This sale is governed by the *Municipal Act, 2001* and the Municipal Tax Sales Rules made under that Act. The successful purchaser will be required to pay the amount tendered plus accumulated taxes and the relevant land transfer tax.

The municipality has no obligation to provide vacant possession to the successful purchaser.

For further information regarding this sale and a copy of the prescribed form of tender, contact:

BRUNO SILVESTRI, C.G.A., City Treasurer  
The Corporation of the City of Welland  
Civic Square  
60 East Main Street  
Welland, ON L3B 3X4  
905-735-1700 Ext. 2170  
[www.welland.ca](http://www.welland.ca)

(138-P598)





# Publications under the Regulations Act Publications en vertu de la Loi sur les règlements

2005—07—16

## ONTARIO REGULATION 391/05

made under the

### EDUCATION ACT

Made: June 22, 2005

Filed: June 27, 2005

### REVOKING VARIOUS REGULATIONS

Note: Ontario Regulations 213/99 and 214/99 have previously been amended. Those amendments are listed in the [Table of Regulations – Legislative History Overview](#) which can be found at [www.e-Laws.gov.on.ca](http://www.e-Laws.gov.on.ca).

Note: Regulation 307 has not previously been amended.

**1. The following regulations are revoked:**

- 1. Regulation 307 of the Revised Regulations of Ontario, 1990.**
- 2. Ontario Regulation 213/99.**
- 3. Ontario Regulation 214/99.**

## RÈGLEMENT DE L'ONTARIO 391/05

pris en application de la

### LOI SUR L'ÉDUCATION

pris le 22 juin 2005

déposé le 27 juin 2005

### ABROGATION DE DIVERS RÈGLEMENTS

Remarque : Les Règlements de l'Ontario 213/99 et 214/99 ont été modifiés antérieurement. Ces modifications sont indiquées dans le [Sommaire de l'historique législatif des règlements](#) qui se trouve sur le site [www.lois-en-ligne.gouv.on.ca](http://www.lois-en-ligne.gouv.on.ca).

Remarque : Le Règlement 307 n'a pas été modifié antérieurement.

**1. Les règlements suivants sont abrogés :**

- 1. Le Règlement 307 des Règlements refondus de l'Ontario de 1990.**
- 2. Le Règlement de l'Ontario 213/99.**
- 3. Le Règlement de l'Ontario 214/99.**

29/05

**ONTARIO REGULATION 392/05**

made under the

**EDUCATION ACT**

Made: June 22, 2005  
Approved: June 22, 2005  
Filed: June 27, 2005

Revoking O. Reg. 215/99

(Calculation of Fees for Pupils for the 1999-2000 School Board Fiscal Year)

Note: Ontario Regulation 215/99 has not previously been amended.

**1. Ontario Regulation 215/99 is revoked.****RÈGLEMENT DE L'ONTARIO 392/05**

pris en application de la

**LOI SUR L'ÉDUCATION**

pris le 22 juin 2005  
approuvé le 22 juin 2005  
déposé le 27 juin 2005

abrogeant le Règl. de l'Ont. 215/99

(Calcul des droits exigibles à l'égard des élèves pour l'exercice 1999-2000 des conseils scolaires)

Remarque : Le Règlement de l'Ontario 215/99 n'a pas été modifié antérieurement.

**1. Le Règlement de l'Ontario 215/99 est abrogé.**

Made by:  
Pris par :

*Le ministre de l'Éducation,*

GERARD KENNEDY  
*Minister of Education*

Date made: June 22, 2005.  
Pris le : 22 juin 2005.

29/05

**ONTARIO REGULATION 393/05**

made under the

**EDUCATION ACT**

Made: June 22, 2005

Filed: June 27, 2005

Amending O. Reg. 170/00

(Student Focused Funding — Legislative Grants for the 2000-2001 School Board Fiscal Year)

Note: Ontario Regulation 170/00 has previously been amended. Those amendments are listed in the [Table of Regulations – Legislative History Overview](#) which can be found at [www.e-Laws.gov.on.ca](http://www.e-Laws.gov.on.ca).

1. Paragraph 4 of subsection 19 (2) of Ontario Regulation 170/00 is amended by adding “as it read immediately before it was repealed by the *Homes for Retarded Persons Repeal Act, 2001*” at the end.

2. (1) Paragraph 1 of section 35 of the Regulation is amended by adding “as that regulation read immediately before it was revoked by Ontario Regulation 391/05 made under the Act” at the end.

(2) Paragraph 3 of section 35 of the Regulation is amended by adding “as that regulation read immediately before it was revoked by Ontario Regulation 391/05 made under the Act” at the end.

3. (1) Subparagraph 12 i of subsection 37 (10) of the Regulation is amended by adding “as that regulation read immediately before it was revoked by Ontario Regulation 391/05 made under the Act” after “Ontario Regulation 214/99”.

(2) Subsection 37 (12) of the Regulation is amended by adding “as that regulation read immediately before it was revoked by Ontario Regulation 391/05 made under the Act” after “Ontario Regulation 214/99” in the portion before paragraph 1.

(3) Paragraph 1 of subsection 37 (12) of the Regulation is amended by adding “as that regulation read immediately before it was revoked by Ontario Regulation 391/05 made under the Act” after “Ontario Regulation 214/99”.

**RÈGLEMENT DE L'ONTARIO 393/05**

pris en application de la

**LOI SUR L'ÉDUCATION**

pris le 22 juin 2005

déposé le 27 juin 2005

modifiant le Règl. de l'Ont. 170/00

(Financement axé sur les besoins des élèves — subventions générales pour l'exercice 2000-2001 des conseils scolaires)

Remarque : Le Règlement de l'Ontario 170/00 a été modifié antérieurement. Ces modifications sont indiquées dans le [Sommaire de l'historique législatif des règlements](#) qui se trouve sur le site [www.lois-en-ligne.gouv.on.ca](http://www.lois-en-ligne.gouv.on.ca).

1. La disposition 4 du paragraphe 19 (2) du Règlement de l'Ontario 170/00 est modifiée par adjonction de «, telle qu'elle existait avant d'être abrogée par la *Loi de 2001 abrogeant la Loi sur les foyers pour déficients mentaux*» à la fin de la disposition.

2. (1) La disposition 1 de l'article 35 du Règlement est modifiée par adjonction de «, tel qu'il existait avant d'être abrogé par le Règlement de l'Ontario 391/05 pris en application de la Loi» à la fin de la disposition.

(2) La disposition 3 de l'article 35 du Règlement est modifiée par adjonction de «, tel qu'il existait avant d'être abrogé par le Règlement de l'Ontario 391/05 pris en application de la Loi» à la fin de la disposition.

3. (1) La sous-disposition 12 i du paragraphe 37 (10) du Règlement est modifiée par adjonction de «, tel qu'il existait avant d'être abrogé par le Règlement de l'Ontario 391/05 pris en application de la Loi» après «Règlement de l'Ontario 214/99».

(2) Le paragraphe 37 (12) du Règlement est modifié par adjonction de «tel qu'il existait avant d'être abrogé par le Règlement de l'Ontario 391/05 pris en application de la Loi,» après «Règlement de l'Ontario 214/99,» dans le passage qui précède la disposition 1.

(3) La disposition 1 du paragraphe 37 (12) du Règlement est modifiée par adjonction de «, tel qu'il existait avant d'être abrogé par le Règlement de l'Ontario 391/05 pris en application de la Loi,» après «Règlement de l'Ontario 214/99».

29/05

## ONTARIO REGULATION 394/05

made under the

### EDUCATION ACT

Made: June 22, 2005

Filed: June 27, 2005

Amending O. Reg. 154/01

(Student Focused Funding — Legislative Grants for the 2001-2002 School Board Fiscal Year)

Note: Ontario Regulation 154/01 has previously been amended. Those amendments are listed in the [Table of Regulations – Legislative History Overview](#) which can be found at [www.e-Laws.gov.on.ca](http://www.e-Laws.gov.on.ca).

1. Paragraph 4 of subsection 19 (3) of Ontario Regulation 154/01 is amended by adding “as it read immediately before it was repealed by the *Homes for Retarded Persons Repeal Act, 2001*” at the end.

2. (1) Subparagraph 24 ii of subsection 36 (10) of the Regulation is amended by adding “as that regulation read immediately before it was revoked by Ontario Regulation 391/05 made under the Act” after “Ontario Regulation 214/99”.

(2) The definition of “1999-2000 enrolment” in subsection 36 (36) of the Regulation is amended by adding “as that regulation read immediately before it was revoked by Ontario Regulation 391/05 made under the Act” after “Ontario Regulation 213/99”.

## RÈGLEMENT DE L'ONTARIO 394/05

pris en application de la

### LOI SUR L'ÉDUCATION

pris le 22 juin 2005  
déposé le 27 juin 2005

modifiant le Règl. de l'Ont. 154/01

(Financement axé sur les besoins des élèves — subventions générales pour l'exercice 2001-2002 des conseils scolaires)

Remarque : Le Règlement de l'Ontario 154/01 a été modifié antérieurement. Ces modifications sont indiquées dans le [Sommaire de l'historique législatif des règlements](#) qui se trouve sur le site [www.lois-en-ligne.gouv.on.ca](http://www.lois-en-ligne.gouv.on.ca).

1. La disposition 4 du paragraphe 19 (3) du Règlement de l'Ontario 154/01 est modifiée par adjonction de «, telle qu'elle existait avant d'être abrogée par la *Loi de 2001 abrogeant la Loi sur les foyers pour déficients mentaux*» à la fin de la disposition.

2. (1) La sous-disposition 24 ii du paragraphe 36 (10) du Règlement est modifiée par adjonction de «, tel qu'il existait avant d'être abrogé par le Règlement de l'Ontario 391/05 pris en application de la Loi» après «Règlement de l'Ontario 214/99».

(2) La définition de «effectif de 1999-2000» au paragraphe 36 (36) du Règlement est modifiée par adjonction de «tel qu'il existait avant d'être abrogé par le Règlement de l'Ontario 391/05 pris en application de la Loi,» après «Règlement de l'Ontario 213/99,».

29/05

## ONTARIO REGULATION 395/05

made under the

### EDUCATION ACT

Made: June 22, 2005

Filed: June 27, 2005

Amending O. Reg. 156/02

(Student Focused Funding — Legislative Grants for the 2002-2003 School Board Fiscal Year)

Note: Ontario Regulation 156/02 has previously been amended. Those amendments are listed in the [Table of Regulations – Legislative History Overview](#) which can be found at [www.e-Laws.gov.on.ca](http://www.e-Laws.gov.on.ca).

1. Subparagraph 26 iii of subsection 36 (10) of Ontario Regulation 156/02 is amended by adding “as that regulation read immediately before it was revoked by Ontario Regulation 391/05 made under the Act” after “Ontario Regulation 214/99”.

## RÈGLEMENT DE L'ONTARIO 395/05

pris en application de la

### LOI SUR L'ÉDUCATION

pris le 22 juin 2005

déposé le 27 juin 2005

modifiant le Règl. de l'Ont. 156/02

(Financement axé sur les besoins des élèves — subventions générales pour l'exercice 2002-2003 des conseils scolaires)

Remarque : Le Règlement de l'Ontario 156/02 a été modifié antérieurement. Ces modifications sont indiquées dans le [Sommaire de l'historique législatif des règlements](#) qui se trouve sur le site [www.lois-en-ligne.gouv.on.ca](http://www.lois-en-ligne.gouv.on.ca).

1. La sous-disposition 26 iii du paragraphe 36 (10) du Règlement de l'Ontario 156/02 est modifiée par adjonction de «, tel qu'il existait avant d'être abrogé par le Règlement de l'Ontario 391/05 pris en application de la Loi» après «Règlement de l'Ontario 214/99».

29/05

**ONTARIO REGULATION 396/05**

made under the

**EDUCATION ACT**

Made: June 22, 2005

Filed: June 27, 2005

Amending O. Reg. 139/03

(Student Focused Funding — Legislative Grants for the 2003-2004 School Board Fiscal Year)

Note: Ontario Regulation 139/03 has previously been amended. Those amendments are listed in the [Table of Regulations – Legislative History Overview](#) which can be found at [www.e-Laws.gov.on.ca](http://www.e-Laws.gov.on.ca).

**1. Subparagraph 34 iv of subsection 37 (10) of Ontario Regulation 139/03 is amended by adding “as that regulation read immediately before it was revoked by Ontario Regulation 391/05 made under the Act” after “Ontario Regulation 214/99”.**

**RÈGLEMENT DE L'ONTARIO 396/05**

pris en application de la

**LOI SUR L'ÉDUCATION**

pris le 22 juin 2005

déposé le 27 juin 2005

modifiant le Règl. de l'Ont. 139/03

(Financement axé sur les besoins des élèves — subventions générales pour l'exercice 2003-2004 des conseils scolaires)

Remarque : Le Règlement de l'Ontario 139/03 a été modifié antérieurement. Ces modifications sont indiquées dans le [Sommaire de l'historique législatif des règlements](#) qui se trouve sur le site [www.lois-en-ligne.gouv.on.ca](http://www.lois-en-ligne.gouv.on.ca).

**1. La sous-disposition 34 iv du paragraphe 37 (10) du Règlement de l'Ontario 139/03 est modifiée par adjonction de « tel qu'il existait avant d'être abrogé par le Règlement de l'Ontario 391/05 pris en application de la Loi » après « Règlement de l'Ontario 214/99 ».**

29/05

**ONTARIO REGULATION 397/05**

made under the

**EDUCATION ACT**

Made: June 22, 2005

Filed: June 27, 2005

Amending O. Reg. 145/04

(Grants for Student Needs — Legislative Grants for the 2004-2005 School Board Fiscal Year)

Note: Ontario Regulation 145/04 has previously been amended. Those amendments are listed in the [Table of Regulations – Legislative History Overview](#) which can be found at [www.e-Laws.gov.on.ca](http://www.e-Laws.gov.on.ca).

**1. (1) Paragraph 12 of subsection 37 (9) of Ontario Regulation 145/04 is amended by striking out “paragraph 12” and substituting “paragraph 13”.**

**(2) Paragraph 13 of subsection 37 (9) of the Regulation is amended by striking out “paragraph 9” and substituting “paragraph 10”.**

(3) Subparagraph 35 v of subsection 37 (10) of the Regulation is amended by adding “as that regulation read immediately before it was revoked by Ontario Regulation 391/05 made under the Act” after “Ontario Regulation 214/99”.

(4) Paragraph 3 of subsection 37 (43) of the Regulation is amended by striking out “benchmark” and substituting “pre-September, 2004 benchmark”.

2. Subparagraph 1 viii of subsection 39 (4) of the Regulation 145/04 is revoked and the following substituted:

viii. the total of the amounts determined for the fiscal year under paragraphs 15, 17, 19, 21, 23 and 24 of subsection 37 (3).

3. Paragraph 2 of subsection 42 (3) of the Regulation is amended by adding the following subparagraph:

iv. Any expenditures on special education for its pupils in the fiscal year that were not authorized by the board prior to May 30, 2005.

4. (1) Item 2 of Table 7 of the Regulation is amended by striking out “85,197” in Column 2 and substituting “122,097”.

(2) Item 2 of Table 7 of the Regulation is amended by striking out “146.5%” in Column 3 and substituting “146.8%”.

(3) Item 6 of Table 7 of the Regulation is amended by striking out “43,211” in Column 2 and substituting “45,677”.

(4) Item 7 of Table 7 of the Regulation is amended by striking out “101,225” in Column 2 and substituting “107,919”.

(5) Item 7 of Table 7 of the Regulation is amended by striking out “141.8%” in Column 3 and substituting “141.3%”.

(6) Item 17 of Table 7 of the Regulation is amended by striking out “100.9%” in Column 4 and substituting “100.0%”.

(7) Item 34 of Table 7 of the Regulation is amended by striking out “27,715” in Column 2 and substituting “42,126”.

(8) Item 37 of Table 7 of the Regulation is amended by striking out “10,296” in Column 2 and substituting “11,838”.

(9) Item 49 of Table 7 of the Regulation is amended by striking out “100.1%” in Column 4 and substituting “100.0%”.

(10) Item 64 of Table 7 of the Regulation is revoked and the following substituted:

64.	Conseil de district des écoles publiques de langue française n° 59	88,794	140.2%	100.0%	5
-----	--	--------	--------	--------	---

5. Item 17 of Table 14 of the Regulation is revoked.

## RÈGLEMENT DE L'ONTARIO 397/05

pris en application de la

### LOI SUR L'ÉDUCATION

pris le 22 juin 2005  
déposé le 27 juin 2005

modifiant le Règl. de l'Ont. 145/04

(Subventions pour les besoins des élèves — subventions générales pour l'exercice 2004-2005 des conseils scolaires)

Remarque : Le Règlement de l'Ontario 145/04 a été modifié antérieurement. Ces modifications sont indiquées dans le [Sommaire de l'historique législatif des règlements](#) qui se trouve sur le site [www.lois-en-ligne.gouv.on.ca](http://www.lois-en-ligne.gouv.on.ca).

1. (1) La disposition 12 du paragraphe 37 (9) du Règlement de l'Ontario 145/04 est modifiée par substitution de «disposition 13» à «disposition 12».

(2) La disposition 13 du paragraphe 37 (9) du Règlement est modifiée par substitution de «disposition 10» à «disposition 9».

(3) La sous-disposition 35 v du paragraphe 37 (10) du Règlement est modifiée par insertion de «, tel qu'il existait avant d'être abrogé par le Règlement de l'Ontario 391/05 pris en application de la Loi» après «Règlement de l'Ontario 214/99».

(4) La disposition 3 du paragraphe 37 (43) du Règlement est modifiée par insertion de «, avant septembre 2004,» après «de nouvelles écoles».

2. La sous-disposition 1 viii du paragraphe 39 (4) du Règlement est abrogée et remplacée par ce qui suit :

viii. le total des sommes calculées pour l'exercice en application des dispositions 15, 17, 19, 21, 23 et 24 du paragraphe 37 (3).

3. La disposition 2 du paragraphe 42 (3) du Règlement est modifiée par adjonction de la sous-disposition suivante :

iv. Les dépenses éventuelles affectées, pendant l'exercice, à des mesures d'éducation de l'enfance en difficulté pour ses élèves que le conseil n'avait pas autorisées avant le 30 mai 2005.

4. (1) Le point 2 du tableau 7 du Règlement est modifié par substitution de «122,097» à «85,197» à la colonne 2.

(2) Le point 2 du tableau 7 du Règlement est modifié par substitution de «146.8%» à «146.5%» à la colonne 3.

(3) Le point 6 du tableau 7 du Règlement est modifié par substitution de «45,677» à «43,211» à la colonne 2.

(4) Le point 7 du tableau 7 du Règlement est modifié par substitution de «107,919» à «101,225» à la colonne 2.

(5) Le point 7 du tableau 7 du Règlement est modifié par substitution de «141.3%» à «141.8%» à la colonne 3.

(6) Le point 17 du tableau 7 du Règlement est modifié par substitution de «100.0%» à «100.9%» à la colonne 4.

(7) Le point 34 du tableau 7 du Règlement est modifié par substitution de «42,126» à «27,715» à la colonne 2.

(8) Le point 37 du tableau 7 du Règlement est modifié par substitution de «11,838» à «10,296» à la colonne 2.

(9) Le point 49 du tableau 7 du Règlement est modifié par substitution de «100.0%» à «100.1%» à la colonne 4.

(10) Le point 64 du tableau 7 du Règlement est abrogé et remplacé par ce qui suit :

64.	Conseil de district des écoles publiques de langue française n° 59	88,794	140.2%	100.0%	5
-----	--	--------	--------	--------	---

5. Le point 17 du tableau 14 du Règlement est abrogé.

29/05

## ONTARIO REGULATION 398/05

made under the

### EDUCATION ACT

Made: June 22, 2005

Filed: June 27, 2005

## CALCULATION OF AVERAGE DAILY ENROLMENT FOR THE 2005-2006 SCHOOL BOARD FISCAL YEAR

### Interpretation

1. (1) In this Regulation,

“2005-2006 fiscal year” means the period beginning September 1, 2005 and ending August 31, 2006; (“exercice 2005-2006”)

“combined kindergarten program” means a program operated on a five-day cycle that consists of 600 minutes of junior kindergarten for those pupils who are enrolled in the junior kindergarten part of the program and 900 minutes of kindergarten for those pupils who are enrolled in the kindergarten part of the program; (“programme combiné de maternelle et de jardin d'enfants”)



“cycle” means the number of school days for which a schedule of classes in a school continues before the schedule is repeated; (“horaire”)

“day school” and “day school program” do not include continuing education or summer school classes or courses; (“cours de jour”, “programme scolaire de jour”)

“full-time pupil” means a pupil, other than a pupil enrolled in junior kindergarten, kindergarten or a combined kindergarten program, who is,

- (a) enrolled in a day school and, in respect of a cycle, is enrolled for classroom instruction for an average of at least 210 minutes per school day, or
- (b) enrolled in a day school which has, in accordance with a calendar that has been approved by the Minister under Regulation 304 of the Revised Regulations of Ontario, 1990 (School Year Calendar) made under the Act, a designated school year of 12 months and instructional days in each of those months, and in which the pupil is eligible to earn at least seven credits on successfully completing the courses in which the pupil is enrolled in a school year; (“élève à temps plein”)

“half-time pupil” means a pupil who is enrolled in junior kindergarten or kindergarten, is not enrolled in a combined kindergarten program, and, in respect of a cycle, is enrolled for classroom instruction for an average of at least 150 minutes per school day; (“élève à mi-temps”)

“independent study course” means a credit course that is provided to a pupil other than a full-time pupil and that,

- (a) meets the criteria set out in the independent study course register for inclusion in the determination of day school enrolment, or
- (b) is approved by the Minister as an independent study course to be included in the determination of day school enrolment; (“cours d’études personnelles”)

“part-time pupil” means a pupil who is enrolled in day school and is neither a full-time nor a half-time pupil. (“élève à temps partiel”)

(2) This Regulation applies to boards for the 2005-2006 fiscal year.

(3) The Ministry publication entitled “Ontario Secondary Schools Grades 9 to 12 — Program and Diploma Requirements — 1999”, that is referred to in subparagraph 1 i of subsection 3 (2), paragraphs 8 and 9 of subsection 3 (2) and subclauses 4 (1) (c) (v) and (vi), is available for public inspection at the offices of the Education Finance Branch of the Ministry of Education, Mowat Block, 900 Bay Street, 21st Floor, Toronto, Ontario, M7A 1L2 and is electronically available by accessing the following links on the Ministry of Education website at [www.edu.gov.on.ca](http://www.edu.gov.on.ca): Publications, Curriculum and Policy, and Policy and Reference.

#### Day school A.D.E.

2. Day school average daily enrolment for a board for the fiscal year is the sum of,

- (a) the product of 0.5 and the sum of,
  - (i) the number of full-time pupils enrolled on October 31, 2005 in schools operated by the board,
  - (ii) 0.5 times the number of half-time pupils enrolled on that day in schools operated by the board, and
  - (iii) the quotient obtained by determining, for each part-time pupil enrolled on that day in a school operated by the board, the number of minutes for which the pupil is registered for classroom instruction in the cycle that includes that day, in a course other than an independent study course, and dividing the sum of the numbers so determined by the product of 300 and the number of days in the cycle;
- (b) the product of 0.5 and the sum of,
  - (i) the number of full-time pupils enrolled on March 31, 2006 in schools operated by the board,
  - (ii) 0.5 times the number of half-time pupils enrolled on that day in schools operated by the board, and
  - (iii) the quotient obtained by determining, for each part-time pupil enrolled on that day in a school operated by the board, the number of minutes for which the pupil is registered for classroom instruction in the cycle that includes that day, in a course other than an independent study course, and dividing the sum of the numbers so determined by the product of 300 and the number of days in the cycle; and
- (c) an amount in respect of each pupil enrolled in a school of the board who is registered for an independent study course, calculated as follows:

$$\frac{A \times B}{7.5}$$

in which,

“A” is the number of credits and partial credits that may be earned by the pupil on successful completion of the course, and

“B” is the fraction representing the portion of the total quantity of work required for completion of the course that is completed by the pupil during the fiscal year.

**Continuing education A.D.E.**

3. (1) Continuing education average daily enrolment for a board for the fiscal year is the sum of,

- (a) an amount in respect of each pupil who is enrolled in a continuing education class or course established by the board, other than a continuing education course delivered primarily through means other than classroom instruction, calculated as follows:

$$\frac{C \times D}{300 \times 190}$$

in which,

“C” is the number of sessions for which the pupil is enrolled in the fiscal year, and

“D” is the number of minutes in each session; and

- (b) an amount in respect of each pupil who is enrolled in a continuing education course established by the board and delivered primarily through means other than classroom instruction calculated as follows:

$$E \times 0.1158 \times F$$

in which,

“E” is the number of credits and partial credits that may be earned by the pupil on successful completion of the course, and

“F” is the fraction representing the portion of the total quantity of work required for completion of the course that is completed by the pupil during the fiscal year.

(2) A class or course is a continuing education class or course for the purposes of subsection (1) if it is not a summer school class or course as defined in subsection 4 (1), it is approved by the Minister and it satisfies the conditions in one of the following paragraphs:

1. The class or course,
  - i. is established for adults for which one or more credits, a partial credit referred to in the Ministry publication entitled “Ontario Secondary Schools Grades 9 to 12 — Program and Diploma Requirements — 1999” or a partial credit approved by the Minister may be granted, and
  - ii. is in the intermediate division if it is offered by a school authority that is only authorized to provide elementary education.
2. The class or course is in citizenship and, if necessary, in French or English language instruction and is for persons admitted to Canada as permanent residents under the *Immigration and Refugee Protection Act* (Canada).
3. The class or course is in English or French for adults whose first language learned and still understood is neither English nor French, but it is not a class or course in which a pupil may earn a credit in English or French as a second language.
4. The class or course is in Native language instruction for adults.
5. The class or course is in literacy and numeracy for pupils in grade 7 or 8 for whom a remedial program in literacy and numeracy has been recommended by the principal of the day school in which the pupil is enrolled and the class or course is not provided as part of a day school program.
6. The class or course is a non-credit class or course in literacy and numeracy for pupils in grade 9 or a higher grade for whom a grade 9 or 10 remedial program in literacy and numeracy has been recommended by the principal of the day school in which the pupil is enrolled and the class or course is not provided as part of a day school program.
7. The class or course is in literacy and numeracy and is established for adults who are parents or guardians of pupils enrolled in a day school program for whom a remedial program in literacy and numeracy has been recommended by the principal of the day school in which the pupils are enrolled.

8. The class or course is for secondary school pupils who elected to take a transfer credit course to transfer between course types in accordance with section 5.6 of the Ministry publication entitled "Ontario Secondary Schools Grades 9 to 12 — Program and Diploma Requirements — 1999".
9. The class or course is for pupils who are enrolled in grade 9 in the school year and the principal, headmaster, headmistress or other person in charge of the school in which the pupil is enrolled strongly encourages the pupil to successfully complete additional course work of up to 30 hours before switching from one course type in grade 9 to another course type in grade 10 in the same subject, in accordance with section 5.6 of the Ministry publication entitled "Ontario Secondary Schools Grades 9 to 12 — Program and Diploma Requirements — 1999".

(3) Any pupils who are in a class or course offered for credit and who are not adults must be included in calculating the continuing education average daily enrolment for a board under subsection (1) for a class or course established for adults that is referred to in subsection (2).

(4) The following rules apply in calculating the continuing education average daily enrolment for a board under subsection (1) for a class or course referred to in subsection (5):

1. If the number of pupils in the class or course is 10 or more and less than 15, that number is increased to 15.
2. If the number of pupils in the class or course is less than 10, that number is increased by five.

(5) Subsection (4) applies with respect to a class or course,

(a) referred to in paragraph 2, 3 or 4 of subsection (2); and

(b) referred to in paragraph 1 of subsection (2), other than a course delivered primarily through means other than classroom instruction, if the class or course is offered in a secondary school that is located in a territorial district and is more than 80 kilometres from all other secondary schools in the Province that have the same language of instruction.

**Summer school A.D.E.**

4. (1) In this section,

"summer school class or course" means a class or course,

(a) that is provided by a board between the hours of 8 a.m. and 5 p.m.,

(b) that starts after the completion of the 2005-2006 school year and ends before the start of the 2006-2007 school year, and

(c) that is a class or course,

(i) for developmentally delayed pupils,

(ii) in which a pupil may earn a credit,

(iii) for pupils who have completed grade 7 or a higher grade and for whom a grade 7 or 8 remedial program in literacy and numeracy has been recommended by the principal, headmaster, headmistress or other person in charge of the school at which the pupil completed grade 7 or 8,

(iv) for pupils who were enrolled in grade 9 or a higher grade and for whom a non-credit grade 9 or 10 remedial program in literacy and numeracy has been recommended by the principal, headmaster, headmistress or other person in charge of the school at which the pupil was enrolled,

(v) for pupils who were enrolled in grade 10 or 11 and who elected to take a transfer credit course to transfer between course types in accordance with section 5.6 of the Ministry publication entitled "Ontario Secondary Schools Grades 9 to 12 — Program and Diploma Requirements — 1999", or

(vi) for pupils who are enrolled in grade 9 in the 2005-2006 school year and the principal, headmaster, headmistress or other person in charge of the school in which the pupil is enrolled strongly encourages the pupil to successfully complete additional non-credit crossover course work of up to 30 hours when the pupil plans to switch from one course type in grade 9 to the other in grade 10 in the same subject, in accordance with section 5.6 of the Ministry publication entitled "Ontario Secondary Schools Grades 9 to 12 — Program and Diploma Requirements — 1999".

(2) Only the following pupils are counted for the purposes of this section:

1. Pupils who were enrolled in a day school program offered by a board.

2. Pupils who were enrolled in any of grades 1 to 12 in a private school that was in compliance with subsection 16 (1) of the Act when the pupil was last enrolled in the school.

(3) Summer school average daily enrolment for a board for the fiscal year is the sum of the amounts in respect of each pupil enrolled in a summer school class or course that is provided by the board, other than a course delivered primarily through means other than classroom instruction, calculated as follows:

$$\frac{G \times H}{300 \times 190}$$

in which,

“G” is the number of sessions of the summer school class or course in which the pupil is enrolled in the fiscal year, and  
 “H” is the number of minutes in each session.

## RÈGLEMENT DE L'ONTARIO 398/05

pris en application de la

### LOI SUR L'ÉDUCATION

pris le 22 juin 2005  
 déposé le 27 juin 2005

## CALCUL DE L'EFFECTIF QUOTIDIEN MOYEN POUR L'EXERCICE 2005-2006 DES CONSEILS SCOLAIRES

### Interprétation

1. (1) Les définitions qui suivent s'appliquent au présent règlement.

«cours de jour» et «programme scolaire de jour» Sont exclus les classes ou les cours d'éducation permanente et les classes ou les cours d'été. («day school», «day school program»)

«cours d'études personnelles» Cours crédité qui est dispensé à un élève, à l'exclusion d'un élève à temps plein, et qui, selon le cas :

- a) satisfait aux critères énoncés dans le registre des cours d'études personnelles pour être inclus dans le calcul de l'effectif de jour;
- b) est approuvé par le ministre à titre de cours d'études personnelles à inclure dans le calcul de l'effectif de jour. («independent study course»)

«élève à mi-temps» Élève qui est inscrit à la maternelle ou au jardin d'enfants, mais non à un programme combiné de maternelle et de jardin d'enfants, pour une moyenne d'au moins 150 minutes d'enseignement en classe par jour de classe à l'égard d'un horaire. («half-time pupil»)

«élève à temps partiel» Élève qui est inscrit aux cours de jour et qui n'est ni un élève à temps plein ni un élève à mi-temps. («part-time pupil»)

«élève à temps plein» Élève, sauf un élève inscrit à la maternelle, au jardin d'enfants ou à un programme combiné de maternelle et de jardin d'enfants, qui :

- a) soit est inscrit à des cours de jour pour une moyenne d'au moins 210 minutes d'enseignement en classe par jour de classe à l'égard d'un horaire;
- b) soit est inscrit à des cours de jour qui, conformément au calendrier qu'a approuvé le ministre aux termes du Règlement 304 des Règlements refondus de l'Ontario de 1990 («Calendrier de l'année scolaire») pris en application de la Loi, couvrent une année scolaire désignée de 12 mois comprenant chacun des journées d'enseignement, et pendant lesquels l'élève a le droit d'obtenir au moins sept crédits lorsqu'il termine avec succès les cours auxquels il est inscrit pendant une année scolaire. («full-time pupil»)

«exercice 2005-2006» La période qui commence le 1<sup>er</sup> septembre 2005 et qui se termine le 31 août 2006. («2005-2006 fiscal year»)

«horaire» Le nombre de jours que couvre le calendrier des classes d'une école avant de recommencer. («cycle»)

«programme combiné de maternelle et de jardin d'enfants» Programme qui fonctionne selon un horaire de cinq jours et qui consiste en 600 minutes de maternelle pour les élèves qui sont inscrits au volet maternelle du programme et en 900 minutes de jardin d'enfants pour ceux inscrits au volet jardin d'enfants. («combined kindergarten program»)

(2) Le présent règlement s'applique aux conseils pour l'exercice 2005-2006.

(3) Le public peut consulter la publication du ministère intitulée «Les écoles secondaires de l'Ontario, de la 9<sup>e</sup> à la 12<sup>e</sup> année — Préparation au diplôme d'études secondaires de l'Ontario, 1999» qui est mentionnée à la sous-disposition 1 i paragraphe 3 (2), aux dispositions 8 et 9 du même paragraphe et aux sous-alinéas 4 (1) c) (v) et (vi) aux bureaux de la Direction du financement de l'éducation du ministère de l'Éducation à l'Édifice Mowat, 21<sup>e</sup> étage, 900, rue Bay, Toronto (Ontario) M7A 1L2 ou électroniquement en activant successivement les liens suivants du site Web du ministère au [www.edu.gov.on.ca](http://www.edu.gov.on.ca) : Publications, Programmes-cadres et directives, et Politique et documents de référence.

#### Effectif quotidien moyen de jour

2. L'effectif quotidien moyen de jour d'un conseil pour l'exercice correspond à la somme de ce qui suit :

- a) le produit de 0,5 par la somme de ce qui suit :
  - (i) le nombre d'élèves à temps plein inscrits le 31 octobre 2005 aux écoles qui relèvent du conseil,
  - (ii) 0,5 fois le nombre d'élèves à mi-temps inscrits ce jour-là aux écoles qui relèvent du conseil,
  - (iii) le quotient obtenu en calculant, pour chaque élève à temps partiel inscrit ce jour-là à une école qui relève du conseil, le nombre de minutes pour lesquelles cet élève est inscrit en vue de recevoir un enseignement en classe pendant l'horaire qui inclut ce jour-là, à un cours autre qu'un cours d'études personnelles, et en divisant la somme des nombres ainsi obtenus par le produit de 300 et du nombre de jours que compte l'horaire;
- b) le produit de 0,5 par la somme de ce qui suit :
  - (i) le nombre d'élèves à temps plein inscrits le 31 mars 2006 aux écoles qui relèvent du conseil,
  - (ii) 0,5 fois le nombre d'élèves à mi-temps inscrits ce jour-là aux écoles qui relèvent du conseil,
  - (iii) le quotient obtenu en calculant, pour chaque élève à temps partiel inscrit ce jour-là à une école qui relève du conseil, le nombre de minutes pour lesquelles cet élève est inscrit en vue de recevoir un enseignement en classe pendant l'horaire qui inclut ce jour-là, à un cours autre qu'un cours d'études personnelles, et en divisant la somme des nombres ainsi obtenus par le produit de 300 et du nombre de jours que compte l'horaire;
- c) une valeur relative à chaque élève inscrit à une école du conseil, à un cours d'études personnelles, calculée selon la formule suivante :

$$\frac{A \times B}{7,5}$$

où :

«A» correspond au nombre de crédits et de fractions de crédits que peut obtenir l'élève qui termine le cours avec succès,

«B» correspond à la fraction représentant la tranche de la quantité totale de travail exigée pour terminer le cours que l'élève a terminée au cours de l'exercice.

#### Effectif quotidien moyen de l'éducation permanente

3. (1) L'effectif quotidien moyen de l'éducation permanente d'un conseil pour l'exercice correspond à la somme de ce qui suit :

- a) une valeur relative à chaque élève qui est inscrit à une classe ou à un cours d'éducation permanente créé par le conseil, à l'exclusion d'un cours d'éducation permanente dispensé principalement par des moyens autres qu'un enseignement en classe, calculée selon la formule suivante :

$$\frac{C \times D}{300 \times 190}$$

où :

«C» correspond au nombre de séances pour lesquelles l'élève est inscrit pendant l'exercice,

«D» correspond au nombre de minutes que comprend chaque séance;

- b) une valeur relative à chaque élève qui est inscrit à un cours d'éducation permanente créé par le conseil et dispensé principalement par des moyens autres qu'un enseignement en classe, calculée selon la formule suivante :

$$E \times 0,1158 \times F$$

où :

«E» correspond au nombre de crédits et de fractions de crédits que peut obtenir l'élève qui termine le cours avec succès,

«F» correspond à la fraction représentant la tranche de la quantité totale de travail exigée pour terminer le cours que l'élève a terminée au cours de l'exercice.

(2) Une classe ou un cours constitue une classe ou un cours d'éducation permanente pour l'application du paragraphe (1) s'il n'est pas une classe ou un cours d'été au sens du paragraphe 4 (1), qu'il est approuvé par le ministre et qu'il satisfait aux conditions de l'une des dispositions suivantes :

1. La classe ou le cours :

i. d'une part, est créé à l'intention d'adultes qui peuvent obtenir un ou plusieurs crédits, une fraction de crédit mentionnée dans la publication du ministère intitulée «Les écoles secondaires de l'Ontario, de la 9<sup>e</sup> à la 12<sup>e</sup> année — Préparation au diplôme d'études secondaires de l'Ontario, 1999» ou une fraction de crédit approuvée par le ministre,

ii. d'autre part, appartient au cycle intermédiaire, s'il est offert par une administration scolaire qui n'est autorisée qu'à dispenser un enseignement à l'élémentaire.

2. Il s'agit d'une classe ou d'un cours d'instruction civique et, au besoin, d'apprentissage du français ou de l'anglais et est destiné à des personnes admises au Canada à titre de résidents permanents en application de la *Loi sur l'immigration et la protection des réfugiés* (Canada).

3. Il s'agit d'une classe ou d'un cours de français ou d'anglais destiné à des adultes dont la première langue apprise et encore comprise n'est ni le français ni l'anglais, mais non d'une classe ou d'un cours dans lequel l'élève peut obtenir un crédit en français ou en anglais langue seconde.

4. Il s'agit d'une classe ou d'un cours de langue autochtone destiné à des adultes.

5. Il s'agit d'une classe ou d'un cours destiné à accroître l'aptitude à lire, à écrire et à compter des élèves de septième ou de huitième année auxquels le directeur de l'école où l'élève est inscrit à des cours de jour a recommandé un programme de rattrapage destiné à accroître leur aptitude à lire, à écrire et à compter et la classe ou le cours ne fait pas partie d'un programme scolaire de jour.

6. Il s'agit d'une classe ou d'un cours ne donnant pas droit à un crédit qui est destiné à accroître l'aptitude à lire, à écrire et à compter des élèves de neuvième année ou d'une année subséquente auxquels le directeur de l'école où l'élève est inscrit à des cours de jour a recommandé un programme de rattrapage de neuvième ou de dixième année destiné à accroître leur aptitude à lire, à écrire et à compter et la classe ou le cours ne fait pas partie d'un programme scolaire de jour.

7. Il s'agit d'une classe ou d'un cours destiné à accroître l'aptitude à lire, à écrire et à compter et créé à l'intention d'adultes qui sont soit le père, la mère ou le tuteur d'un élève inscrit à un programme scolaire de jour auquel le directeur de l'école où l'élève est inscrit à des cours de jour a recommandé un programme de rattrapage destiné à accroître l'aptitude à lire, à écrire et à compter.

8. Il s'agit d'une classe ou d'un cours destiné aux élèves du secondaire qui ont choisi de suivre un cours de transition donnant droit à crédit afin de changer de type de cours conformément à l'article 5.6 de la publication du ministère intitulée «Les écoles secondaires de l'Ontario, de la 9<sup>e</sup> à la 12<sup>e</sup> année — Préparation au diplôme d'études secondaires de l'Ontario, 1999».

9. Il s'agit d'une classe ou d'un cours destiné aux élèves qui sont inscrits en neuvième année pendant l'année scolaire et le directeur, le chef ou le responsable de l'école ou de l'établissement où l'élève est inscrit l'encourage fortement à terminer avec succès un cours supplémentaire d'une durée maximale de 30 heures avant de transférer d'un type de cours offert en neuvième année à celui offert dans la même matière en dixième année, conformément à l'article 5.6 de la publication du ministère intitulée «Les écoles secondaires de l'Ontario, de la 9<sup>e</sup> à la 12<sup>e</sup> année — Préparation au diplôme d'études secondaires de l'Ontario, 1999».

(3) Tout élève d'une classe ou d'un cours donnant droit à crédit qui n'est pas un adulte est décompté aux fins du calcul de l'effectif quotidien moyen de l'éducation permanente effectué pour le conseil en application du paragraphe (1) à l'égard d'une classe ou d'un cours créé à l'intention d'adultes et visé au paragraphe (2).

(4) Les règles suivantes s'appliquent au calcul de l'effectif quotidien moyen de l'éducation permanente effectué pour le conseil en application du paragraphe (1) à l'égard d'une classe ou d'un cours visé au paragraphe (5) :

1. Le nombre d'élèves de la classe ou du cours qui compte 10 élèves ou plus, mais moins de 15, est porté à 15.

2. Le nombre d'élèves de la classe ou du cours qui compte moins de 10 élèves est augmenté de cinq.

(5) Le paragraphe (4) s'applique à l'égard d'une classe ou d'un cours qui réunit les conditions suivantes :

- a) il est visé à la disposition 2, 3 ou 4 du paragraphe (2);
- b) il est visé à la disposition 1 du paragraphe (2), mais ne constitue pas un cours dispensé principalement par des moyens autres qu'un enseignement en classe, et il est offert, le cas échéant, par une école secondaire située dans un district territorial, à plus de 80 kilomètres de toutes les autres écoles secondaires de la province qui dispensent l'enseignement dans la même langue.

**Effectif quotidien moyen pendant l'été**

4. (1) La définition qui suit s'applique au présent article.

«classe ou cours d'été» Classe ou cours qui réunit les conditions suivantes :

- a) il est offert par un conseil entre 8 h et 17 h;
- b) il commence après la fin de l'année scolaire 2005-2006 et se termine avant le début de l'année scolaire 2006-2007;
- c) il s'agit d'une classe ou d'un cours, selon le cas :
  - (i) qui est destiné aux élèves qui présentent un retard du développement,
  - (ii) où l'élève peut obtenir un crédit,
  - (iii) qui est destiné aux élèves qui ont terminé la septième année ou une année subséquente et auxquels le directeur, le chef ou le responsable de l'école ou de l'établissement où l'élève a terminé la septième ou la huitième année a recommandé un programme de rattrapage de septième ou de huitième année destiné à accroître leur aptitude à lire, à écrire et à compter,
  - (iv) qui est destiné aux élèves qui étaient inscrits en neuvième année ou dans une année subséquente et auxquels le directeur, le chef ou le responsable de l'école ou de l'établissement où l'élève était inscrit a recommandé un programme de rattrapage de neuvième ou de dixième année destiné à accroître leur aptitude à lire, à écrire et à compter mais ne donnant pas droit à crédit,
  - (v) qui est destiné aux élèves qui étaient inscrits en dixième ou en onzième année et qui ont choisi de suivre un cours de transition donnant droit à crédit afin de changer de type de cours conformément à l'article 5.6 de la publication du ministère intitulée «Les écoles secondaires de l'Ontario, de la 9<sup>e</sup> à la 12<sup>e</sup> année — Préparation au diplôme d'études secondaires de l'Ontario, 1999»,
  - (vi) qui est destiné aux élèves qui sont inscrits en neuvième année pendant l'année scolaire 2005-2006 et le directeur, le chef ou le responsable de l'école ou de l'établissement où l'élève est inscrit l'encourage fortement à terminer avec succès un cours complémentaire ne donnant pas droit à crédit d'une durée maximale de 30 heures lorsqu'il a l'intention de transférer d'un type de cours offert en neuvième année à celui offert dans la même matière en dixième année, conformément à l'article 5.6 de la publication du ministère intitulée «Les écoles secondaires de l'Ontario, de la 9<sup>e</sup> à la 12<sup>e</sup> année — Préparation au diplôme d'études secondaires de l'Ontario, 1999».

(2) Seuls les élèves suivants sont dénombrés pour l'application du présent article :

1. Les élèves qui étaient inscrits à un programme scolaire de jour dispensé par un conseil.
2. Les élèves qui étaient inscrits de la première à la douzième années dans une école privée à l'égard de laquelle le paragraphe 16 (1) de la Loi était observé lorsque les élèves y étaient inscrits.

(3) L'effectif quotidien moyen des cours d'été d'un conseil pour l'exercice correspond à la somme de valeurs dont chacune est une valeur relative à chaque élève qui est inscrit à une classe ou à un cours d'été dispensé par le conseil, à l'exclusion d'un cours dispensé principalement par des moyens autres qu'un enseignement en classe, calculée selon la formule suivante :

$$\frac{G \times H}{300 \times 190}$$

où :

«G» correspond au nombre de séances de la classe ou du cours d'été auquel l'élève est inscrit pendant l'exercice,

«H» correspond au nombre de minutes que comprend chaque séance.

29/05

**ONTARIO REGULATION 399/05**

made under the

**EDUCATION ACT**

Made: June 22, 2005  
 Approved: June 22, 2005  
 Filed: June 27, 2005

**CALCULATION OF FEES FOR PUPILS FOR THE 2005-2006 SCHOOL BOARD FISCAL YEAR****Interpretation**

1. (1) In this Regulation,

“A.D.E. regulation” means Ontario Regulation 398/05 (Calculation of Average Daily Enrolment for the 2005-2006 School Board Fiscal Year) made under the Act; (“règlement sur l’effectif quotidien moyen”)

“continuing education A.D.E.”, for a board, means the continuing education average daily enrolment for the board, as calculated under section 3 of the A.D.E. regulation; (“effectif quotidien moyen des cours d’éducation permanente”)

“continuing education class or course” has the same meaning as in section 3 of the A.D.E. regulation; (“classe ou cours d’éducation permanente”)

“day school A.D.E.”, for a board, means the day school average daily enrolment for the board, as calculated under section 2 of the A.D.E. regulation; (“effectif quotidien moyen de jour”)

“day school program” does not include continuing education or summer school classes or courses; (“programme scolaire de jour”)

“elementary school pupil” means a pupil who is enrolled in any of junior kindergarten, kindergarten and grades one to eight; (“élève de l’élémentaire”)

“grant regulation” means Ontario Regulation 400/05 (Grants for Student Needs — Legislative Grants for the 2005-2006 School Board Fiscal Year) made under the Act; (“règlement sur les subventions”)

“high cost program” means,

(a) a special education program, or

(b) any other program which both the board and the party from whom the tuition fee is receivable agree is a high cost program for the purposes of this Regulation; (“programme à coût élevé”)

“isolate board” means a school authority other than a section 68 board; (“conseil isolé”)

“P.A.C.”, for a pupil, means the pupil accommodation charge for a pupil as determined under subsections (3) and (4); (“frais de pension”)

“secondary school pupil” means a pupil who is enrolled in any of grades nine to twelve; (“élève du secondaire”)

“section 68 board” means a board established under section 68 of the Act; (“conseil créé en vertu de l’article 68”)

“summer school A.D.E.”, for a board, means the summer school average daily enrolment for the board, as calculated under section 4 of the A.D.E. regulation; (“effectif quotidien moyen des cours d’été”)

“summer school class or course” means a summer school class or course as defined in subsection 4 (1) of the A.D.E. regulation. (“classe ou cours d’été”)

(2) The following rules apply for the purposes of this Regulation:

1. A pupil is considered to be a pupil of a board if he or she is a pupil of the board for the purposes of the grant regulation.

2. The day school A.D.E. of a pupil enrolled in a school operated by a board is the day school A.D.E. for the board, calculated as if the pupil were the board’s only pupil.

(3) The pupil accommodation charge for a pupil is \$141 in the case of an elementary school pupil or \$282 in the case of a secondary school pupil.

(4) Despite subsection (3), if a board has entered into an agreement under subsection 188 (3) of the Act that provides for a payment by the Crown in right of Canada to provide classroom accommodation for a specified number of pupils, the pupil accommodation charge for each pupil accommodated as a result of the agreement is zero.



**Application**

2. This Regulation applies in respect of the fiscal year of boards that commences on September 1, 2005 and ends on August 31, 2006.

**Education for Indians**

3. (1) This section applies in respect of a pupil who is enrolled in a day school program in a school operated by a district school board or an isolate board if a fee in respect of the pupil is receivable by the board from,

- (a) the Crown in right of Canada; or
- (b) a band, the council of a band or an education authority where the band, council of a band or education authority is authorized by the Crown in right of Canada to provide education for Indians.

(2) The fee in respect of the pupil is calculated by multiplying the day school A.D.E. of the pupil by the sum of the P.A.C. for the pupil and the base fee determined,

- (a) under subsection (3), in the case of a pupil who is an elementary school pupil enrolled in a school operated by a district school board;
- (b) under subsection (4), in the case of a pupil who is a secondary school pupil enrolled in a school operated by a district school board; or
- (c) under subsection (6), in the case of a pupil who is enrolled in a school operated by an isolate board.

(3) The base fee for an elementary school pupil enrolled in a school operated by a district school board is determined as follows:

1. Take the sum of,
  - i. the board's base amount for elementary school pupils for the fiscal year, as determined under paragraph 1 of subsection 13 (2) of the grant regulation, and
  - ii. the product of \$200 multiplied by the day school A.D.E. for the board, counting only elementary school pupils of the board.
2. Take the amount of the board's primary class size allocation for the fiscal year, as determined under section 14 of the grant regulation.
3. Determine an amount on account of the special education allocation for elementary school pupils, as follows:
  - i. Take the day school A.D.E. for the board, counting only pupils enrolled in junior kindergarten, kindergarten and grades one to three.
  - ii. Multiply the number determined under subparagraph i by \$608, to obtain the enrolment-based special education amount for junior kindergarten to grade three.
  - iii. Take the day school A.D.E. for the board, counting only pupils enrolled in any of grades four to eight.
  - iv. Multiply the number determined under subparagraph iii by \$459, to obtain the enrolment-based special education amount for grades four to eight.
  - v. Calculate the sum of the approved special equipment claims for elementary school pupils of the board for the fiscal year, as determined under section 17 of the grant regulation.
  - vi. Take the part of the special incidence claim for the board for the fiscal year, as determined under subsection 19 (2) of the grant regulation, that is generated by elementary school pupils of the board.
  - vii. Take the part of the high needs amount for the board, as determined under section 18 of the grant regulation, that is generated by elementary school pupils of the board.
  - viii. Total the amounts obtained under subparagraphs ii, iv, v, vi and vii.
4. In the case of an English-language district school board, determine an amount on account of the language allocation for elementary school pupils, as follows:
  - i. Take the French as a second language amount for elementary school pupils of the board for the fiscal year, as determined under section 23 of the grant regulation.
  - ii. Calculate the part of the ESL/ESD amount for the board that is generated by elementary school pupils of the board, as follows:
    - A. Calculate the part of the ESL/ESD amount for the board, as calculated under clauses 25 (1) (a) to (d) of the grant regulation, if only elementary school pupils of the board were counted.
    - B. Take the amount set out for the board in Table 1 of the grant regulation opposite the name of the board.

- C. Divide the amount referred to in sub-subparagraph B by the day school A.D.E. for the board, counting only pupils of the board.
  - D. Multiply the result obtained under sub-subparagraph C by the day school A.D.E. for the board, counting only elementary school pupils of the board.
  - E. Add the amounts calculated under sub-subparagraphs A and D.
- iii. Add the amount referred to in subparagraph i and the amount determined under subparagraph ii.
5. In the case of a French-language district school board, determine an amount on account of the language allocation for elementary school pupils, as follows:
    - i. Multiply by \$444.80 the number of elementary school pupils of the board on October 31, 2005.
    - ii. Divide \$86,745.90 by the day school A.D.E. for the board.
    - iii. Multiply the amount determined under subparagraph ii by the day school A.D.E. for the board, counting only elementary school pupils of the board.
    - iv. Add the product determined under subparagraph iii to the total of the amounts determined under paragraphs 2 and 3 of subsection 28 (2) of the grant regulation.
    - v. Calculate the part of the PDF funding level for the board for the fiscal year, as determined under subsection 28 (3) of the grant regulation, that is generated by elementary school pupils of the board.
    - vi. Total the amounts determined under subparagraphs i, iv and v.
  6. Determine an amount on account of the distant schools and rural schools allocation for elementary school pupils as follows:
    - i. Take the elementary school principals amount determined under subsection 29 (2) of the grant regulation.
    - ii. Take the total of the amounts determined under paragraph 1 of subsection 29 (3) of Ontario Regulation 139/03 (Student Focused Funding — Legislative Grants for the 2003-2004 School Board Fiscal Year) made under the Act for each distant elementary school of the board within the meaning of subsection 29 (2.1) of that regulation.
    - iii. Total the amounts, if any, set out in Column 8 of Table 3 of the grant regulation opposite both the name of an elementary school in Column 3 and the name of board in Column 1.
    - iv. Total the amounts, if any, set out in Column 8 of Table 4 of the grant regulation opposite both the name of an elementary school in Column 3 and the name of board in Column 1.
    - v. Take the amount set out in Column 2 of Table 5 of the grant regulation opposite the name of the board in Column 1.
    - vi. Take the amount determined in respect of the board under paragraph 9 of subsection 29 (4) of the grant regulation.
    - vii. Add the amount determined under subparagraph iii to the amount determined under subparagraph v.
    - viii. Subtract the amount determined under subparagraph vii from the sum of the amounts determined under subparagraphs i, ii, iv and vi.
  7. Determine an amount on account of the remote and rural allocation for elementary school pupils, as follows:
    - i. Divide the amount of the board's remote and rural allocation for the year, as determined under section 30 of the grant regulation, by the day school A.D.E. for the board, counting only pupils of the board.
    - ii. Multiply the amount determined under subparagraph i by the day school A.D.E. for the board, counting only elementary school pupils of the board.
  8. Determine an amount on account of the learning opportunities allocation for elementary school pupils, as follows:
    - i. Take the total of,
      - A. the amount determined for the board under paragraph 1 of subsection 31 (1) of the grant regulation,
      - B. the amount determined for the board under paragraph 4 of subsection 31 (4) of the grant regulation, and
      - C. \$144,512.
    - ii. Divide the amount determined under subparagraph i by the day school A.D.E. for the board, counting only pupils of the board.
    - iii. Multiply the amount determined under subparagraph ii by the day school A.D.E. for the board, counting only elementary school pupils of the board.

- iv. Multiply the day school A.D.E. for the board, counting only pupils enrolled in junior kindergarten, kindergarten and grades one to three, by \$126.
  - v. Take the total of,
    - A. the amount determined for the board under paragraph 2 of subsection 31 (4) of the grant regulation, and
    - B. the amount determined for the board under paragraph 8 of subsection 31 (4) of the grant regulation.
  - vi. Add the amounts determined under subparagraphs iii, iv and v.
9. Take the amount of the board's elementary school teacher qualification and experience allocation for the fiscal year, as determined under subsection 33 (12) of the grant regulation.
  10. Determine an amount on account of the cost adjustment for non-teachers for elementary school pupils as follows:
    - i. Divide the amount set out in Column 2 of Table 9 opposite the name of the board in Column 1 by the day school A.D.E. for the board, counting only pupils of the board.
    - ii. Multiply the amount determined under subparagraph i by the day school A.D.E. for the board, counting only elementary school pupils of the board.
  11. Determine an amount on account of the administration and governance allocation for elementary school pupils, as follows:
    - i. Divide the amount of the board's administration and governance allocation for the fiscal year, as determined under section 35 of the grant regulation, by the day school A.D.E. for the board, counting only pupils of the board.
    - ii. Multiply the amount determined under subparagraph i by the day school A.D.E. for the board, counting only elementary school pupils of the board.
  12. Determine an amount on account of the school operations part of the pupil accommodation allocation for elementary school pupils by multiplying the benchmark operating cost of \$62.84 per metre squared,
    - i. by the adjusted elementary school area requirement for the board determined under section 36 of the grant regulation, if a supplementary elementary school area factor is approved for the board under that section, or
    - ii. by the elementary school area requirement for the board determined under section 36 of the grant regulation, if no supplementary elementary school area factor is approved for the board under that section.
  13. Take the total of the amounts determined in respect of the board under paragraphs 17, 21 and 26 of subsection 36 (3) of the grant regulation.
  14. Determine an amount on account of the board's adjustment for declining enrolment in respect of elementary school pupils by,
    - i. dividing the amount of the board's adjustment for declining enrolment, if any, as determined under section 38 of the grant regulation, by the day school A.D.E. for the board, counting only pupils of the board, and
    - ii. multiplying the amount determined under subparagraph i by the day school A.D.E. for the board, counting only elementary school pupils of the board.
  15. Total the amounts determined for the board under paragraphs 1 to 14.
  16. Divide the amount determined under paragraph 15 by the day school A.D.E. for the board, counting only elementary school pupils of the board.
- (4) The base fee for a pupil who is a secondary school pupil enrolled in a school operated by a district school board is determined as follows:
1. Take the sum of,
    - i. the board's base amount for secondary school pupils for the fiscal year, as determined under paragraph 2 of subsection 13 (2) of the grant regulation, and
    - ii. the product of \$200 multiplied by the day school A.D.E. for the board, counting only secondary school pupils of the board.
  2. Determine an amount on account of the special education allocation for secondary school pupils, as follows:
    - i. Determine the day school A.D.E. of the board, counting only secondary school pupils of the board.
    - ii. Multiply the number determined under subparagraph i by \$296.

- iii. Calculate the sum of the approved special equipment claims for secondary school pupils of the board for the fiscal year, as determined under section 17 of the grant regulation.
  - iv. Take the part of the special incidence claim for the board for the fiscal year, as determined under subsection 19 (2) of the grant regulation, that is generated by secondary school pupils of the board.
  - v. Take the part of the high needs amount for the board, as determined under section 18 of the grant regulation, that is generated by secondary school pupils of the board.
  - vi. Total the amounts obtained under subparagraphs ii, iii, iv and v.
3. In the case of an English-language district school board, determine an amount on account of the language allocation for secondary school pupils, as follows:
- i. Take the French as a second language amount for secondary school pupils of the board for the fiscal year, as determined under section 23 of the grant regulation.
  - ii. Calculate the part of the ESL/ESD amount for the board that is generated by secondary school pupils of the board, as follows:
    - A. Calculate the part of the ESL/ESD amount for the board, as calculated under clauses 25 (1) (a) to (d) of the grant regulation, if only secondary school pupils of the board were counted.
    - B. Take the amount set out for the board in Table 1 of the grant regulation opposite the name of the board.
    - C. Divide the amount referred to in sub-subparagraph B by the day school A.D.E. for the board, counting only pupils of the board.
    - D. Multiply the result obtained under sub-subparagraph C by the day school A.D.E. for the board, counting only secondary school pupils of the board.
    - E. Add the amounts calculated under sub-subparagraphs A and D.
  - iii. Add the amount referred to in subparagraph i and the amount determined under subparagraph ii.
4. In the case of a French-language district school board, determine an amount on account of the language allocation for secondary school pupils, as follows:
- i. Multiply \$718.40 by the day school A.D.E., counting only secondary school pupils of the board.
  - ii. Divide \$86,745.90 by the day school A.D.E. for the board.
  - iii. Multiply the amount determined under subparagraph ii by the day school A.D.E. for the board, counting only secondary school pupils of the board.
  - iv. Add the product determined under subparagraph iii to the total of the amounts determined under paragraphs 5 and 6 of subsection 28 (2) of the grant regulation.
  - v. Calculate the part of the PDF funding level for the board for the fiscal year, as determined under subsection 28 (3) of the grant regulation, that is generated by secondary school pupils of the board.
  - vi. Total the amounts determined under subparagraphs i, iv and v.
5. Determine an amount on account of the distant schools and rural schools allocation for secondary school pupils as follows:
- i. Take the secondary school principals amount determined under subsection 29 (3) of the grant regulation.
  - ii. Take the total of the amounts determined under paragraph 2 of subsection 29 (3) of Ontario Regulation 139/03 (Student Focused Funding — Legislative Grants for the 2003-2004 School Board Fiscal Year) made under the Act for each distant secondary school of the board within the meaning of subsection 29 (2.6) of that regulation.
  - iii. Total the amounts, if any, set out in Column 8 of Table 3 of the grant regulation opposite both the name of a secondary school in Column 4 and the name of board in Column 1.
  - iv. Total the amounts, if any, set out in Column 8 of Table 4 of the grant regulation opposite both the name of a secondary school in Column 4 and the name of board in Column 1.
  - v. Take the amount determined in respect of the board under paragraph 17 of subsection 29 (4) of the grant regulation.
  - vi. Subtract the amount determined under subparagraph iii from the sum of the amounts determined under subparagraphs i, ii, iv and v.
6. Determine an amount on account of the remote and rural allocation for secondary school pupils, as follows:

- i. Divide the amount of the board's remote and rural allocation for the fiscal year, as determined under section 30 of the grant regulation, by the day school A.D.E. for the board, counting only pupils of the board.
  - ii. Multiply the amount determined under subparagraph i by the day school A.D.E. for the board, counting only secondary school pupils of the board.
7. Determine an amount on account of the learning opportunities allocation for secondary school pupils, as follows:
  - i. Take the total of,
    - A. the amount determined for the board under paragraph 1 of subsection 31 (1) of the grant regulation,
    - B. the amount determined for the board under paragraph 4 of subsection 31 (4) of the grant regulation, and
    - C. \$144,512.
  - ii. Divide the amount determined under subparagraph i by the day school A.D.E. for the board, counting only pupils of the board.
  - iii. Multiply the amount determined under subparagraph ii by the day school A.D.E. for the board, counting only secondary school pupils of the board.
  - iv. Take the total of,
    - A. the amount determined for the board under paragraph 1 of subsection 31 (4) of the grant regulation, and
    - B. the amount determined for the board under paragraph 6 of subsection 31 (4) of the grant regulation.
  - v. Add the amounts determined under subparagraphs iii and iv.
8. Take the amount of the board's secondary school teacher qualification and experience allocation for the fiscal year, as determined under subsection 33 (13) of the grant regulation.
9. Determine an amount on account of the cost adjustment for non-teachers for secondary school pupils as follows:
  - i. Divide the amount set out in Column 2 of Table 9 opposite the name of the board in Column 1 by the day school A.D.E. for the board, counting only pupils of the board.
  - ii. Multiply the amount determined under subparagraph i by the day school A.D.E. for the board, counting only secondary school pupils of the board.
10. Determine an amount on account of the administration and governance allocation for secondary school pupils, as follows:
  - i. Divide the amount of the board's administration and governance allocation for the fiscal year, as determined under section 35 of the grant regulation, by the day school A.D.E. for the board, counting only pupils of the board.
  - ii. Multiply the amount determined under subparagraph i by the day school A.D.E. for the board, counting only secondary school pupils of the board.
11. Determine an amount on account of the school operations part of the pupil accommodation allocation for secondary school pupils, by multiplying the benchmark operating cost of \$62.84 per metre squared,
  - i. by the adjusted secondary school area requirement for the board determined under section 36 of the grant regulation, if a supplementary secondary school area factor is approved for the board under that section, or
  - ii. by the secondary school area requirement for the board determined under section 36 of the grant regulation, if no supplementary secondary school area factor is approved for the board under that section.
12. Take the total of the amounts determined in respect of the board under paragraphs 28, 32 and 37 of subsection 36 (3) of the grant regulation.
13. Determine an amount on account of the board's adjustment for declining enrolment in respect of secondary school pupils by,
  - i. dividing the amount of the board's adjustment for declining enrolment, if any, as determined under section 38 of the grant regulation, by the day school A.D.E. for the board, counting only pupils of the board, and
  - ii. multiplying the amount determined under subparagraph i by the day school A.D.E. for the board, counting only secondary school pupils of the board.
14. Total the amounts determined for the board under paragraphs 1 to 13.
15. Divide the amount determined under paragraph 14 by the day school A.D.E. for the board, counting only secondary school pupils of the board.

(5) The base fee for a pupil who is enrolled in a school operated by an isolate board is determined as follows:

1. Take the approved expenditure of the board within the meaning of subsection 46 (1) of the grant regulation.
2. Deduct the amount of the approved expenditure referred to in paragraph 1 that relates to transportation.
3. Deduct the amount of the approved expenditure referred to in paragraph 1 that relates to school renewal.
4. Divide the amount obtained under paragraph 3 by the day school A.D.E. for the board, counting only pupils of the board.

(6) The fee in respect of a pupil described in subsection (1) who is enrolled in a Native language program in a school operated by a district school board and whose fee is receivable from an entity described in clause (1) (a) or (b), may be increased, at the option of the district school board, by an amount equal to the allocation for Native language that would be generated for the pupil if he or she were a pupil of the board, determined in accordance with section 24 of the grant regulation.

(7) The fee in respect of a pupil described in subsection (1) who is enrolled in a high cost program may be increased, at the option of the board, to the amount determined by multiplying the fee that would otherwise be payable,

- (a) by a factor agreed on by the board providing the instruction and the party from whom the fee is receivable; or
- (b) by a factor determined in the manner described in subsection (9) if the board and the party cannot agree on a factor.

(8) If the board providing the instruction and the party from whom the fee is receivable cannot agree on a factor, the factor shall be determined by three arbitrators, appointed as follows:

1. One arbitrator appointed by the board that provides the instruction.
2. One arbitrator appointed by the party from whom the fee is receivable.
3. One arbitrator appointed by the arbitrators appointed under paragraphs 1 and 2.

(9) The decision of the arbitrators or a majority of them is final and binding on the board providing the instruction and on the party from whom the fee is receivable.

(10) This section does not apply in respect of a pupil to whom subsection 49 (6) of the Act applies.

**Fees, residing in Ontario**

4. (1) This section applies in respect of a pupil described in subsection 46 (2) of the Act who is enrolled in a day school program in a school of a district school board or an isolate board and who resides in a school section, separate school zone or secondary school district in which the pupil's parent or guardian resides, on land that is exempt from taxation for the purposes of any board.

(2) The fee that a board shall charge in respect of a pupil described in subsection (1) to the parent or guardian is \$40 for each month or part of a month the pupil is enrolled in a school of the board.

(3) A board charging a parent or guardian a fee of \$40 for any month or part of a month under subsection (2) in respect of a pupil described in subsection (1) who is enrolled in a school of the board shall not charge the parent or guardian any fee under subsection (2) for the same month or part of a month in respect of another pupil described in subsection (1) who is enrolled in a school of the board.

(4) This section does not apply in respect of a pupil to whom subsection 49 (6) of the Act applies.

**Fees, not residing in Ontario**

5. (1) The fee in respect of a pupil who is enrolled in a day school program in a school of a district school board or an isolate board and whose parent or guardian does not reside in Ontario is an amount determined by the board that does not exceed the maximum fee determined under subsection (2) or (3).

(2) Except as is provided in subsection (3), the maximum fee is the amount calculated as follows:

1. Add the base fee determined for the pupil under subsection 3 (3), (4) or (5), as applicable, and the P.A.C. for the pupil.
2. Multiply the amount obtained under paragraph 1 by 0.1.
3. Multiply the result obtained under paragraph 2 by the number of months or part months during which the pupil is enrolled in a school operated by the board.

(3) If the pupil is enrolled in a high cost program, the maximum fee is the total of the amount calculated under subsection (2) and such additional amount as may be determined by the Board that does not exceed the additional cost to the board of providing the high cost program to the pupil.

(4) This section does not apply in respect of a pupil to whom subsection 49 (6) of the Act applies.

**Fees, s. 68 boards**

6. (1) The fee in respect of a pupil who is enrolled in a day school program in a school operated by a section 68 board and whose parent or guardian does not reside in Ontario is the amount determined as follows:

1. Take the expenditure of the board for the fiscal year that is acceptable to the Minister for grant purposes, excluding,
  - i. expenditures for debt charges,
  - ii. expenditures for the purchase of capital assets, as determined under the grant regulation,
  - iii. expenditures for the restoration of destroyed or damaged capital assets, as determined under the grant regulation, and
  - iv. provisions for reserves for working funds and provisions for reserve funds.
2. Deduct the revenue of the board for the fiscal year from,
  - i. any organization on whose property a school of the board is located, and
  - ii. refunds of expenditure of the kind described in subparagraph 1 i, ii or iii.
3. Determine the number of pupil days for the period September 1, 2005 to August 31, 2006 by adding, for each instructional day in that period, the number of pupils enrolled in schools of the board who receive instruction on that day.
4. Divide the amount obtained under paragraph 2 by the total number of pupil days determined under paragraph 3.
5. Multiply the result obtained under paragraph 4 by the number of instructional days for which the pupil is enrolled in a school of the board during the same period.

(2) This section does not apply to a pupil to whom subsection 49 (6) of the Act applies.

**Fees, pupils to whom s. 49 (6) of the Act applies**

7. (1) The fee in respect of a pupil who is enrolled in a day school program and to whom subsection 49 (6) of the Act applies is the amount determined in accordance with a fees policy developed for the purposes of this section by the board that operates the school in which the pupil is enrolled.

(2) A board's fee policy must not authorize a fee in respect of an elementary school pupil that is less than the amount that would be calculated under subsection 3 (2) of this Regulation in respect of an elementary school pupil, if that subsection had applied to the pupil and subsection 49 (6) of the Act had not applied to the pupil.

(3) A board's fee policy must not authorize a fee in respect of a secondary school pupil that is less than the amount that would be calculated under subsection 3 (2) of this Regulation in respect of a secondary school pupil, if that subsection had applied to the pupil and subsection 49 (6) of the Act had not applied to the pupil.

**Fees, summer school and continuing education**

8. (1) The fee in respect of a pupil to whom subsection 49 (6) of the Act applies and who is enrolled in a summer school or continuing education class or course provided by a district school board or an isolate board is the amount determined by the board.

(2) The fee referred to in subsection (1) in respect of a pupil enrolled in a continuing education class or course of the board shall not be less than the fee determined by applying paragraphs 1 to 3 of subsection (4).

(3) The fee referred to in subsection (1) in respect of a pupil enrolled in a summer school program of the board shall not be less than the fee determined by applying paragraphs 1 to 3 of subsection (5).

(4) The fee in respect of a pupil described in subsection 3 (1) or 5 (1) who is enrolled in a continuing education class or course provided by a district school board or an isolate board is such amount as may be agreed on by the board and the party from whom the fee is receivable or, in the absence of agreement, the amount determined as follows:

1. Determine the expenditure of the board in the fiscal year for continuing education classes or courses.
2. Divide the amount determined under paragraph 1 by the continuing education A.D.E. for the board.
3. Multiply the result obtained under paragraph 2 by the continuing education A.D.E. for the board, counting only pupils described in this subsection.

(5) The fee in respect of a pupil described in subsection 3 (1) or 5 (1) who is enrolled in a summer school class or course provided by a district school board or an isolate board is such amount as may be agreed on by the board and the party from whom the fee is receivable or, in the absence of agreement, the amount determined as follows:

1. Determine the expenditure of the board in the fiscal year for summer school classes or courses.
2. Divide the amount determined under paragraph 1 by the summer school A.D.E. for the board.

3. Multiply the result obtained under paragraph 2 by the summer school A.D.E. for the board, counting only pupils described in this subsection.

**No fee between boards**

9. No fee is payable under this Regulation by one board to another board.

**RÈGLEMENT DE L'ONTARIO 399/05**

pris en application de la

**LOI SUR L'ÉDUCATION**

pris le 22 juin 2005  
approuvé le 22 juin 2005  
déposé le 27 juin 2005

**CALCUL DES DROITS EXIGIBLES À L'ÉGARD DES ÉLÈVES POUR L'EXERCICE 2005-2006  
DES CONSEILS SCOLAIRES**

**Interprétation**

1. (1) Les définitions qui suivent s'appliquent au présent règlement.
- «classe ou cours d'éducation permanente» S'entend au sens de l'article 3 du règlement sur l'effectif quotidien moyen. («continuing education class or course»)
- «classe ou cours d'été» S'entend au sens du paragraphe 4 (1) du règlement sur l'effectif quotidien moyen. («summer school class or course»)
- «conseil créé en vertu de l'article 68» Conseil créé en vertu de l'article 68 de la Loi. («section 68 board»)
- «conseil isolé» Administration scolaire, à l'exclusion d'un conseil créé en vertu de l'article 68. («isolate board»)
- «effectif quotidien moyen de jour» À l'égard d'un conseil, s'entend de l'effectif quotidien moyen de jour du conseil calculé en application de l'article 2 du règlement sur l'effectif quotidien moyen. («day school A.D.E.»)
- «effectif quotidien moyen des cours d'éducation permanente» À l'égard d'un conseil, s'entend de l'effectif quotidien moyen des cours d'éducation permanente du conseil calculé en application de l'article 3 du règlement sur l'effectif quotidien moyen. («continuing education A.D.E.»)
- «effectif quotidien moyen des cours d'été» À l'égard d'un conseil, s'entend de l'effectif quotidien moyen des cours d'été du conseil calculé en application de l'article 4 du règlement sur l'effectif quotidien moyen. («summer school A.D.E.»)
- «élève de l'élémentaire» Élève inscrit à la maternelle, au jardin d'enfants ou à l'une des huit premières années d'études. («elementary school pupil»)
- «élève du secondaire» Élève inscrit à la neuvième, dixième, onzième ou douzième année d'études. («secondary school pupil»)
- «frais de pension» À l'égard d'un élève, s'entend des frais de pension de l'élève calculés en application des paragraphes (3) et (4). («P.A.C.»)
- «programme à coût élevé» Selon le cas :
- a) programme d'enseignement à l'enfance en difficulté;
  - b) tout autre programme dont le conseil et la partie qui doit payer les droits de scolarité conviennent qu'il s'agit d'un programme à coût élevé pour l'application du présent règlement. («high cost program»)
- «programme scolaire de jour» Les classes ou cours d'éducation permanente et les classes ou cours d'été ne sont pas compris dans les programmes scolaires de jour. («day school program»)
- «règlement sur l'effectif quotidien moyen» Le Règlement de l'Ontario 398/05 («Calcul de l'effectif quotidien moyen pour l'exercice 2005-2006 des conseils scolaires») pris en application de la Loi. («A.D.E. regulation»)



«règlement sur les subventions» Le Règlement de l'Ontario 400/05 («Subventions pour les besoins des écoles — subventions générales pour l'exercice 2005-2006 des conseils scolaires») pris en application de la Loi. («grant regulation»)

(2) Les règles suivantes s'appliquent dans le cadre du présent règlement :

1. Un élève est considéré comme un élève d'un conseil s'il l'est pour l'application du règlement sur les subventions.
2. L'effectif quotidien moyen de jour d'un élève inscrit à une école qui relève d'un conseil est l'effectif quotidien moyen de jour du conseil calculé comme si l'élève était le seul élève du conseil.

(3) Les frais de pension sont de 141 \$ dans le cas d'un élève de l'élémentaire et de 282 \$ dans le cas d'un élève du secondaire.

(4) Malgré le paragraphe (3), si un conseil a conclu, en vertu du paragraphe 188 (3) de la Loi, une entente qui prévoit le paiement, par la Couronne du chef du Canada, d'une somme permettant la fourniture de facilités d'accueil à un nombre précis d'élèves, les frais de pension de chaque élève visé par l'entente sont nuls.

#### Application

2. Le présent règlement s'applique à l'égard de l'exercice des conseils qui commence le 1<sup>er</sup> septembre 2005 et qui se termine le 31 août 2006.

#### Enseignement aux Indiens

3. (1) Le présent article s'applique à l'égard de l'élève inscrit à un programme scolaire de jour dans une école qui relève d'un conseil scolaire de district ou d'un conseil isolé si le conseil peut recevoir des droits à l'égard de cet élève :

- a) soit de la Couronne du chef du Canada;
- b) soit d'une bande, d'un conseil de bande ou d'une commission indienne de l'éducation que la Couronne du chef du Canada autorise à dispenser l'enseignement aux Indiens.

(2) Les droits exigibles à l'égard de l'élève sont calculés en multipliant l'effectif quotidien moyen de jour de l'élève par la somme des frais de pension de l'élève et des droits de base calculés :

- a) en application du paragraphe (3), dans le cas d'un élève de l'élémentaire inscrit à une école qui relève d'un conseil scolaire de district;
- b) en application du paragraphe (4), dans le cas d'un élève du secondaire inscrit à une école qui relève d'un conseil scolaire de district;
- c) en application du paragraphe (6), dans le cas d'un élève inscrit à une école qui relève d'un conseil isolé.

(3) Les droits de base relatifs à un élève de l'élémentaire inscrit à une école qui relève d'un conseil scolaire de district sont calculés de la manière suivante :

1. Prendre le total de ce qui suit :
  - i. la somme de base du conseil qui vise les élèves de l'élémentaire pour l'exercice, calculée en application de la disposition 1 du paragraphe 13 (2) du règlement sur les subventions,
  - ii. le produit obtenu en multipliant par 200 \$ l'effectif quotidien moyen de jour du conseil, en ne comptant que ses élèves de l'élémentaire.
2. Prendre la somme liée à l'élément effectif des classes primaire, calculée en application de l'article 14 du règlement sur les subventions, qui est versée au conseil pour l'exercice.
3. Calculer la part de l'élément éducation de l'enfance en difficulté qui vise les élèves de l'élémentaire de la manière suivante :
  - i. Prendre l'effectif quotidien moyen de jour du conseil, en ne comptant que les élèves inscrits à la maternelle, au jardin d'enfants et aux première, deuxième et troisième années.
  - ii. Multiplier le nombre obtenu en application de la sous-disposition i par 608 \$ pour obtenir la somme liée à l'éducation de l'enfance en difficulté fondée sur l'effectif pour les élèves de la maternelle aux première, deuxième et troisième années.
  - iii. Prendre l'effectif quotidien moyen de jour du conseil, en ne comptant que les élèves inscrits aux quatrième, cinquième, sixième, septième et huitième années.
  - iv. Multiplier le nombre obtenu en application de la sous-disposition iii par 459 \$ pour obtenir la somme liée à l'éducation de l'enfance en difficulté fondée sur l'effectif pour les élèves des quatrième, cinquième, sixième, septième et huitième années.
  - v. Faire le total de toutes les demandes de matériel spécialisé approuvées à l'égard des élèves de l'élémentaire du conseil pour l'exercice, calculées en application de l'article 17 du règlement sur les subventions.

- vi. Prendre la part de la demande pour cas spéciaux du conseil pour l'exercice, calculée en application du paragraphe 19 (2) du règlement sur les subventions, qui vise ses élèves de l'élémentaire.
  - vii. Prendre la part de la somme liée aux besoins élevés du conseil, calculée en application de l'article 18 du règlement sur les subventions, qui vise ses élèves de l'élémentaire.
  - viii. Additionner les sommes obtenues en application des sous-dispositions ii, iv, v, vi et vii.
4. Dans le cas d'un conseil scolaire de district de langue anglaise, calculer la part de l'élément enseignement des langues qui vise les élèves de l'élémentaire de la manière suivante :
- i. Prendre la somme liée aux programmes de français langue seconde pour les élèves de l'élémentaire du conseil pour l'exercice, calculée en application de l'article 23 du règlement sur les subventions.
  - ii. Calculer la part de la somme liée aux programmes d'ESL/ESD du conseil qui vise ses élèves de l'élémentaire de la manière suivante :
    - A. Calculer la part de la somme liée aux programmes d'ESL/ESD du conseil, calculée en application des alinéas 25 (1) a) à d) du règlement sur les subventions, si seulement les élèves de l'élémentaire du conseil ont été comptés.
    - B. Prendre la somme fixée pour le conseil au tableau 1 du règlement sur les subventions.
    - C. Diviser la somme visée à la sous-sous-disposition B par l'effectif quotidien moyen de jour du conseil calculé en ne comptant que ses élèves.
    - D. Multiplier le résultat obtenu en application de la sous-sous-disposition C par l'effectif quotidien moyen de jour du conseil calculé en ne comptant que ses élèves de l'élémentaire.
    - E. Additionner les sommes calculées en application des sous-sous-dispositions A et D.
  - iii. Additionner la somme visée à la sous-disposition i et la somme calculée en application de la sous-disposition ii.
5. Dans le cas d'un conseil scolaire de district de langue française, calculer la part de l'élément enseignement des langues qui vise les élèves de l'élémentaire de la manière suivante :
- i. Multiplier par 444,80 \$ le nombre d'élèves de l'élémentaire du conseil au 31 octobre 2005.
  - ii. Diviser 86 745,90 \$ par l'effectif quotidien moyen de jour du conseil.
  - iii. Multiplier le résultat obtenu en application de la sous-disposition ii par l'effectif quotidien moyen de jour du conseil, calculé en ne comptant que ses élèves de l'élémentaire.
  - iv. Ajouter le produit obtenu en application de la sous-disposition iii au total des sommes calculées en application des dispositions 2 et 3 du paragraphe 28 (2) du règlement sur les subventions.
  - v. Calculer la part du niveau de financement des programmes de PDF du conseil pour l'exercice, calculé en application du paragraphe 28 (3) du règlement sur les subventions, qui vise les élèves de l'élémentaire du conseil.
  - vi. Additionner les sommes calculées en application des sous-dispositions i, iv et v.
6. Calculer la part de l'élément écoles rurales et écoles éloignées qui vise les élèves de l'élémentaire de la manière suivante :
- i. Prendre la somme liée aux directeurs d'école élémentaire calculée en application du paragraphe 29 (2) du règlement sur les subventions.
  - ii. Prendre le total des sommes calculées, en application de la disposition 1 du paragraphe 29 (3) du Règlement de l'Ontario 139/03 («Financement axé sur les besoins des écoles — subventions générales pour l'exercice 2003-2004 des conseils scolaires») pris en application de la Loi, à l'égard de chacune des écoles élémentaires éloignées du conseil, au sens du paragraphe 29 (2.1) de ce règlement.
  - iii. Additionner les sommes éventuelles indiquées à la colonne 8 du tableau 3 du règlement sur les subventions en regard du nom de l'école élémentaire à la colonne 3 et du nom du conseil à la colonne 1.
  - iv. Additionner les sommes éventuelles indiquées à la colonne 8 du tableau 4 du règlement sur les subventions en regard du nom de l'école élémentaire à la colonne 3 et du nom du conseil à la colonne 1.
  - v. Prendre la somme indiquée à la colonne 2 du tableau 5 du règlement sur les subventions en regard du nom du conseil à la colonne 1.
  - vi. Prendre la somme calculée à l'égard du conseil en application de la disposition 9 du paragraphe 29 (4) du règlement sur les subventions.

- vii. Ajouter la somme calculée en application de la sous-disposition iii à celle qui est calculée en application de la sous-disposition v.
  - viii. Soustraire la somme calculée en application de la sous-disposition vii du total des sommes calculées en application des sous-dispositions i, ii, iv et vi.
7. Calculer la part de l'élément conseils ruraux et éloignés qui vise les élèves de l'élémentaire de la manière suivante :
    - i. Diviser l'élément conseils ruraux et éloignés du conseil pour l'année, calculé en application de l'article 30 du règlement sur les subventions, par l'effectif quotidien moyen de jour du conseil calculé en ne comptant que ses élèves.
    - ii. Multiplier la somme calculée en application de la sous-disposition i par l'effectif quotidien moyen de jour du conseil calculé en ne comptant que ses élèves de l'élémentaire.
  8. Calculer la part de l'élément programmes d'aide à l'apprentissage qui vise les élèves de l'élémentaire de la manière suivante :
    - i. Prendre le total de ce qui suit :
      - A. la somme obtenue pour le conseil en application de la disposition 1 du paragraphe 31 (1) du règlement sur les subventions,
      - B. la somme calculée pour le conseil en application de la disposition 4 du paragraphe 31 (4) du règlement sur les subventions,
      - C. 144 512 \$.
    - ii. Diviser la somme calculée en application de la sous-disposition i par l'effectif quotidien moyen de jour du conseil calculé en ne comptant que ses élèves.
    - iii. Multiplier la somme calculée en application de la sous-disposition ii par l'effectif quotidien moyen de jour du conseil calculé en ne comptant que ses élèves de l'élémentaire.
    - iv. Multiplier par 126 \$ l'effectif quotidien moyen de jour du conseil calculé en ne comptant que les élèves inscrits à la maternelle, au jardin d'enfants et aux première, deuxième et troisième années.
    - v. Prendre le total de ce qui suit :
      - A. la somme calculée pour le conseil en application de la disposition 2 du paragraphe 31 (4) du règlement sur les subventions,
      - B. la somme calculée pour le conseil en application de la disposition 8 du paragraphe 31 (4) du règlement sur les subventions.
    - vi. Additionner les sommes calculées en application des sous-dispositions iii, iv et v.
  9. Prendre la part de l'élément compétence et expérience des enseignants de l'élémentaire du conseil pour l'exercice, calculé en application du paragraphe 33 (12) du règlement sur les subventions.
  10. Calculer la part de l'élément redressement des coûts pour le personnel non enseignant qui vise les élèves de l'élémentaire de la manière suivante :
    - i. Diviser la somme indiquée à la colonne 2 du tableau 9 en regard du nom du conseil à la colonne 1 par l'effectif quotidien moyen de jour du conseil calculé en ne comptant que ses élèves.
    - ii. Multiplier la somme calculée en application de la sous-disposition i par l'effectif quotidien moyen de jour du conseil calculé en ne comptant que ses élèves de l'élémentaire.
  11. Calculer la part de l'élément administration et gestion qui vise les élèves de l'élémentaire de la manière suivante :
    - i. Diviser la part de l'élément administration et gestion du conseil pour l'exercice, calculé en application de l'article 35 du règlement sur les subventions, par l'effectif quotidien moyen de jour du conseil calculé en ne comptant que ses élèves.
    - ii. Multiplier la somme calculée en application de la sous-disposition i par l'effectif quotidien moyen de jour du conseil calculé en ne comptant que ses élèves de l'élémentaire.
  12. Calculer la part de la portion fonctionnement des écoles de l'élément installations d'accueil pour les élèves qui vise les élèves de l'élémentaire, en multipliant par le coût repère de fonctionnement de 62,84 \$ le mètre carré :
    - i. soit la superficie redressée des écoles élémentaires requise pour le conseil calculée en application de l'article 36 du règlement sur les subventions, si un facteur relatif à la superficie supplémentaire des écoles élémentaires est approuvé pour le conseil en application de cet article,

- ii. soit la superficie des écoles élémentaires requise pour le conseil calculée en application de l'article 36 du règlement sur les subventions, si aucun facteur relatif à la superficie supplémentaire des écoles élémentaires n'est approuvé pour le conseil en application de cet article.
13. Prendre le total des sommes calculées à l'égard du conseil en application des dispositions 17, 21 et 26 du paragraphe 36 (3) du règlement sur les subventions.
  14. Calculer la part de la somme liée au redressement pour baisse des effectifs du conseil qui vise les élèves de l'élémentaire de la manière suivante :
    - i. Diviser la somme liée au redressement pour baisse des effectifs du conseil, le cas échéant, calculée en application de l'article 38 du règlement sur les subventions par l'effectif quotidien moyen de jour du conseil calculé en ne comptant que ses élèves.
    - ii. Multiplier la somme calculée en application de la sous-disposition i par l'effectif quotidien moyen de jour du conseil calculé en ne comptant que ses élèves de l'élémentaire.
  15. Additionner les sommes calculées pour le conseil en application des dispositions 1 à 14.
  16. Diviser la somme calculée en application de la disposition 15 par l'effectif quotidien moyen de jour du conseil calculé en ne comptant que ses élèves de l'élémentaire.
- (4) Les droits de base relatifs à un élève du secondaire inscrit à une école qui relève d'un conseil scolaire de district sont calculés de la manière suivante :
1. Prendre le total de ce qui suit :
    - i. la somme de base du conseil qui vise les élèves du secondaire pour l'exercice, calculée en application de la disposition 2 du paragraphe 13 (2) du règlement sur les subventions,
    - ii. le produit obtenu en multipliant par 200 \$ l'effectif quotidien moyen de jour du conseil, en ne comptant que ses élèves du secondaire.
  2. Calculer la part de l'élément éducation de l'enfance en difficulté qui vise les élèves du secondaire de la manière suivante :
    - i. Calculer l'effectif quotidien moyen de jour du conseil, en ne comptant que ses élèves du secondaire.
    - ii. Multiplier le nombre obtenu en application de la sous-disposition i par 296 \$.
    - iii. Calculer la somme des demandes de matériel spécialisé approuvées pour l'exercice, calculées en application de l'article 17 du règlement sur les subventions, qui visent les élèves du secondaire du conseil.
    - iv. Prendre la part de la demande pour cas spéciaux du conseil pour l'exercice, calculée en application du paragraphe 19 (2) du règlement sur les subventions, qui vise les élèves du secondaire du conseil.
    - v. Prendre la part de la somme liée aux besoins élevés du conseil, calculée en application de l'article 18 du règlement sur les subventions, qui vise ses élèves du secondaire.
    - vi. Additionner les sommes obtenues en application des sous-dispositions ii, iii, iv et v.
  3. Dans le cas d'un conseil scolaire de district de langue anglaise, calculer la part de l'élément enseignement des langues qui vise les élèves du secondaire de la manière suivante :
    - i. Prendre la somme liée aux programmes de français langue seconde pour les élèves du secondaire du conseil pour l'exercice, calculée en application de l'article 23 du règlement sur les subventions.
    - ii. Calculer la part de la somme liée aux programmes d'ESL/ESD du conseil qui vise ses élèves du secondaire de la manière suivante :
      - A. Calculer la part de la somme liée aux programmes d'ESL/ESD du conseil, calculée en application des alinéas 25 (1) a) à d) du règlement sur les subventions, si seulement les élèves du secondaire du conseil ont été comptés.
      - B. Prendre la somme fixée pour le conseil au tableau 1 du règlement sur les subventions en regard du nom du conseil.
      - C. Diviser la somme visée à la sous-sous-disposition B par l'effectif quotidien moyen de jour du conseil calculé en ne comptant que ses élèves.
      - D. Multiplier le résultat obtenu en application de la sous-sous-disposition C par l'effectif quotidien moyen de jour du conseil calculé en ne comptant que ses élèves du secondaire.
      - E. Additionner les sommes calculées en application des sous-sous-dispositions A et D.

- iii. Additionner la somme visée à la sous-disposition i et la somme calculée en application de la sous-disposition ii.
4. Dans le cas d'un conseil scolaire de district de langue française, calculer la part de l'élément enseignement des langues qui vise les élèves du secondaire de la manière suivante :
  - i. Multiplier 718,40 \$ par l'effectif quotidien moyen de jour, en ne comptant que les élèves du secondaire du conseil.
  - ii. Diviser 86 745,90 \$ par l'effectif quotidien moyen de jour du conseil.
  - iii. Multiplier le résultat obtenu en application de la sous-disposition ii par l'effectif quotidien moyen de jour du conseil, calculé en ne comptant que ses élèves du secondaire.
  - iv. Ajouter le produit obtenu en application de la sous-disposition iii au total des sommes calculées en application des dispositions 5 et 6 du paragraphe 28 (2) du règlement sur les subventions.
  - v. Calculer la part du niveau de financement des programmes de PDF du conseil pour l'exercice, calculé en application du paragraphe 28 (3) du règlement sur les subventions, qui vise les élèves du secondaire du conseil.
  - vi. Additionner les sommes calculées en application des sous-dispositions i, iv et v.
5. Calculer la part de l'élément écoles rurales et écoles éloignées qui vise les élèves du secondaire de la manière suivante :
  - i. Prendre la somme liée aux directeurs d'école secondaire calculée en application du paragraphe 29 (3) du règlement sur les subventions.
  - ii. Prendre le total des sommes calculées, en application de la disposition 2 du paragraphe 29 (3) du Règlement de l'Ontario 139/03 («Financement axé sur les besoins des écoles — subventions générales pour l'exercice 2003-2004 des conseils scolaires») pris en application de la Loi, à l'égard de chacune des écoles secondaires éloignées du conseil, au sens du paragraphe 29 (2.6) de ce règlement.
  - iii. Additionner les sommes éventuelles indiquées à la colonne 8 du tableau 3 du règlement sur les subventions en regard du nom de l'école secondaire à la colonne 4 et du nom du conseil à la colonne 1.
  - iv. Additionner les sommes éventuelles indiquées à la colonne 8 du tableau 4 du règlement sur les subventions en regard du nom de l'école secondaire à la colonne 4 et du nom du conseil à la colonne 1.
  - v. Prendre la somme calculée à l'égard du conseil en application de la disposition 17 du paragraphe 29 (4) du règlement sur les subventions.
  - vi. Soustraire la somme calculée en application de la sous-disposition iii du total des sommes calculées en application des sous-dispositions i, ii, iv et v.
6. Calculer la part de l'élément conseils ruraux et éloignés qui vise les élèves du secondaire de la manière suivante :
  - i. Diviser l'élément conseils ruraux et éloignés du conseil pour l'exercice, calculé en application de l'article 30 du règlement sur les subventions, par l'effectif quotidien moyen de jour du conseil calculé en ne comptant que ses élèves.
  - ii. Multiplier la somme calculée en application de la sous-disposition i par l'effectif quotidien moyen de jour du conseil calculé en ne comptant que ses élèves du secondaire.
7. Calculer la part de l'élément programmes d'aide à l'apprentissage qui vise les élèves du secondaire de la manière suivante :
  - i. Prendre le total de ce qui suit :
    - A. la somme obtenue pour le conseil en application de la disposition 1 du paragraphe 31 (1) du règlement sur les subventions,
    - B. la somme calculée pour le conseil en application de la disposition 4 du paragraphe 31 (4) du règlement sur les subventions,
    - C. 144 512 \$.
  - ii. Diviser la somme calculée en application de la sous-disposition i par l'effectif quotidien moyen de jour du conseil calculé en ne comptant que ses élèves.
  - iii. Multiplier la somme calculée en application de la sous-disposition ii par l'effectif quotidien moyen de jour du conseil calculé en ne comptant que ses élèves du secondaire.
  - iv. Prendre le total de ce qui suit :

- A. la somme calculée pour le conseil en application de la disposition 1 du paragraphe 31 (4) du règlement sur les subventions,
  - B. la somme calculée pour le conseil en application de la disposition 6 du paragraphe 31 (4) du règlement sur les subventions,
- v. Additionner les sommes calculées en application des sous-dispositions iii et iv.
8. Prendre la part de l'élément compétence et expérience des enseignants du secondaire du conseil pour l'exercice, calculé en application du paragraphe 33 (13) du règlement sur les subventions.
  9. Calculer la part de l'élément redressement des coûts pour le personnel non enseignant qui vise les élèves du secondaire de la manière suivante :
    - i. Diviser la somme indiquée à la colonne 2 du tableau 9 en regard du nom du conseil à la colonne 1 par l'effectif quotidien moyen de jour du conseil calculé en ne comptant que ses élèves.
    - ii. Multiplier la somme calculée en application de la sous-disposition i par l'effectif quotidien moyen de jour du conseil calculé en ne comptant que ses élèves du secondaire.
  10. Calculer la part de l'élément administration et gestion qui vise les élèves du secondaire de la manière suivante :
    - i. Diviser la part de l'élément administration et gestion du conseil pour l'exercice, calculé en application de l'article 35 du règlement sur les subventions, par l'effectif quotidien moyen de jour du conseil calculé en ne comptant que ses élèves.
    - ii. Multiplier la somme calculée en application de la sous-disposition i par l'effectif quotidien moyen de jour du conseil calculé en ne comptant que ses élèves du secondaire.
  11. Calculer la part de la portion fonctionnement des écoles de l'élément installations d'accueil pour les élèves qui vise les élèves du secondaire, en multipliant par le coût repère de fonctionnement de 62,84 \$ le mètre carré :
    - i. soit la superficie redressée des écoles secondaires requise pour le conseil calculée en application de l'article 36 du règlement sur les subventions, si un facteur relatif à la superficie supplémentaire des écoles secondaires est approuvé pour le conseil en application de cet article,
    - ii. soit la superficie des écoles secondaires requise pour le conseil calculée en application de l'article 36 du règlement sur les subventions, si aucun facteur relatif à la superficie supplémentaire des écoles secondaires n'est approuvé pour le conseil en application de cet article.
  12. Prendre le total des sommes calculées à l'égard du conseil en application des dispositions 28, 32 et 37 du paragraphe 36 (3) du règlement sur les subventions.
  13. Calculer la part de la somme liée au redressement pour baisse des effectifs du conseil qui vise les élèves du secondaire de la manière suivante :
    - i. Diviser la somme liée au redressement pour baisse des effectifs du conseil, le cas échéant, calculée en application de l'article 38 du règlement sur les subventions, par l'effectif quotidien moyen de jour du conseil calculé en ne comptant que ses élèves.
    - ii. Multiplier la somme calculée en application de la sous-disposition i par l'effectif quotidien moyen de jour du conseil calculé en ne comptant que ses élèves du secondaire.
  14. Additionner les sommes calculées pour le conseil en application des dispositions 1 à 13.
  15. Diviser la somme calculée en application de la disposition 14 par l'effectif quotidien moyen de jour du conseil calculé en ne comptant que ses élèves du secondaire.
- (5) Les droits de base relatifs à un élève inscrit à une école qui relève d'un conseil isolé sont calculés de la manière suivante :
1. Prendre les dépenses approuvées du conseil au sens du paragraphe 46 (1) du règlement sur les subventions.
  2. Déduire la part des dépenses approuvées visées à la disposition 1 qui se rapporte au transport des élèves.
  3. Déduire la part des dépenses approuvées visées à la disposition 1 qui se rapporte à la réfection des écoles.
  4. Diviser la somme obtenue en application de la disposition 3 par l'effectif quotidien moyen de jour du conseil calculé en ne comptant que ses élèves.
- (6) Les droits exigibles à l'égard de l'élève visé au paragraphe (1) qui est inscrit à un programme de langue autochtone dans une école qui relève d'un conseil scolaire de district et que celui-ci peut recevoir d'une entité visée à l'alinéa (1) a) ou b) peuvent être augmentés, au choix du conseil, d'une somme égale à la fraction de la somme liée aux programmes de langue autochtone qui serait versée pour l'élève s'il s'agissait d'un élève du conseil, calculée conformément à l'article 24 du règlement sur les subventions.

(7) Les droits exigibles à l'égard de l'élève visé au paragraphe (1) qui est inscrit à un programme à coût élevé peuvent être augmentés, au choix du conseil, pour correspondre à la somme calculée en multipliant les droits qui seraient par ailleurs payables :

- a) soit par le facteur dont conviennent le conseil qui dispense l'enseignement et la partie qui doit payer ces droits;
- b) soit par le facteur fixé de la manière visée au paragraphe (9), si le conseil et la partie ne peuvent en convenir d'aucun.

(8) Si le conseil qui dispense l'enseignement et la partie qui doit payer les droits ne peuvent s'entendre sur le facteur à utiliser, celui-ci est fixé par trois arbitres, nommés de la manière suivante :

1. Un arbitre est nommé par le conseil qui dispense l'enseignement.
2. Un arbitre est nommé par la partie qui doit payer les droits.
3. Un arbitre est nommé par les arbitres nommés en application des dispositions 1 et 2.

(9) La décision des arbitres ou de la majorité d'entre eux est définitive et lie le conseil qui dispense l'enseignement et la partie qui doit payer les droits.

(10) Le présent article ne s'applique pas à l'égard des élèves auxquels s'applique le paragraphe 49 (6) de la Loi.

#### **Droits imposés aux parties qui résident en Ontario**

**4.** (1) Le présent article s'applique à l'égard de l'élève visé au paragraphe 46 (2) de la Loi qui est inscrit à un programme scolaire de jour dans une école d'un conseil scolaire de district ou d'un conseil isolé et qui réside sur un bien-fonds où réside son père, sa mère ou son tuteur, qui est exonéré d'impôts aux fins d'un conseil quelconque et qui est situé dans une circonscription scolaire, une zone d'écoles séparées ou un district d'écoles secondaires.

(2) Les droits qu'un conseil impose à l'égard d'un élève visé au paragraphe (1) à son père, à sa mère ou à son tuteur sont de 40 \$ pour chaque mois ou fraction de mois où il est inscrit à une école du conseil.

(3) Le conseil qui impose à un père, à une mère ou à un tuteur des droits de 40 \$ pour un mois ou une fraction de mois en application du paragraphe (2) à l'égard de l'élève visé au paragraphe (1) qui est inscrit à une de ses écoles ne doit pas imposer de droits au père, à la mère ou au tuteur en application de ce paragraphe pour le même mois ou la même fraction de mois à l'égard d'un autre élève visé au paragraphe (1) qui est inscrit à une de ses écoles.

(4) Le présent article ne s'applique pas à l'égard de l'élève auquel s'applique le paragraphe 49 (6) de la Loi.

#### **Droits imposés aux parties qui ne résident pas en Ontario**

**5.** (1) Les droits exigibles à l'égard de l'élève qui est inscrit à un programme scolaire de jour dans une école d'un conseil scolaire de district ou d'un conseil isolé et dont le père, la mère ou le tuteur ne réside pas en Ontario correspondent à la somme que fixe le conseil et qui ne dépasse pas les droits maximaux calculés en application du paragraphe (2) ou (3).

(2) Sauf dans le cas prévu au paragraphe (3), les droits maximaux correspondent à la somme calculée de la manière suivante :

1. Additionner les droits de base calculés pour l'élève en application du paragraphe 3 (3), (4) ou (5), selon le cas, et les frais de pension de l'élève.
2. Multiplier la somme obtenue en application de la disposition 1 par 0,1.
3. Multiplier le résultat obtenu en application de la disposition 2 par le nombre de mois ou de fractions de mois où l'élève est inscrit à une école qui relève du conseil.

(3) Si l'élève est inscrit à un programme à coût élevé, les droits maximaux correspondent au total de la somme calculée en application du paragraphe (2) et de la somme supplémentaire que fixe le conseil et qui ne dépasse pas le coût supplémentaire assumé par le conseil pour dispenser le programme à cet élève.

(4) Le présent article ne s'applique pas à l'égard de l'élève auquel s'applique le paragraphe 49 (6) de la Loi.

#### **Droits versés aux conseils créés en vertu de l'art. 68**

**6.** (1) Les droits exigibles à l'égard de l'élève qui est inscrit à un programme scolaire de jour dans une école qui relève d'un conseil créé en vertu de l'article 68 et dont le père, la mère ou le tuteur ne réside pas en Ontario correspondent à la somme calculée de la manière suivante :

1. Prendre les dépenses du conseil pour l'exercice que le ministre juge acceptables aux fins des subventions, à l'exclusion de ce qui suit :
  - i. les dépenses liées au service de la dette,
  - ii. les dépenses liées à l'acquisition d'immobilisations, calculées en application du règlement sur les subventions,
  - iii. les dépenses liées à la restauration d'immobilisations qui ont été détruites ou qui sont endommagées, calculées en application du règlement sur les subventions,

- iv. les provisions pour réserves pour fonds de roulement et celles pour fonds de réserve.
  - 2. Déduire les recettes de l'exercice du conseil provenant de ce qui suit :
    - i. un organisme sur le bien duquel se trouve une école du conseil,
    - ii. les remboursements de dépenses du genre visé à la sous-disposition 1 i, ii ou iii.
  - 3. Calculer le nombre de jours-élève pour la période allant du 1<sup>er</sup> septembre 2005 au 31 août 2006 en additionnant, à l'égard de chaque journée d'enseignement de cette période, le nombre d'élèves inscrits aux écoles du conseil qui reçoivent un enseignement ce jour-là.
  - 4. Diviser la somme obtenue en application de la disposition 2 par le nombre total de jours-élève calculé en application de la disposition 3.
  - 5. Multiplier le résultat obtenu en application de la disposition 4 par le nombre de journées d'enseignement pour lesquelles l'élève est inscrit à une école du conseil pendant la même période.
- (2) Le présent article ne s'applique pas à l'égard de l'élève auquel s'applique le paragraphe 49 (6) de la Loi.

**Droits exigibles : élèves auxquels s'applique le par. 49 (6) de la Loi**

7. (1) Les droits exigibles à l'égard de l'élève qui est inscrit à un programme scolaire de jour et auquel s'applique le paragraphe 49 (6) de la Loi correspondent à la somme calculée conformément à la politique relative aux droits que le conseil dont relève l'école à laquelle est inscrit l'élève élabore pour l'application du présent article.

(2) La politique du conseil relative aux droits ne doit pas autoriser l'imposition, à l'égard d'un élève de l'élémentaire, de droits qui sont inférieurs à la somme qui serait calculée conformément au paragraphe 3 (2) du présent règlement à l'égard d'un tel élève, si ce paragraphe s'était appliqué à l'élève et que le paragraphe 49 (6) de la Loi ne s'était pas appliqué à lui.

(3) La politique du conseil relative aux droits ne doit pas autoriser l'imposition, à l'égard d'un élève du secondaire, de droits qui sont inférieurs à la somme qui serait calculée conformément au paragraphe 3 (2) du présent règlement à l'égard d'un tel élève, si ce paragraphe s'était appliqué à l'élève et que le paragraphe 49 (6) de la Loi ne s'était pas appliqué à lui.

**Droits exigibles : cours d'été et cours d'éducation permanente**

8. (1) Les droits exigibles à l'égard de l'élève auquel s'applique le paragraphe 49 (6) de la Loi et qui est inscrit à un cours d'été ou à une classe ou un cours d'éducation permanente offert par un conseil scolaire de district ou un conseil isolé correspondent à la somme calculée par le conseil.

(2) Les droits visés au paragraphe (1) exigibles à l'égard d'un élève qui est inscrit à une classe ou un cours d'éducation permanente offert par le conseil ne doivent pas être inférieurs aux droits calculés en appliquant les dispositions 1 à 3 du paragraphe (4).

(3) Les droits visés au paragraphe (1) exigibles à l'égard d'un élève qui est inscrit à un cours d'été offert par le conseil ne doivent pas être inférieurs aux droits calculés en appliquant les dispositions 1 à 3 du paragraphe (5).

(4) Les droits exigibles à l'égard de l'élève visé au paragraphe 3 (1) ou 5 (1) qui est inscrit à une classe ou un cours d'éducation permanente offert par un conseil scolaire de district ou un conseil isolé correspondent à la somme convenue par le conseil et la partie qui doit payer les droits ou, en l'absence d'entente, à la somme calculée de la manière suivante :

- 1. Calculer les dépenses que le conseil a engagées au cours de l'exercice au titre des classes ou des cours d'éducation permanente.
- 2. Diviser la somme calculée en application de la disposition 1 par l'effectif quotidien moyen des cours d'éducation permanente du conseil.
- 3. Multiplier le résultat obtenu en application de la disposition 2 par l'effectif quotidien moyen des cours d'éducation permanente du conseil, en ne comptant que les élèves visés au présent paragraphe.

(5) Les droits exigibles à l'égard de l'élève visé au paragraphe 3 (1) ou 5 (1) qui est inscrit à une classe ou un cours d'été offert par un conseil scolaire de district ou un conseil isolé correspondent à la somme convenue par le conseil et la partie qui doit payer les droits ou, en l'absence d'entente, à la somme calculée de la manière suivante :

- 1. Calculer les dépenses que le conseil a engagées au cours de l'exercice au titre des classes ou des cours d'été.
- 2. Diviser la somme calculée en application de la disposition 1 par l'effectif quotidien moyen des cours d'été du conseil.
- 3. Multiplier le résultat obtenu en application de la disposition 2 par l'effectif quotidien moyen des cours d'été du conseil, en ne comptant que les élèves visés au présent paragraphe.

**Interdiction des paiements de droits de conseil à conseil**

9. Aucun conseil n'est tenu de payer des droits à un autre conseil en application du présent règlement.



Made by:  
Pris par :

*Le ministre de l'Éducation,*

GERARD KENNEDY  
*Minister of Education*

Date made: June 22, 2005.  
Pris le : 22 juin 2005.

29/05

## ONTARIO REGULATION 400/05

made under the

### EDUCATION ACT

Made: June 22, 2005

Filed: June 27, 2005

## GRANTS FOR STUDENT NEEDS — LEGISLATIVE GRANTS FOR THE 2005-2006 SCHOOL BOARD FISCAL YEAR

### CONTENTS

#### PART I GENERAL

1. Application and interpretation
2. Pupil of a board
3. Enrolment
4. Level of accuracy
5. Legislative grants
6. Payments
7. Conditions for grant
8. Adjusting overpayment
9. Adjusting underpayment

#### PART II GRANTS TO DISTRICT SCHOOL BOARDS

10. Grant allocations
11. Amount of grant
12. 2005-2006 tax revenue
13. Foundation allocation
14. Primary class size allocation
15. Special education allocation
16. Enrolment-based special education amount
17. Special equipment
18. High needs amount
19. Special incidence
20. Facilities amount
21. Special education pupil, move to new board

22.	Language allocation, English-language boards
23.	French as a second language amount
24.	Native language amount
25.	ESL/ESD amount
26.	Language allocation, French-language boards
27.	French as a first language amount
28.	ALF/PDF amount
29.	Distant schools and rural schools allocation
30.	Remote and rural allocation
31.	Learning opportunities allocation
32.	Continuing education and other programs allocation
33.	Cost adjustment and teacher qualification and experience allocation
34.	Transportation allocation
35.	Administration and governance allocation
36.	Pupil accommodation allocation
37.	Debt charges allocation
38.	Adjustment for declining enrolment
39.	Compliance
40.	Enveloping, classroom expenditures
41.	Required spending, special education
42.	Amounts spent by district school board in respect of distant schools and rural schools
43.	Required spending, capital assets
44.	Maximum administration and governance expenditures
45.	Flexibility fund

**PART III  
GRANTS TO SCHOOL AUTHORITIES**

46.	Grants to isolate boards
47.	Grants to s. 68 boards

**PART IV  
PAYMENTS TO GOVERNING AUTHORITIES**

48.	Definitions
49.	Pupil attending school in Manitoba or Quebec
50.	Pupil attending school on reserve
51.	Amounts payable to board, attendance at school for Indian children
Table/Tableau 1	ESL/ESD grant/Subvention ESL/ESD
Table/Tableau 2	Assimilation factors for ALF funding/Facteurs d'assimilation pour le financement des programmes d'ALF
Table/Tableau 3	Closed distant schools/Écoles éloignées fermées
Table/Tableau 4	New distant schools/Nouvelles écoles éloignées
Table/Tableau 5	Distant schools adjustment/Redressement pour écoles éloignées
Table/Tableau 6	Remote and rural allocation/Élément conseils ruraux et éloignés
Table/Tableau 7	Learning opportunities/Programmes d'aide à l'apprentissage
Table/Tableau 8	Teacher qualification and experience/Compétence et expérience des enseignants
Table/Tableau 9	Cost adjustment amount for non-teachers/Somme liée au redressement des coûts pour le personnel non enseignant
Table/Tableau 10	Amount for renewal software licensing fees/Somme liée au renouvellement des permis d'utilisation de logiciels
Table/Tableau 11	Community use of schools compensation amount/Allocation d'utilisation communautaire des écoles
Table/Tableau 12	Percentage of total area of elementary and secondary schools less than 20 years old or 20 years or older/Pourcentage de la superficie totale des écoles élémentaires et secondaires qui datent de moins de 20 ans ou de 20 ans ou plus
Table/Tableau 13	School renewal enhancement amount/Augmentation au titre de la réfection des écoles
Table/Tableau 14	Geographic adjustment factors/Facteurs de redressement géographique
Table/Tableau 15	Good places to learn – stage 1 allocations/Lieux propices à l'apprentissage – première phase d'allocations
Table/Tableau 16	Outstanding capital commitments/Engagements d'immobilisations non réalisés
Table/Tableau 17	Capital related debt eligible for funding support by district school board/Dette liée aux immobilisations admissible à un soutien financier, par conseil scolaire de district
Table/Tableau 18	Per pupil exclusion for declining enrolment adjustment/Montant par élève à exclure du redressement pour baisse des effectifs
Table/Tableau 19	Classroom expenditure percentages/Pourcentages des dépenses liées aux classes
Table/Tableau 20	Rural schools/Écoles rurales

**PART I  
GENERAL**

**Application and interpretation**

1. (1) This Regulation applies to boards for the 2005-2006 fiscal year and to governing authorities in respect of payments for the period from September 1, 2005 to August 31, 2006.

(2) In this Regulation,

“2003-2004 grant regulation” means Ontario Regulation 139/03 (Student Focused Funding — Legislative Grants for the 2003-2004 School Board Fiscal Year) made under the Act; (“règlement sur les subventions de 2003-2004”)

“2004-2005 grant regulation” means Ontario Regulation 145/04 (Grants for Student Needs — Legislative Grants for the 2004-2005 School Board Fiscal Year) made under the Act; (“règlement sur les subventions de 2004-2005”)

“2005-2006 A.D.E. regulation” means Ontario Regulation 398/05; (“règlement sur l’effectif quotidien moyen de 2005-2006”)

“2005-2006 fees regulation” means Ontario Regulation 399/05; (“règlement sur les droits de 2005-2006”)

“2005-2006 fiscal year” means the fiscal year from September 1, 2005 to August 31, 2006; (“exercice 2005-2006”)

“ALF” stands for actualisation linguistique en français; (“ALF”)

“capital asset” means,

- (a) a school site that provides or is capable of providing pupil accommodation and an addition or improvement to such a school site,
- (b) a school building, fixture of a school building or fixture of school property, and an addition, alteration, renovation or major repair to a school building, fixture of a school building or fixture of school property,
- (c) furniture and equipment to be used in school buildings,
- (d) library materials for the initial equipping of a library in a school building,
- (e) an installation on school property to supply a school building on the property with water, sewer, septic, electrical, heating, cooling, natural gas, telephone or cable services, and an alteration, replacement or major repair to the installation, and
- (f) changes to the level, drainage or surface of school properties; (“immobilisation”)

“cycle” has the same meaning as in the 2005-2006 A.D.E. regulation; (“horaire”)

“elementary school pupil” means a pupil who is enrolled in any of junior kindergarten, kindergarten and grades 1 to 8; (“élève de l’élémentaire”)

“ESD” stands for English skills development; (“ESD”)

“ESL” stands for English as a second language; (“ESL”)

“full-time pupil” has the same meaning as in the 2005-2006 A.D.E. regulation; (“élève à temps plein”)

“half-time pupil” has the same meaning as in the 2005-2006 A.D.E. regulation; (“élève à mi-temps”)

“independent study course” has the same meaning as in the 2005-2006 A.D.E. regulation; (“cours d’études personnelles”)

“ISA” stands for intensive support amount; (“AAS”)

“isolate board” is a school authority other than a section 68 board; (“conseil isolé”)

“part-time pupil” has the same meaning as in the 2005-2006 A.D.E. regulation; (“élève à temps partiel”)

“PDF” stands for perfectionnement du français; (“PDF”)

“revenue from other sources” means, with respect to a district school board, the revenue of the board other than,

- (a) the amount of grants payable to the board under this Regulation,
- (b) the amount that would be the board’s 2005-2006 tax revenue amount if no amount were required to be deducted under paragraph 3 or 4 of subsection 12 (1), and
- (c) any amount transferred from reserve funds; (“recettes provenant d’autres sources”)

“rural elementary school” means, with respect to a board, an elementary school listed in Column 3 of Table 20 opposite the name of the board in Column 1 of that Table that has a 2005-2006 enrolment, within the meaning of subsection 36 (45), that is greater than zero; (“école élémentaire rurale”)

“rural secondary school” means, with respect to a board, a secondary school listed in Column 4 of Table 20 opposite the name of the board in Column 1 of that Table that has a 2005-2006 enrolment, within the meaning of subsection 36 (45), that is greater than zero; (“école secondaire rurale”)

“secondary school pupil” means a pupil who is enrolled in any of grades 9 to 12; (“élève du secondaire”)

“section 68 board” is a board established under section 68 of the Act. (“conseil créé en vertu de l’article 68”)

(3) The publication entitled “Special Education Funding Guidelines: Intensive Support Amount (ISA) Level 1 and Special Incidence ISA — 2004-05”, dated June, 2004, that is referred to in clauses 17 (1) (a), 19 (1) (a) and 47 (2) (a), is available for public inspection at the offices of the Education Finance Branch of the Ministry of Education, Mowat Block, 900 Bay Street, 21st Floor, Toronto, Ontario, M7A 1L2 and is available on the Ministry’s website at [www.edu.gov.on.ca](http://www.edu.gov.on.ca).

#### **Pupil of a board**

2. (1) Subject to subsections (2) and (3), for the purposes of this Regulation, a pupil is a pupil of a board if he or she is enrolled in a school operated by the board.

(2) A pupil who receives instruction in an education program provided by a board that is a qualifying education program within the meaning of subsection 20 (2) is not a pupil enrolled in a school operated by the board for the purposes of subsection (1).

(3) For the purposes of this Regulation, the following are not pupils of a board even if they are enrolled in a school of the board:

1. A pupil who is a registered Indian residing on a reserve within the meaning of the *Indian Act* (Canada).
2. A pupil who is liable to pay fees as specified in subsection 49 (6) of the Act.
3. A pupil in respect of whom the board may charge a fee under section 5 of the 2005-2006 fees regulation.

#### **Enrolment**

3. (1) For the purposes of this Regulation, the 2005-2006 day school average daily enrolment of pupils of a board is the day school average daily enrolment for the board determined under section 2 of the 2005-2006 A.D.E. regulation, counting all pupils of the board other than secondary school pupils who are 21 years of age or older on December 31, 2005.

(2) For the purposes of this Regulation, the 2005-2006 day school average daily enrolment of elementary school pupils of a board is the day school average daily enrolment for the board determined under section 2 of the 2005-2006 A.D.E. regulation, counting only the elementary school pupils of the board.

(3) For the purposes of this Regulation, the 2005-2006 day school average daily enrolment of secondary school pupils of a board is the day school average daily enrolment for the board determined under section 2 of the 2005-2006 A.D.E. regulation, counting only secondary school pupils of the board who are under 21 years of age on December 31, 2005.

(4) For the purposes of this Regulation, the day school full-time equivalent enrolment for a board as of October 31, 2005 is determined using the formula,

$$A + B + C/D$$

in which,

“A” is the number of full-time pupils of the board enrolled on October 31, 2005, excluding secondary school pupils who are at least 21 years of age on December 31, 2005,

“B” is the amount equal to 0.5 times the number of half-time pupils of the board enrolled on October 31, 2005,

“C” is the total of all amounts each of which is an amount determined for a part-time pupil of the board enrolled on October 31, 2005, other than a secondary school pupil who is at least 21 years of age on December 31, 2005, equal to the number of minutes for which the pupil is registered for classroom instruction in the cycle that includes October 31, 2005, in a course other than an independent study course, and

“D” is the amount determined by multiplying the number of days in the cycle described in the definition of “C” by 300.

(5) If this Regulation requires that pupils be counted but does not provide that the count be on the basis of average daily enrolment or on the basis of full-time equivalent enrolment, each pupil, whether full-time, half-time or part-time, must be counted as one.

#### **Level of accuracy**

4. (1) A count of pupils for the purposes of this Regulation on the basis of average daily enrolment or on the basis of full-time equivalent enrolment must be accurate to two decimal places.

(2) A count of teachers or teacher assistants for the purposes of this Regulation on the basis of full-time equivalence must be accurate to one decimal place.

#### **Legislative grants**

5. (1) The legislative grant payable for the fiscal year to a district school board is the amount calculated under Part II.

(2) The legislative grant payable for the fiscal year to an isolate board is the amount calculated under section 46.

(3) The legislative grant payable for the fiscal year to a section 68 board is the amount calculated under section 47.

**Payments**

6. A legislative grant payable under this Regulation is paid on an estimated basis during the fiscal year and such adjustments as may be necessary must be made after the actual financial, enrolment and other data are available.

**Conditions for grant**

7. (1) It is a condition of the payment of a grant to a board under this Regulation that the board comply with all Acts administered by the Minister and with all regulations, policies, guidelines, directives and similar instruments made under an Act administered by the Minister.

(2) If a board contravenes an Act administered by the Minister or a regulation, policy, guideline, directive or similar instrument made under an Act administered by the Minister, the Minister may withhold all or part of a grant otherwise payable to the board under the Act.

**Adjusting overpayment**

8. If the amount payable to a board under a legislative grant regulation was overpaid and the overpayment has not been deducted from grants payable to the board under other legislative grant regulations, the overpayment must be deducted from the grants payable under this Regulation to the board.

**Adjusting underpayment**

9. If the amount payable to a board under a legislative grant regulation was underpaid, the amount of the underpayment that has not previously been paid must be added to the grants payable under this Regulation to the board.

## PART II GRANTS TO DISTRICT SCHOOL BOARDS

**Grant allocations**

10. A district school board is entitled to the following grant allocations, in the amounts determined under this Part, in determining the amount of the grant payable to it for the fiscal year:

1. Foundation allocation.
2. Primary class size allocation.
3. Special education allocation.
4. Language allocation.
5. Distant schools and rural schools allocation.
6. Remote and rural allocation.
7. Learning opportunities allocation.
8. Continuing education and other programs allocation.
9. Cost adjustment and teacher qualification and experience allocation.
10. Transportation allocation.
11. Administration and governance allocation.
12. Pupil accommodation allocation.
13. Debt charges allocation.

**Amount of grant**

11. The grant payable to a district school board for the fiscal year is the amount determined using the following formula:

$$(A + B) - (C + D + E)$$

in which,

“A” is the total amount of the grant allocations to which the board is entitled for the fiscal year,

“B” is the amount of the board’s adjustment for declining enrolment for the fiscal year,

“C” is the amount of the board’s 2005-2006 tax revenue, as determined in this Regulation,

“D” is the amount of the board’s total fees revenue for the fiscal year in respect of pupils described in subsection 46 (2) of the Act, as determined under section 4 of the 2005-2006 fees regulation, and

“E” is the amount of the board’s reserve fund under subsection 233 (1) of the Act on August 31, 2006 before the transfer under subsection 233 (2) of the Act.

**2005-2006 tax revenue**

**12.** (1) The 2005-2006 tax revenue of a district school board is determined as follows:

1. Add,

i. 38 per cent of the sum of,

- A. the total of the amounts distributed to the board in respect of the 2005 calendar year under subsections 237 (12) and 238 (2), section 239, subsection 240 (5), sections 250 and 251 and subsections 257.8 (2) and 257.9 (1) of the *Education Act*, under sections 447.20 and 447.52 of the *Municipal Act* as made applicable by section 474 of the *Municipal Act, 2001*, under subsections 364 (22) and 365.2 (16) of the *Municipal Act, 2001*, under section 10 of Ontario Regulation 509/98 (Tax Matters — Relief in Unorganized Territory (Section 257.2.1 of the Act) made under the Act and under subsection 13 (2) of Ontario Regulation 3/02 (Tax Relief in Unorganized Territory for 2001 and Subsequent Years) made under the Act,
- B. the amounts, if any, referred to in subsection 364 (22) of the *Municipal Act, 2001*, as made applicable by section 257.12.3 of the *Education Act*, that are paid to the board in respect of the 2005 calendar year,
- C. the total of all amounts, if any, received by the board in respect of the 2005 calendar year from a municipality under subsection 353 (4) or 366 (3) of the *Municipal Act, 2001*,
- D. the amounts, if any, applied by the board against the cancellation price of land sold for tax arrears in the 2005 calendar year under section 380 of the *Municipal Act, 2001*, as made applicable by subsection 371 (2) of that Act,
- E. the payments in lieu of taxes distributed to the board in respect of the 2005 calendar year under subsection 322 (1) of the *Municipal Act, 2001*,
- F. the grants, if any, made to the board in respect of the 2005 calendar year under subsection 302 (2) of the *Municipal Act, 2001*,
- G. the amounts, if any, received by the board in respect of the 2005 calendar year under the *Payments in Lieu of Taxes Act* (Canada) or under any Act of Canada that permits a payment to be made by a government or a government agency in lieu of taxes on real property, and
- H. the amounts, if any, paid to the board in respect of the 2005 calendar year under subsection 9 (2) or (4) of the *Tax Incentive Zones Act (Pilot Projects), 2002*, and

ii. 62 per cent of the sum of,

- A. the total of the amounts distributed to the board in respect of the 2006 calendar year under subsections 237 (12) and 238 (2), section 239, subsection 240 (5), sections 250 and 251 and subsections 257.8 (2) and 257.9 (1) of the *Education Act*, under sections 447.20 and 447.52 of the *Municipal Act* as made applicable by section 474 of the *Municipal Act, 2001*, under subsections 364 (22) and 365.2 (16) of the *Municipal Act, 2001*, under section 10 of Ontario Regulation 509/98 (Tax Matters — Relief in Unorganized Territory (Section 257.2.1 of the Act) made under the Act and under subsection 13 (2) of Ontario Regulation 3/02 (Tax Relief in Unorganized Territory for 2001 and Subsequent Years) made under the Act,
- B. the amounts, if any, referred to in subsection 364 (22) of the *Municipal Act, 2001*, as made applicable by section 257.12.3 of the *Education Act*, that are paid to the board in respect of the 2006 calendar year,
- C. the total of all amounts, if any, paid to the board in respect of the 2006 calendar year by a municipality under subsection 353 (4) or 366 (3) of the *Municipal Act, 2001*,
- D. the amounts, if any, applied by the board against the cancellation price of land sold for tax arrears in the 2006 calendar year under section 380 of the *Municipal Act, 2001*, as made applicable by subsection 371 (2) of that Act,
- E. the payments in lieu of taxes distributed to the board in respect of the 2006 calendar year under subsection 322 (1) of the *Municipal Act, 2001*,
- F. the grants, if any, made to the board in respect of the 2006 calendar year under subsection 302 (2) of the *Municipal Act, 2001*,
- G. the amounts, if any, received by the board in respect of the 2006 calendar year under the *Payments in Lieu of Taxes Act* (Canada) or under any Act of Canada that permits a payment to be made by a government or a government agency in lieu of taxes on real property, and
- H. the amounts, if any, paid to the board in respect of the 2006 calendar year under subsection 9 (2) or (4) of the *Tax Incentive Zones Act (Pilot Projects), 2002*,

iii. the total of the taxes received by the board in respect of the 2005 calendar year under section 35 of the *Assessment Act*,

- iv. the total of the amounts, if any, distributed to the board in the fiscal year under subsection 2 (2) of Ontario Regulation 365/98 (Pre-1998 School Tax Arrears) made under the Act, and
  - v. the total of the amounts, if any, paid to the board in the fiscal year under clause 3 (1) (a) of Ontario Regulation 366/98 (Tax Arrears in Annexed Areas) made under the Act.
2. Calculate the difference between the following amounts and deduct that difference if the amount described in subparagraph i is less than the amount described in subparagraph ii or add that difference if the amount described in subparagraph i is more than the amount described in subparagraph ii:
    - i. The amount that was determined under subparagraph 1 ii of subsection 12 (1) of the 2004-2005 grant regulation for the purposes of calculating the amount payable to the board as legislative grant in respect of the 2004-2005 school board fiscal year.
    - ii. The amount that would have been determined under subparagraph 1 ii of subsection 12 (1) of the 2004-2005 grant regulation if that amount had been determined on the basis of the board's annual financial statements as reported to the Ministry for the 2004-2005 school board fiscal year.
  3. If the board is required to levy taxes for school purposes in respect of property in territory without municipal organization, deduct the sum of,
    - i. \$50,000,
    - ii. 0.76 per cent of the total of the amount of those taxes levied for school purposes for the 2005 calendar year and the amount of the tax imposed by section 21.1 of the *Provincial Land Tax Act* that is levied by the board for that year, and
    - iii. 1.24 per cent of the total of the taxes described in subparagraph ii that are levied by the board for the 2006 calendar year.
  4. Deduct the costs for which the board is responsible under the *Municipal Elections Act, 1996* that are incurred in the fiscal year to conduct elections of members in territory without municipal organization that is deemed to be a district municipality for the purposes of clause 257.12 (3) (a) of the *Education Act*.
  5. Deduct the amounts charged to the board in the 2005 calendar year by a municipal council under section 353 of the *Municipal Act, 2001*, including amounts charged under that section as a result of private legislation.
  6. Deduct the total of the amounts rebated, paid or credited by the board under sections 257.2.1 and 257.12.3 of the Act in the fiscal year.
  7. Deduct 38 per cent of the total of the amounts, if any, paid by the board in respect of the 2005 calendar year under subsections 361 (7), 364 (11), 365 (3), 365.1 (13) to (15) and (17) to (19) and 365.2 (8) of the *Municipal Act, 2001*.
  8. Deduct 62 per cent of the total of the amounts, if any, paid by the board in respect of the 2006 calendar year under subsections 361 (7), 364 (11), 365 (3), 365.1 (13) to (15) and (17) to (19) and 365.2 (8) of the *Municipal Act, 2001*.
- (2) For the purposes of determining the amount of a district school board's 2005-2006 tax revenue, the following rules apply:
1. All amounts, if any, paid by the Minister to the board in respect of the 2005 calendar year under section 257.10.1 or 257.11 of the Act are deemed to be amounts distributed to the board in respect of the 2005 calendar year under a provision of the Act referred to in sub-subparagraph 1 i A of subsection (1).
  2. All amounts, if any, paid by the Minister to the board in respect of the 2006 calendar year under section 257.10.1 or 257.11 of the Act are deemed to be amounts distributed to the board in respect of the 2006 calendar year under a provision of the Act referred to in sub-subparagraph 1 ii A of subsection (1).

#### Foundation allocation

13. (1) The amount of the foundation allocation for a district school board for the fiscal year is the sum of the board's base amount for the fiscal year and the board's local priorities amount for the year.
- (2) The board's base amount for the fiscal year is the total of the following amounts:
  1. The amount determined by multiplying the 2005-2006 day school average daily enrolment of elementary school pupils of the board by \$3,866.
  2. The amount determined by multiplying the 2005-2006 day school average daily enrolment of secondary school pupils of the board by \$4,921.
- (3) The board's local priorities amount is the amount determined by multiplying the 2005-2006 day school average daily enrolment of pupils of the board by \$200.

**Primary class size allocation**

14. The amount of the primary class size allocation for a district school board for the fiscal year is the amount determined by multiplying \$340 by the 2005-2006 day school average daily enrolment of elementary school pupils of the board, counting only pupils enrolled in junior kindergarten, kindergarten and grades 1 to 3.

**Special education allocation**

15. The amount of the special education allocation for a district school board for the fiscal year is the total of the following amounts:

1. The enrolment-based special education amount for the board for the fiscal year as determined under section 16.
2. The special equipment claim for the board for the fiscal year as determined under subsection 17 (2).
3. The high needs amount for the board for the fiscal year as determined under section 18.
4. The special incidence claim for the board for the fiscal year as determined under subsection 19 (2).
5. The facilities amount for the board for the fiscal year as determined under section 20.

**Enrolment-based special education amount**

16. The enrolment-based special education amount for a board for the fiscal year is determined as follows:

1. Multiply the 2005-2006 day school average daily enrolment of elementary school pupils of the board, counting only pupils enrolled in junior kindergarten, kindergarten and grades 1 to 3, by \$608 to determine the enrolment-based special education amount for junior kindergarten to grade 3.
2. Multiply the 2005-2006 day school average daily enrolment of elementary school pupils of the board, counting only pupils enrolled in grades 4 to 8, by \$459 to determine the enrolment-based special education amount for grades 4 to 8.
3. Multiply the 2005-2006 day school average daily enrolment of secondary school pupils of the board by \$296 to determine the enrolment-based special education amount for secondary schools.
4. Total the amounts determined under paragraphs 1, 2 and 3 to determine the board's enrolment-based special education amount for the fiscal year.

**Special equipment**

17. (1) For the purposes of subsection (2), a special equipment claim for a pupil of a district school board is an approved claim if,

- (a) the pupil meets the eligibility criteria for special equipment set out in "Special Education Funding Guidelines: Intensive Support Amount (ISA) Level 1 and Special Incidence ISA — 2004-05", dated June, 2004; and
- (b) the board has made a claim for the fiscal year for expenditures in excess of \$800 for special equipment for the pupil, in accordance with the publication mentioned in clause (a), and the Minister has approved the claim.

(2) The special equipment claim for a board for the fiscal year is the sum of all approved special equipment claims for pupils of the board, after any adjustment required under section 21.

**High needs amount**

18. The high needs amount for a board is determined as follows:

1. Take the sum of the amounts determined in respect of the board under subsections 17 (2) and 18 (2) of the 2003-2004 grant regulation.
2. Subtract the greater of the following amounts:
  - i. The amount determined using the following formula:

$$A - (0.02 \times B)$$

in which,

"A" is the amount that was in the board's special education reserve fund on August 31, 2005, and

"B" is the amount determined under paragraph 1.

ii. Zero.

3. Add the amount determined as follows:

- i. Take the number of pupils who were enrolled in a school operated by the board on October 31, 2005, who were not enrolled in a school operated by the board on October 31, 2003 and who, in the opinion of the Minister, meet one of the following criteria:



- A. The pupil was enrolled in a class in which there was no less than one adult assigned for every four students where the adult was employed in special education programs and was a teacher, teaching assistant, professional or paraprofessional within the meaning of Appendix H of the 2004-05 School Board Estimates, dated May 26, 2004.
- B. The full-time equivalent of at least one teaching assistant, professional or paraprofessional within the meaning of Appendix H of the 2004-05 School Board Estimates, dated May 26, 2004, was assigned to the pupil for, on average, no less than one-half of each instructional day in the 2005-2006 school year.
- ii. Subtract the number of pupils who meet both of the following criteria:
  - A. The pupil is a pupil in respect of whom an ISA level 2 claim or an ISA level 3 claim was approved within the meaning of subsections 17 (1) and 18 (1), respectively, of the 2003-2004 grant regulation.
  - B. The pupil is not enrolled in a school of the board on October 31, 2005.
- iii. Multiply the number determined under subparagraph ii by \$17,000.
- iv. Calculate the sum of the amounts determined under subparagraph iii for all boards.
- v. If the amount determined under subparagraph iv is equal to or less than \$40 million, take the amount determined under subparagraph iii. If the amount determined under subparagraph iv is greater than \$40 million, take the amount determined by,
  - A. multiplying the amount determined under subparagraph iii by \$40 million, and
  - B. dividing the amount determined under sub-subparagraph A by the amount determined under subparagraph iv.

**Special incidence**

- 19. (1) A special incidence claim for a pupil of a board is an approved special incidence claim for the pupil if,
  - (a) the board has designated the pupil as a pupil requiring special incidence funding in accordance with the Ministry publication entitled "Special Education Funding Guidelines: Intensive Support Amount (ISA) Level 1 and Special Incidence ISA — 2004-05", dated June, 2004, and the Minister has approved the designation; and
  - (b) the board has made a special incidence claim for the pupil for the fiscal year in an amount not exceeding \$27,000, in accordance with the publication mentioned in clause (a), and the Minister has approved the claim.
- (2) The special incidence claim for a board for the fiscal year is the sum of all approved special incidence claims for pupils of the board, after any adjustment required under section 21.

**Facilities amount**

- 20. (1) The facilities amount for a board for the fiscal year is determined as follows:
  - 1. For each qualifying education program provided by the board under an agreement with a facility listed in subsection (4), determine the amount for the qualifying education program in accordance with subsection (5).
  - 2. Total the amounts determined under paragraph 1.
- (2) An education program provided by the board under an agreement with a facility listed in subsection (4) is a qualifying education program for the purposes of this section if the following conditions are satisfied:
  - 1. The education program is provided by a teacher employed by the board.
  - 2. No education program is provided by the Province in the facility.
  - 3. The board has entered into a written agreement with the facility and the Minister has approved it on the basis that it satisfies the requirements set out in subsection (3).
- (3) The requirements for the written agreement referred to in paragraph 3 of subsection (2) are as follows:
  - 1. The agreement includes a staffing plan that sets out the number of teachers and teacher assistants to be employed by the board for the purposes of the program.
  - 2. The agreement adequately sets out the responsibilities of the board and the facility.
  - 3. The agreement sets out the number of pupil places in the program.
- (4) The following are facilities for the purposes of this section:
  - 1. A psychiatric facility.
  - 2. An approved charitable institution as defined in the *Charitable Institutions Act*.
  - 3. An agency approved under subsection 8 (1) of the *Child and Family Services Act*.

4. A facility designated under the *Developmental Services Act*.
  5. A place of temporary detention, open custody or secure custody continued or established under section 89 of the *Child and Family Services Act*.
  6. A home for special care licensed under the *Homes for Special Care Act*.
  7. A hospital approved by the Minister.
  8. A nursing home operated under a licence issued under the *Nursing Homes Act*.
  9. A correctional institution as defined in the *Ministry of Correctional Services Act*.
  10. A place of temporary detention and a youth custody facility under the *Youth Criminal Justice Act* (Canada).
- (5) Subject to subsections (6) and (7), the amount for a qualifying education program is determined as follows:
1. Take the lesser of,
    - i. the expenditure of the board in the fiscal year for salary and employee benefits of teachers employed by the board to provide the program, and
    - ii. the amount that could be expended by the board in the fiscal year for salary and employee benefits of teachers employed by the board to provide the program under the staffing plan referred to in paragraph 1 of subsection (3).
  2. Multiply the number of full-time equivalent teachers employed by the board to provide the program by \$2,601. For the purposes of this paragraph, the counting practices usually followed by the board for staffing purposes are to be followed.
  3. Take the lesser of,
    - i. the expenditure of the board in the fiscal year for salary and employee benefits of teacher assistants employed by the board to assist teachers in providing the program, and
    - ii. the amount that could be expended by the board in the fiscal year for salary and employee benefits of teacher assistants employed by the board under the staffing plan referred to in paragraph 1 of subsection (3).
  4. Multiply the number of full-time equivalent teacher assistants employed by the board to assist teachers in providing the program by \$1,270. For the purposes of this paragraph, the counting practices usually followed by the board for staffing purposes are to be followed.
  5. Determine the expenditure of the board in the fiscal year for the purchase of furniture or equipment for any classroom used in the program. The amount determined for a classroom under this paragraph, added to the total of all amounts received for the classroom under similar provisions of previous legislative grant regulations, shall not exceed \$3,437 unless the board obtains the Minister's approval.
  6. Total the amounts determined under paragraphs 1 to 5.

(6) Despite subsection (5), if the predecessor to a qualifying education program provided by the board was an education program provided by the Ministry in the facility, the amount otherwise determined under this section for a qualifying education program may be increased by an amount determined by the Minister to be appropriate having regard to reasonable costs of the board in connection with program expenditures that were previously made by the Ministry and are not mentioned in subsection (5).

(7) Despite subsections (5) and (6), the amount otherwise determined under this section for a qualifying education program must be reduced by the amount determined by the Minister to be appropriate having regard to the reasonable costs of the board in connection with the program, if the program,

- (a) operates on a smaller scale than was projected in the materials submitted by the board for consideration by the Minister for the purposes of paragraph 3 of subsection (2);
- (b) does not operate during the 2005-2006 school year; or
- (c) ceases to operate during the 2005-2006 school year.

**Special education pupil, move to new board**

**21.** (1) Subsection (2) applies if,

- (a) special equipment has been purchased in respect of a pupil through a special equipment claim approved for a district school board for the fiscal year or an ISA level 1 claim approved for a district school board under section 17 of the 2004-2005 grant regulation or a predecessor of that section in the grant regulation for a prior fiscal year and the pupil enrolls during the fiscal year in a school that is operated by a different district school board or by a section 68 board; or
- (b) a section 68 board has made expenditures to purchase special equipment for a pupil of a district school board and the pupil enrolls during the fiscal year in a school operated by a different district school board.

(2) The special equipment referred to in subsection (1) must move with the pupil to the new board, unless in the opinion of the new board it is not practical to move the equipment.

(3) Subsection (4) applies if a special equipment claim has been approved for a district school board in respect of a pupil and the pupil enrolls during the fiscal year in a school operated by a different district school board.

(4) Any unspent part of the special equipment claim amount approved in respect of the pupil must be deducted from the amount determined under subsection 17 (2) for the former board and added to the amount determined under subsection 17 (2) for the new board.

(5) Subsection (6) applies if a pupil,

(a) was a pupil approved for special incidence funding in respect of a district school board; and

(b) enrolls in a school operated by a different district school board after the end of the 2004-2005 school year.

(6) The total amount of the approved special incidence claims for pupils of the board referred to in clause (5) (a) is reduced and the amount of the approved special incidence claims for pupils of the board referred to in clause (5) (b) is increased to the extent, if any, that the Minister considers appropriate having regard to the costs of each board in the fiscal year in connection with providing the pupil's special education program.

**Language allocation, English-language boards**

**22.** The amount of the language allocation for an English-language district school board for the fiscal year is the sum of,

(a) the French as a second language amount for the board for the fiscal year;

(b) the Native language amount for the board for the fiscal year; and

(c) the ESL/ESD amount for the board for the fiscal year.

**French as a second language amount**

**23.** (1) The French as a second language amount for an English-language district school board for the fiscal year is the sum of,

(a) the French as a second language amount for elementary school pupils of the board; and

(b) the French as a second language amount for secondary school pupils of the board.

(2) The French as a second language amount for elementary school pupils of a board is determined as follows:

1. Multiply \$253.56 by the number of pupils of the board enrolled in any of grades 4 to 8 who are scheduled on October 31, 2005 to take instruction in French for an average of 20 or more minutes but less than 60 minutes per school day.
2. Multiply \$288.89 by the number of pupils of the board enrolled in any of grades 4 to 8 who are scheduled on October 31, 2005 to take instruction in French for an average of 60 or more minutes but less than 150 minutes per school day.
3. Multiply \$323.18 by the number of pupils of the board enrolled in any of grades 1 to 8 who are scheduled on October 31, 2005 to take instruction in French for an average of 150 or more minutes per school day.
4. Multiply \$323.18 by the number of pupils of the board enrolled in junior kindergarten or kindergarten who are scheduled on October 31, 2005 to take instruction in French for an average of 75 minutes or more per school day.
5. Total the amounts determined under paragraphs 1 to 4.

(3) The French as a second language amount for secondary school pupils of a board is determined as follows:

1. Determine an amount for grades 9 and 10 instruction in the subject of French by multiplying \$64.46 by the sum of the amounts determined under the following subparagraphs:
  - i. Determine the credit value of each grade 9 course and grade 10 course in the subject of French that is taught on a non-semestered basis. Multiply the credit value by the number of pupils of the board enrolled in the course on October 31, 2005, excluding pupils who are at least 21 years of age on December 31, 2005.
  - ii. Determine the credit value of each grade 9 course and grade 10 course in the subject of French that is taught on a semestered basis. Multiply the credit value by the total of the number of pupils of the board enrolled in the course on October 31, 2005 and the number of pupils of the board enrolled in the course on March 31, 2006, excluding pupils who are at least 21 years of age on December 31, 2005.
2. Determine an amount for grades 9 and 10 instruction in a subject other than French if the language of instruction is French by multiplying \$106.04 by the sum of the amounts determined under the following subparagraphs:
  - i. Determine the credit value of each grade 9 course and grade 10 course in a subject other than French that is taught in French on a non-semestered basis. Multiply the credit value by the number of pupils of the board enrolled in the course on October 31, 2005, excluding pupils who are at least 21 years of age on December 31, 2005.

- ii. Determine the credit value of each grade 9 course and grade 10 course in a subject other than French that is taught in French on a semestered basis. Multiply the credit value by the total of the number of pupils of the board enrolled in the course on October 31, 2005 and the number of the pupils of the board enrolled in the course on March 31, 2006, excluding pupils who are at least 21 years of age on December 31, 2005.
3. Determine an amount for grades 11 and 12 instruction in the subject of French by multiplying \$85.25 by the sum of the amounts determined under the following subparagraphs:
  - i. Determine the credit value of each grade 11 course and grade 12 course in the subject of French that is taught on a non-semestered basis. Multiply the credit value by the number of pupils of the board enrolled in the course on October 31, 2005, excluding pupils who are at least 21 years of age on December 31, 2005.
  - ii. Determine the credit value of each grade 11 course and grade 12 course in the subject of French that is taught on a semestered basis. Multiply the credit value by the total of the number of pupils of the board enrolled in the course on October 31, 2005 and the number of the pupils of the board enrolled in the course on March 31, 2006, excluding pupils who are at least 21 years of age on December 31, 2005.
4. Determine an amount for grades 11 and 12 instruction in a subject other than French if the language of instruction is French by multiplying \$165.30 by the sum of the amounts determined under the following subparagraphs:
  - i. Determine the credit value of each grade 11 course and grade 12 course in a subject other than French that is taught in French on a non-semestered basis. Multiply the credit value by the number of pupils of the board enrolled in the course on October 31, 2005, excluding pupils who are at least 21 years of age on December 31, 2005.
  - ii. Determine the credit value of each grade 11 course and grade 12 course in a subject other than French that is taught in French on a semestered basis. Multiply the credit value by the total of the number of pupils of the board enrolled in the course on October 31, 2005 and the number of pupils of the board enrolled in the course on March 31, 2006, excluding pupils who are at least 21 years of age on December 31, 2005.
5. Total the amounts determined under paragraphs 1 to 4.

(4) In this section,

“course” means a course at the secondary level that is assigned a common course code in the list of common course codes that is published by the Ministry and is available for public inspection at the offices of the Education Finance Branch of the Ministry of Education, Mowat Block, 900 Bay Street, 21st Floor, Toronto, Ontario, M7A 1L2 and is available on the Ministry’s website at [www.edu.gov.on.ca](http://www.edu.gov.on.ca) by accessing the Elementary/Secondary link and the Common Course Codes link; (“cours”)

“credit value” means, in respect of a course in which a pupil is enrolled, the number of credits that the pupil is eligible to earn on successfully completing the course; (“valeur en crédits”)

“instruction in French” means instruction in the subject of French or instruction in any other subject if the language of instruction is French. (“enseignement en français”)

**Native language amount**

**24.** (1) The Native language amount for an English-language district school board or for a French-language district school board for the fiscal year is the total of the Native language amount for elementary school pupils of the board and the Native language amount for secondary school pupils of the board.

(2) The Native language amount for elementary school pupils of the board is the total of the amounts determined under the following paragraphs:

1. Multiply \$243.19 by the number of elementary school pupils of the board who, on October 31, 2005, are scheduled to take instruction in the subject of a Native language for an average of at least 20 minutes but less than 40 minutes per school day.
2. Multiply \$432.33 by the number of elementary school pupils of the board who, on October 31, 2005, are scheduled to take instruction in the subject of a Native language for an average of at least 40 minutes per school day.

(3) The Native language amount for secondary school pupils of the board is the total of the amounts determined under the following paragraphs:

1. Multiply \$64.46 by the sum of the products determined by multiplying the credit value of each course in a Native language that is a level one, level two or level three course taught on a non-semestered basis by the number of pupils of the board enrolled in the course on October 31, 2005, excluding pupils who are at least 21 years of age on December 31, 2005.
2. Multiply \$64.46 by the sum of the products determined by multiplying the credit value of each course in a Native language that is a level one, level two or level three course taught on a semestered basis by the total of the number of

pupils of the board enrolled in the course on October 31, 2005 and the number of pupils of the board enrolled in the course on March 31, 2006, excluding pupils who are at least 21 years of age on December 31, 2005.

3. Multiply \$85.25 by the sum of the products determined by multiplying the credit value of each course in a Native language that is a grade 11 course or grade 12 course taught on a non-semestered basis by the number of pupils of the board enrolled in the course on October 31, 2005, excluding pupils who are at least 21 years of age on December 31, 2005.
4. Multiply \$85.25 by the sum of the products determined by multiplying the credit value of each course in a Native language that is a grade 11 course or grade 12 course taught on a semestered basis by the total of the number of pupils of the board enrolled in the course on October 31, 2005 and the number of pupils of the board enrolled in the course on March 31, 2006, excluding pupils who are at least 21 years of age on December 31, 2005.

(4) In this section,

“course” means a course at the secondary level that is assigned a common course code in the list of common course codes that is published by the Ministry and is available for public inspection at the offices of the Education Finance Branch of the Ministry of Education, Mowat Block, 900 Bay Street, 21st Floor, Toronto, Ontario, M7A 1L2 and is available on the Ministry’s website at [www.edu.gov.on.ca](http://www.edu.gov.on.ca) by accessing the Elementary/Secondary link and the Common Course Codes link; (“cours”)

“credit value” of a course in which a pupil is enrolled means the number of credits that the pupil is eligible to earn on successfully completing the course. (“valeur en crédits”).

#### **ESL/ESD amount**

**25.** (1) The ESL/ESD amount for an English-language district school board for the fiscal year is the sum of the amount set out for the board in Table 1 and the product determined by multiplying \$3,267 by the sum of,

- (a) the number of pupils of the board, as of October 31, 2005,
  - (i) who were born in countries described in subsection (2) after December 31, 1984, and
  - (ii) who entered Canada during the period beginning September 1, 2004 and ending October 31, 2005;
- (b) the amount determined by multiplying 0.7 by the number of pupils of the board, as of October 31, 2005,
  - (i) who were born in countries described in subsection (2) after December 31, 1984, and
  - (ii) who entered Canada during the period beginning September 1, 2003 and ending August 31, 2004;
- (c) the amount determined by multiplying 0.5 by the number of pupils of the board, as of October 31, 2005,
  - (i) who were born in countries described in subsection (2) after December 31, 1984, and
  - (ii) who entered Canada during the period beginning September 1, 2002 and ending August 31, 2003; and
- (d) the amount determined by multiplying 0.25 by the number of pupils of the board, as of October 31, 2005,
  - (i) who were born in countries described in subsection (2) after December 31, 1984, and
  - (ii) who entered Canada during the period beginning September 1, 2001 and ending August 31, 2002.

(2) The countries described for the purposes of subsection (1) are,

- (a) countries in which English is not the first language of a majority of the population; and
- (b) countries in which a majority of the population speaks a variety of English that is sufficiently different from the English used as the language of instruction in schools of the board that it is appropriate to offer an ESL or ESD program to pupils from those countries.

#### **Language allocation, French-language boards**

**26.** The amount of the language allocation for a French-language district school board for the fiscal year is the total of the amounts determined under the following paragraphs:

1. The French as a first language amount for the board for the fiscal year.
2. The Native language amount for the board for the fiscal year.
3. The ALF/PDF amount for the board for the fiscal year.

#### **French as a first language amount**

**27.** The French as a first language amount for a French-language district school board for the fiscal year is the total of the amounts determined under the following paragraphs:

1. Multiply \$444.80 by the number of elementary school pupils of the board on October 31, 2005.

2. Multiply \$718.40 by the 2005-2006 day school average daily enrolment of the board, counting only secondary school pupils of the board.
3. Multiply \$11,822.60 by the number of elementary schools of the board that are governed for the first time by the board in September, 2005.

**ALF/PDF amount**

**28.** (1) The ALF/PDF amount for a French-language district school board for the fiscal year is the total of the ALF funding level for the board for the fiscal year and the PDF funding level for the board for the fiscal year.

(2) The ALF funding level for the board for the fiscal year is determined as follows:

1. Multiply the 2005-2006 day school average daily enrolment of elementary school pupils of the board by the assimilation factor for the board set out in Table 2.
2. Multiply the number determined under paragraph 1 by \$705.15.
3. Multiply by \$37,627.80 the number of elementary schools of the board in which pupils were enrolled in day school programs in the 2005-2006 school year.
4. Multiply the 2005-2006 day school average daily enrolment of secondary school pupils of the board by the assimilation factor for the board set out in Table 2.
5. Multiply the number determined under paragraph 4 by \$314.57.
6. Multiply by \$69,135.60 the number of secondary schools of the board in which pupils were enrolled in day school programs in the 2005-2006 school year.
7. Total the amounts determined under paragraphs 2, 3, 5 and 6.
8. Add \$86,745.90 to the amount determined under paragraph 7.

(3) The PDF funding level for the board is the amount determined by multiplying \$3,267 by the sum of,

- (a) the number of pupils of the board, as of October 31, 2005,
  - (i) who are eligible for PDF funding under subsection (4),
  - (ii) who were born after December 31, 1984 in countries in which French is a standard language of schooling or public administration, and
  - (iii) who entered Canada during the period beginning September 1, 2004 and ending October 31, 2005;
- (b) the amount determined by multiplying 0.7 by the number of pupils of the board, as of October 31, 2005,
  - (i) who are eligible for PDF funding under subsection (4),
  - (ii) who were born after December 31, 1984 in countries in which French is a standard language of schooling or public administration, and
  - (iii) who entered Canada during the period beginning September 1, 2003 and ending August 31, 2004;
- (c) the amount determined by multiplying 0.5 by the number of pupils of the board, as of October 31, 2005,
  - (i) who are eligible for PDF funding under subsection (4),
  - (ii) who were born after December 31, 1984 in countries in which French is a standard language of schooling or public administration, and
  - (iii) who entered Canada during the period beginning September 1, 2002 and ending August 31, 2003; and
- (d) the amount determined by multiplying 0.25 by the number of pupils of the board, as of October 31, 2005,
  - (i) who are eligible for PDF funding under subsection (4),
  - (ii) who were born after December 31, 1984 in countries in which French is a standard language of schooling or public administration, and
  - (iii) who entered Canada during the period beginning September 1, 2001 and ending August 31, 2002.

(4) For the purposes of subsection (3), a pupil is eligible for PDF funding if the pupil is admitted to a school of the board under section 293 of the Act, and,

- (a) the pupil speaks a variety of French that is sufficiently different from the French used as the language of instruction in schools of the board that it is appropriate to offer a PDF program to the pupil;
- (b) the pupil's schooling has been interrupted or delayed; or

- (c) the pupil has little knowledge of English or French.

**Distant schools and rural schools allocation**

**29.** (1) The amount of the distant schools and rural schools allocation for a district school board for the fiscal year is determined as follows:

1. Take the elementary school principals amount determined under subsection (2).
  2. Add the secondary school principals amount determined under subsection (3).
  3. Add the rural schools amount determined under subsection (4).
  4. Add the amount that was determined in respect of the board under paragraph 3 of subsection 29 (3) of the 2003-2004 grant regulation.
  5. In the case of the Kenora Catholic District School Board, add \$32,135.
  6. Subtract the total of the amounts, if any, set out in Column 8 of Table 3 opposite the name of the board in Column 1.
  7. Add the total of the amounts, if any, set out in Column 8 of Table 4 opposite the name of the board in Column 1.
  8. Subtract from the amount determined under paragraph 7 the amount set out in Column 2 of Table 5 opposite the name of the board in Column 1.
- (2) The elementary school principals amount is determined as follows:
1. Take the 2005-2006 day school average daily enrolment of elementary school pupils of the board.
  2. Multiply the number determined under paragraph 1 by \$269.46.
  3. Divide the number determined under paragraph 2 by \$98,027.
  4. Divide the number determined under paragraph 3 by the number of elementary schools of the board in which pupils were enrolled in day school programs in the school in the 2005-2006 school year.
  5. If the number determined under paragraph 4 is equal to or greater than 0.69, the elementary school principals amount is zero.
  6. If the number determined under paragraph 4 is less than 0.69, the elementary school principals amount is determined as follows:
    - i. Subtract the number determined under paragraph 4 from 0.69.
    - ii. Multiply the number determined under subparagraph i by \$98,027.
    - iii. Multiply the amount determined under subparagraph ii by the number of elementary schools of the board in which pupils were enrolled in day school programs in the school in the 2005-2006 school year.
- (3) The secondary school principals amount is determined as follows:
1. Take the 2005-2006 day school average daily enrolment of secondary school pupils of the board.
  2. Multiply the number determined under paragraph 1 by \$117.57.
  3. Divide the number determined under paragraph 2 by \$106,906.
  4. Divide the number determined under paragraph 3 by the number of secondary schools of the board in which pupils were enrolled in day school programs in the school in the 2005-2006 school year.
  5. If the number determined under paragraph 4 is equal to or greater than 0.4, the secondary school principals amount is zero.
  6. If the number determined under paragraph 4 is less than 0.4, the secondary school principals amount is determined as follows:
    - i. Subtract the number determined under paragraph 4 from 0.4.
    - ii. Multiply the number determined under subparagraph i by \$106,906.
    - iii. Multiply the amount determined under subparagraph ii by the number of secondary schools of the board in which pupils were enrolled in day school programs in the school in the 2005-2006 school year.
- (4) The rural schools amount is determined as follows:
1. Multiply the 2005-2006 enrolment, within the meaning of subsection 36 (45), of each rural elementary school of the board by \$472.
  2. Multiply the number of rural elementary schools of the board that are also distant elementary schools, within the meaning of subsection 29 (2.1) of the 2003-2004 grant regulation, by \$3,000.

3. Total the amounts that were determined under subsection 29 (5) of the 2003-2004 grant regulation for every rural elementary school of the board that is also a distant elementary school of the board, within the meaning of subsection 29 (2.1) of the 2003-2004 grant regulation.
4. Total the amounts, if any, set out in Column 9 of Table 4 opposite both the name of an elementary school in Column 3 and the name of the board in Column 1.
5. Total the amounts determined under paragraphs 1, 2, 3 and 4.
6. Multiply the number of rural elementary schools of the board by \$134,944.
7. Subtract the amount determined under paragraph 5 from the amount determined under paragraph 6. If the difference is a negative number, it is deemed to be zero.
8. Multiply the number of rural elementary schools of the board by \$4,000.
9. Add the amount determined under paragraph 8 to the amount determined under paragraph 7.
10. Multiply the 2005-2006 enrolment, within the meaning of subsection 36 (45), of each rural secondary school of the board by \$467.
11. Multiply the number of rural secondary schools of the board that are also distant secondary schools, within the meaning of subsection 29 (2.6) of the 2003-2004 grant regulation, by \$4,000.
12. Total the amounts that were determined under subsection 29 (9) of the 2003-2004 grant regulation for every rural secondary school of the board that is also a distant secondary school of the board, within the meaning of subsection 29 (2.6) of the 2003-2004 grant regulation.
13. Total the amounts determined under paragraphs 10, 11 and 12.
14. Multiply the number of rural secondary schools of the board by \$145,796.
15. Subtract the amount determined under paragraph 13 from the amount determined under paragraph 14. If the difference is a negative number, it is deemed to be zero.
16. Multiply the number of rural secondary schools of the board by \$5,000.
17. Add the amount determined under paragraph 16 to the amount determined under paragraph 15.
18. Add the amount determined under paragraph 9 to the amount determined under paragraph 17.

**Remote and rural allocation**

**30.** (1) The amount of the remote and rural allocation for a district school board for the fiscal year is the total of the board's small board amount, the board's distance amount and the board's dispersion amount.

(2) The board's small board amount is the amount, if any, determined under the following paragraph that applies to the board:

1. If the 2005-2006 day school average daily enrolment of pupils of the board is less than 4,000,
  - i. multiply the 2005-2006 day school average daily enrolment of pupils of the board by \$0.0170,
  - ii. subtract the amount determined under subparagraph i from \$313.64, and
  - iii. multiply the amount determined under subparagraph ii by the 2005-2006 day school average daily enrolment of pupils of the board.
2. If the 2005-2006 day school average daily enrolment of pupils of the board is at least 4,000 but less than 8,000,
  - i. subtract 4,000 from the 2005-2006 day school average daily enrolment of pupils of the board,
  - ii. multiply the number determined under subparagraph i by \$0.0196,
  - iii. subtract the amount determined under subparagraph ii from \$245.51, and
  - iv. multiply the amount determined under subparagraph iii by the 2005-2006 day school average daily enrolment of pupils of the board.
3. If the 2005-2006 day school average daily enrolment of pupils of the board is 8,000 or more,
  - i. subtract 8,000 from the 2005-2006 day school average daily enrolment of pupils of the board,
  - ii. multiply the number determined under subparagraph i by \$0.0209,
  - iii. subtract the amount determined under subparagraph ii from \$167.28,
  - iv. if the amount determined under subparagraph iii is greater than zero, multiply the amount determined under subparagraph iii by the 2005-2006 day school average daily enrolment of pupils of the board, and



v. if the amount determined under subparagraph iii is not greater than zero, the board's small board amount is zero.

- (3) The board's distance amount is,
- the product of the 2005-2006 day school average daily enrolment of pupils of the board multiplied by the board's distance factor per pupil, if the board is an English-language district school board; or
  - the product of the 2005-2006 day school average daily enrolment of pupils of the board multiplied by the greater of the board's distance factor per pupil or \$174.77, if the board is a French-language district school board.
- (4) The board's distance factor per pupil is the amount determined by multiplying the urban factor specified for the board in Column 3 of Table 6 by the amount determined under the following paragraph that applies to the board:
- If the distance specified for the board in Column 2 of Table 6 is less than 151 kilometres, the amount is zero.
  - If the distance specified for the board in Column 2 of Table 6 is equal to or greater than 151 kilometres but less than 650 kilometres, the amount is determined using the formula:

$$(A - 150) \times \$1.072$$

in which,

"A" is the distance specified for the board in Column 2 of Table 6.

- If the distance specified for the board in Column 2 of Table 6 is equal to or greater than 650 kilometres but less than 1,150 kilometres, the amount is determined using the formula:

$$[(A - 650) \times \$0.142] + \$535$$

in which,

"A" is the distance specified for the board in Column 2 of Table 6.

- If the distance specified for the board in Column 2 of Table 6 is equal to or greater than 1,150 kilometres, the amount is \$607.

- (5) The board's dispersion amount is the amount calculated using the formula,

$$(DD - F) \times ADE \times \$5.63$$

in which,

"DD" is the dispersion distance in kilometres set out in Column 4 of Table 6 opposite the name of the board in Column 1 of that Table,

"F" is the lesser of "DD" and 14 kilometres, and

"ADE" is the 2005-2006 day school average daily enrolment of pupils of the board.

#### **Learning opportunities allocation**

**31.** (1) The amount of the learning opportunities allocation for a district school board for the fiscal year is the total of the amounts set out or determined under the following paragraphs:

- The amount set out in Column 2 of Table 7 opposite the name of the board.
- The board's early learning assistance amount for the fiscal year which is the amount determined by multiplying \$126 by the 2005-2006 day school average daily enrolment of elementary school pupils of the board, counting only pupils enrolled in junior kindergarten, kindergarten and grades 1 to 3.
- The board's literacy and numeracy assistance amount for the fiscal year.
- The board's student success, grades 7 to 12, amount for the fiscal year.

- (2) The board's literacy and numeracy assistance amount for the fiscal year is determined as follows:

- Determine the summer school average daily enrolment for the board for the fiscal year in accordance with section 4 of the 2005-2006 A.D.E. regulation, counting only pupils of the board enrolled in classes or courses described in subclauses (c) (iii) and (iv) of the definition of "summer school class or course" in subsection 4 (1) of that regulation.
- Determine the continuing education average daily enrolment for the board for the fiscal year in accordance with section 3 of the 2005-2006 A.D.E. regulation, counting only pupils of the board enrolled in classes or courses described in paragraphs 5, 6 and 7 of subsection 3 (2) of that regulation.
- Add the numbers determined under paragraphs 1 and 2.
- Multiply the number determined under paragraph 3 by \$5,489.

5. Add the amount of the board's transportation costs related to literacy and numeracy instruction for the fiscal year.

(3) The amount of the board's transportation costs related to literacy and numeracy instruction for the fiscal year is determined as follows:

1. Take the amount of the board's transportation allocation for the fiscal year.
2. Deduct the amount determined for the board under paragraph 10 of section 34.
3. Divide the result obtained under paragraph 2 by the 2005-2006 day school average daily enrolment of pupils of the board.
4. Multiply the result obtained under paragraph 3 by the enrolment amount determined under paragraph 1 of subsection (2).
5. Multiply the result obtained under paragraph 4 by 3.0.

(4) The board's student success, grades 7 to 12, amount for the fiscal year is the amount determined as follows:

1. Multiply \$25.91 by the 2005-2006 day school average daily enrolment of pupils of the board, counting only pupils enrolled in grades 9, 10, 11 and 12.
2. Multiply \$10.35 by the 2005-2006 day school average daily enrolment of pupils of the board, counting only pupils enrolled in grades 4, 5, 6, 7 and 8.
3. Multiply 0.0023 by the difference obtained by subtracting the amount determined in respect of the board under paragraph 10 of section 34 from the transportation allocation for the board for the fiscal year.
4. Multiply the student success, grades 7 to 12, demographic factor set out in Column 3 of Table 7 opposite the name of the board in Column 1 of that Table by \$10,404,000.
5. Multiply the 2005-2006 day school average daily enrolment of pupils of the board, counting only pupils enrolled in grades 9, 10, 11 and 12, by the dispersion distance in kilometres set out in Column 4 of Table 6 opposite the name of the board in Column 1 of that Table.
6. Multiply the amount determined in paragraph 5 by \$0.52.
7. Multiply the 2005-2006 day school average daily enrolment of pupils of the board, counting only pupils enrolled in grades 4, 5, 6, 7 and 8, by the dispersion distance in kilometres set out in Column 4 of Table 6 opposite the name of the board in Column 1 of that Table.
8. Multiply the amount determined in paragraph 7 by \$0.20
9. Add the amounts determined under paragraphs 1, 2, 3, 4, 6 and 8.
10. Add \$144,512 to the sum determined under paragraph 9.

**Continuing education and other programs allocation**

**32.** (1) The amount of the continuing education and other programs allocation for a district school board for the fiscal year is determined as follows:

1. Determine the 2005-2006 day school average daily enrolment for the board, for the fiscal year, in accordance with section 2 of the 2005-2006 A.D.E. regulation, counting only pupils of the board who are at least 21 years of age on December 31, 2005.
2. Determine the continuing education average daily enrolment for the board for the fiscal year, in accordance with section 3 of the 2005-2006 A.D.E. regulation, counting only pupils enrolled in classes or courses described in paragraphs 1, 2, 3, 4, 8 and 9 of subsection 3 (2) of that regulation and excluding,
  - i. pupils to whom subsection 49 (6) of the Act applies, and
  - ii. pupils in respect of whom the board charges a fee under subsection 8 (4) of the 2005-2006 fees regulation.
3. Determine the summer school average daily enrolment for the board for the fiscal year, in accordance with section 4 of the 2005-2006 A.D.E. regulation, counting only pupils enrolled in classes or courses described in subclause (c) (i), (ii), (v) or (vi) of the definition of "summer school class or course" in subsection 4 (1) of that regulation, excluding pupils to whom subsection 49 (6) of the Act applies and pupils in respect of whom the board charges a fee under subsection 8 (5) of the 2005-2006 fees regulation.
4. Add the numbers determined under paragraphs 1, 2 and 3.
5. Multiply the total determined under paragraph 4 by \$2,528.
6. Determine the amount for international languages for the board.

7. Determine the amount for the board for prior learning assessment and recognition that is not provided as part of a day school program.

8. Total the amounts determined under paragraphs 5, 6 and 7.

(2) Subsections (3) and (4) apply if a board establishes classes to provide instruction in a language other than English or French and the classes are approved by the Minister as part of an international languages elementary school program.

(3) Except as provided in subsection (4), the amount for international languages for the board is the number of hours of instruction provided by the board in classes described in subsection (2), multiplied by \$43.

(4) If the quotient obtained by dividing the number of elementary school pupils enrolled in classes described in subsection (2) that have been established by the board by the number of those classes is less than 25, the \$43 per hour rate specified in subsection (3) is reduced by the product of \$1 and the difference between the quotient and 25.

(5) The amount for the board for the fiscal year for prior learning assessment and recognition that is not provided as part of a day school program is the sum of the amounts determined under the following paragraphs:

1. Multiply \$102 by the number of mature students of the board who, during the school board fiscal year, received an individual student assessment for grade 9 or 10 credits in accordance with section 6.6 of the document entitled "Ontario Secondary Schools, Grades 9 to 12 — Program and Diploma Requirements — 1999", which is available for public inspection at the offices of the Education Finance Branch of the Ministry of Education, Mowat Block, 900 Bay Street, 21st Floor, Toronto, Ontario, M7A 1L2 and is electronically available by accessing the following links on the Ministry of Education website at [www.edu.gov.on.ca](http://www.edu.gov.on.ca): Publications, Curriculum and Policy, and Policy and Reference.

2. Multiply \$102 by the number of mature students of the board who, during the school board fiscal year, received an individual student equivalency assessment for grade 11 or 12 credits in accordance with section 6.6 of the document entitled "Ontario Secondary Schools, Grades 9 to 12 — Program and Diploma Requirements — 1999", which is available as described in paragraph 1.

3. Multiply \$306 by the number of completed challenges for grades 11 and 12 credits undertaken during the school board fiscal year by mature students of the board in accordance with section 6.6 of the Ministry's publication entitled "Ontario Secondary Schools Grades 9 to 12 — Program and Diploma Requirements — 1999", which is available as described in paragraph 1.

(6) The following rules apply for purposes of subsection (5):

1. A pupil of the board is a mature student for the fiscal year if he or she is at least 18 years of age on December 31, 2005 and was not enrolled in a day school program in one or more prior school years.

2. In determining the number of completed challenges for grades 11 and 12 credits undertaken by mature students of the board, a full credit course is counted as one credit and a half credit course is counted as 0.5 credit.

#### Cost adjustment and teacher qualification and experience allocation

**33.** (1) In this section,

"AEFO" stands for l'Association des enseignantes et des enseignants franco-ontariens; ("AEFO")

"AEFO certification" means the AEFO certification of Group 1, Group 2, Group 3 or Group 4; ("certification de l'AEFO")

"OSSTF" stands for the Ontario Secondary School Teachers' Federation; ("FEESO")

"OSSTF certification" means the OSSTF certification of Group 1, Group 2, Group 3 or Group 4; ("certification de la FEESO")

"QECO" stands for Qualifications Evaluation Council of Ontario; ("COEQ")

"QECO category" means the QECO category D, C, B, A1, A2, A3 or A4; ("catégorie du COEQ")

"qualification category" means AEFO certification, OSSTF certification or QECO category; ("catégorie de qualifications")

"teacher" includes a temporary teacher and does not include an occasional teacher. ("enseignant")

(2) In this section, a cell of Table 8 is referred to by its qualification category co-ordinate followed by the number co-ordinate representing full years of teaching experience.

(3) For example, cell C-1 of Table 8 contains the number 0.6127 and cell A1/group 1-3 contains the number 0.7416.

(4) For the purposes of this section, the number of teachers employed by a board is the full-time equivalent number of persons employed by the board as of October 31, 2005 to teach.

(5) For the purposes of subsection (4), the counting practices usually followed by the board for staffing purposes must be followed, subject to the following rules:

1. A teacher who is not assigned to provide instruction to pupils of the board in a regular timetable that is in effect as of October 31, 2005 is not counted for the purposes of this section, unless the teacher satisfies the conditions described in subsection (6).
  2. The provision of library instruction or guidance to pupils is considered the provision of instruction to pupils for the purposes of paragraphs 1, 3 and 4.
  3. If a teacher is assigned in a regular timetable that is in effect as of October 31, 2005 to spend part of his or her time providing instruction to pupils of the board and is also assigned, as of that date, under section 17 of Regulation 298 of the Revised Regulations of Ontario, 1990 (Operation of Schools — General) made under the Act, to spend part of his or her time acting as a consultant, co-ordinator or supervisor, the full-time equivalency for the teacher is determined as follows:
    - i. Determine the average number of hours per day in the cycle that includes October 31, 2005 for which the teacher is regularly scheduled, in accordance with the timetable, to provide instruction to pupils of the board or to prepare for such instruction. For the purposes of this subparagraph, a count of hours is accurate to one decimal place.
    - ii. Divide the total determined under subparagraph i by 5.
  4. If a principal or vice-principal is assigned in a regular timetable that is in effect as of October 31, 2005 to spend part of his or her time providing instruction to pupils of the board, the principal or vice-principal is counted as a teacher for the purposes of this section and his or her full-time equivalency as a teacher is determined as follows:
    - i. Determine the average number of hours per day in the cycle that includes October 31, 2005 for which the principal or vice-principal is regularly scheduled, in accordance with the timetable, to provide instruction to pupils of the board. For the purposes of this subsection, a count of hours is accurate to one decimal place.
    - ii. Divide the number determined under subparagraph i by 5.
  5. An occasional teacher who is assigned to provide instruction to pupils of the board in a regular timetable in effect on October 31, 2005 is not counted if the teacher the occasional teacher replaces is included in determining the number of teachers employed by the board under subsection (4) and the board can reasonably expect the teacher to resume instructional duties with the board in the fiscal year.
- (6) For the purposes of paragraph 1 of subsection (5), a teacher is counted for the purposes of this section if he or she is on a leave of absence with pay on October 31, 2005 and the board is not reimbursed for the teacher's pay during the leave of absence.
- (7) The number of full years of teaching experience of a teacher is deemed to be the teacher's number of years of teaching experience before the first day of the 2005-2006 school year, rounded to the nearest whole number if the teacher's number of years of teaching experience is not a whole number and, for this purpose, a number ending in .5 is considered to be nearer to the next whole number.
- (8) If the number of full years of teaching experience of a teacher exceeds 10, the number of full years of teaching experience of the teacher is deemed to be 10.
- (9) The number of full years of teaching experience of a principal or vice-principal is deemed to be 10.
- (10) The following rules apply, as of October 31, 2005, to determine the qualification category of a teacher:
1. If a board uses an AEFO certification system for salary purposes in relation to a teacher employed by it, that AEFO certification system is used for that teacher for the purposes of this section.
  2. If a board uses a QECO categories system for salary purposes in relation to a teacher employed by it, that QECO categories system is used for that teacher for the purposes of this section.
  3. If a board uses an OSSTF certification system for salary purposes in relation to a teacher employed by it, that OSSTF certification system is used for that teacher for the purposes of this section.
  4. Subject to paragraph 6, if a board does not use a QECO categories system for salary purposes in relation to an elementary school teacher employed by it, the classification system used by the board for elementary school teachers in filling out the 2004 Data Form A submitted to the Office of Collective Bargaining Information of the Ministry of Labour is used for that teacher for the purposes of this section.
  5. Subject to paragraph 6, if a board does not use an AEFO certification system, a QECO categories system or an OSSTF certification system for salary purposes in relation to a secondary school teacher employed by it, the classification system used by the board for secondary school teachers in filling out the 2004 Data Form A submitted to the Office of Collective Bargaining Information of the Ministry of Labour is used for that teacher for the purposes of this section.
  6. In the circumstances described in paragraph 4 or 5, the board may elect, by written notice to the Minister, to use the AEFO certification system, the QECO categories system referred to by QECO as QECO Programme Level 4 or the 1992 OSSTF certification system, instead of the classification system required under paragraph 4 or 5.

7. The qualification category of a principal or vice-principal is deemed to be A4/Group 4.
8. If the qualification category of a person is changed after October 31, 2005 and the change for salary purposes is retroactive to a day in the period between the first day of the 2005-2006 school year and October 31, 2005, the changed qualification category must be used for the purposes of this section.
9. The 2004 Data Form A, referred to in paragraphs 4 and 5, is available for public inspection at the offices of the Education Finance Branch of the Ministry of Education, Mowat Block, 900 Bay Street, 21st Floor, Toronto, Ontario, M7A 1L2.

(11) The amount of the cost adjustment and teacher qualification and experience allocation for a district school board is the total of,

- (a) the elementary school teacher qualification and experience allocation;
- (b) the secondary school teacher qualification and experience allocation; and
- (c) the amount set out in Column 2 of Table 9 opposite the name of the board.

(12) The amount of the elementary school teacher qualification and experience allocation for a district school board is determined as follows:

1. For each cell in Table 8, determine the number of teachers employed by the board to provide instruction to elementary school pupils who have the qualification category and the number of full years of teaching experience that correspond with the co-ordinates of the cell. For example, a teacher with a qualification category of D and 0.7 years of teaching experience is counted for the purposes of cell D-1 and a teacher with a qualification category of A2 or group 2 and 3.2 years of teaching experience is counted for the purposes of cell A2/group 2-3.
2. For each cell in Table 8, multiply the number of teachers employed by the board to provide instruction to elementary school pupils who are counted for the purposes of the cell by the number set out in that cell in that Table.
3. Add all the products obtained under paragraph 2 for the board.
4. Divide the sum determined under paragraph 3 by the total number of teachers employed by the board to provide instruction to elementary school pupils.
5. Subtract one from the number obtained under paragraph 4.
6. Multiply the result obtained under paragraph 5 by \$2,953.
7. Multiply the amount determined under paragraph 6 by the 2005-2006 day school average daily enrolment of elementary school pupils of the board.
8. Add the cost adjustment amount for elementary school teachers determined under subsection (14) to the amount determined under paragraph 7.

(13) The amount of the secondary school teacher qualification and experience allocation for a district school board is determined as follows:

1. For each cell in Table 8, determine the number of teachers employed by the board to provide instruction to secondary school pupils who have the qualification category and the number of full years of teaching experience that correspond with the co-ordinates of the cell. For example, a teacher with a qualification category of D and 0.7 years of teaching experience is counted for the purposes of cell D-1 and a teacher with a qualification category of A2 or group 2 and 3.2 years of teaching experience is counted for the purposes of cell A2/group 2-3.
2. For each cell in Table 8, multiply the number of teachers employed by the board to provide instruction to secondary school pupils who are counted for the purposes of the cell by the number set out in that cell in that Table.
3. Add all the products obtained under paragraph 2 for the board.
4. Divide the sum determined under paragraph 3 by the total number of teachers employed by the board to provide instruction to secondary school pupils.
5. Subtract one from the number obtained under paragraph 4.
6. Multiply the result obtained under paragraph 5 by \$3,814.
7. Multiply the amount determined under paragraph 6 by the 2005-2006 day school average daily enrolment of secondary school pupils of the board.
8. Add the cost adjustment amount for secondary school teachers determined under subsection (15) to the amount determined under paragraph 7.

(14) The cost adjustment amount for elementary school teachers is determined as follows:

1. Multiply the number determined under paragraph 3 of subsection (12) by \$55,161.

2. For every cell in Table 8, take,
    - i. the number that was determined in respect of that cell under paragraph 1 of subsection (12), and
    - ii. the salary reported by the board for elementary school teachers for the 2004-2005 school board fiscal year in respect of that cell in Appendix G of the 2005-2006 School Board Estimates submitted by the board under clause 231 (11) (c) of the Act.
  3. For every cell in Table 8, multiply the number taken under subparagraph 2 i by the amount taken under subparagraph 2 ii.
  4. Total the products determined under paragraph 3.
  5. Subtract the amount determined under paragraph 4 from the amount determined under paragraph 1.
  6. Multiply the amount determined under paragraph 5 by 0.02.
  7. Divide the amount determined under paragraph 6 by 1.02.
  8. Add the amounts determined under paragraphs 6 and 7.
- (15) The cost adjustment amount for secondary school teachers is determined as follows:
1. Multiply the number determined under paragraph 3 of subsection (13) by \$55,161.
  2. For every cell in Table 8, take,
    - i. the number that was determined in respect of that cell under paragraph 1 of subsection (13), and
    - ii. the salary reported by the board for secondary school teachers for the 2004-2005 school board fiscal year in respect of that cell in Appendix G of the 2004-2005 estimates submitted by the board under clause 231 (11) (c) of the Act.
  3. For every cell in Table 8, multiply the number taken under subparagraph 2 i by the amount taken under subparagraph 2 ii.
  4. Total the products determined under paragraph 3.
  5. Subtract the amount determined under paragraph 4 from the amount determined under paragraph 1.
  6. Multiply the amount determined under paragraph 5 by 0.02.
  7. Divide the amount determined under paragraph 6 by 1.02.
  8. Add the amounts determined under paragraphs 6 and 7.

**Transportation allocation**

- 34.** The amount of the transportation allocation for a district school board for the fiscal year is determined as follows:
1. Subtract the amount determined in respect of the board under paragraph 38 of section 35 of the 2004-2005 grant regulation from the amount determined in respect of the board under paragraph 39, 40, 41, 42 or 43 of section 35 of that regulation, as the case may be.
  2. Multiply the amount determined under paragraph 1 by 0.0356.
  3. Determine the 2005-2006 day school average daily enrolment of pupils of the board.
  4. Take the 2004-2005 day school average daily enrolment of pupils of the board, within the meaning of the 2004-2005 grant regulation.
  5. Divide the number obtained under paragraph 3 by the number obtained under paragraph 4. If the quotient is less than 1.0, it is deemed to be 1.0.
  6. Multiply the amount determined under paragraph 1 by the number determined under paragraph 5.
  7. Add the amounts determined under paragraphs 2 and 6.
  8. Multiply the amount determined under paragraph 1 by 0.0065.
  9. Add the amount determined under paragraph 7 to the greater of the amount determined under paragraph 8 and \$10,000.
  10. Determine the board's expenditure in the fiscal year that is approved by the Minister, based on submissions by the board, in respect of transportation to and from the Ontario School for the Blind, an Ontario School for the Deaf or a demonstration school established by or operated under an agreement with the Minister for pupils with severe communicational exceptionalities.

11. Add the amount determined under paragraph 9 to the amount determined under paragraph 10.

**Administration and governance allocation**

**35.** (1) The amount of the administration and governance allocation for a district school board for the fiscal year is the total of the amounts listed in the following paragraphs:

1. The amount determined under subsection (2) for the board for board members' honoraria and expenses and for expenses relating to pupil representation.
2. The amount determined under subsection (4) for the board for directors of education and supervisory officers.
3. The amount determined under subsection (5) for the board for administration costs.
4. The amount determined under subsection (6) for the board for multiple municipalities.

(2) The amount for the board for board members' honoraria and expenses and for expenses relating to pupil representation is determined as follows:

1. Multiply the number of members on the board by \$5,000 to determine the amount of board members' honoraria. For the purposes of this paragraph and paragraph 2, the number of members on the board is the sum of,
  - i. the number of members determined for the board under subclause 58.1 (2) (k) (i) of the Act or, if a resolution referred to in subsection 58.1 (10.1) of the Act is in effect, the number of members specified in the resolution, and
  - ii. the number of Native representatives determined for the board under subsection 188 (5) of the Act.
2. Multiply the number of members on the board by \$5,000, to determine the amount of board members' expenses.
3. Total the products obtained under paragraphs 1 and 2.
4. Add \$10,000 to the amount determined under paragraph 3, for additional honoraria for the chair and vice-chair.
5. Add \$5,000 to the amount determined under paragraph 4, for expenses relating to pupil representation.

(3) For the purposes of subsection (4), pupils are counted on the basis of the 2005-2006 day school average daily enrolment of pupils of the board.

(4) The amount for the board for directors of education and supervisory officers is determined as follows:

1. Allow \$461,372 as a base amount.
2. Allow \$11.76 per pupil for the first 10,000 pupils of the board.
3. Allow \$17.17 per pupil for the next 10,000 pupils of the board.
4. Allow \$23.61 pupil for the remaining pupils of the board.
5. Total the amounts allowed under paragraphs 1 to 4.
6. Add 2 per cent of the amount of the board's remote and rural allocation for the year.
7. Add 0.5 per cent of the total of the amounts determined for the board under paragraph 1 of subsection 31 (1).
8. Add 1 per cent of the amount determined for the board for new pupil places under subsection 36 (10).

(5) The amount for the board for administration costs is determined as follows:

1. Allow \$87,416 as a base amount.
2. Add the product of \$189.35 and the 2005-2006 day school average daily enrolment of pupils of the board.
3. Add 11 per cent of the amount of the board's remote and rural allocation for the year.
4. Add 0.5 per cent of the total of the amounts determined for the board under paragraph 1 of subsection 31 (1).
5. Add 1 per cent of the amount determined for the board for new pupil places under subsection 36 (10).

(6) The amount, if any, for a board for multiple municipalities is the amount determined under the following rules:

1. If, on September 1, 2005, there are at least 30 but not more than 49 municipalities situated wholly or partly within the board's area of jurisdiction, the amount is determined using the following formula:

$$(n - 29) \times \$500$$

in which,

"n" is the number of those municipalities.

2. If, on September 1, 2005, there are at least 50 but not more than 99 municipalities situated wholly or partly within the board's area of jurisdiction, the amount is determined using the following formula:

$$\$10,000 + [(n - 49) \times \$750]$$

in which,

"n" is the number of those municipalities.

3. If, on September 1, 2005, there are at least 100 municipalities situated wholly or partly within the board's area of jurisdiction, the amount is determined using the following formula:

$$\$47,500 + [(n - 99) \times \$1,000]$$

in which,

"n" is the number of those municipalities.

- (7) For the purposes of subsection (6), a deemed district municipality is not counted as a municipality.

**Pupil accommodation allocation**

**36.** (1) The amount of the pupil accommodation allocation for a district school board for the fiscal year is the total of the amounts specified in subsection (2).

- (2) The amounts mentioned in subsection (1) are the following:

1. The amount for school operations.
2. The amount for school renewal.
3. The amount for new pupil places.
4. The amount for outstanding capital commitments.

- (3) The amount for the board for the fiscal year for school operations is determined as follows:

1. Determine the 2005-2006 day school average daily enrolment of elementary school pupils of the board.
2. Multiply the number determined under paragraph 1 by the benchmark area requirement per pupil of 9.7 metres squared to obtain the elementary school area requirement for the board.
3. Determine the adjusted elementary school area requirement for the board in metres squared by applying, to the amount determined under paragraph 2, the supplementary elementary school area factor approved for the board by the Minister in accordance with subsections (4) and (5).
4. Determine the day school average daily enrolment for the board for the 2005-2006 fiscal year, in accordance with section 2 of the 2005-2006 day school A.D.E. regulation, counting only pupils who are at least 21 years of age on December 31, 2005.
5. Determine the continuing education average daily enrolment for the board for the 2005-2006 fiscal year, in accordance with section 3 of the 2005-2006 A.D.E. regulation, counting only pupils enrolled in a course for which the pupil may earn a credit and in which instruction is given between 8 a.m. and 5 p.m. and excluding,
  - i. pupils enrolled in a continuing education course delivered primarily through means other than classroom instruction,
  - ii. pupils to whom subsection 49 (6) of the Act applies, and
  - iii. pupils in respect of whom the board charges a fee under subsection 8 (4) of the 2005-2006 fees regulation.
6. Determine the summer school average daily enrolment for the board for the fiscal year, in accordance with section 4 of the 2005-2006 A.D.E. regulation, excluding,
  - i. pupils to whom subsection 49 (6) of the Act applies, and
  - ii. pupils in respect of whom the board charges a fee under subsection 8 (5) of the 2005-2006 fees regulation.
7. Take the total number of pupil places in education programs provided by the board that are qualifying education programs within the meaning of subsection 20 (2) for which instruction is provided on board premises.
8. Add the numbers determined under paragraphs 4, 5, 6 and 7.
9. Multiply the total determined under paragraph 8 by the benchmark area requirement per pupil of 9.29 metres squared, to obtain the continuing education and other programs area requirement for the board.



10. Determine the adjusted continuing education and other programs area requirement for the board in metres squared by applying, to the amount determined under paragraph 9, the supplementary continuing education and other programs area factor approved for the board by the Minister in accordance with subsection (6).
11. Determine the 2005-2006 day school average daily enrolment of secondary school pupils of the board.
12. Multiply the number determined under paragraph 11 by the benchmark area requirement per pupil of 12.07 metres squared to obtain the secondary school area requirement for the board.
13. Determine the adjusted secondary school area requirement for the board in metres squared by applying, to the amount determined under paragraph 12, the supplementary secondary school area factor approved for the board by the Minister in accordance with subsection (8).
14. Obtain the adjusted total area requirement for the board in metres squared by adding the following amounts:
  - i. The adjusted elementary school area requirement for the board determined under paragraph 3.
  - ii. The adjusted continuing education and other programs area requirement for the board determined under paragraph 10.
  - iii. The adjusted secondary school area requirement for the board determined under paragraph 13.
15. Multiply the number obtained under paragraph 14 by the benchmark operating cost of \$62.84 per metre squared.
16. For each elementary school of the board, calculate a top-up amount for school operations as follows:
  - i. Determine the 2005-2006 enrolment.
  - ii. Determine the capacity of the school, in terms of pupil places, in accordance with subsection (43). However, the capacity of a school for which the number determined under subparagraph i is zero is deemed, for the purposes of this paragraph, to be zero.
  - iii. Multiply the number determined under subparagraph i by the benchmark area requirement per pupil of 9.7 metres squared.
  - iv. Multiply the number determined under subparagraph iii by the benchmark operating cost of \$62.84 per metre squared.
  - v. Multiply the number determined under subparagraph iv by the supplementary elementary school area factor approved for the board by the Minister in accordance with subsections (4) and (5).
  - vi. Multiply the capacity of the school, in terms of pupil places, as determined under subparagraph ii, by the benchmark area requirement per pupil of 9.7 metres squared.
  - vii. Multiply the number determined under subparagraph vi by the benchmark operating cost of \$62.84 per metre squared.
  - viii. Multiply the number determined under subparagraph vii by the supplementary elementary school area factor approved for the board by the Minister in accordance with subsections (4) and (5).
  - ix. Multiply the number determined under subparagraph viii by 0.2.
  - x. Subtract the number determined under subparagraph v from the number determined under subparagraph viii.
  - xi. Take the lesser of the number determined under subparagraph ix and the number determined under subparagraph x to obtain the top-up amount for school operations for the elementary school. However, if the number determined under subparagraph x is zero or a negative number or if the number determined under subparagraph i is zero, the top-up amount for school operations for the elementary school is zero.
17. Total the top-up amounts determined under paragraph 16 for each elementary school of the board.
18. Total the amounts that were determined for each elementary school of the board under paragraph 15 of subsection 37 (3) of the 2003-2004 grant regulation.
19. Subtract the amount determined under paragraph 18 from the amount that was determined in respect of the board under paragraph 16.2 of subsection 37 (3) of the 2003-2004 grant regulation.
20. Subtract from the amount determined under paragraph 19 the sum of the amounts set out in Column 6 of Table 3 opposite the names of elementary schools of the board.
21. Add to the amount determined under paragraph 20 the sum of the amounts set out in Column 6 of Table 4 opposite the names of elementary schools of the board.
22. Calculate the total of the amounts determined under paragraph 16 for each rural elementary school of the board.

23. For every school of the board that meets the following criteria, subtract the amount determined under paragraph 15 of subsection 37 (3) of the 2003-2004 grant regulation in respect of the school from the amount determined in respect of the school under paragraph 16.1 of that subsection of that regulation:
  - i. The school is a rural elementary school of the board.
  - ii. The school is a distant elementary school of the board, within the meaning of subsection 29 (2.1) of the 2003-2004 grant regulation.
  - iii. The school is not listed in Column 3 of Table 3.
24. Calculate the total of the amounts determined in respect of schools of the board under paragraph 23.
25. Add the amounts determined under paragraphs 22 and 24 to the total of the amounts set out in Column 6 of Table 4 opposite the names of elementary schools of the board that are rural elementary schools.
26. Subtract the amount determined under paragraph 25 from the total of the amounts determined in respect of rural elementary schools of the board under subparagraph 16 x. If the difference is negative, it is deemed to be zero.
27. For each secondary school of the board, calculate a top-up amount for school operations as follows:
  - i. Determine the 2005-2006 enrolment.
  - ii. Determine the capacity of the school, in terms of pupil places, in accordance with subsection (44). However, the capacity of a school for which the number determined under subparagraph i is zero is deemed, for the purposes of this paragraph, to be zero.
  - iii. Multiply the number determined under subparagraph i by the benchmark area requirement per pupil of 12.07 metres squared.
  - iv. Multiply the number determined under subparagraph iii by the benchmark operating cost of \$62.84 per metre squared.
  - v. Multiply the number determined under subparagraph iv by the supplementary secondary school area factor approved for the board by the Minister in accordance with subsection (8).
  - vi. Multiply the capacity of the school, in terms of pupil places, as determined under subparagraph ii, by the benchmark area requirement per pupil of 12.07 metres squared.
  - vii. Multiply the number determined under subparagraph vi by the benchmark operating cost of \$62.84 per metre squared.
  - viii. Multiply the number determined under subparagraph vii by the supplementary secondary school area factor approved for the board by the Minister in accordance with subsection (8).
  - ix. Multiply the number determined under subparagraph viii by 0.2.
  - x. Subtract the number determined under subparagraph v from the number determined under subparagraph viii.
  - xi. Take the lesser of the number determined under subparagraph ix and the number determined under subparagraph x to obtain the top-up amount for school operations for the secondary school. However, if the number determined under subparagraph x is zero or a negative number or if the number determined under subparagraph i is zero, the top-up amount for school operations for the secondary school is zero.
28. Total the top-up amounts for school operations determined under paragraph 27 for each secondary school of the board.
29. Total the amounts that were determined for each secondary school of the board under paragraph 17 of subsection 37 (3) of the 2003-2004 grant regulation.
30. Subtract the amount determined under paragraph 29 from the amount that was determined in respect of the board under paragraph 18.2 of subsection 37 (3) of the 2003-2004 grant regulation.
31. Subtract from the amount determined under paragraph 30 the sum of the amounts set out in Column 6 of Table 3 opposite the names of secondary schools of the board.
32. Add to the amount determined under paragraph 31 the sum of the amounts set out in Column 6 of Table 4 opposite the names of secondary schools of the board.
33. Calculate the total of the amounts determined under paragraph 27 for each rural secondary school of the board.
34. For every school of the board that meets the following criteria, subtract the amount determined under paragraph 17 of subsection 37 (3) of the 2003-2004 grant regulation in respect of the school from the amount determined in respect of the school under paragraph 18.1 of that subsection of that regulation:
  - i. The school is a rural secondary school of the board.

- ii. The school is a distant secondary school of the board, within the meaning of subsection 29 (2.6) of the 2003-2004 grant regulation.
    - iii. The school is not listed in Column 4 of Table 3.
  35. Calculate the total of the amounts determined in respect of schools of the board under paragraph 34.
  36. Add the amounts determined under paragraphs 33 and 35 to the total of the amounts set out in Column 6 of Table 4 opposite the names of secondary schools of the board that are rural secondary schools.
  37. Subtract the amount determined under paragraph 36 from the total of the amounts determined in respect of rural secondary schools of the board under subparagraph 27 x. If the difference is negative, it is deemed to be zero.
  38. Take the lesser of,
    - i. the amount for renewal software licensing fees set out in Column 2 of Table 10 opposite the name of the board, and
    - ii. the board's expenditure for renewal software licensing fees as reported to the Ministry in the board's annual financial statements for the school board fiscal year.
  39. Take the community use of schools compensation amount set out in Column 2 of Table 11 opposite the name of the board.
  40. Total the amounts determined under paragraphs 15, 17, 21, 26, 28, 32, 37, 38 and 39 to obtain the amount for the board for school operations.
- (4) For the purposes of paragraph 3 of subsection (3), the Minister shall approve a supplementary elementary school area factor for a board that the Minister considers appropriate in order to make allowance for any disproportionate space needs that are particular to the board and that are caused by,
- (a) the fact that the board is operating a school that can reasonably be considered to be too large for the community it serves, whether because of declining enrolment or for some other reason;
  - (b) the fact that the board is operating a school in a building, the physical characteristics of which can reasonably be considered to be neither compatible with nor easily modified to conform to the benchmark area requirements referred to in subsection (3);
  - (c) the fact that the board has disproportionately high space requirements because the board serves a disproportionately high number of pupils in special education programs or in other education programs with high space requirements; or
  - (d) other circumstances approved by the Minister.
- (5) In determining an amount for the purposes of subsection (4), the Minister shall have regard to the effect of the circumstances referred to in clauses (4) (a) to (d) on the board's space needs.
- (6) Subject to subsection (7), subsections (4) and (5) apply with necessary modifications to require the Minister to approve a supplementary continuing education and other programs area factor for a board and, for that purpose, a reference to elementary school area is deemed to be a reference to continuing education and other programs area.
- (7) The Minister shall not approve a factor for a board under subsection (6) that is greater than the factor approved for the board under subsection (8).
- (8) Subsections (4) and (5) apply with necessary modifications to require the Minister to approve a supplementary secondary school area factor for a board and, for that purpose, a reference to elementary school area is deemed to be a reference to secondary school area.
- (9) The amount for the board for school renewal is determined as follows:
1. Take the percentage of the total elementary school area of the board that relates to buildings that are less than 20 years old, as set out in Column 2 of Table 12 opposite the name of the board.
  2. Apply the percentage referred to in paragraph 1 to the benchmark renewal cost per metre squared of \$7.03.
  3. Take the percentage of the total elementary school area of the board that relates to buildings that are 20 years old or older, as set out in Column 3 of Table 12 opposite the name of the board.
  4. Apply the percentage referred to in paragraph 3 to the benchmark renewal cost per metre squared of \$10.54.
  5. Add the amounts obtained under paragraphs 2 and 4, to obtain a weighted average benchmark elementary school renewal cost per metre squared.
  6. Multiply the amount obtained under paragraph 5 by the adjusted elementary school area requirement for the board determined under paragraph 3 of subsection (3).

7. Take the percentage of the total secondary school area of the board that relates to buildings that are less than 20 years old, set out in Column 4 of Table 12 opposite the name of the board.
8. Apply the percentage referred to in paragraph 7 to the benchmark renewal cost per metre squared of \$7.03.
9. Take the percentage of the total secondary school area of the board that relates to buildings that are 20 years old or older, as set out in Column 5 of Table 12 opposite the name of the board.
10. Apply the percentage referred to in paragraph 9 to the benchmark renewal cost per metre squared of \$10.54.
11. Add the amounts obtained under paragraphs 8 and 10, to obtain a weighted average benchmark secondary school renewal cost per metre squared.
12. Multiply the amount obtained under paragraph 11 by the adjusted secondary school area requirement for the board determined under paragraph 13 of subsection (3).
13. Multiply the amount obtained under paragraph 11 by the adjusted continuing education and other programs area requirement for the board determined under paragraph 10 of subsection (3).
14. For each elementary school of the board, calculate a top-up amount for school renewal as follows:
  - i. Determine the 2005-2006 enrolment.
  - ii. Determine the capacity of the school, in terms of pupil places, in accordance with subsection (43). However, the capacity of a school for which the number determined under subparagraph i is zero is deemed, for the purposes of this paragraph, to be zero.
  - iii. Multiply the number determined under subparagraph i by the benchmark area requirement per pupil of 9.7 metres squared.
  - iv. Multiply the number determined under subparagraph iii by the weighted average benchmark elementary school renewal cost per metre squared, as determined for the board under paragraph 5.
  - v. Multiply the number determined under subparagraph iv by the supplementary elementary school area factor approved for the board by the Minister in accordance with subsections (4) and (5).
  - vi. Multiply the capacity of the school, in terms of pupil places, as determined under subparagraph ii, by the benchmark area requirement per pupil of 9.7 metres squared.
  - vii. Multiply the number determined under subparagraph vi by the weighted average benchmark elementary school renewal cost per metre squared, as determined for the board under paragraph 5.
  - viii. Multiply the number determined under subparagraph vii by the supplementary elementary school area factor approved for the board by the Minister in accordance with subsections (4) and (5).
  - ix. Multiply the number determined under subparagraph viii by 0.2.
  - x. Subtract the number determined under subparagraph v from the number determined under subparagraph viii.
  - xi. Take the lesser of the number determined under subparagraph ix and the number determined under subparagraph x to obtain the top-up amount for school renewal for the elementary school. However, if the number determined under subparagraph x is zero or a negative number or if the number determined under subparagraph i is zero, the top-up amount for school renewal for the elementary school is zero.
15. Total the top-up amounts for school renewal determined under paragraph 14 for each elementary school of the board.
16. Total the amounts that were determined for each elementary school of the board under paragraph 14 of subsection 37 (9) of the 2003-2004 grant regulation.
17. Subtract the amount determined under paragraph 16 from the amount that was determined in respect of the board under paragraph 15 of subsection 37 (9) of the 2003-2004 grant regulation.
18. Subtract from the amount determined under paragraph 17 the sum of the amounts set out in Column 7 of Table 3 opposite the names of elementary schools of the board.
19. Add to the amount determined under paragraph 18 the sum of the amounts set out in Column 7 of Table 4 opposite the names of elementary schools of the board.
20. Calculate the total of the amounts determined under paragraph 14 for each rural elementary school of the board.
21. For every school of the board that meets the following criteria, subtract the amount determined under paragraph 14 of subsection 37 (9) of the 2003-2004 grant regulation in respect of the school from the amount determined in respect of the school under paragraph 14.1 of that subsection of that regulation:
  - i. The school is a rural elementary school of the board.

- ii. The school is a distant elementary school of the board, within the meaning of subsection 29 (2.6) of the 2003-2004 grant regulation.
  - iii. The school is not listed in Column 3 of Table 3.
22. Calculate the total of the amounts determined in respect of schools of the board under paragraph 21.
23. Add the amounts determined under paragraphs 20 and 22 to the total of the amounts set out in Column 7 of Table 4 opposite the names of elementary schools of the board that are rural elementary schools.
24. Subtract the amount determined under paragraph 23 from the total of the amounts determined in respect of rural elementary schools of the board under subparagraph 14 x. If the difference is negative, it is deemed to be zero.
25. For each secondary school of the board, calculate a top-up amount for school renewal as follows:
  - i. Determine the 2005-2006 enrolment.
  - ii. Determine the capacity of the school, in terms of pupil places, in accordance with subsection (44). However, the capacity of a school for which the number determined under subparagraph i is zero is deemed, for the purposes of this paragraph, to be zero.
  - iii. Multiply the number determined under subparagraph i by the benchmark area requirement per pupil of 12.07 metres squared.
  - iv. Multiply the number determined under subparagraph iii by the weighted average benchmark secondary school renewal cost per metre squared, as determined for the board under paragraph 11.
  - v. Multiply the number determined under subparagraph iv by the supplementary secondary school area factor approved for the board by the Minister in accordance with subsection (8).
  - vi. Multiply the capacity of the school, in terms of pupil places, as determined under subparagraph ii, by the benchmark area requirement per pupil of 12.07 metres squared.
  - vii. Multiply the number determined under subparagraph vi by the weighted average benchmark secondary school renewal cost per metre squared, as determined for the board under paragraph 11.
  - viii. Multiply the number determined under subparagraph vii by the supplementary secondary school area factor approved for the board by the Minister in accordance with subsection (8).
  - ix. Multiply the number determined under subparagraph viii by 0.2.
  - x. Subtract the number determined under subparagraph v from the number determined under subparagraph viii.
  - xi. Take the lesser of the number determined under subparagraph ix and the number determined under subparagraph x to obtain the top-up amount for school renewal for the secondary school. However, if the number determined under subparagraph x is zero or a negative number or if the number determined under subparagraph i is zero, the top-up amount for school renewal for the secondary school is zero.
26. Total the top-up amounts for school renewal determined under paragraph 25 for each secondary school of the board.
27. Total the amounts that were determined for each secondary school of the board under paragraph 16 of subsection 37 (9) of the 2003-2004 grant regulation.
28. Subtract the amount determined under paragraph 27 from the amount that was determined in respect of the board under paragraph 17 of subsection 37 (9) of the 2003-2004 grant regulation.
29. Subtract from the amount determined under paragraph 28 the sum of the amounts set out in Column 7 of Table 3 opposite the names of secondary schools of the board.
30. Add to the amount determined under paragraph 29 the sum of the amounts set out in Column 7 of Table 4 opposite the names of secondary schools of the board.
31. Calculate the total of the amounts determined under paragraph 25 for each rural secondary school of the board.
32. For every school of the board that meets the following criteria, subtract the amount determined under paragraph 16 of subsection 37 (9) of the 2003-2004 grant regulation in respect of the school from the amount determined in respect of the school under paragraph 16.1 of that subsection of that regulation:
  - i. The school is a rural secondary school of the board.
  - ii. The school is a distant secondary school of the board, within the meaning of subsection 29 (2.6) of the 2003-2004 grant regulation.
  - iii. The school is not listed in Column 4 of Table 3.
33. Calculate the total of the amounts determined in respect of schools of the board under paragraph 32.

34. Add the amounts determined under paragraphs 31 and 33 to the total of the amounts set out in Column 7 of Table 4 opposite the names of secondary schools of the board that are rural secondary schools.
  35. Subtract the amount determined under paragraph 34 from the total of the amounts determined in respect of rural secondary schools of the board under subparagraph 25 x. If the difference is negative, it is deemed to be zero.
  36. Take the amount for school renewal enhancement set out opposite the name of the board in Table 13.
  37. Total the amounts determined under paragraphs 6, 12, 13, 15, 24, 26, 35 and 36.
  38. Multiply the sum determined under paragraph 37 by the geographic adjustment factor specified for the board in Column 3 of Table 14.
  39. Total the amounts determined under paragraphs 19, 30 and 38.
  40. Determine the amount of interest that the board has paid or for which it is liable in connection with the financing of school renewal projects to address urgent and high repair needs, subject to the following:
    - i. If the total value of the financing exceeds the amount set out in Column 2 of Table 15 opposite the name of the board it shall be deemed, for the purposes of the determination required under this paragraph, to be the amount set out in that Column.
    - ii. Each school renewal project is at a school of the board listed in Appendix B of the document entitled “*Good Places to Learn: Stage 1 Allocation of Funding*”, which is available for public inspection at the offices of the Education Finance Branch of the Ministry of Education, Mowat Block, 900 Bay Street, 21st Floor, Toronto, Ontario, M7A 1L2 and is electronically available by accessing at the Ministry’s FTP site, <ftp://ftp.edu.gov.on.ca>, the sfis folder and the facilities-policy-review folder.
    - iii. The Minister has approved each project on the basis that the renewal addresses an urgent and high repair need at the school.
  41. Add the amount determined under paragraph 39 to the amount determined under paragraph 40.
- (10) The amount for the board for the fiscal year for new pupil places is determined as follows:
1. Determine the 2005-2006 day school average daily enrolment of elementary school pupils of the board.
  2. Subtract the elementary capacity for the board as determined under subsection (15) from the number determined under paragraph 1. If the difference is negative, the number determined under this paragraph is zero.
  3. Add to the number determined under paragraph 2 the sum of the numbers, if any, each of which is the number of the board’s new pupil places to meet elementary enrolment pressures as calculated for the purposes of determining the amount for the board for new pupil places for a prior school board fiscal year.
  4. Add to the number determined under paragraph 3 the sum of the numbers of new elementary pupil places for the capital transitional adjustment set out in Column 4 of Table 12 of the 2004-2005 grant regulation opposite the name of the board in Column 1 of that Table.
  5. Subtract the number determined in respect of the board under paragraph 2 of subsection 37 (10) of the 2003-2004 grant regulation from the number determined in respect of the board under paragraph 3.2 of that subsection of that regulation. If the difference is negative, the number determined under this paragraph is zero.
  6. Add the numbers determined under paragraphs 4 and 5.
  7. Add to the number determined under paragraph 6 the number, if any, of the board's new pupil places in respect of its elementary schools for which the cost of repair is prohibitive as calculated for the purposes of determining the amount for the board for new pupil places for a prior school board fiscal year.
  8. If the number determined under paragraph 2 is zero, add to the number determined under paragraph 7 the number, if any, of the board’s new pupil places to meet elementary enrolment pressures as determined under subsection (11).
  9. Take the number of new pupil places for elementary school pupils that the board reports, by August 31, 2005, were constructed by September 30, 2003 and financed in whole or in part with amounts calculated for the board under a predecessor of this subsection. For the purpose, a new pupil place shall be determined by the board in accordance with the Instruction Guide, dated 2002 and available electronically through the public access link at <sfis.edu.gov.on.ca> and in hard copy from the offices of the Education Finance Branch of the Ministry of Education, Mowat Block, 900 Bay Street, 21st Floor, Toronto, Ontario, M7A 1L2. The board shall make the report on a form approved by the Minister.
10. Take the least of,
- i. the number determined under paragraph 7,
  - ii. if applicable, the number determined under paragraph 8, and

- iii. the number of elementary pupil places that have been constructed or for which the board has awarded a tender for construction before September 30, 2005.
11. Take the least of,
  - i. the number determined under paragraph 7,
  - ii. if applicable, the number determined under paragraph 8, and
  - iii. the number of elementary pupil places that have been constructed or for which the board has awarded a tender for construction before March 31, 2006.
12. Subtract the number determined under paragraph 9 from the number determined under paragraph 10. If the difference is negative, it is deemed to be zero.
13. Multiply the amount determined under paragraph 12 by the benchmark area requirement per pupil of 9.29 metres squared.
14. Multiply the product determined under paragraph 13 by the benchmark construction cost of \$120.77 per metre squared.
15. Multiply the product determined under paragraph 14 by the geographic adjustment factor set out in Column 3 of Table 14 opposite the name of the board.
16. Subtract the number determined under paragraph 10 from the number determined under paragraph 11.
17. Multiply the amount determined under paragraph 16 by the benchmark area requirement per pupil of 9.29 metres squared.
18. Multiply the product determined under paragraph 17 by the benchmark construction cost of \$120.77 per metre squared.
19. Multiply the product determined under paragraph 18 by the geographic adjustment factor set out in Column 3 of Table 14 opposite the name of the board.
20. Multiply the number determined under paragraph 19 by 0.37.
21. Multiply the number determined under paragraph 9 by the benchmark area requirement per pupil of 9.29 metres squared.
22. Multiply the product determined under paragraph 21 by the pre-September, 2004, benchmark construction cost of \$118.40 per metre squared.
23. Multiply the sum determined under paragraph 22 by the geographic adjustment factor set out in Column 2 of Table 14 opposite the name of the board.
24. Determine the 2005-2006 day school average daily enrolment of secondary school pupils of the board.
25. Subtract the secondary capacity for the board, in terms of pupil places, as determined under subsection (15), from the number determined under paragraph 24. If the difference is negative, the number determined under this paragraph is zero.
26. Add to the number determined under paragraph 25 the sum of all numbers, if any, each of which is the number of the board's new pupil places to meet secondary enrolment pressures for a secondary school of the board, as calculated for the purposes of determining the amount for the board for new pupil places for a prior school board fiscal year.
27. Add to the sum determined under paragraph 26 the sum of the numbers of new secondary pupil places for the capital transitional adjustment set out in Column 5 of Table 12 of the 2004-2005 grant regulation opposite the name of the board in Column 1 of that Table.
28. Subtract the number determined in respect of the board under paragraph 17 of subsection 37 (10) of the 2003-2004 grant regulation from the number determined in respect of the board under paragraph 18.2 of that subsection of that regulation. If the difference is negative, it is deemed to be zero.
29. Add the numbers determined under paragraphs 27 and 28.
30. Add to the number determined under paragraph 29 the number, if any, of the board's new pupil places in respect of its secondary schools for which the cost of repair is prohibitive as calculated for the purposes of determining the amount for the board for new pupil places for a prior school board fiscal year.
31. If the number determined under paragraph 25 is zero, add to the number determined under paragraph 30 the number, if any, of the board's new pupil places to meet secondary enrolment pressures as determined under subsection (13).
32. Take the number of new pupil places for secondary school pupils that the board reports, by August 31, 2005, as having been constructed by September 30, 2003 and financed in whole or in part with amounts calculated for the board under

a predecessor of this subsection. For the purpose, a new pupil place shall be determined by the board in accordance with the Instruction Guide, dated 2002 and available electronically through the public access link at [sfis.edu.gov.on.ca](http://sfis.edu.gov.on.ca) and in hard copy at the offices of the Education Finance Branch of the Ministry of Education, Mowat Block, 900 Bay Street, 21st Floor, Toronto, Ontario, M7A 1L2. The board shall make the report on a form approved by the Minister.

33. Take the least of,
  - i. the number determined under paragraph 30,
  - ii. if applicable, the number determined under paragraph 31, and
  - iii. the number of secondary pupil places that have been constructed or for which the board has awarded a tender for construction before September 30, 2005.
34. Take the least of,
  - i. the number determined under paragraph 30,
  - ii. if applicable, the number determined under paragraph 31, and
  - iii. the number of secondary pupil places that have been constructed or for which the board has awarded a tender for construction before March 31, 2006.
35. Subtract the number determined under paragraph 32 from the number determined under paragraph 33. If the difference is negative, it is deemed to be zero.
36. Multiply the amount determined under paragraph 35 by the benchmark area requirement per pupil of 12.07 metres squared.
37. Multiply the product determined under paragraph 36 by the benchmark construction cost of \$131.75 per metre squared.
38. Multiply the product determined under paragraph 37 by the geographic adjustment factor set out in Column 3 of Table 14 opposite the name of the board.
39. Subtract the number determined under paragraph 33 from the number determined under paragraph 34.
40. Multiply the amount determined under paragraph 39 by the benchmark area requirement per pupil of 12.07 metres squared.
41. Multiply the product determined under paragraph 40 by the benchmark construction cost of \$131.75 per metre squared.
42. Multiply the sum determined under paragraph 41 by the geographic adjustment factor set out in Column 3 of Table 14 opposite the name of the board.
43. Multiply the amount determined under paragraph 42 by 0.37.
44. Multiply the number determined under paragraph 32 by the benchmark area requirement per pupil of 12.07 metres squared.
45. Multiply the product determined under paragraph 44 by the pre-September, 2004 benchmark construction cost of \$129.17 per metre squared.
46. Multiply the sum determined under paragraph 45 by the geographic adjustment factor set out in Column 2 of Table 14 opposite the name of the board.
47. Take the sum of the amount, if any, calculated in respect of the board under paragraph 35 of subsection 37 (10) of the 2004-2005 grant regulation and the amounts determined under paragraphs 15, 20, 23, 38, 43 and 46.

(11) The number, if any, of the board's new pupil places to meet elementary enrolment pressures is the sum of the numbers calculated under subsection (12) for each elementary school of the board in respect of which the conditions in the following paragraphs are satisfied:

1. The 2004-2005 enrolment of the school exceeded by at least 100 the sum of,
  - i. the 2004-2005 reported capacity of the school, and
  - ii. the number of the board's new pupil places to meet the elementary enrolment pressure for the school calculated under subsection 37 (12) of the 2004-2005 grant regulation.
2. The 2003-2004 enrolment of the school exceeded by at least 100 the sum of,
  - i. the 2003-2004 reported capacity of the school, and



- ii. the number of the board's new pupil places to meet the elementary enrolment pressure for the school calculated under subsection 37 (12) of the 2003-2004 grant regulation.
3. The number of the board's new pupil places to meet the elementary enrolment pressure that would be determined for the school under subsection (12) exceeds the amount calculated using the formula,

$$A - B$$

in which,

"A" is the sum of the 2004-2005 reported capacities of all other elementary schools of the board located not more than eight kilometres by road from the school and the total of all amounts calculated under subsection 37 (11) of the 2004-2005 grant regulation in respect of those other schools, and

"B" is the sum of the 2004-2005 enrolment of the other schools referred to in "A".

4. The school is not listed in Table 10 of Ontario Regulation 156/02 (Student Focused Funding — Legislative Grants for the 2002-2003 School Board Fiscal Year) made under the Act or in Table 10 of the 2003-2004 grant regulation.

(12) The number of the board's new pupil places to meet the elementary enrolment pressure for each elementary school is the average of,

- (a) the amount by which the 2004-2005 enrolment of the school exceeded the sum of,
  - (i) the 2004-2005 reported capacity of the school, and
  - (ii) the number of the board's new pupil places to meet the elementary enrolment pressure for the school calculated under subsection 37 (11) of the 2004-2005 grant regulation; and
- (b) the amount by which the 2003-2004 enrolment of the school exceeded the sum of,
  - (i) the 2003-2004 reported capacity of the school, and
  - (ii) the number of the board's new pupil places to meet the elementary enrolment pressure for the school calculated under subsection 37 (12) of the 2003-2004 grant regulation.

(13) The number, if any, of the board's new pupil places to meet secondary enrolment pressures is the sum of the numbers calculated under subsection (14) for each secondary school of the board in respect of which the conditions in the following paragraphs are satisfied:

- 1. The 2004-2005 enrolment of the school exceeded by at least 100 the sum of,
  - i. the 2004-2005 reported capacity of the school, and
  - ii. the number of the board's new pupil places to meet the secondary enrolment pressure for the school calculated under subsection 37 (14) of the 2004-2005 grant regulation.
- 2. The 2003-2004 enrolment of the school exceeded by at least 100 the sum of,
  - i. the 2003-2004 reported capacity of the school, and
  - ii. the number of the board's new pupil places to meet the secondary enrolment pressure for the school calculated under subsection 37 (14) of the 2003-2004 grant regulation.
- 3. The number of the board's new pupil places to meet the secondary enrolment pressure that would be determined for the school under subsection (14) exceeds the amount calculated using the formula,

$$A - B$$

in which,

"A" is the sum of the 2004-2005 reported capacities of all other secondary schools of the board located not more than 32 kilometres by road from the school and the total of all amounts calculated under subsection 37 (14) of the 2003-2004 grant regulation in respect of those other schools, and

"B" is the sum of the 2003-2004 enrolment of the other schools referred to in "A".

4. The school is not listed in Table 10 of Ontario Regulation 156/02 (Student Focused Funding — Legislative Grants for the 2002-2003 School Board Fiscal Year) made under the Act or in Table 10 of the 2003-2004 grant regulation.

(14) The number of the board's new pupil places to meet the secondary enrolment pressure for each secondary school is the average of,

- (a) the amount by which the 2004-2005 enrolment of the school exceeded the sum of,
  - (i) the 2004-2005 reported capacity of the school, and

- (ii) the number of the board's new pupil places to meet the secondary enrolment pressure for the school calculated under subsection 37 (14) of the 2004-2005 grant regulation; and
- (b) the amount by which the 2003-2004 enrolment of the school exceeded the sum of,
  - (i) the 2003-2004 reported capacity of the school, and
  - (ii) the number of the board's new pupil places to meet the secondary enrolment pressure for the school calculated under subsection 37 (14) of the 2003-2004 grant regulation.
- (15) For the purposes of paragraphs 2 and 25 of subsection (10), the elementary capacity and secondary capacity for the board are, respectively, the elementary capacity and secondary capacity determined for the board under the 2004-2005 grant regulation subject to the adjustments set out in subsections (18), (19), (21), (22), (26), (27), (29), (30), (32) to (37), (39) and (41).
- (16) The Minister shall determine loadings and categories of instructional space as follows:
  1. The Minister shall identify categories of instructional space for all elementary facilities and secondary facilities of the board. In identifying categories of instructional space, the Minister shall use the categories identified in the Report of the Pupil Accommodation Review Committee, dated August, 1998, which Report was released by the Ministry to school boards in September, 1998, and is available for public inspection at the offices of the Education Finance Branch of the Ministry of Education, Mowat Block, 900 Bay Street, 21st Floor, Toronto, Ontario, M7A 1L2. Where the Report does not include an appropriate category for an instructional space, the Minister shall identify the category of that space in a manner that is consistent with the categorizations in the Report.
  2. The Minister shall assign a loading to each category of instructional space identified under paragraph 1, based on the number of pupils that can reasonably be accommodated in each category of instructional space. In determining the number, the Minister shall consider the physical characteristics of the category of instructional space and the class size requirements under the Act.
- (17) Subsection (18) or (19) applies in relation to an elementary facility or secondary facility of a board if, on or after January 1, 2004 and before February 17, 2005, the board issued a proposal under Ontario Regulation 444/98 (Disposition of Surplus Real Property) made under the Act to dispose of the facility at no cost to the Ontario Realty Corporation or to a board.
- (18) The elementary capacity determined for the board under subsection (15) is adjusted as follows:
  1. For each elementary facility of the board to which this subsection applies, apply the loadings determined under subsection (16) to the instructional spaces of the facility, as categorized under subsection (16).
  2. Total the amounts determined under paragraph 1 for elementary facilities of the board.
  3. Subtract the total determined under paragraph 2 from the elementary capacity determined for the board under subsection (15).
- (19) The secondary capacity determined for the board under subsection (15) is adjusted as follows:
  1. For each secondary facility of the board to which this subsection applies, apply the loadings determined under subsection (16) to the instructional spaces of the facility, as categorized under subsection (16).
  2. Total the amounts determined under paragraph 1 for secondary facilities of the board.
  3. Subtract the total determined under paragraph 2 from the secondary capacity determined for the board under subsection (15).
- (20) Subsection (21) or (22) applies in relation to an elementary facility or secondary facility of the board if,
  - (a) the facility is acquired by the board as a result of a proposal issued by another board on or after January 1, 2004 and before February 17, 2005 under Ontario Regulation 444/98 to dispose of the facility at no cost; and
  - (b) subsections (26) and (27) do not apply to the facility.
- (21) The elementary capacity determined for the board under subsection (15) is adjusted as follows:
  1. For each elementary facility of the board to which this subsection applies, apply the loadings determined under subsection (16) to the instructional spaces of the facility, as categorized under subsection (16).
  2. Total the amounts determined under paragraph 1 for the elementary facilities of the board.
  3. Add the total determined under paragraph 2 to the elementary capacity determined for the board under subsection (15).
- (22) The secondary capacity determined for the board under subsection (15) is adjusted as follows:
  1. For each secondary facility of the board to which this subsection applies, apply the loadings determined under subsection (16) to the instructional spaces of the facility, as categorized under subsection (16).

2. Total the amounts determined under paragraph 1 for the secondary facilities of the board.
3. Add the total determined under paragraph 2 to the secondary capacity determined for the board under subsection (15).

(23) Subsection (26) or (27) applies in relation to an elementary facility or secondary facility of the board if all of the following conditions are satisfied:

1. The facility is acquired by the board as a result of a proposal issued by another board on or after January 1, 2004 and before February 17, 2005 under Ontario Regulation 444/98 to dispose of the facility at no cost.
2. Within 30 days after offering to acquire the facility at no cost, the board notifies the Minister in writing of the offer and provides such information and material as the Minister may require to verify that the acquisition of the facility,
  - i. is consistent with the long-term accommodation plan of the board,
  - ii. would benefit the pupils of the board,
  - iii. would result in more effective use of public assets, and
  - iv. would reduce the need of the board for the construction of new school facilities.

(24) Subsection (26) applies in relation to an elementary school of the board if the school provides pupil accommodation for elementary school pupils during the fiscal year and is located in a municipality or former municipality set out in Column 2 of Table 12 of the 2004-2005 grant regulation opposite the name of the board in Column 1 of that Table and opposite a number greater than zero in Column 4 of that Table.

(25) Subsection (27) applies in relation to a secondary school of the board if the school provides pupil accommodation for secondary school pupils during the fiscal year and is located in a municipality or former municipality set out in Column 2 of Table 12 of the 2004-2005 grant regulation opposite the name of the board in Column 1 of that Table and opposite a number greater than zero in Column 5 of that Table.

(26) The elementary capacity determined for the board under subsection (15) is adjusted as follows:

1. For each elementary school to which this subsection applies, apply the loadings determined under subsection (16) to the instructional spaces of the school, as categorized under subsection (16).
2. Determine the 2005-2006 day school average daily enrolment of pupils of the board, counting only pupils enrolled in that school.
3. Take the lesser of the amounts determined for the school under paragraphs 1 and 2.
4. Total the amounts determined under paragraph 3 for each of the elementary schools to which this subsection applies.
5. Add the total determined under paragraph 4 to the elementary capacity determined for the board under subsection (15).

(27) The secondary capacity determined for the board under subsection (15) is adjusted as follows:

1. For each secondary school to which this subsection applies, apply the loadings determined under subsection (16) to the instructional spaces of the school, as categorized under subsection (16).
2. Determine the 2005-2006 day school average daily enrolment of pupils of the board, counting only pupils enrolled in that school.
3. Take the lesser of the amounts determined for the school under paragraphs 1 and 2.
4. Total the amounts determined under paragraph 3 for each of the secondary schools to which this subsection applies.
5. Add the total determined under paragraph 4 to the secondary capacity determined for the board under subsection (15).

(28) Subsection (29) or (30) applies in relation to an elementary facility or secondary facility of a board if,

- (a) in the 2004 calendar year, the board agreed with another board to dispose of the elementary facility or secondary facility of the board to the other board, in consideration for the conveyance to it of an elementary facility or secondary facility of the other board; and
- (b) before the agreement referred to in clause (a) was entered into, the Minister indicated in writing that, in his or her opinion, the transfer provided for by the agreement,
  - (i) is consistent with the long-term accommodation plans of both boards,
  - (ii) would benefit pupils of both boards,
  - (iii) would result in more effective use of public assets, and
  - (iv) would reduce the needs of both boards for the construction of new school facilities.

(29) The elementary capacity determined for the board under subsection (15) is adjusted as follows:

1. For each elementary facility of the board to which this subsection applies, apply the loadings determined under subsection (16) to the instructional spaces of the facility, as categorized under subsection (16).
  2. Total the amounts determined under paragraph 1 for elementary facilities of the board.
  3. Subtract the total determined under paragraph 2 from the elementary capacity determined for the board under subsection (15).
- (30) The secondary capacity determined for the board under subsection (15) is adjusted as follows:
1. For each secondary facility of the board to which this subsection applies, apply the loadings determined under subsection (16) to the instructional spaces of the facility, as categorized under subsection (16).
  2. Total the amounts determined under paragraph 1 for secondary facilities of the board.
  3. Subtract the total determined under paragraph 2 from the secondary capacity determined for the board under subsection (15).
- (31) Subsection (32) or (33) applies in relation to an elementary facility or secondary facility of a board acquired in the circumstances described in subsection (28).
- (32) The elementary capacity determined for the board under subsection (15) is adjusted as follows:
1. For each elementary facility of the board acquired in the circumstances described in subsection (28), apply the loadings determined under subsection (16) to the instructional spaces of the facility, as categorized under subsection (16).
  2. Determine the 2005-2006 enrolment for the facility, if any.
  3. Subtract the amount determined under paragraph 2 from the amount determined under paragraph 1. If the difference is a negative number, it is deemed to be zero.
  4. Total the amounts determined under paragraph 3 for elementary facilities of the board.
  5. Subtract the total determined under paragraph 4 from the elementary capacity determined for the board under subsection (15).
- (33) The secondary capacity determined for the board under subsection (15) is adjusted as follows:
1. For each secondary facility of the board acquired in the circumstances described in subsection (28), apply the loadings determined under subsection (16) to the instructional spaces of the facility, as categorized under subsection (16).
  2. Determine the 2005-2006 enrolment for the facility, if any.
  3. Subtract the amount determined under paragraph 2 from the amount determined under paragraph 1. If the difference is a negative number, it is deemed to be zero.
  4. Total the amounts determined under paragraph 3 for secondary facilities of the board.
  5. Subtract the total determined under paragraph 4 from the secondary capacity determined for the board under subsection (15).
- (34) If the board has an elementary facility that it acquired after December 31, 1998 and before the start of the fiscal year in circumstances described in subsection (28), the elementary capacity determined for the board under subsection (15) is adjusted as follows:
1. For each elementary facility acquired, apply the loadings determined under subsection (16) to the instructional spaces of the facility, as categorized under subsection (16).
  2. Determine the 2005-2006 enrolment for the facility, if any.
  3. Subtract the amount determined under paragraph 2 from the amount determined under paragraph 1. If the difference is a negative number, it is deemed to be zero.
  4. Total the amounts determined under paragraph 3 for each of the elementary facilities acquired.
  5. Subtract the amount determined under paragraph 4 from the total of the amounts determined for the board under the provisions comparable to this subsection in the regulations made under section 234 of the Act in respect of grants payable to boards for previous fiscal years.
  6. Add the difference determined under paragraph 5 to the elementary capacity determined for the board under subsection (15).
- (35) If the board has a secondary facility that it acquired after December 31, 1998 and before the start of the fiscal year in circumstances described in subsection (28), the secondary capacity determined for the board under subsection (15) is adjusted as follows:

1. For each secondary facility acquired, apply the loadings determined under subsection (16) to the instructional spaces of the facility, as categorized under subsection (16).
2. Determine the 2005-2006 enrolment for the facility, if any.
3. Subtract the amount determined under paragraph 2 from the amount determined under paragraph 1. If the difference is a negative number, it is deemed to be zero.
4. Total the amounts determined under paragraph 3 for each of the secondary facilities acquired.
5. Subtract the amount determined under paragraph 4 from the total of the amounts determined for the board under the provisions comparable to this subsection in the regulations made under section 234 of the Act in respect of grants payable to boards for previous fiscal years.
6. Add the difference determined under paragraph 5 to the secondary capacity determined for the board under subsection (15).

(36) The elementary capacity determined for the board under subsection (15) is adjusted by adding the number, if any, of new pupil places to meet the elementary enrolment pressures as determined under subsection (11).

(37) The secondary capacity determined for the board under subsection (15) is adjusted by adding the number, if any, of new pupil places to meet the secondary enrolment pressures as determined under subsection (13).

(38) Subsection (39) applies in relation to an elementary facility of the board described in a provision comparable to subsection (23) or (24) in the regulations made under section 234 of the Act in respect of grants payable to boards for previous fiscal years.

(39) The elementary capacity determined for the board under subsection (15) is adjusted as follows:

1. For each elementary facility to which this subsection applies, apply the loadings determined under subsection (16) to the instructional spaces of the facility, as categorized under subsection (16).
2. Determine the 2005-2006 day school average daily enrolment of pupils of the board, counting only pupils enrolled in that facility.
3. Subtract the amount determined under paragraph 2 from the amount determined under paragraph 1 for that school. If the difference is a negative number, it is deemed to be zero.
4. Total the amounts determined under paragraph 3 for each of the elementary facilities to which this subsection applies.
5. Subtract the amount determined under paragraph 4 from the total of the amounts determined for previous fiscal years for the board under provisions comparable to subsection (26) in the regulations made under section 234 of the Act in respect of grants payable to boards for previous fiscal years.
6. Add the difference determined under paragraph 5 to the elementary capacity for the board determined under subsection (15).

(40) Subsection (41) applies in relation to a secondary facility of the board described in a provision comparable to subsection (23) or (25) in the regulations made under section 234 of the Act in respect of grants payable to boards for previous fiscal years.

(41) The secondary capacity determined for the board under subsection (15) is adjusted as follows:

1. For each secondary facility to which this subsection applies, apply the loadings determined under subsection (16) to the instructional spaces of the facility, as categorized under subsection (16).
2. Determine the 2005-2006 day school average daily enrolment of pupils of the board, counting only pupils enrolled in that school.
3. Subtract the amount determined under paragraph 2 from the amount determined under paragraph 1 for that facility. If the difference is a negative number, it is deemed to be zero.
4. Total the amounts determined under paragraph 3 for each of the secondary facilities to which this subsection applies.
5. Subtract the amount determined under paragraph 4 from the total of the amounts determined for previous fiscal years for the board under the provisions comparable to subsection (27) in the regulations made under section 234 of the Act in respect of grants payable to boards for previous fiscal years.
6. Add the difference determined under paragraph 5 to the secondary capacity for the board determined under subsection (15).

(42) The amount for the board for outstanding capital commitments is determined as follows:

1. Take the number of elementary school pupil places shown in Column 2 of Table 16, opposite the name of the board.
2. Multiply the number taken under paragraph 1 by the benchmark area requirement per pupil of 9.29 metres squared.

3. Multiply the product obtained under paragraph 2 by the pre-September, 2004 benchmark construction cost of \$118.40 per metre squared.
4. Take the number of secondary school pupil places shown in Column 3 of Table 16, opposite the name of the board.
5. Multiply the number taken under paragraph 4 by the benchmark area requirement per pupil of 12.07 metres squared.
6. Multiply the product obtained under paragraph 5 by the pre-September, 2004 benchmark construction cost of \$129.17 per metre squared.
7. Add the products obtained under paragraphs 3 and 6.

(43) For the purposes of paragraph 16 of subsection (3) and paragraph 14 of subsection (9), the capacity of an elementary school is determined by applying the loadings determined under subsection (16) to the instructional spaces of the school, as categorized under subsection (16), and multiplying the result by 0.9631.

(44) For the purposes of paragraph 27 of subsection (3) and paragraph 25 of subsection (9), the capacity of a secondary school is determined by applying the loadings determined under subsection (16) to the instructional spaces of the school, as categorized under subsection (16).

(45) In this section,

“2003-2004 enrolment” means, in respect of a school operated by a board, the 2003-2004 day school average daily enrolment of pupils of the board, within the meaning of the 2003-2004 grant regulation, counting only pupils enrolled in the school; (“effectif de 2003-2004”)

“2003-2004 reported capacity” means, in respect of a school operated by a board, the school capacity as reported in Appendix C to the board’s 2003-2004 financial statements prepared and submitted to the Ministry under the Act; (“capacité d’accueil déclarée pour 2003-2004”)

“2004-2005 enrolment” means, in respect of a school operated by a board, the 2004-2005 day school average daily enrolment of pupils of the board, within the meaning of Ontario Regulation 143/04 (Calculation of Average Daily Enrolment for the 2004-2005 School Board Fiscal Year) made under the Act, counting only pupils enrolled in the school; (“effectif de 2004-2005”)

“2004-2005 reported capacity” means, in respect of a school operated by a board, the school capacity as reported in Appendix C to the board’s 2004-2005 financial statements prepared and submitted to the Ministry under the Act; (“capacité d’accueil déclarée pour 2004-2005”)

“2005-2006 enrolment” means, in respect of a school operated by a board, the 2005-2006 day school average daily enrolment of pupils of the board, counting only pupils enrolled in the school; (“effectif de 2005-2006”)

“elementary facility” means a facility that is or was an elementary school of a board; (“établissement élémentaire”)

“instructional space” means a space in a school that can reasonably be used for instructional purposes; (“aire d’enseignement”)

“secondary facility” means a facility that is or was a secondary school of a board. (“établissement secondaire”)

#### **Debt charges allocation**

**37.** (1) The amount of the debt charges allocation for a district school board for the fiscal year is the sum of,

- (a) the total amount of principal and interest paid by the board in the fiscal year in respect of the permanently financed debt of the board; and
- (b) the total amount payable in the fiscal year in respect of the financing arranged to refinance the board’s non-permanently financed debt, including the amount of any payments required to be made in the year to a reserve account or sinking fund and the amount of reasonable expenses.

(2) In this section,

“non-permanently financed debt” means, in respect of a board, the amount listed in Column 3 opposite the name of the board in Table 17; (“dette sans financement permanent”)

“permanently financed debt” means, in respect of a board, the amount that is listed in Column 2 opposite the name of the board in Table 17. (“dette avec financement permanent”)

#### **Adjustment for declining enrolment**

**38.** (1) For the purposes of this section, the 2005-2006 day school average daily enrolment of a board is,

- (a) in the case of a board that did not operate junior kindergarten in any of its schools in the 2004-2005 school board fiscal year,

- (i) subject to subclause (ii), the day school average daily enrolment for the board that would be determined under section 2 of the 2005-2006 A.D.E. regulation counting all pupils of the board other than pupils enrolled in junior kindergarten and secondary school pupils who are 21 years of age or older on December 31, 2005, and
  - (ii) for the purposes of paragraph 2 of subsection (5) only, the 2005-2006 day school average daily enrolment within the meaning of subsection 3 (1); and
- (b) in all other cases, the 2005-2006 day school average daily enrolment within the meaning of subsection 3 (1).
- (2) The amount of a district school board's adjustment for declining enrolment for the fiscal year for the purposes of section 11 is the sum of,
- (a) the amount, if any, that was determined under section 39 of the 2004-2005 grant regulation; and
  - (b) if the 2005-2006 day school average daily enrolment of pupils of the board is less than the 2004-2005 day school average daily enrolment of pupils of the board as determined under section 2 of Ontario Regulation 143/04 (Calculation of Average Daily Enrolment for the 2004-2005 School Board Fiscal Year) made under the Act, the amount, if it exceeds zero, determined in accordance with subsection (3).
- (3) The amount for the purposes of clause (2) (b) is the amount calculated using the formula,

$$[(A - B) - 0.58 (A \times C)] \times D/C$$

in which,

"A" is the amount determined in respect of the board under subsection (4),

"B" is the amount determined in respect of the board under subsection (5),

"C" is the amount determined in respect of the board under subsection (6), and

"D" is the amount determined in respect of the board under subsection (7).

(4) The amount determined under this subsection in respect of a board is the sum of the following amounts determined for the board for its 2004-2005 fiscal year under the 2004-2005 grant regulation:

1. The foundation allocation for the fiscal year.
2. The enrolment-based special education amount for the fiscal year.
3. In the case of a French-language district school board, the French as a first language amount included in the board's language allocation for the fiscal year.
4. The remote and rural allocation for the fiscal year.
5. The early learning assistance amount included in the board's learning opportunities allocation for the fiscal year.
6. The early learning allocation for the fiscal year.
7. The administration and governance allocation for the fiscal year.
8. The sum of the amounts determined under paragraphs 15, 17, 19, 21 and 23 of subsection 37 (3) of the 2004-2005 grant regulation less the amount determined using the following formula:

$$(A \times B) \times 9.29 \times \$61.61$$

in which,

"A" is the number calculated in respect of the board under paragraph 7 of subsection 37 (3) of the 2004-2005 grant regulation, and

"B" is the supplementary continuing education and other programs area factor approved by the Minister in respect of the board under subsection 37 (6) of the 2004-2005 grant regulation.

(5) The amount determined under this subsection in respect of a board is the amount calculated in respect of the board's 2005-2006 fiscal year as follows:

1. Add,
  - i. the foundation allocation for the fiscal year,
  - ii. the enrolment-based special education amount for the fiscal year,
  - iii. in the case of a French-language district school board, the French as a first language amount included in the board's language allocation for the fiscal year,
  - iv. the remote and rural allocation for the fiscal year,

- v. the early learning assistance amount included in the board's learning opportunities allocation for the fiscal year,
- vi. the administration and governance allocation for the fiscal year, and
- vii. the sum of the amounts determined under paragraphs 15, 17, 21, 26, 28, 32 and 37 of subsection 36 (3), less the amount determined using the following formula:

$$(A \times B) \times 9.29 \times \$62.84$$

in which,

“A” is the number calculated in respect of the board under paragraph 7 of subsection 36 (3), and

“B” is the supplementary continuing education and other programs area factor approved by the Minister in respect of the board under subsection 36 (6).

2. Subtract from the total determined under paragraph 1, the product of the 2005-2006 day school average daily enrolment of pupils of the board and the amount shown in Column 2 of Table 18 opposite the name of the board in Column 1 of that Table.

(6) The amount determined under this subsection in respect of a board is the amount calculated using the following formula,

$$1 - E/F$$

in which,

“E” is the 2005-2006 day school average daily enrolment of pupils of the board,

“F” is the 2004-2005 day school average daily enrolment of pupils of the board, as determined under section 2 of Ontario Regulation 143/04 (Calculation of Average Daily Enrolment for the 2004-2005 School Board Fiscal Year) made under the Act, and

“E/F” is rounded to five decimal points.

(7) The amount under this subsection in respect of a board is determined as follows:

1. If the amount determined in respect of the board under subsection (6) does not exceed 0.0025, the amount determined under this subsection in respect of the board is calculated using the formula,

$$0.5 \times C$$

in which

“C” is the amount determined in respect of the board under subsection (6).

2. If the amount determined in respect of the board under subsection (6) is greater than 0.0025 but does not exceed 0.015, the amount determined under this subsection in respect of the board is calculated using the formula,

$$(C - 0.0025) + 0.00125$$

in which

“C” is the amount determined in respect of the board under subsection (6).

3. If the amount determined in respect of the board under subsection (6) is greater than 0.015, the amount determined under this subsection in respect of the board is calculated using the formula,

$$1.5 \times (C - 0.015) + 0.01375$$

in which

“C” is the amount determined in respect of the board under subsection (6).

#### **Compliance**

**39.** Every district school board shall manage its estimates process and its expenditures so as to ensure compliance with the requirements of sections 40 to 44.

#### **Enveloping, classroom expenditures**

**40.** (1) For the purposes of this section,

- (a) an expenditure by a board is a classroom expenditure if it is categorized as a classroom expenditure in the Ministry's Uniform Code of Accounts, dated June 8, 2005, and available for public inspection at the offices of the Education Finance Branch of the Ministry of Education, Mowat Block, 900 Bay Street, 21st Floor, Toronto, Ontario, M7A 1L2; and



- (b) an expenditure by a board is a non-classroom expenditure if it is categorized as a non-classroom expenditure in the Ministry's Uniform Code of Accounts, dated June 8, 2005, and available for public inspection at the offices of the Education Finance Branch of the Ministry of Education, Mowat Block, 900 Bay Street, 21st Floor, Toronto, Ontario, M7A 1L2.
- (2) Subject to subsection (7), a district school board shall ensure that its net classroom expenditure amount for the fiscal year, calculated in accordance with subsection (3), is at least equal to its classroom expenditure allocation amount for the fiscal year, calculated in accordance with subsection (5).
- (3) The net classroom expenditure amount for a board for the fiscal year is determined as follows:
1. Determine the total amount of the board's classroom expenditures in the fiscal year.
  2. Subtract the amount determined for the board under subsection (4), on account of classroom-related revenue from sources other than legislative grants and school taxes.
  3. Add the part of the amount that is in the board's reserve fund under subsection 233 (1) of the Act on August 31, 2006, before the transfer under subsection 233 (2) of the Act, that is attributable to classroom expenditures.
- (4) The amount on account of classroom-related revenue from sources other than legislative grants and school taxes for the board is the total of the following amounts:
1. The percentage of the board's revenue under sections 3, 5 and 6 of the 2005-2006 fees regulation that the board reports to the Ministry, in its annual financial statements for the 2005-2006 school board fiscal year, is classroom-related revenue.
  2. The total of the amounts spent on classroom expenditures from reserves of the board in the fiscal year.
  3. The amount of revenue from other sources received by the board in the fiscal year, other than revenue referred to in paragraph 1, that is spent in the fiscal year on expenditures that are classroom expenditures within the meaning of this section.
- (5) The classroom expenditure allocation amount for a board for the fiscal year is determined as follows:
1. Multiply the percentage specified in Column 2 of Table 19 for foundation allocation by the board's base amount for elementary school pupils.
  2. Multiply the percentage specified in Column 3 of Table 19 for foundation allocation by the board's base amount for secondary school pupils.
  3. Take the part of the board's primary class size allocation that is attributable to classroom expenditure.
  4. Determine an amount for the board on account of Native language and French as a first or second language for elementary school pupils, as follows:
    - i. In the case of an English-language district school board, total the amount of the board's French as a second language amount for elementary school pupils and the board's Native language amount for elementary school pupils for the year.
    - ii. In the case of a French-language district school board, total the amounts determined for the board under paragraphs 1 and 3 of section 27 and the board's Native language amount for elementary school pupils of the board for the year.
  5. Apply the percentage specified in Column 2 of Table 19 for Native language and French as a first or second language to the amount determined for the board under paragraph 4.
  6. Determine an amount for the board on account of Native language and French as a first or second language for secondary school pupils, as follows:
    - i. In the case of an English-language district school board, total the board's French as a second language amount for secondary school pupils and the board's Native language amount for secondary school pupils for the year.
    - ii. In the case of a French-language district school board, total the amount determined for the board under paragraph 2 of section 27 and the board's Native language amount for secondary school pupils of the board for the year.
  7. Apply the percentage specified in Column 3 of Table 19 for Native language and French as a first or second language to the amount determined for the board under paragraph 6.
  8. Determine an amount on account of ESL/ESD/PDF for elementary school pupils of the board by, in the case of a French-language district school board, taking the portion of the PDF funding level for the board generated by elementary school pupils and, in the case of an English-language district school board, as follows:
    - i. Divide the amount set out in Column 2 of Table 1 opposite the name of the board by the 2005-2006 day school average daily enrolment of pupils of the board and multiply the result by the 2005-2006 day school average daily enrolment of elementary school pupils of the board.

- ii. Subtract the amount set out in Column 2 of Table 1 opposite the name of the board from the ESL/ESD amount for the board.
  - iii. Add the amount determined in subparagraph i to the portion of the amount determined in subparagraph ii that is generated by elementary school pupils of the board.
9. Apply the percentage specified in Column 2 of Table 19 for ESL/ESD/PDF to the amount determined for the board under paragraph 8.
10. Determine an amount on account of ESL/ESD/PDF for secondary school pupils of the board by, in the case of a French-language district school board, taking the portion of the PDF funding level for the board generated by secondary school pupils and, in the case of an English-language district school board, as follows:
  - i. Divide the amount set out in Column 2 of Table 1 opposite the name of the board by the 2005-2006 day school average daily enrolment of pupils of the board and multiply the result by the 2005-2006 day school average daily enrolment of secondary school pupils of the board.
  - ii. Subtract the amount set out in Column 2 of Table 1 opposite the name of the board from the ESL/ESD amount for the board.
  - iii. Add the amount determined in subparagraph i to the portion of the amount determined in subparagraph ii that is generated by secondary school pupils of the board.
11. Apply the percentage specified in Column 3 of Table 19 for ESL/ESD/PDF to the amount determined for the board under paragraph 10.
12. If the board is a French-language district school board, determine an amount for the board on account of ALF for elementary school pupils as follows:
  - i. Divide \$86,745.90 by the 2005-2006 day school average daily enrolment of pupils of the board and multiply the quotient by the 2005-2006 day school average daily enrolment of elementary school pupils of the board.
  - ii. Add the amount determined under paragraph 2 of subsection 28 (2) to the amount determined in subparagraph i.
  - iii. Add the amount determined under paragraph 3 of subsection 28 (2) to the amount determined under subparagraph ii.
13. Multiply the amount determined for the board under paragraph 12 by the percentage specified in Column 2 of Table 19 for ALF.
14. If the board is a French-language district school board, determine an amount for the board on account of ALF for secondary school pupils as follows:
  - i. Divide \$86,745.90 by the 2005-2006 day school average daily enrolment of pupils of the board and multiply the quotient by the 2005-2006 day school average daily enrolment of secondary school pupils of the board.
  - ii. Add the amount determined under paragraph 5 of subsection 28 (2) to the amount determined in subparagraph i.
  - iii. Add the amount determined under paragraph 6 of subsection 28 (2) to the amount determined under subparagraph ii.
15. Multiply the amount determined for the board under paragraph 14 by the percentage specified in Column 3 of Table 19 for ALF.
16. Take the elementary school teacher qualification and experience allocation determined under subsection 33 (12).
17. Divide the amount set out in Column 2 of Table 9 opposite the name of the board by the 2005-2006 day school average daily enrolment of pupils of the board.
18. Multiply the amount determined under paragraph 17 by the 2005-2006 day school average daily enrolment of elementary school pupils of the board.
19. Take the part of the amount determined under paragraph 18 that is attributable to classroom expenditure.
20. Take the secondary school teacher qualification and experience allocation determined under subsection 33 (13).
21. Divide the amount set out in Column 2 of Table 9 opposite the name of the board by the 2005-2006 day school average daily enrolment of pupils of the board.
22. Multiply the amount determined under paragraph 21 by the 2005-2006 day school average daily enrolment of secondary school pupils of the board.
23. Take the part of the amount determined under paragraph 22 that is attributable to classroom expenditure.
24. Take the part of the board's special education allocation that is generated by elementary school pupils of the board and that is attributable to classroom expenditure.

25. Take the part of the board's special education allocation that is generated by secondary school pupils of the board and that is attributable to classroom expenditure.
26. Determine an amount as follows:
  - i. Take the total of the amounts determined for each distant elementary school of the board under paragraph 1 of subsection 29 (3) of the 2003-2004 grant regulation.
  - ii. Add the total of the amounts, if any, set out in Column 8 of Table 4 opposite both the name of an elementary school in Column 3 and the name of the board in Column 1.
  - iii. Subtract the total of the amounts, if any, set out in Column 8 of Table 3 opposite both the name of an elementary school in Column 3 and the name of the board in Column 1.
  - iv. Subtract the amount set out in Column 2 of Table 20 opposite the name of the board in Column 1.
  - v. Take the part of the amount determined under subparagraph iv that is attributable to classroom expenditure.
27. Determine an amount as follows:
  - i. Take the total of the amounts determined for each distant secondary school of the board under paragraph 2 of subsection 29 (3) of the 2003-2004 grant regulation.
  - ii. Add the total of the amounts, if any, set out in Column 8 of Table 4 opposite both the name of a secondary school in Column 4 and the name of the board in Column 1.
  - iii. Subtract the total of the amounts, if any, set out in Column 8 of Table 3 opposite both the name of an secondary school in Column 4 and the name of the board in Column 1.
  - iv. Take the part of the amount determined under subparagraph iii that is attributable to classroom expenditure.
28. Divide the board's remote and rural allocation for the year by the 2005-2006 day school average daily enrolment of pupils of the board and multiply the result by the 2005-2006 day school average daily enrolment of elementary school pupils of the board.
29. Apply the percentage specified in Column 2 of Table 19 for the remote and rural allocation to the amount determined for the board under paragraph 28.
30. Divide the board's remote and rural allocation for the year by the 2005-2006 day school average daily enrolment of pupils of the board and multiply the result by the 2005-2006 day school average daily enrolment of secondary school pupils of the board.
31. Apply the percentage specified in Column 3 of Table 19 for the remote and rural allocation to the amount determined for the board under paragraph 30.
32. Add the amount determined for the board under paragraph 1 of subsection 31 (1) to the amount calculated for the board for the fiscal year under paragraph 4 of subsection 31 (4).
33. Add together,
  - i. the product determined by multiplying the amount determined under paragraph 32 by the quotient obtained by dividing the 2005-2006 day school average daily enrolment of elementary school pupils of the board by the 2005-2006 day school average daily enrolment of pupils of the board,
  - ii. the sum of the amounts determined for the board for the fiscal year under paragraphs 2 and 8 of subsection 31 (4), and
  - iii. the product determined by multiplying \$126 by the 2005-2006 day school average daily enrolment of elementary school pupils of the board, counting only pupils enrolled in junior kindergarten, kindergarten and grades 1 to 3.
34. Apply the percentage specified in Column 2 of Table 19 for learning opportunities to the sum determined under paragraph 33.
35. Multiply the sum determined under paragraph 32 by the quotient obtained by dividing the 2005-2006 day school average daily enrolment of secondary school pupils of the board by the 2005-2006 day school average daily enrolment of pupils of the board.
36. Add,
  - i. the amount determined under paragraph 35, and
  - ii. the sum of the amounts determined for the board for the fiscal year under paragraphs 1 and 6 of subsection 31 (4).
37. Apply the percentage specified in Column 3 of Table 19 for learning opportunities to the sum determined under paragraph 36.

38. Multiply the enrolment number determined for the board under paragraph 1 of subsection 32 (1) by \$2,528, to determine an adult day school amount for the board.
  39. Apply the percentage specified in Column 3 of Table 19 for adult day school to the amount determined for the board under paragraph 38.
  40. Total the amounts determined for the board under paragraphs 1, 3, 5 and 9, paragraph 13, if applicable, and paragraphs 16, 19, 24, 26, 29 and 34.
  41. Total the amounts determined for the board under paragraphs 2, 7 and 11, paragraph 15, if applicable, and paragraphs 20, 23, 25, 27, 31, 37 and 39.
  42. Multiply the amount by which the amount determined in respect of the board under clause 45 (a) exceeds the amount determined in respect of the board under clause 45 (b) by the ratio of the 2005-2006 day school average daily enrolment of elementary school pupils of the board to the 2005-2006 day school average daily enrolment of pupils of the board.
  43. Multiply the amount determined under paragraph 42 by the percentage specified in Column 2 of Table 19 for foundation allocation.
  44. Deduct the amount determined under paragraph 43 from the amount determined under paragraph 40.
  45. Multiply the amount by which the amount determined in respect of the board under clause 45 (a) exceeds the amount determined in respect of the board under clause 45 (b) by the ratio of the 2005-2006 day school average daily enrolment of secondary school pupils of the board to the 2005-2006 day school average daily enrolment of pupils of the board.
  46. Multiply the amount determined under paragraph 45 by the percentage specified in Column 3 of Table 19 for foundation allocation.
  47. Deduct the amount determined under paragraph 46 from the amount determined under paragraph 41.
  48. Calculate the sum of the amounts determined for the board under paragraphs 44 and 47.
  49. Add to the amount determined under paragraph 48 the portion of the board's flexibility fund, if any,
    - i. that is not allocated under paragraph 2 of subsection 44 (2), and
    - ii. that is allocated by the board to the classroom expenditure allocation amount for the fiscal year.
- (6) If a board's classroom expenditure allocation for the fiscal year, calculated in accordance with subsection (5), exceeds its net classroom expenditure amount for the fiscal year, calculated in accordance with subsection (3), the board is deemed to be in compliance with subsection (2) if it can demonstrate in the School Board Estimates submitted to the Ministry under clause 231 (11) (c) of the Act that the excess is accounted for by reason of,
- (a) amounts placed in a reserve fund for classroom expenditures; or
  - (b) expenditures other than non-classroom expenditures.
- (7) For the purposes of subsection (6),
- (a) the percentage of any amount placed in the board's special education reserve fund in the fiscal year that the board reports as a classroom expenditure in its annual financial statements to the Ministry is treated as an amount placed in a reserve fund for classroom expenditures for the purposes of clause (6) (a);
  - (b) the percentage of any amount placed in the board's distant schools reserve fund in the fiscal year that the board reports as a classroom expenditure in its annual financial statements to the Ministry is treated as an amount placed in a reserve fund for classroom expenditures for the purposes of clause (6) (a); and
  - (c) an amount paid on account of a part of a deficit from a previous year if the part of the deficit is attributable to classroom expenditures is not a non-classroom expenditure for the purposes of clause (6) (b).

**Required spending, special education**

**41.** (1) Subject to subsection (2), a district school board shall ensure that the amount it spends in the fiscal year on special education for pupils of the board is not less than the amount of the board's special education allocation for the fiscal year.

(2) If a board's net expenditure on special education for its pupils in the fiscal year is less than the amount required under subsection (1), the board shall place the difference in the board's special education reserve fund.

(3) For the purposes of this section, a board's net expenditure on special education in the fiscal year is determined as follows:

1. Add the part of the amount that is in the board's reserve fund under subsection 233 (1) of the Act on August 31, 2006, immediately before the transfer under subsection 233 (2) of the Act, that is attributable to special education to the board's expenditure on special education for its pupils in the 2005-2006 fiscal year.

2. Deduct the following amounts from the amount determined under paragraph 1:
  - i. The amount of any transfers from the board's special education reserve fund in the fiscal year.
  - ii. The amounts of any other transfers from reserves in the fiscal year that were applied against the board's expenditure on special education for its pupils.
  - iii. Any revenue from other sources received by the board in the fiscal year that is spent by the board in the fiscal year on special education for its pupils.
- (4) This section shall not be interpreted as limiting the amount that a board may spend on special education.

**Amounts spent by district school board in respect of distant schools and rural schools**

**42.** (1) Subject to subsection (2), a district school board shall ensure that the amount it spends in the fiscal year for the purposes set out in subsection (4) in respect of distant schools of the board and rural schools of the board is not less than the sum of,

- (a) the amount determined by subtracting the total of the amounts determined under subsections 29 (2) and (3) from the distant schools and rural schools allocation for the board; and
- (b) the sum of the amounts determined in respect of the board under paragraphs 21, 26, 31 and 37 of subsection 36 (3).

(2) If a board's net expenditure on distant schools and rural schools of the board in the fiscal year is less than the amount required under subsection (1), the board shall place the difference in the board's distant schools and rural schools reserve fund.

(3) For the purpose of this section, a board's net expenditure on distant schools and rural schools of the board in the fiscal year is determined as follows:

1. Add the part of the amount that is in the board's reserve fund under subsection 233 (1) of the Act on August 31, 2006, immediately before the transfer under subsection 233 (2) of the Act, that is attributable to expenditures for the purposes set out in subsection (4) in respect of distant schools and rural schools of the board to the board's expenditures for the purposes set out in subsection (4) in respect of distant schools and rural schools of the board.
2. Deduct the following amounts from the amount determined under paragraph 1:
  - i. The amount of any transfers from the board's distant schools and rural schools reserve fund in the fiscal year.
  - ii. The amounts of any other transfers from reserves in the fiscal year that were applied for the purposes set out in subsection (4) in respect of distant schools and rural schools of the board.
  - iii. Any revenue from other sources received by the board in the fiscal year that is spent by the board in the fiscal year for the purposes set out in subsection (4) in respect of distant schools and rural schools of the board.

(4) The purposes referred to in subsection (3) are the following:

1. To ensure sufficient teaching staff to provide quality curriculum.
2. To provide for full-time adult presence.
3. To acquire learning resources and materials.
4. To meet the operational costs of distant schools and rural schools.

(5) This section shall not be interpreted as limiting the amount that a board may spend for the purposes set out in subsection (4) in respect of distant schools and rural schools of the board.

(6) For the purposes of this section, distant school has the same meaning as in subsection 29 (1) of the 2003-2004 grant regulation.

**Required spending, capital assets**

**43.** (1) Subject to subsection (2), a district school board shall ensure that an amount equal to the total of the following amounts determined for the board under section 36 is spent in the fiscal year on the acquisition of capital assets:

1. The amount for school renewal.
2. The amount for new pupil places.
3. The amount for outstanding capital commitments.

(2) If a board's net expenditure in the fiscal year on the acquisition of capital assets is less than the total amount determined under subsection (1), the board shall place the difference in the board's pupil accommodation allocation reserve fund.

(3) For the purposes of this section, a board's net expenditure in the fiscal year on the acquisition of capital assets is determined by deducting the following amounts from its expenditures in the fiscal year on the acquisition of capital assets:

1. The amounts of any transfers in the fiscal year from the pupil accommodation allocation reserve fund.
  2. The amounts of any transfers in the fiscal year from the proceeds of disposition reserve fund that were applied in the fiscal year against expenditures for the acquisition of capital assets.
  3. The amounts of any transfers in the fiscal year from other reserves, other than education development charge reserve funds, that were applied in the fiscal year against expenditures for the acquisition of capital assets.
  4. Any revenue from other sources received by the board in the fiscal year that is spent by the board in the fiscal year on the acquisition of capital assets.
- (4) This section shall not be interpreted as limiting the amount that a board may spend on the acquisition of capital assets.

**Maximum administration and governance expenditures**

**44.** (1) A district school board shall ensure that its net administration and governance expenditures in the fiscal year do not exceed its administration and governance limit.

- (2) The amount of the board's administration and governance limit for the fiscal year is the amount determined as follows:
1. Subtract the board's administration and governance expenditures for the fiscal year from the board's administration and governance allocation for the fiscal year.
  2. Add to the amount determined in paragraph 1 the portion of the board's flexibility fund,
    - i. that is not allocated under paragraph 49 of subsection 40 (5), and
    - ii. that is allocated by the board to the administration and governance limit.

(3) For the purposes of this section,

- (a) an expenditure by a board is an administration expenditure if it is an expenditure categorized in the Ministry's Uniform Code of Accounts as an administration expenditure; and
- (b) an expenditure by a board is a governance expenditure if it is an expenditure categorized in the Ministry's Uniform Code of Accounts as a governance expenditure.

(4) For the purposes of this section, a board's net administration and governance expenditures in the fiscal year is determined as follows:

1. Determine the sum of the administration expenditures made by the board in the fiscal year and the governance expenditures made by the board in the fiscal year.
2. Add the part of the amount that is in the board's reserve fund under subsection 233 (1) of the Act on August 31, 2006, before the transfer under subsection 233 (2) of the Act, that is attributable to administration and governance to the amount determined under paragraph 1.
3. Deduct the following amounts from the amount determined under paragraph 2:
  - i. The amounts of any transfers from reserves in the fiscal year that were applied against the board's administration expenditures or governance expenditures.
  - ii. Any revenue from other sources received by the board in the fiscal year that is spent by the board in the fiscal year on board administration expenditures or governance expenditures.

**Flexibility fund**

**45.** The amount of a district school board's flexibility fund for the fiscal year is the greater of,

- (a) the amount of the board's flexibility fund for its 2004-2005 fiscal year, as determined under section 46 of the 2004-2005 grant regulation; and
- (b) the sum of the board's local priorities amount for its 2005-2006 fiscal year, as determined under subsection 13 (3), and the adjustment for declining enrolment, if any, determined under section 38.

**PART III  
GRANTS TO SCHOOL AUTHORITIES**

**Grants to isolate boards**

**46.** (1) For the purposes of this section, the approved expenditure of an isolate board is the expenditure that is acceptable to the Minister as shown on the forms provided by the Ministry to the isolate board for the purpose of calculating its 2005-2006 legislative grant.

(2) In making determinations for the purposes of subsection (1), the Minister shall apply the funding formula on which the provisions of this Regulation relating to grants to district school boards is based, with such adaptations as the Minister considers advisable to take account of characteristics particular to isolate boards.

(3) For the purposes of this section, the 2005-2006 tax revenue of an isolate board is determined as follows:

1. Add:

- i. 38 per cent of the sum of,
  - A. the total of the amounts distributed to the board in respect of the 2005 calendar year under subsections 237 (12) and 238 (2), section 239, subsection 240 (5), sections 250 and 251 and subsections 257.8 (2) and 257.9 (1) of the *Education Act*, under sections 447.20 and 447.52 of the *Municipal Act* as made applicable by section 474 of the *Municipal Act, 2001*, under subsections 364 (22) and 365.2 (16) of the *Municipal Act, 2001*, under section 10 of Ontario Regulation 509/98 (Tax Matters — Relief in Unorganized Territory (Section 257.2.1 of the Act) made under the Act and under subsection 13 (2) of Ontario Regulation 3/02 (Tax Relief in Unorganized Territory for 2001 and Subsequent Years) made under the Act,
  - B. the amounts, if any, referred to in subsection 364 (22) of the *Municipal Act, 2001*, as made applicable by section 257.12.3 of the *Education Act*, that are paid to the board in respect of the 2005 calendar year,
  - C. the total of all amounts, if any, paid to the board in respect of the 2005 calendar year by a municipality under subsection 353 (4) or subsection 366 (3) of the *Municipal Act, 2001*,
  - D. the amounts, if any, applied by the board against the cancellation price of land sold for tax arrears in the 2005 calendar year under section 380 of the *Municipal Act, 2001*, as made applicable by subsection 371 (2) of that Act,
  - E. the payments in lieu of taxes distributed to the board in respect of the 2005 calendar year under subsection 322 (1) of the *Municipal Act, 2001*,
  - F. the grants, if any, made to the board in respect of the 2005 calendar year under subsection 302 (2) of the *Municipal Act, 2001*,
  - G. the amounts, if any, received by the board in respect of the 2005 calendar year under the *Payments in Lieu of Taxes Act* (Canada) or under any Act of Canada that permits a payment to be made by a government or a government agency in lieu of taxes on real property, and
  - H. the amounts, if any, paid to the board in respect of the 2005 calendar year under subsection 9 (2) or (4) of the *Tax Incentive Zones Act (Pilot Projects), 2002*, and
- ii. 62 per cent of the sum of,
  - A. the total of the amounts distributed to the board in respect of the 2006 calendar year under subsections 237 (12) and 238 (2), section 239, subsection 240 (5), sections 250 and 251 and subsections 257.8 (2) and 257.9 (1) of the *Education Act*, under sections 447.20 and 447.52 of the *Municipal Act* as made applicable by section 474 of the *Municipal Act, 2001*, under subsections 364 (22) and 365.2 (16) of the *Municipal Act, 2001*, under section 10 of Ontario Regulation 509/98 (Tax Matters — Relief in Unorganized Territory (Section 257.2.1 of the Act) made under the Act and under subsection 13 (2) of Ontario Regulation 3/02 (Tax Relief in Unorganized Territory for 2001 and Subsequent Years) made under the Act,
  - B. the amounts, if any, referred to in subsection 364 (22) of the *Municipal Act, 2001*, as made applicable by section 257.12.3 of the *Education Act*, that are paid to the board in respect of the 2006 calendar year,
  - C. the total of all amounts, if any, paid to the board in respect of the 2006 calendar year by a municipality under subsection 353 (4) or subsection 366 (3) of the *Municipal Act, 2001*,
  - D. the amounts, if any, applied by the board against the cancellation price of land sold for tax arrears in the 2006 calendar year under section 380 of the *Municipal Act, 2001*, as made applicable by subsection 371 (2) of that Act,
  - E. the payments in lieu of taxes distributed to the board in respect of the 2006 calendar year under subsection 322 (1) of the *Municipal Act, 2001*,
  - F. the grants, if any, made to the board in respect of the 2006 calendar year under subsection 302 (2) of the *Municipal Act, 2001*,
  - G. the amounts, if any, received by the board in respect of the 2006 calendar year under the *Payments in Lieu of Taxes Act* (Canada) or under any Act of Canada that permits a payment to be made by a government or a government agency in lieu of taxes on real property, and
  - H. the amounts, if any, paid to the board in respect of the 2006 calendar year under subsection 9 (2) or (4) of the *Tax Incentive Zones Act (Pilot Projects), 2002*, and
- iii. the total of the amounts, if any, distributed to the board in the fiscal year under subsection 2 (3) of Ontario Regulation 365/98 (Pre-1998 School Tax Arrears) made under the Act, and

- iv. the total of the amounts, if any, paid to the board in the fiscal year under clause 3 (1) (a) of Ontario Regulation 366/98 (Tax Arrears in Annexed Areas) made under the Act.
2. Calculate the difference between the following amounts and deduct that difference if the amount described in subparagraph i is less than the amount described in subparagraph ii or add that difference if the amount described in subparagraph i is more than the amount described in subparagraph ii:
    - i. The amount that was determined under subparagraph 1 ii of subsection 47 (3) of the 2004-2005 grant regulation for the purposes of calculating the amount payable to the board as legislative grant in respect of the 2004-2005 school board fiscal year.
    - ii. The amount that would have been determined under subparagraph 1 ii of subsection 47 (3) of the 2004-2005 grant regulation if that amount had been determined on the basis of the board's annual financial statements as reported to the Ministry for the 2004-2005 school board fiscal year.
  3. If the board is required to levy taxes for school purposes in respect of property in territory without municipal organization, deduct the sum of,
    - i. 0.76 per cent of the total of the amount of those taxes levied for school purposes for the 2005 calendar year and the amount of the tax imposed by section 21.1 of the *Provincial Land Tax Act* that is levied by the board for that year, and
    - ii. 1.24 per cent of the total of the taxes described in subparagraph i that are levied by the board for the 2006 calendar year.
  4. Deduct the costs for which the board is responsible under the Act or the *Municipal Elections Act, 1996* that are incurred in the fiscal year to conduct elections of members in territory without municipal organization that is deemed to be a district municipality for the purposes of clause 257.12 (3) (a) of the Act.
  5. Deduct the amounts charged to the board in the 2005 calendar year by a municipal council under section 353 of the *Municipal Act, 2001*, including amounts charged under that section as a result of private legislation.
  6. Deduct the total of the amounts rebated, paid or credited by the board under section 257.2.1 of the Act in the fiscal year.
  7. Deduct 38 per cent of the total of the amounts, if any, paid by the board in respect of the 2005 calendar year under subsections 361 (7), 364 (11), 365 (3), 365.1 (13) to (15) and (17) to (19) and 365.2 (8) of the *Municipal Act, 2001*.
  8. Deduct 62 per cent of the total of the amounts, if any, paid by the board in respect of the 2006 calendar year under subsections 361 (7), 364 (11), 365 (3), 365.1 (13) to (15) and (17) to (19) and 365.2 (8) of the *Municipal Act, 2001*.
- (4) Amounts, if any, paid by the Minister to the board in respect of the 2005 calendar year under section 257.10.1 or 257.11 of the Act are deemed to be amounts distributed to the board in respect of the 2005 calendar year under a provision of the Act referred to in subparagraph 1 i of subsection (3).
- (5) Amounts, if any, paid by the Minister to the board in respect of the 2006 calendar year under section 257.10.1 or 257.11 of the Act are deemed to be amounts distributed to the board in respect of the 2006 calendar year under a provision of the Act referred to in subparagraph 1 ii of subsection (3).
- (6) Paragraph 3 of subsection (3) shall not be interpreted to preclude, including in the board's approved expenditure, an amount on account of the costs incurred by the board in collecting taxes in territory without municipal organization, if those costs exceed the amount deducted under paragraph 3 of subsection (3).
- (7) If the approved expenditure of an isolate board exceeds its 2005-2006 tax revenue, the board is paid a grant equal to the excess.

**Grants to s. 68 boards**

- 47.** (1) A section 68 board is paid a grant in an amount determined as follows:
1. Take the expenditure of the board for the fiscal year that is acceptable to the Minister for grant purposes, excluding,
    - i. expenditures for debt charges,
    - ii. expenditures for the purchase of capital assets,
    - iii. expenditures for the restoration of destroyed or damaged capital assets, and
    - iv. provisions for reserves for working funds and provisions for reserve funds.
  2. Deduct the revenue of the board for the fiscal year, not including revenue from,
    - i. legislative grants,
    - ii. an organization on whose property a school of the board is located, and



iii. refunds of expenditure of the kind described in subparagraph 1 i, ii or iii.

(2) Subsection (3) applies if,

- (a) a section 68 board makes expenditures to purchase special equipment in accordance with the publication entitled "Special Education Funding Guidelines: Intensive Support Amount (ISA) Level 1 and Special Incidence ISA — 2004-05", dated June, 2004, for a pupil of a section 68 board and the pupil enrolls in a school operated by a district school board or by a different section 68 board during the fiscal year; or
- (b) a claim for special equipment for a pupil of a section 68 board has been approved and the pupil enrolls in a school operated by a different section 68 board during the 2004-2005 school board fiscal year.

(3) The special equipment referred to in subsection (2) must move with the pupil to the new board, unless in the opinion of the new board it is not practical to move the equipment.

#### PART IV PAYMENTS TO GOVERNING AUTHORITIES

##### Definitions

**48.** In this Part,

"Crown establishment" means an establishment maintained by a Department of the Government of Canada, a federal Crown company, The Royal Canadian Mounted Police or Atomic Energy of Canada Limited, on lands held by the Crown in right of Canada that are not assessable for school purposes, and includes a reserve as defined in the *Indian Act* (Canada); ("établissement de la Couronne")

"reserve" means a reserve within the meaning of the *Indian Act* (Canada). ("réserve")

##### Pupil attending school in Manitoba or Quebec

**49.** (1) If a pupil who resides in a territorial district attends a school supported by local taxation in Manitoba or Quebec, the Minister may pay the governing authority of the school an amount agreed on between him or her and the authority if, in the Minister's opinion,

- (a) daily transportation to a school in Ontario is impracticable due to distance or terrain;
- (b) the provision of board, lodging and weekly transportation to a school in Ontario is impracticable because of the age or disability of the pupil; and
- (c) the pupil attends a school that it is reasonable for him or her to attend, having regard to distance or terrain and any special needs of the pupil.

(2) In making a determination under subsection (1) with respect to a pupil who is a French-speaking person, the Minister shall have regard to language of instruction.

##### Pupil attending school on reserve

**50.** (1) This section applies if a pupil who resides in a territorial district,

- (a) is not resident in the area of jurisdiction of a board and is not resident on a Crown establishment; and
- (b) attends a school on a reserve that is operated by,
  - (i) the Crown in right of Canada, or
  - (ii) a band, the council of a band or an education authority, if the band, council of a band or education authority is authorized by the Crown in right of Canada to provide education for Indians.

(2) The Minister shall pay the governing authority of the school attended by the pupil the amount agreed on between the governing authority and the Minister.

##### Amounts payable to board, attendance at school for Indian children

**51.** (1) This section applies in respect of a board that has submitted to the Minister an arrangement for admission of one or more persons who are qualified to be resident pupils of the board to an elementary school for Indian children under section 185 of the Act.

(2) Subject to subsection (3), the Minister shall pay to the board, for each person to whom the arrangement applies, an amount equal to the cost per pupil of elementary instruction for the 2005-2006 fiscal period in the school to which the child is admitted under the arrangement.

(3) The amount paid by the Minister under subsection (2) shall not exceed the fee that the board would charge to elementary school pupils under section 3 of the 2005-2006 fees regulation.

TABLE/TABLEAU 1  
ESL/ESD GRANT/SUBVENTION ESL/ESD

Item/Point	Column/Colonne 1 Name of Board/Nom du conseil	Column/Colonne 2 Amount/Somme \$
1.	District School Board Ontario North East	18,931
2.	Algoma District School Board	11,524
3.	Rainbow District School Board	24,782
4.	Near North District School Board	13,954
5.	Keewatin-Patricia District School Board	12,326
6.	Rainy River District School Board	4,585
7.	Lakehead District School Board	49,690
8.	Superior-Greenstone District School Board	779
9.	Bluewater District School Board	84,653
10.	Avon Maitland District School Board	123,176
11.	Greater Essex County District School Board	417,973
12.	Lambton Kent District School Board	106,280
13.	Thames Valley District School Board	755,606
14.	Toronto District School Board	9,154,639
15.	Durham District School Board	272,354
16.	Kawartha Pine Ridge District School Board	40,627
17.	Trillium Lakelands District School Board	0
18.	York Region District School Board	1,161,074
19.	Simcoe County District School Board	82,524
20.	Upper Grand District School Board	268,827
21.	Peel District School Board	2,079,593
22.	Halton District School Board	225,620
23.	Hamilton-Wentworth District School Board	630,689
24.	District School Board of Niagara	196,736
25.	Grand Erie District School Board	134,194
26.	Waterloo Region District School Board	831,600
27.	Ottawa-Carleton District School Board	975,806
28.	Upper Canada District School Board	31,856
29.	Limestone District School Board	75,660
30.	Renfrew County District School Board	15,164
31.	Hastings and Prince Edward District School Board	37,355
32.	Northeastern Catholic District School Board	5,291
33.	Nipissing-Parry Sound Catholic District School Board	5,492
34.	Huron-Superior Catholic District School Board	9,685
35.	Sudbury Catholic District School Board	11,604
36.	Northwest Catholic District School Board	2,733
37.	Kenora Catholic District School Board	236
38.	Thunder Bay Catholic District School Board	25,304
39.	Superior North Catholic District School Board	0
40.	Bruce-Grey Catholic District School Board	6,076
41.	Huron Perth Catholic District School Board	14,995
42.	Windsor-Essex Catholic District School Board	285,811
43.	English-language Separate District School Board No. 38	230,241
44.	St. Clair Catholic District School Board	37,869
45.	Toronto Catholic District School Board	3,884,755
46.	Peterborough Victoria Northumberland and Clarington Catholic District School Board	17,591
47.	York Catholic District School Board	655,809
48.	Dufferin-Peel Catholic District School Board	1,641,130
49.	Simcoe Muskoka Catholic District School Board	44,449
50.	Durham Catholic District School Board	125,790
51.	Halton Catholic District School Board	157,254
52.	Hamilton-Wentworth Catholic District School Board	353,616
53.	Wellington Catholic District School Board	53,048
54.	Waterloo Catholic District School Board	335,647
55.	Niagara Catholic District School Board	95,494

Item/Point	Column/Colonne 1	Column/Colonne 2
	Name of Board/Nom du conseil	Amount/Somme \$
56.	Brant Haldimand Norfolk Catholic District School Board	43,337
57.	Catholic District School Board of Eastern Ontario	16,970
58.	Ottawa-Carleton Catholic District School Board	457,583
59.	Renfrew County Catholic District School Board	6,166
60.	Algonquin and Lakeshore Catholic District School Board	37,128

TABLE/TABLEAU 2

ASSIMILATION FACTORS FOR ALF FUNDING/FACTEURS D'ASSIMILATION POUR LE FINANCEMENT DES PROGRAMMES D'ALF

Item/Point	Column/Colonne 1	Column/Colonne 2
	Name of Board/Nom du conseil	Assimilation Factor/Facteur d'assimilation %
1.	Conseil scolaire de district du Nord-Est de l'Ontario	75
2.	Conseil scolaire de district du Grand Nord de l'Ontario	75
3.	Conseil scolaire de district du Centre Sud-Ouest	97
4.	Conseil de district des écoles publiques de langue française n° 59	76
5.	Conseil scolaire de district catholique des Grandes Rivières	75
6.	Conseil scolaire de district catholique Franco-Nord	75
7.	Conseil scolaire de district catholique du Nouvel-Ontario	75
8.	Conseil scolaire de district catholique des Aurores boréales	88
9.	Conseil scolaire de district des écoles catholiques du Sud-Ouest	97
10.	Conseil scolaire de district catholique Centre-Sud	97
11.	Conseil scolaire de district catholique de l'Est ontarien	75
12.	Conseil scolaire de district catholique du Centre-Est de l'Ontario	84

TABLE/TABLEAU 3

CLOSED DISTANT SCHOOLS/ÉCOLES ÉLOIGNÉES FERMÉES

Item/Point	Column/Colonne 1	Column/Colonne 2	Column/Colonne 3	Column/Colonne 4	Column/Colonne 5	Column/Colonne 6	Column/Colonne 7	Column/Colonne 8
	Name of Board/Nom du conseil	SFIS No./N° du SIIS	Elementary School/École élémentaire	Secondary School/École secondaire	Municipality or Locality/Municipalité ou localité	Top Up Allocation for School Operations/Somme complémentaire liée au fonctionnement des écoles	Top Up for School Renewal/Somme complémentaire liée à la réfection des écoles	Distant School Allocation/Somme liée aux écoles éloignées
1.	Bluewater District School Board	824	Macphail Memorial Elementary School		Grey Highlands	0	0	\$48,679
2.	Conseil de district des écoles publiques de langue française n° 59	5338		Marc Garneau E.s.	Quinte West	\$73,988	\$12,433	\$695,330
3.	Conseil de district des écoles publiques de langue française n° 59	9641		Vankleek Hill Secondary School	Champlain	0	0	\$475,847
4.	Conseil scolaire de district catholique des Aurores boréales	9563		E.s. de La Verendrye	Thunder Bay	0	0	\$712,868

Item/ Point	Column/ Colonne 1	Column/ Colonne 2	Column/ Colonne 3	Column/ Colonne 4	Column/ Colonne 5	Column/ Colonne 6	Column/ Colonne 7	Column/ Colonne 8
	Name of Board/Nom du conseil	SFIS No./N° du SIIS	Elementary School/École élémentaire	Secondary School/École secondaire	Municipality or Locality/Municipalité ou localité	Top Up Allocation for School Operations/Somme complémentaire liée au fonctionnement des écoles	Top Up for School Renewal/Somme complémentaire liée à la réfection des écoles	Distant School Allocation/Somme liée aux écoles éloignées
5.	Conseil scolaire de district catholique du Centre-Est de l'Ontario	3148	Colonel Forbes C.e.		Petawawa	\$94,529	\$15,609	\$25,553
6.	Conseil scolaire de district catholique du Centre-Est de l'Ontario	3189		Jeanne-Lajoie C.e.s.	Pembroke	\$5,752	\$924	\$552,137
7.	Conseil scolaire de district catholique du Nouvel-Ontario	9757		Jeunesse-Nord E.s.	Blind River	\$28,867	\$5,092	\$581,990
8.	Conseil scolaire de district du Centre Sud-Ouest	9830	Carrefour des Jeunes		Brampton	0	0	\$159,768
9.	Superior North Catholic District School Board	3908	St. Edward		Nipigon	0	0	\$76,065
10.	Upper Canada District School Board	21	Addison Public School		Elizabethtown-Kitley	\$4,581	\$784	\$11,093
11.	Upper Canada District School Board	1299	Frankville Public School		Elizabethtown-Kitley	\$8,170	\$1,396	\$11,019
12.	Upper Canada District School Board	1627	Newington Public School		Cavan-Millbrook-North Monaghan	\$12,950	\$2,214	\$11,214
13.	Wellington Catholic District School Board	3031	Sacred Heart		Wellington North	0	0	\$14,303
14.	Windsor-Essex Catholic District School Board	3746	St. Anthony Separate School		Essex	0	0	\$30,251
15.	Windsor-Essex Catholic District School Board	4060	St. John de Brebeuf Separate School		Kingsville	0	0	\$40,733
16.	Lakehead District School Board	9967	Fourway Public School		Lakehead Locality Education	\$21,190	\$3,694	\$228,267

Item/ Point	Column/ Colonne 1	Column/ Colonne 2	Column/ Colonne 3	Column/ Colonne 4	Column/ Colonne 5	Column/ Colonne 6	Column/ Colonne 7	Column/ Colonne 8
	Name of Board/Nom du conseil	SFIS No./N° du SIIS	Elementary School/École élémentaire	Secondary School/École secondaire	Municipality or Locality/Municipalité ou localité	Top Up Allocation for School Operations/Somme complémentaire liée au fonctionnement des écoles	Top Up for School Renewal/Somme complémentaire liée à la réfection des écoles	Distant School Allocation/Somme liée aux écoles éloignées
17.	Renfrew County District School Board	2047	Ross Mineview Public School		Whitewater Region	\$15,804	\$2,729	\$24,481

TABLE/TABLEAU 4  
NEW DISTANT SCHOOLS/NOUVELLES ÉCOLES ÉLOIGNÉES

Item/ Point	Column/ Colonne 1	Column/ Colonne 2	Column/ Colonne 3	Column/ Colonne 4	Column/ Colonne 5	Column/ Colonne 6	Column/ Colonne 7	Column/ Colonne 8	Column/ Colonne 9
	Name of Board/Nom du conseil	SFIS No./N° du SIIS	Elementary School/École élémentaire	Secondary School/École secondaire	Municipality/Municipalité	Top Up Allocation for School Operations/Somme complémentaire liée au fonctionnement des écoles	Top Up for School Renewal/Somme complémentaire liée à la réfection des écoles	Distant School Allocation/Somme liée aux écoles éloignées	Distant School Allocation In-school administration component/Somme liée à l'administration interne des écoles éloignées
1.	Bluewater District School Board	10582	Macphail Memorial Elementary School		Grey Highlands	0	0	\$48,045	0
2.	Upper Canada District School Board	10551	Meadowview Public School		Elizabethtown-Kitley	0	0	\$30,665	0
3.	Superior North Catholic District School Board	10661	St. Edward Catholic School		Nipigon	\$43,011	\$7,440	\$84,305	\$23,118
4.	Windsor-Essex Catholic District School Board	10522	St. John de Brebeuf Separate School		Kingsville	\$8,862	\$1,533	\$40,343	0
5.	Conseil de district des écoles publiques de langue française n° 59	10394		École secondaire publique le Sommet	Hawkesbury	\$14,082	\$2,484	\$507,463	0
6	Conseil de district des écoles publiques de langue française n° 59	10575		École s.p. Marc Garneau	Quinte West	\$52,747	\$9,305	\$672,985	0

Item/ Point	Column/ Colonne 1	Column/ Colonne 2	Column/ Colonne 3	Column/ Colonne 4	Column/ Colonne 5	Column/ Colonne 6	Column/ Colonne 7	Column/ Colonne 8	Column/ Colonne 9
	Name of Board/Nom du conseil	SFIS No./N <sup>o</sup> du SIIS	Elementary School/École élémentaire	Secondary School/École secondaire	Municipality/Municipalité	Top Up Allocation for School Operations/Somme complémentaire liée au fonctionnement des écoles	Top Up for School Renewal/Somme complémentaire liée à la réfection des écoles	Distant School Allocation/Somme liée aux écoles éloignées	Distant School Allocation In-school administration component/Somme liée à l'administration interne des écoles éloignées
7.	Conseil scolaire de district catholique du Centre-Est de l'Ontario	10658		Centre Scolaire Catholique Jeanne-Lajoie Secondaire	Pembroke	0	0	\$505,649	0
8.	Conseil scolaire de district du Centre Sud-Ouest	10710	Carrefour des Jeunes		Brampton	0	0	\$49,120	0
9.	Conseil scolaire de district catholique des Aurores boréales	10740		École secondaire catholique de La Vérendrye	Thunder Bay	\$126,689	\$22,348	\$669,873	0

TABLE/TABLEAU 5

## DISTANT SCHOOLS ADJUSTMENT/REDRESSEMENT POUR ÉCOLES ÉLOIGNÉES

Item/Point	Column/Colonne 1	Column/Colonne 2
	Name of Board/Nom du conseil	Amount/Montant \$
1.	District School Board Ontario North East	176,951
2.	Algoma District School Board	155,125
3.	Rainbow District School Board	172,654
4.	Near North District School Board	124,628
5.	Keewatin-Patricia District School Board	141,013
6.	Rainy River District School Board	67,922
7.	Lakehead District School Board	19,619
8.	Superior-Greenstone District School Board	145,180
9.	Bluewater District School Board	40,246
10.	Avon Maitland District School Board	0
11.	Greater Essex County District School Board	3,441
12.	Lambton Kent District School Board	28,243
13.	Thames Valley District School Board	0
14.	Toronto District School Board	0
15.	Durham District School Board	0
16.	Kawartha Pine Ridge District School Board	21,395
17.	Trillium Lakelands District School Board	99,434
18.	York Region District School Board	0
19.	Simcoe County District School Board	0
20.	Upper Grand District School Board	0
21.	Peel District School Board	0
22.	Halton District School Board	0
23.	Hamilton-Wentworth District School Board	0
24.	District School Board of Niagara	0
25.	Grand Erie District School Board	0
26.	Waterloo Region District School Board	0
27.	Ottawa-Carleton District School Board	0

Item/Point	Column/Colonne 1	Column/Colonne 2
	Name of Board/Nom du conseil	Amount/Montant \$
28.	Upper Canada District School Board	77,159
29.	Limestone District School Board	73,707
30.	Renfrew County District School Board	121,599
31.	Hastings and Prince Edward District School Board	49,601
32.	Northeastern Catholic District School Board	166,370
33.	Nipissing-Parry Sound Catholic District School Board	87,481
34.	Huron-Superior Catholic District School Board	104,505
35.	Sudbury Catholic District School Board	8,418
36.	Northwest Catholic District School Board	186,150
37.	Kenora Catholic District School Board	0
38.	Thunder Bay Catholic District School Board	0
39.	Superior North Catholic District School Board	102,184
40.	Bruce-Grey Catholic District School Board	143,622
41.	Huron Perth Catholic District School Board	116,374
42.	Windsor-Essex Catholic District School Board	0
43.	English-language Separate District School Board No. 38	77,389
44.	St. Clair Catholic District School Board	117,424
45.	Toronto Catholic District School Board	0
46.	Peterborough Victoria Northumberland and Clarington Catholic District School Board	69,292
47.	York Catholic District School Board	0
48.	Dufferin-Peel Catholic District School Board	0
49.	Simcoe Muskoka Catholic District School Board	138,058
50.	Durham Catholic District School Board	17,729
51.	Halton Catholic District School Board	0
52.	Hamilton-Wentworth Catholic District School Board	0
53.	Wellington Catholic District School Board	34,449
54.	Waterloo Catholic District School Board	0
55.	Niagara Catholic District School Board	0
56.	Brant Haldimand Norfolk Catholic District School Board	22,741
57.	Catholic District School Board of Eastern Ontario	261,605
58.	Ottawa-Carleton Catholic District School Board	28,726
59.	Renfrew County Catholic District School Board	51,467
60.	Algonquin and Lakeshore Catholic District School Board	146,696
61.	Conseil scolaire de district du Nord-Est de l'Ontario	79,819
62.	Conseil scolaire de district du Grand Nord de l'Ontario	17,131
63.	Conseil scolaire de district du Centre Sud-Ouest	332,792
64.	Conseil de district des écoles publiques de langue française n° 59	185,632
65.	Conseil scolaire de district catholique des Grandes Rivières	151,446
66.	Conseil scolaire de district catholique Franco-Nord	49,123
67.	Conseil scolaire de district catholique du Nouvel-Ontario	158,572
68.	Conseil scolaire de district catholique des Aurores boréales	80,479
69.	Conseil scolaire de district des écoles catholiques du Sud-Ouest	141,609
70.	Conseil scolaire de district catholique Centre-Sud	134,704
71.	Conseil scolaire de district catholique de l'Est ontarien	32,990
72.	Conseil scolaire de district catholique du Centre-Est de l'Ontario	145,611

TABLE/TABLEAU 6

## REMOTE AND RURAL ALLOCATION/ÉLÉMENT CONSEILS RURAUX ET ÉLOIGNÉS

Item/Point	Column/Colonne 1	Column/Colonne 2	Column/Colonne 3	Column/Colonne 4
	Name of Board/Nom du conseil	Distance/Distance	Urban Factor/Facteur urbain	Dispersion Distance in kilometres/Distance, en kilomètres, liée à la dispersion
1.	District School Board Ontario North East	680 km	0.946	47.28
2.	Algoma District School Board	790 km	0.809	38.63
3.	Rainbow District School Board	455 km	0.821	21.21
4.	Near North District School Board	332 km	0.913	25.73
5.	Keewatin-Patricia District School Board	1801 km	1.000	60.12
6.	Rainy River District School Board	1630 km	1.000	40.15
7.	Lakehead District School Board	1375 km	0.549	5.77

Item/Point	Column/Colonne 1	Column/Colonne 2	Column/Colonne 3	Column/Colonne 4
	Name of Board/Nom du conseil	Distance/Distance	Urban Factor/Facteur urbain	Dispersion Distance in kilometres/Distance, en kilomètres, liée à la dispersion
8.	Superior-Greystone District School Board	1440 km	1.000	71.69
9.	Bluewater District School Board	177 km	1.000	21.55
10.	Avon Maitland District School Board	< 151 km	1.000	16.38
11.	Greater Essex County District School Board	< 151 km	1.000	8.32
12.	Lambton Kent District School Board	< 151 km	1.000	16.28
13.	Thames Valley District School Board	< 151 km	1.000	9.39
14.	Toronto District School Board	< 151 km	1.000	3.78
15.	Durham District School Board	< 151 km	1.000	5.98
16.	Kawartha Pine Ridge District School Board	161 km	0.942	14.94
17.	Trillium Lakelands District School Board	253 km	1.000	27.79
18.	York Region District School Board	< 151 km	1.000	6.52
19.	Simcoe County District School Board	< 151 km	1.000	11.30
20.	Upper Grand District School Board	< 151 km	1.000	10.65
21.	Peel District School Board	< 151 km	1.000	4.54
22.	Halton District School Board	< 151 km	1.000	5.59
23.	Hamilton-Wentworth District School Board	< 151 km	1.000	3.79
24.	District School Board of Niagara	< 151 km	1.000	6.49
25.	Grand Erie District School Board	< 151 km	1.000	10.07
26.	Waterloo Region District School Board	< 151 km	1.000	4.96
27.	Ottawa-Carleton District School Board	< 151 km	1.000	6.11
28.	Upper Canada District School Board	< 151 km	1.000	22.40
29.	Limestone District School Board	235 km	0.717	12.74
30.	Renfrew County District School Board	< 151 km	1.000	21.03
31.	Hastings and Prince Edward District School Board	251 km	0.971	15.17
32.	Northeastern Catholic District School Board	680 km	0.946	71.27
33.	Nipissing-Parry Sound Catholic District School Board	332 km	0.913	19.07
34.	Huron-Superior Catholic District School Board	790 km	0.777	48.56
35.	Sudbury Catholic District School Board	390 km	0.780	15.88
36.	Northwest Catholic District School Board	1715 km	1.000	133.32
37.	Kenora Catholic District School Board	1855 km	1.000	3.62
38.	Thunder Bay Catholic District School Board	1375 km	0.501	3.64
39.	Superior North Catholic District School Board	1440 km	1.000	97.06
40.	Bruce-Grey Catholic District School Board	177 km	1.000	22.57
41.	Huron Perth Catholic District School Board	< 151 km	1.000	19.38
42.	Windsor-Essex Catholic District School Board	< 151 km	1.000	7.73
43.	English-language Separate District School Board No. 38	< 151 km	1.000	11.83
44.	St. Clair Catholic District School Board	< 151 km	1.000	20.81
45.	Toronto Catholic District School Board	< 151 km	1.000	4.47
46.	Peterborough Victoria Northumberland and Clarington Catholic District School Board	161 km	0.942	15.91
47.	York Catholic District School Board	< 151 km	1.000	7.80
48.	Dufferin-Peel Catholic District School Board	< 151 km	1.000	4.96
49.	Simcoe Muskoka Catholic District School Board	< 151 km	1.000	17.09
50.	Durham Catholic District School Board	< 151 km	1.000	7.23
51.	Halton Catholic District School Board	< 151 km	1.000	7.35
52.	Hamilton-Wentworth Catholic District School Board	< 151 km	1.000	4.04
53.	Wellington Catholic District School Board	< 151 km	1.000	11.37
54.	Waterloo Catholic District School Board	< 151 km	1.000	6.27
55.	Niagara Catholic District School Board	< 151 km	1.000	8.50
56.	Brant Haldimand Norfolk Catholic District School Board	< 151 km	1.000	13.91
57.	Catholic District School Board of Eastern Ontario	< 151 km	1.000	24.49
58.	Ottawa-Carleton Catholic District School Board	< 151 km	1.000	6.69
59.	Renfrew County Catholic District School Board	< 151 km	1.000	25.91
60.	Algonquin and Lakeshore Catholic District School Board	277 km	0.986	24.63
61.	Conseil scolaire de district du Nord-Est de l'Ontario	634 km	0.939	149.20



Item/Point	Column/Colonne 1 Name of Board/Nom du conseil	Column/Colonne 2 Distance/Distance	Column/Colonne 3 Urban Factor/Facteur urbain	Column/Colonne 4 Dispersion Distance in kilometres/Distance, en kilomètres, liée à la dispersion
62.	Conseil scolaire de district du Grand Nord de l'Ontario	1191 km	0.8620	140.63
63.	Conseil scolaire de district du Centre Sud-Ouest	< 151 km	1.000	47.17
64.	Conseil de district des écoles publiques de langue française n° 59	< 151 km	1.000	38.75
65.	Conseil scolaire de district catholique des Grandes Rivières	680 km	0.952	49.76
66.	Conseil scolaire de district catholique Franco-Nord	332 km	0.933	23.94
67.	Conseil scolaire de district catholique du Nouvel-Ontario	790 km	0.879	45.27
68.	Conseil scolaire de district catholique des Aurores boréales	1745 km	0.727	207.39
69.	Conseil scolaire de district des écoles catholiques du Sud-Ouest	< 151 km	1.000	29.78
70.	Conseil scolaire de district catholique Centre-Sud	< 151 km	1.000	37.27
71.	Conseil scolaire de district catholique de l'Est ontarien	< 151 km	1.000	17.32
72.	Conseil scolaire de district catholique du Centre-Est de l'Ontario	< 151 km	1.000	23.39

TABLE/TABLEAU 7  
LEARNING OPPORTUNITIES/PROGRAMMES D'AIDE À L'APPRENTISSAGE

Item/Point	Column/Colonne 1 Name of Board/Nom du conseil	Column/Colonne 2 Demographic Component Amount/Montant de l'élément démographique \$	Column/Colonne 3 Student Success, Grades 7-12, Demographic Factor/Réussite des élèves, 7 <sup>e</sup> à 12 <sup>e</sup> année, facteur démographique
1.	District School Board Ontario North East	1,880,610	0.0043
2.	Algoma District School Board	3,264,799	0.0097
3.	Rainbow District School Board	2,523,419	0.0084
4.	Near North District School Board	2,587,239	0.0071
5.	Keewatin-Patricia District School Board	1,039,906	0.0028
6.	Rainy River District School Board	614,541	0.0026
7.	Lakehead District School Board	2,482,102	0.0065
8.	Superior-Greenstone District School Board	643,693	0.0012
9.	Bluewater District School Board	1,554,999	0.0045
10.	Avon Maitland District School Board	1,299,568	0.003
11.	Greater Essex County District School Board	6,584,555	0.0151
12.	Lambton Kent District School Board	1,873,907	0.0077
13.	Thames Valley District School Board	10,581,008	0.0246
14.	Toronto District School Board	134,784,612	0.3807
15.	Durham District School Board	3,453,188	0.0087
16.	Kawartha Pine Ridge District School Board	2,463,044	0.0093
17.	Trillium Lakelands District School Board	838,080	0.0045
18.	York Region District School Board	10,493,567	0.0182
19.	Simcoe County District School Board	1,936,653	0.0084
20.	Upper Grand District School Board	1,606,998	0.003
21.	Peel District School Board	18,531,533	0.0333
22.	Halton District School Board	895,188	0.0008
23.	Hamilton-Wentworth District School Board	13,346,631	0.0419
24.	District School Board of Niagara	5,062,602	0.0143
25.	Grand Erie District School Board	3,390,965	0.0097
26.	Waterloo Region District School Board	6,688,615	0.0138
27.	Ottawa-Carleton District School Board	15,077,566	0.0413
28.	Upper Canada District School Board	1,993,704	0.0065
29.	Limestone District School Board	2,436,910	0.0068
30.	Renfrew County District School Board	920,431	0.0032
31.	Hastings and Prince Edward District School Board	2,622,363	0.012

Item/Point	Column/Colonne 1 Name of Board/Nom du conseil	Column/Colonne 2 Demographic Component Amount/Montant de l'élément démographique \$	Column/Colonne 3 Student Success, Grades 7-12, Demographic Factor/Réussite des élèves, 7 <sup>e</sup> à 12 <sup>e</sup> année, facteur démographique
32.	Northeastern Catholic District School Board	652,081	0.0013
33.	Nipissing-Parry Sound Catholic District School Board	629,991	0.002
34.	Huron-Superior Catholic District School Board	1,578,604	0.0041
35.	Sudbury Catholic District School Board	1,286,823	0.0039
36.	Northwest Catholic District School Board	147,657	0.0005
37.	Kenora Catholic District School Board	155,202	0.0005
38.	Thunder Bay Catholic District School Board	1,208,819	0.0033
39.	Superior North Catholic District School Board	208,026	0.0004
40.	Bruce-Grey Catholic District School Board	222,812	0.0007
41.	Huron Perth Catholic District School Board	183,075	0.0004
42.	Windsor-Essex Catholic District School Board	4,441,570	0.0089
43.	English-language Separate District School Board No. 38	4,267,966	0.0035
44.	St. Clair Catholic District School Board	774,404	0.0022
45.	Toronto Catholic District School Board	51,200,143	0.1261
46.	Peterborough Victoria Northumberland and Clarington Catholic District School Board	736,186	0.0018
47.	York Catholic District School Board	4,979,144	0.0093
48.	Dufferin-Peel Catholic District School Board	13,489,141	0.0204
49.	Simcoe Muskoka Catholic District School Board	565,231	0.0027
50.	Durham Catholic District School Board	1,077,096	0.001
51.	Halton Catholic District School Board	500,795	0.0008
52.	Hamilton-Wentworth Catholic District School Board	5,567,912	0.0134
53.	Wellington Catholic District School Board	478,552	0.0008
54.	Waterloo Catholic District School Board	2,595,940	0.0041
55.	Niagara Catholic District School Board	2,236,175	0.0049
56.	Brant Haldimand Norfolk Catholic District School Board	1,055,211	0.0028
57.	Catholic District School Board of Eastern Ontario	1,070,467	0.0025
58.	Ottawa-Carleton Catholic District School Board	6,856,041	0.0177
59.	Renfrew County Catholic District School Board	605,920	0.0024
60.	Algonquin and Lakeshore Catholic District School Board	1,382,489	0.0028
61.	Conseil scolaire de district du Nord-Est de l'Ontario	265,529	0.001
62.	Conseil scolaire de district du Grand Nord de l'Ontario	275,705	0.001
63.	Conseil scolaire de district du Centre Sud-Ouest	1,424,289	0.0038
64.	Conseil de district des écoles publiques de langue française n° 59	1,692,751	0.0059
65.	Conseil scolaire de district catholique des Grandes Rivières	2,256,654	0.0054
66.	Conseil scolaire de district catholique Franco-Nord	857,299	0.002
67.	Conseil scolaire de district catholique du Nouvel-Ontario	1,775,578	0.0042
68.	Conseil scolaire de district catholique des Aurores boréales	244,378	0.0003
69.	Conseil scolaire de district des écoles catholiques du Sud-Ouest	584,284	0.0012
70.	Conseil scolaire de district catholique Centre-Sud	1,760,463	0.0036
71.	Conseil scolaire de district catholique de l'Est ontarien	1,699,771	0.004
72.	Conseil scolaire de district catholique du Centre-Est de l'Ontario	2,854,096	0.0089

TABLE/TABLEAU 8

## TEACHER QUALIFICATION AND EXPERIENCE/COMPÉTENCE ET EXPÉRIENCE DES ENSEIGNANTS

Full years of teaching experience/Années complètes d'expérience en enseignement	Qualification Categories/Catégories de qualification						
	D	C	B	A1/group 1 A1/groupe 1	A2/group 2 A2/groupe 2	A3/group 3 A3/groupe 3	A4/group 4 A4/groupe 4
0	0.5788	0.5788	0.5788	0.6229	0.6487	0.7081	0.7449
1	0.6127	0.6127	0.6127	0.6540	0.6864	0.7502	0.7926
2	0.6332	0.6332	0.6332	0.6989	0.7318	0.7969	0.8432
3	0.6523	0.6523	0.6523	0.7416	0.7743	0.8442	0.8925

Full years of teaching experience/Années complètes d'expérience en enseignement	Qualification Categories/Catégories de qualification						
	D	C	B	A1/group 1 A1/groupe 1	A2/group 2 A2/groupe 2	A3/group 3 A3/groupe 3	A4/group 4 A4/groupe 4
4	0.7149	0.7149	0.7149	0.7814	0.8158	0.8953	0.9443
5	0.7698	0.7698	0.7698	0.8234	0.8606	0.9435	0.9975
6	0.8225	0.8225	0.8225	0.8655	0.9042	0.9866	1.0473
7	0.8694	0.8694	0.8694	0.9073	0.9472	1.0363	1.0997
8	0.8900	0.8900	0.8900	0.9485	0.9876	1.0860	1.1512
9	0.9154	0.9154	0.9154	1.0025	1.0411	1.1534	1.2026
10	0.9667	0.9667	0.9667	1.0451	1.0989	1.2136	1.2949

TABLE/TABLEAU 9  
COST ADJUSTMENT AMOUNT FOR NON-TEACHERS/SOMME LIÉE AU REDRESSEMENT  
DES COÛTS POUR LE PERSONNEL NON ENSEIGNANT

Item/Point	Column/Colonne 1 Name of Board/Nom du conseil	Column/Colonne 2 Amount/Montant \$
1.	District School Board Ontario North East	43,504
2.	Algoma District School Board	44,292
3.	Rainbow District School Board	43,864
4.	Near North District School Board	53,313
5.	Keewatin-Patricia District School Board	25,824
6.	Rainy River District School Board	12,637
7.	Lakehead District School Board	100,406
8.	Superior-Greenstone District School Board	22,133
9.	Bluewater District School Board	63,932
10.	Avon Maitland District School Board	17,353
11.	Greater Essex County District School Board	74,832
12.	Lambton Kent District School Board	62,048
13.	Thames Valley District School Board	123,157
14.	Toronto District School Board	1,783,586
15.	Durham District School Board	203,543
16.	Kawartha Pine Ridge District School Board	35,004
17.	Trillium Lakelands District School Board	30,303
18.	York Region District School Board	320,424
19.	Simcoe County District School Board	65,383
20.	Upper Grand District School Board	124,142
21.	Peel District School Board	487,062
22.	Halton District School Board	82,625
23.	Hamilton-Wentworth District School Board	97,364
24.	District School Board of Niagara	69,246
25.	Grand Erie District School Board	57,917
26.	Waterloo Region District School Board	124,765
27.	Ottawa-Carleton District School Board	139,671
28.	Upper Canada District School Board	81,675
29.	Limestone District School Board	53,177
30.	Renfrew County District School Board	16,633
31.	Hastings and Prince Edward District School Board	47,840
32.	Northeastern Catholic District School Board	12,670
33.	Nipissing-Parry Sound Catholic District School Board	19,392
34.	Huron-Superior Catholic District School Board	22,716
35.	Sudbury Catholic District School Board	26,651
36.	Northwest Catholic District School Board	3,995
37.	Kenora Catholic District School Board	9,676

Item/Point	Column/Colonne 1	Column/Colonne 2
	Name of Board/Nom du conseil	Amount/Montant \$
38.	Thunder Bay Catholic District School Board	18,990
39.	Superior North Catholic District School Board	5,253
40.	Bruce-Grey Catholic District School Board	4,174
41.	Huron Perth Catholic District School Board	10,026
42.	Windsor-Essex Catholic District School Board	105,851
43.	English-language Separate District School Board No. 38	67,100
44.	St. Clair Catholic District School Board	38,276
45.	Toronto Catholic District School Board	205,805
46.	Peterborough Victoria Northumberland and Clarington Catholic District School Board	42,225
47.	York Catholic District School Board	136,275
48.	Dufferin-Peel Catholic District School Board	357,612
49.	Simcoe Muskoka Catholic District School Board	83,274
50.	Durham Catholic District School Board	43,583
51.	Halton Catholic District School Board	18,288
52.	Hamilton-Wentworth Catholic District School Board	44,315
53.	Wellington Catholic District School Board	7,473
54.	Waterloo Catholic District School Board	25,645
55.	Niagara Catholic District School Board	38,970
56.	Brant Haldimand Norfolk Catholic District School Board	27,244
57.	Catholic District School Board of Eastern Ontario	56,112
58.	Ottawa-Carleton Catholic District School Board	161,022
59.	Renfrew County Catholic District School Board	17,193
60.	Algonquin and Lakeshore Catholic District School Board	43,732
61.	Conseil scolaire de district du Nord-Est de l'Ontario	12,798
62.	Conseil scolaire de district du Grand Nord de l'Ontario	18,672
63.	Conseil scolaire de district du Centre Sud-Ouest	38,390
64.	Conseil de district des écoles publiques de langue française n° 59	77,309
65.	Conseil scolaire de district catholique des Grandes Rivières	19,929
66.	Conseil scolaire de district catholique Franco-Nord	23,165
67.	Conseil scolaire de district catholique du Nouvel-Ontario	56,664
68.	Conseil scolaire de district catholique des Aurores boréales	8,158
69.	Conseil scolaire de district des écoles catholiques du Sud-Ouest	23,229
70.	Conseil scolaire de district catholique Centre-Sud	55,006
71.	Conseil scolaire de district catholique de l'Est ontarien	24,992
72.	Conseil scolaire de district catholique du Centre-Est de l'Ontario	66,927

TABLE/TABLEAU 10

AMOUNT FOR RENEWAL SOFTWARE LICENSING FEES/SOMME LIÉE AU RENOUVELLEMENT  
DES PERMIS D'UTILISATION DE LOGICIELS

Item/Point	Column/Colonne 1	Column/Colonne 2
	Name of Board/Nom du conseil	Allocation for Renewal Software Licensing Fee/Somme liée au renouvellement des permis d'utilisation de logiciels
1.	Algoma District School Board	\$14,728
2.	Algonquin and Lakeshore Catholic District School Board	\$9,044
3.	Avon Maitland District School Board	\$17,425
4.	Bluewater District School Board	\$17,821
5.	Brant Haldimand Norfolk Catholic District School Board	\$6,163
6.	Bruce-Grey Catholic District School Board	\$2,911
7.	Catholic District School Board of Eastern Ontario	\$8,231
8.	Conseil de district des écoles publiques de langue française n° 59	\$7,490
9.	Conseil scolaire de district catholique des Grandes Rivières	\$10,862
10.	Conseil scolaire de district catholique Centre-Sud	\$10,442
11.	Conseil scolaire de district catholique de l'Est ontarien	\$12,139

Item/Point	Column/Colonne 1	Column/Colonne 2
	Name of Board/Nom du conseil	Allocation for Renewal Software Licensing Fee/Somme liée au renouvellement des permis d'utilisation de logiciels
12.	Conseil scolaire de district catholique des Aurores boréales	\$620
13.	Conseil scolaire de district catholique du Centre-Est de l'Ontario	\$13,818
14.	Conseil scolaire de district catholique du Nouvel-Ontario	\$8,688
15.	Conseil scolaire de district catholique Franco-Nord	\$5,152
16.	Conseil scolaire de district des écoles catholiques du Sud-Ouest	\$6,123
17.	Conseil scolaire de district du Centre Sud-Ouest	\$9,229
18.	Conseil scolaire de district du Grand Nord de l'Ontario	\$3,845
19.	Conseil scolaire de district du Nord-Est de l'Ontario	\$853
20.	District School Board of Niagara	\$41,051
21.	District School Board Ontario North East	\$13,417
22.	Dufferin-Peel Catholic District School Board	\$41,028
23.	Durham Catholic District School Board	\$13,056
24.	Durham District School Board	\$37,502
25.	English-language Separate District School Board No. 38	\$13,545
26.	Grand Erie District School Board	\$25,152
27.	Greater Essex County District School Board	\$30,236
28.	Halton Catholic District School Board	\$12,968
29.	Halton District School Board	\$33,538
30.	Hamilton-Wentworth Catholic District School Board	\$20,354
31.	Hamilton-Wentworth District School Board	\$48,493
32.	Hastings and Prince Edward District School Board	\$16,342
33.	Huron Perth Catholic District School Board	\$2,853
34.	Huron-Superior Catholic District School Board	\$5,747
35.	Kawartha Pine Ridge District School Board	\$28,719
36.	Keewatin-Patricia District School Board	\$5,898
37.	Kenora Catholic District School Board	\$891
38.	Lakehead District School Board	\$12,468
39.	Lambton Kent District School Board	\$24,263
40.	Limestone District School Board	\$19,543
41.	Near North District School Board	\$11,892
42.	Niagara Catholic District School Board	\$14,962
43.	Nipissing-Parry Sound Catholic District School Board	\$3,826
44.	Northeastern Catholic District School Board	\$2,648
45.	Northwest Catholic District School Board	\$868
46.	Ottawa-Carleton Catholic District School Board	\$27,130
47.	Ottawa-Carleton District School Board	\$65,947
48.	Peel District School Board	\$68,019
49.	Peterborough Victoria Northumberland and Clarington Catholic District School Board	\$8,908
50.	Rainbow District School Board	\$17,507
51.	Rainy River District School Board	\$4,236
52.	Renfrew County Catholic District School Board	\$4,330
53.	Renfrew County District School Board	\$12,414
54.	Simcoe County District School Board	\$32,760
55.	Simcoe Muskoka Catholic District School Board	\$11,450
56.	St. Clair Catholic District School Board	\$9,304
57.	Sudbury Catholic District School Board	\$7,314
58.	Superior North Catholic District School Board	\$1,164
59.	Superior-Greenstone District School Board	\$4,165
60.	Thames Valley District School Board	\$64,853
61.	Thunder Bay Catholic District School Board	\$5,534
62.	Toronto Catholic District School Board	\$71,015
63.	Toronto District School Board	\$284,436
64.	Trillium Lakelands District School Board	\$15,018
65.	Upper Canada District School Board	\$29,960
66.	Upper Grand District School Board	\$21,000
67.	Waterloo Catholic District School Board	\$14,178
68.	Waterloo Region District School Board	\$38,590
69.	Wellington Catholic District School Board	\$4,534

Item/Point	Column/Colonne 1	Column/Colonne 2
	Name of Board/Nom du conseil	Allocation for Renewal Software Licensing Fee/Somme liée au renouvellement des permis d'utilisation de logiciels
70.	Windsor-Essex Catholic District School Board	\$17,122
71.	York Catholic District School Board	\$27,574
72.	York Region District School Board	\$51,553

TABLE/TABLEAU 11  
COMMUNITY USE OF SCHOOLS COMPENSATION AMOUNT/ALLOCATION D'UTILISATION  
COMMUNAUTAIRE DES ÉCOLES

Item/Point	Column/Colonne 1	Column/Colonne 2
	Name of Board/Nom du conseil	Amount/Montant \$
1.	Algoma District School Board	148,330
2.	Algonquin and Lakeshore Catholic District School Board	120,384
3.	Avon Maitland District School Board	189,493
4.	Bluewater District School Board	201,197
5.	Brant Haldimand Norfolk Catholic District School Board	105,630
6.	Bruce-Grey Catholic District School Board	33,507
7.	Catholic District School Board of Eastern Ontario	128,846
8.	Conseil de district des écoles publiques de langue française n° 59	119,730
9.	Conseil scolaire de district catholique des Grandes Rivières	109,110
10.	Conseil scolaire de district catholique Centre-Sud	127,025
11.	Conseil scolaire de district catholique de l'Est ontarien	129,169
12.	Conseil scolaire de district catholique des Aurores boréales	7,452
13.	Conseil scolaire de district catholique du Centre-Est de l'Ontario	172,649
14.	Conseil scolaire de district catholique du Nouvel-Ontario	88,436
15.	Conseil scolaire de district catholique Franco-Nord	49,698
16.	Conseil scolaire de district des écoles catholiques du Sud-Ouest	76,136
17.	Conseil scolaire de district du Centre Sud-Ouest	94,179
18.	Conseil scolaire de district du Grand Nord de l'Ontario	41,217
19.	Conseil scolaire de district du Nord-Est de l'Ontario	15,142
20.	District School Board of Niagara	426,073
21.	District School Board Ontario North East	132,155
22.	Dufferin-Peel Catholic District School Board	826,405
23.	Durham Catholic District School Board	222,909
24.	Durham District School Board	602,808
25.	English-language Separate District School Board No. 38	196,941
26.	Grand Erie District School Board	267,632
27.	Greater Essex County District School Board	352,700
28.	Halton Catholic District School Board	234,587
29.	Halton District School Board	411,614
30.	Hamilton-Wentworth Catholic District School Board	270,018
31.	Hamilton-Wentworth District School Board	516,949
32.	Hastings and Prince Edward District School Board	185,778
33.	Huron-Perth Catholic District School Board	43,405
34.	Huron-Superior Catholic District School Board	69,284
35.	Kawartha Pine Ridge District School Board	343,705
36.	Keewatin-Patricia District School Board	75,038
37.	Kenora Catholic District School Board	11,113
38.	Lakehead District School Board	132,369
39.	Lambton Kent District School Board	270,576
40.	Limestone District School Board	239,796
41.	Near North District School Board	133,874
42.	Niagara Catholic District School Board	225,907
43.	Nipissing-Parry Sound Catholic District School Board	40,138
44.	Northeastern Catholic District School Board	28,998
45.	Northwest Catholic District School Board	11,187
46.	Ottawa-Carleton Catholic District School Board	407,434
47.	Ottawa-Carleton District School Board	769,379
48.	Peel District School Board	1,242,647
49.	Peterborough Victoria Northumberland and Clarington Catholic District School Board	145,228

Item/Point	Column/Colonne 1	Column/Colonne 2
	Name of Board/Nom du conseil	Amount/Montant \$
50.	Rainbow District School Board	179,368
51.	Rainy River District School Board	37,040
52.	Renfrew County Catholic District School Board	51,104
53.	Renfrew County District School Board	128,801
54.	Simcoe County District School Board	482,631
55.	Simcoe Muskoka Catholic District School Board	201,866
56.	St. Clair Catholic District School Board	102,063
57.	Sudbury Catholic District School Board	73,223
58.	Superior North Catholic District School Board	13,883
59.	Superior-Greenstone District School Board	44,519
60.	Thames Valley District School Board	726,048
61.	Thunder Bay Catholic District School Board	71,575
62.	Toronto Catholic District School Board	826,645
63.	Toronto District School Board	3,003,553
64.	Trillium Lakelands District School Board	185,802
65.	Upper Canada District School Board	356,971
66.	Upper Grand District School Board	281,898
67.	Waterloo Catholic District School Board	204,641
68.	Waterloo Region District School Board	508,779
69.	Wellington Catholic District School Board	73,943
70.	Windsor-Essex Catholic District School Board	232,561
71.	York Catholic District School Board	475,081
72.	York Region District School Board	944,030

TABLE/TABLEAU 12

PERCENTAGE OF TOTAL AREA OF ELEMENTARY AND SECONDARY SCHOOLS LESS THAN 20 YEARS OLD OR 20 YEARS OR OLDER/POURCENTAGE DE LA SUPERFICIE TOTALE DES ÉCOLES ÉLÉMENTAIRES ET SECONDAIRES QUI DATENT DE MOINS DE 20 ANS OU DE 20 ANS OU PLUS

Item/Point	Column/Colonne 1	Column/Colonne 2	Column/Colonne 3	Column/Colonne 4	Column/Colonne 5
	Name of Board/Nom du conseil	% of Total Area of Elementary Schools that are Less than 20 Years Old/% de la superficie totale des écoles élémentaires qui datent de moins de 20 ans	% of Total Area of Elementary Schools that are 20 Years or Older/% de la superficie totale des écoles élémentaires qui datent de 20 ans ou plus	% of Total Area of Secondary Schools that are Less than 20 Years Old/% de la superficie totale des écoles secondaires qui datent de moins de 20 ans	% of Total Area of Secondary Schools that are 20 Years or Older/% de la superficie totale des écoles secondaires qui datent de 20 ans ou plus
1.	Algoma District School Board	3.85%	96.15%	0.00%	100.00%
2.	Algonquin and Lakeshore Catholic District School Board	14.50%	85.50%	57.79%	42.21%
3.	Avon Maitland District School Board	5.97%	94.03%	0.00%	100.00%
4.	Bluewater District School Board	5.84%	94.16%	11.49%	88.51%
5.	Brant Haldimand Norfolk Catholic District School Board	14.06%	85.94%	50.00%	50.00%
6.	Bruce-Grey Catholic District School Board	27.36%	72.64%	0.00%	100.00%
7.	Conseil de district des écoles publiques de langue française n° 59	39.90%	60.10%	14.24%	85.76%
8.	Conseil scolaire de district catholique Centre-Sud	48.01%	51.99%	46.63%	53.37%
9.	Conseil scolaire de district catholique de l'Est ontarien	10.89%	89.11%	0.00%	100.00%
10.	Conseil scolaire de district des écoles catholiques du Sud-Ouest	31.06%	68.94%	14.33%	85.67%
11.	Conseil scolaire de district catholique des Grandes Rivières	0.00%	100.00%	0.93%	99.07%
12.	Conseil scolaire de district catholique du Nouvel-Ontario	3.52%	96.48%	0.00%	100.00%

Item/ Point	Column/Colonne 1	Column/Colonne 2	Column/Colonne 3	Column/Colonne 4	Column/Colonne 5
	Name of Board/Nom du conseil	% of Total Area of Elementary Schools that are Less than 20 Years Old/% de la superficie totale des écoles élémentaires qui datent de moins de 20 ans	% of Total Area of Elementary Schools that are 20 Years or Older/% de la superficie totale des écoles élémentaires qui datent de 20 ans ou plus	% of Total Area of Secondary Schools that are Less than 20 Years Old/% de la superficie totale des écoles secondaires qui datent de moins de 20 ans	% of Total Area of Secondary Schools that are 20 Years or Older/% de la superficie totale des écoles secondaires qui datent de 20 ans ou plus
13.	Conseil scolaire de district du Nord-Est de l'Ontario	0.00%	100.00%	0.00%	100.00%
14.	Conseil scolaire de district catholique des Aurores boréales	0.00%	100.00%	0.00%	100.00%
15.	Conseil scolaire de district catholique du Centre-Est de l'Ontario	19.03%	80.97%	26.73%	73.27%
16.	Conseil scolaire de district du Grand Nord de l'Ontario	12.95%	87.05%	8.22%	91.78%
17.	Conseil scolaire de district catholique Franco-Nord	0.00%	100.00%	0.00%	100.00%
18.	Conseil scolaire de district du Centre Sud-Ouest	8.12%	91.88%	7.00%	93.00%
19.	District School Board Ontario North East	5.71%	94.29%	0.00%	100.00%
20.	District School Board of Niagara	4.96%	95.04%	0.71%	99.29%
21.	Dufferin-Peel Catholic District School Board	56.10%	43.90%	74.75%	25.25%
22.	Durham District School Board	39.36%	60.64%	15.07%	84.93%
23.	Durham Catholic District School Board	55.92%	44.08%	77.52%	22.48%
24.	Catholic District School Board of Eastern Ontario	27.22%	72.78%	80.15%	19.85%
25.	English-language Separate District School Board No. 38	9.38%	90.62%	64.35%	35.65%
26.	Grand Erie District School Board	5.20%	94.80%	6.33%	93.67%
27.	Greater Essex County District School Board	4.96%	95.04%	0.00%	100.00%
28.	Halton Catholic District School Board	38.04%	61.96%	57.50%	42.50%
29.	Halton District School Board	14.37%	85.63%	13.40%	86.60%
30.	Hamilton-Wentworth Catholic District School Board	17.77%	82.23%	67.39%	32.61%
31.	Hamilton-Wentworth District School Board	7.76%	92.24%	9.08%	90.92%
32.	Hastings and Prince Edward District School Board	3.10%	96.90%	0.00%	100.00%
33.	Huron-Perth Catholic District School Board	0.00%	100.00%	100.00%	0.00%
34.	Huron-Superior Catholic District School Board	0.00%	100.00%	0.00%	100.00%
35.	Kawartha Pine Ridge District School Board	17.29%	82.71%	0.00%	100.00%
36.	Keewatin-Patricia District School Board	14.24%	85.76%	0.00%	100.00%
37.	Kenora Catholic District School Board	14.24%	85.76%	100.00%	0.00%
38.	Lakehead District School Board	3.57%	96.43%	0.00%	100.00%
39.	Lambton Kent District School Board	2.31%	97.69%	0.00%	100.00%
40.	Limestone District School Board	5.13%	94.87%	0.33%	99.67%
41.	Near North District School Board	15.26%	84.74%	0.89%	99.11%
42.	Niagara Catholic District School Board	5.60%	94.40%	0.00%	100.00%
43.	Nipissing-Parry Sound Catholic District School Board	8.35%	91.65%	0.00%	100.00%
44.	Northeastern Catholic District School Board	6.35%	93.65%	0.00%	100.00%



Item/ Point	Column/Colonne 1	Column/Colonne 2	Column/Colonne 3	Column/Colonne 4	Column/Colonne 5
	Name of Board/Nom du conseil	% of Total Area of Elementary Schools that are Less than 20 Years Old/% de la superficie totale des écoles élémentaires qui datent de moins de 20 ans	% of Total Area of Elementary Schools that are 20 Years or Older/% de la superficie totale des écoles élémentaires qui datent de 20 ans ou plus	% of Total Area of Secondary Schools that are Less than 20 Years Old/% de la superficie totale des écoles secondaires qui datent de moins de 20 ans	% of Total Area of Secondary Schools that are 20 Years or Older/% de la superficie totale des écoles secondaires qui datent de 20 ans ou plus
45.	Northwest Catholic District School Board	32.66%	67.34%	0.00%	0.00%
46.	Ottawa-Carleton District School Board	19.51%	80.49%	7.42%	92.58%
47.	Ottawa-Carleton Catholic District School Board	26.08%	73.92%	28.35%	71.65%
48.	Peel District School Board	31.52%	68.48%	14.63%	85.37%
49.	Peterborough Victoria Northumberland & Clarington Catholic District School Board	40.72%	59.28%	100.00%	0.00%
50.	Rainbow District School Board	6.15%	93.85%	0.00%	100.00%
51.	Rainy River District School Board	7.46%	92.54%	0.00%	100.00%
52.	Renfrew County Catholic District School Board	0.00%	100.00%	36.32%	63.68%
53.	Renfrew County District School Board	6.41%	93.59%	0.00%	100.00%
54.	Simcoe County District School Board	20.09%	79.91%	0.00%	100.00%
55.	Simcoe Muskoka Catholic District School Board	64.54%	35.46%	100.00%	0.00%
56.	St. Clair Catholic District School Board	14.81%	85.19%	30.44%	69.56%
57.	Sudbury Catholic District School Board	0.00%	100.00%	26.36%	73.64%
58.	Superior North Catholic District School Board	10.53%	89.47%	0.00%	0.00%
59.	Superior-Greenstone District School Board	42.92%	57.08%	31.38%	68.62%
60.	Thames Valley District School Board	9.00%	91.00%	0.00%	100.00%
61.	Thunder Bay Catholic District School Board	6.83%	93.17%	0.00%	100.00%
62.	Toronto District School Board	7.98%	92.02%	2.07%	97.93%
63.	Toronto Catholic District School Board	10.50%	89.50%	19.59%	80.41%
64.	Trillium Lakelands District School Board	19.34%	80.66%	0.00%	100.00%
65.	Upper Grand District School Board	20.97%	79.03%	8.51%	91.49%
66.	Upper Canada District School Board	9.19%	90.81%	3.04%	96.96%
67.	Waterloo Region District School Board	20.08%	79.92%	5.03%	94.97%
68.	Waterloo Catholic District School Board	31.21%	68.79%	41.56%	58.44%
69.	Wellington Catholic District School Board	26.99%	73.01%	13.53%	86.47%
70.	Windsor-Essex Catholic District School Board	2.74%	97.26%	25.66%	74.34%
71.	York Catholic District School Board	65.29%	34.71%	85.24%	14.76%
72.	York Region District School Board	49.26%	50.74%	38.75%	61.25%

TABLE/TABLEAU 13

## SCHOOL RENEWAL ENHANCEMENT AMOUNT/AUGMENTATION AU TITRE DE LA RÉFECTION DES ÉCOLES

Item/Point	Column/Colonne 1	Column/Colonne 2
	Name of Board/Nom du conseil	Amount/Montant \$
1.	District School Board Ontario North East	296,769
2.	Algoma District School Board	610,342
3.	Rainbow District School Board	424,825

Item/Point	Column/Colonne 1	Column/Colonne 2
	Name of Board/Nom du conseil	Amount/Montant \$
4.	Near North District School Board	412,926
5.	Keewatin-Patricia District School Board	200,000
6.	Rainy River District School Board	200,000
7.	Lakehead District School Board	425,735
8.	Superior-Greenstone District School Board	200,000
9.	Bluewater District School Board	569,744
10.	Avon Maitland District School Board	613,151
11.	Greater Essex County District School Board	885,318
12.	Lambton Kent District School Board	720,778
13.	Thames Valley District School Board	937,238
14.	Toronto District School Board	4,724,847
15.	Durham District School Board	825,035
16.	Kawartha Pine Ridge District School Board	1,185,432
17.	Trillium Lakelands District School Board	229,255
18.	York Region District School Board	1,804,956
19.	Simcoe County District School Board	876,164
20.	Upper Grand District School Board	1,187,308
21.	Peel District School Board	1,934,039
22.	Halton District School Board	1,133,536
23.	Hamilton-Wentworth District School Board	1,480,155
24.	District School Board of Niagara	1,611,150
25.	Grand Erie District School Board	1,427,656
26.	Waterloo Region District School Board	1,262,811
27.	Ottawa-Carleton District School Board	2,744,424
28.	Upper Canada District School Board	2,055,456
29.	Limestone District School Board	784,094
30.	Renfrew County District School Board	673,097
31.	Hastings and Prince Edward District School Board	747,191
32.	Northeastern Catholic District School Board	200,000
33.	Nipissing-Parry Sound Catholic District School Board	200,000
34.	Huron-Superior Catholic District School Board	200,000
35.	Sudbury Catholic District School Board	200,000
36.	Northwest Catholic District School Board	200,000
37.	Kenora Catholic District School Board	200,000
38.	Thunder Bay Catholic District School Board	200,000
39.	Superior North Catholic District School Board	200,000
40.	Bruce-Grey Catholic District School Board	200,000
41.	Huron Perth Catholic District School Board	200,000
42.	Windsor-Essex Catholic District School Board	408,943
43.	English-language Separate District School Board No. 38	627,292
44.	St. Clair Catholic District School Board	200,000
45.	Toronto Catholic District School Board	3,519,937
46.	Peterborough Victoria Northumberland and Clarington Catholic District School Board	200,000
47.	York Catholic District School Board	322,699
48.	Dufferin-Peel Catholic District School Board	730,538
49.	Simcoe Muskoka Catholic District School Board	221,824
50.	Durham Catholic District School Board	258,352
51.	Halton Catholic District School Board	200,000
52.	Hamilton-Wentworth Catholic District School Board	538,288
53.	Wellington Catholic District School Board	200,000
54.	Waterloo Catholic District School Board	564,787
55.	Niagara Catholic District School Board	717,296
56.	Brant Haldimand Norfolk Catholic District School Board	200,000
57.	Catholic District School Board of Eastern Ontario	206,455
58.	Ottawa-Carleton Catholic District School Board	855,428
59.	Renfrew County Catholic District School Board	200,000
60.	Algonquin and Lakeshore Catholic District School Board	316,877
61.	Conseil scolaire de district du Nord-Est de l'Ontario	200,000
62.	Conseil scolaire de district du Grand Nord de l'Ontario	200,000
63.	Conseil scolaire de district du Centre Sud-Ouest	445,205
64.	Conseil de district des écoles publiques de langue française n° 59	224,712

Item/Point	Column/Colonne 1	Column/Colonne 2
	Name of Board/Nom du conseil	Amount/Montant \$
65.	Conseil scolaire de district catholique des Grandes Rivières	642,303
66.	Conseil scolaire de district catholique Franco-Nord	278,201
67.	Conseil scolaire de district catholique du Nouvel-Ontario	298,186
68.	Conseil scolaire de district catholique des Aurores boréales	200,000
69.	Conseil scolaire de district des écoles catholiques du Sud-Ouest	210,185
70.	Conseil scolaire de district catholique Centre-Sud	230,648
71.	Conseil scolaire de district catholique de l'Est ontarien	688,004
72.	Conseil scolaire de district catholique du Centre-Est de l'Ontario	654,625

TABLE/TABLEAU 14  
GEOGRAPHIC ADJUSTMENT FACTORS/FACTEURS DE REDRESSEMENT GÉOGRAPHIQUE

Item/Point	Column/Colonne 1	Column/Colonne 2	Column/Colonne 3
	Name of Board/Nom du conseil	1998 Geographic Adjustment Factor/Facteur de redressement géographique de 1998	2005 Geographic Adjustment Factor/Facteur de redressement géographique de 2005
1.	District School Board Ontario North East	1.120	1.290
2.	Algoma District School Board	1.106	1.150
3.	Rainbow District School Board	1.063	1.160
4.	Near North District School Board	1.042	1.140
5.	Keewatin-Patricia District School Board	1.144	1.390
6.	Rainy River District School Board	1.142	1.390
7.	Lakehead District School Board	1.080	1.220
8.	Superior-Greenstone District School Board	1.141	1.390
9.	Bluewater District School Board	1.007	1.010
10.	Avon Maitland District School Board	1.010	1.000
11.	Greater Essex County District School Board	1.000	0.970
12.	Lambton Kent District School Board	1.000	0.990
13.	Thames Valley District School Board	1.000	0.970
14.	Toronto District School Board	1.000	1.000
15.	Durham District School Board	1.000	0.980
16.	Kawartha Pine Ridge District School Board	1.003	0.990
17.	Trillium Lakelands District School Board	1.026	1.080
18.	York Region District School Board	1.000	1.000
19.	Simcoe County District School Board	1.000	1.000
20.	Upper Grand District School Board	1.000	0.980
21.	Peel District School Board	1.000	1.000
22.	Halton District School Board	1.000	0.990
23.	Hamilton-Wentworth District School Board	1.000	0.960
24.	District School Board of Niagara	1.000	0.970
25.	Grand Erie District School Board	1.000	0.990
26.	Waterloo Region District School Board	1.000	0.960
27.	Ottawa-Carleton District School Board	1.000	0.960
28.	Upper Canada District School Board	1.000	0.990
29.	Limestone District School Board	1.015	0.980
30.	Renfrew County District School Board	1.000	1.000
31.	Hastings and Prince Edward District School Board	1.025	0.990
32.	Northeastern Catholic District School Board	1.123	1.270
33.	Nipissing-Parry Sound Catholic District School Board	1.042	1.120
34.	Huron-Superior Catholic District School Board	1.104	1.130
35.	Sudbury Catholic District School Board	1.048	1.150
36.	Northwest Catholic District School Board	1.149	1.390
37.	Kenora Catholic District School Board	1.143	1.390
38.	Thunder Bay Catholic District School Board	1.074	1.200
39.	Superior North Catholic District School Board	1.146	1.390
40.	Bruce-Grey Catholic District School Board	1.007	1.010
41.	Huron Perth Catholic District School Board	1.011	1.000
42.	Windsor-Essex Catholic District School Board	1.000	0.960
43.	English-language Separate District School Board No. 38	1.000	0.960

Item/Point	Column/Colonne 1	Column/Colonne 2	Column/Colonne 3
	Name of Board/Nom du conseil	1998 Geographic Adjustment Factor/Facteur de redressement géographique de 1998	2005 Geographic Adjustment Factor/Facteur de redressement géographique de 2005
44.	St. Clair Catholic District School Board	1.000	0.980
45.	Toronto Catholic District School Board	1.000	1.000
46.	Peterborough Victoria Northumberland and Clarington Catholic District School Board	1.003	0.980
47.	York Catholic District School Board	1.000	1.000
48.	Dufferin-Peel Catholic District School Board	1.000	1.000
49.	Simcoe Muskoka Catholic District School Board	1.000	1.010
50.	Durham Catholic District School Board	1.000	0.970
51.	Halton Catholic District School Board	1.000	0.990
52.	Hamilton-Wentworth Catholic District School Board	1.000	0.950
53.	Wellington Catholic District School Board	1.000	0.970
54.	Waterloo Catholic District School Board	1.000	0.960
55.	Niagara Catholic District School Board	1.000	0.970
56.	Brant Haldimand Norfolk Catholic District School Board	1.000	0.980
57.	Catholic District School Board of Eastern Ontario	1.000	0.980
58.	Ottawa-Carleton Catholic District School Board	1.000	0.950
59.	Renfrew County Catholic District School Board	1.000	1.000
60.	Algonquin and Lakeshore Catholic District School Board	1.032	0.980
61.	Conseil scolaire de district du Nord-Est de l'Ontario	1.110	1.240
62.	Conseil scolaire de district du Grand Nord de l'Ontario	1.116	1.230
63.	Conseil scolaire de district du Centre Sud-Ouest	1.000	0.980
64.	Conseil de district des écoles publiques de langue française n° 59	1.000	0.960
65.	Conseil scolaire de district catholique des Grandes Rivières	1.123	1.300
66.	Conseil scolaire de district catholique Franco-Nord	1.043	1.150
67.	Conseil scolaire de district catholique du Nouvel-Ontario	1.118	1.190
68.	Conseil scolaire de district catholique des Aurores boréales	1.100	1.340
69.	Conseil scolaire de district des écoles catholiques du Sud-Ouest	1.000	0.970
70.	Conseil scolaire de district catholique Centre-Sud	1.000	0.980
71.	Conseil scolaire de district catholique de l'Est ontarien	1.000	1.010
72.	Conseil scolaire de district catholique du Centre-Est de l'Ontario	1.000	0.960

TABLE/TABLEAU 15

GOOD PLACES TO LEARN – STAGE 1 ALLOCATIONS/LIEUX PROPICES À L'APPRENTISSAGE – PREMIÈRE PHASE D'ALLOCATIONS

Item/Point	Column/Colonne 1	Column/Colonne 2
	Name of Board/Nom du conseil	Allocation to Address Urgent and High Priority Projects/Somme liée aux besoins urgents et importants \$
1.	District School Board Ontario North East	407,385
2.	Algoma District School Board	626,046
3.	Rainbow District School Board	818,346
4.	Near North District School Board	830,903
5.	Keewatin-Patricia District School Board	307,766
6.	Rainy River District School Board	78,026
7.	Lakehead District School Board	534,117
8.	Superior-Greenstone District School Board	109,018
9.	Bluewater District School Board	1,046,352
10.	Avon Maitland District School Board	1,144,715
11.	Greater Essex County District School Board	1,987,251
12.	Lambton Kent District School Board	1,013,342
13.	Thames Valley District School Board	2,845,218
14.	Toronto District School Board	12,760,658
15.	Durham District School Board	2,481,346
16.	Kawartha Pine Ridge District School Board	1,449,251

Item/ Point	Column/Colonne 1	Column/Colonne 2
	Name of Board/Nom du conseil	Allocation to Address Urgent and High Priority Projects/Somme liée aux besoins urgents et importants \$
17.	Trillium Lakelands District School Board	423,213
18.	York Region District School Board	1,990,313
19.	Simcoe County District School Board	2,434,190
20.	Upper Grand District School Board	1,122,197
21.	Peel District School Board	3,804,606
22.	Halton District School Board	1,459,684
23.	Hamilton-Wentworth District School Board	2,480,705
24.	District School Board of Niagara	3,616,792
25.	Grand Erie District School Board	1,444,476
26.	Waterloo Region District School Board	1,799,029
27.	Ottawa-Carleton District School Board	3,512,974
28.	Upper Canada District School Board	786,995
29.	Limestone District School Board	1,676,066
30.	Renfrew County District School Board	704,956
31.	Hastings and Prince Edward District School Board	1,291,739
32.	Northeastern Catholic District School Board	42,475
33.	Nipissing-Parry Sound Catholic District School Board	211,693
34.	Huron-Superior Catholic District School Board	257,101
35.	Sudbury Catholic District School Board	482,232
36.	Northwest Catholic District School Board	17,308
37.	Kenora Catholic District School Board	22,589
38.	Thunder Bay Catholic District School Board	408,038
39.	Superior North Catholic District School Board	105,074
40.	Bruce-Grey Catholic District School Board	105,582
41.	Huron-Perth Catholic District School Board	81,525
42.	Windsor-Essex Catholic District School Board	588,780
43.	English-language Separate District School Board No. 38	430,814
44.	St. Clair Catholic District School Board	286,864
45.	Toronto Catholic District School Board	2,711,441
46.	Peterborough Victoria Northumberland and Clarington Catholic District School Board	165,310
47.	York Catholic District School Board	758,235
48.	Dufferin-Peel Catholic District School Board	963,766
49.	Simcoe Muskoka Catholic District School Board	442,223
50.	Durham Catholic District School Board	202,625
51.	Halton Catholic District School Board	113,280
52.	Hamilton-Wentworth Catholic District School Board	579,304
53.	Wellington Catholic District School Board	119,995
54.	Waterloo Catholic District School Board	442,449
55.	Niagara Catholic District School Board	1,256,336
56.	Brant Haldimand Norfolk Catholic District School Board	271,813
57.	Catholic District School Board of Eastern Ontario	448,467
58.	Ottawa-Carleton Catholic District School Board	1,428,956
59.	Renfrew County Catholic District School Board	168,744
60.	Algonquin and Lakeshore Catholic District School Board	401,585
61.	Conseil scolaire de district du Nord-Est de l'Ontario	28,197
62.	Conseil scolaire de district du Grand Nord de l'Ontario	185,970
63.	Conseil scolaire de district du Centre Sud-Ouest	551,444
64.	Conseil de district des écoles publiques de langue française n° 59	442,378
65.	Conseil scolaire de district catholique des Grandes Rivières	367,083
66.	Conseil scolaire de district catholique Franco-Nord	259,891
67.	Conseil scolaire de district catholique du Nouvel-Ontario	557,094
68.	Conseil scolaire de district catholique des Aurores boréales	39,490
69.	Conseil scolaire de district des écoles catholiques du Sud-Ouest	288,374
70.	Conseil scolaire de district catholique Centre-Sud	478,083
71.	Conseil scolaire de district catholique de l'Est ontarien	825,086
72.	Conseil scolaire de district catholique du Centre-Est de l'Ontario	474,633

TABLE/TABLEAU 16  
OUTSTANDING CAPITAL COMMITMENTS/ENGAGEMENTS D'IMMOBILISATIONS NON RÉALISÉS

Item/ Point	Column/Colonne 1	Column/Colonne 2	Column/Colonne 3
	Board Name/Nom du conseil	Pupil Places — Elementary/Places à l'élémentaire	Pupil Places — Secondary/Places au secondaire
1.	Bluewater District School Board	0	111
2.	Conseil scolaire de district catholique de l'Est ontarien	41	0
3.	Conseil scolaire de district catholique Centre-Sud	0	452
4.	Conseil scolaire de district du Centre Sud-Ouest	144	0
5.	District School Board Ontario North East	281	0
6.	Dufferin-Peel Catholic District School Board	274	0
7.	Durham Catholic District School Board	79	0
8.	Greater Essex County District School Board	0	122
9.	Hamilton-Wentworth Catholic District School Board	204	224
10.	Keewatin-Patricia District School Board	69	0
11.	Near North District School Board	681	0
12.	Ottawa-Carleton District School Board	0	107
13.	Peel District School Board	0	83
14.	Simcoe County District School Board	91	0
15.	Simcoe Muskoka Catholic District School Board	274	0
16.	Superior-Greenstone District School Board	0	80
17.	Toronto Catholic District School Board	0	25
18.	Upper Grand District School Board	0	188

TABLE/TABLEAU 17

CAPITAL RELATED DEBT ELIGIBLE FOR FUNDING SUPPORT BY DISTRICT SCHOOL BOARD/DETTE LIÉE  
AUX IMMOBILISATIONS ADMISSIBLE À UN SOUTIEN FINANCIER, PAR CONSEIL SCOLAIRE DE DISTRICT

Item/ Point	Column/Colonne 1	Column/Colonne 2	Column/Colonne 3
		Outstanding Principal as at August 31, 2001/Capital impayé au 31 août 2001	
	Name of Board/Nom du conseil	Permanently Financed/Avec financement permanent \$	Non-permanently Financed/Sans financement permanent \$
1.	District School Board Ontario North East	2,284,000	3,902,251
2.	Algoma District School Board	935,011	0
3.	Rainbow District School Board	990,000	0
4.	Near North District School Board	991,784	5,277,832
5.	Keewatin-Patricia District School Board	2,038,438	9,353,273
6.	Rainy River District School Board	0	13,256,444
7.	Lakehead District School Board	13,846,787	1,329,751
8.	Superior-Greenstone District School Board	380,796	1,718,287
9.	Bluewater District School Board	7,057,791	10,584,205
10.	Avon Maitland District School Board	140,000	2,908,191
11.	Greater Essex County District School Board	5,322,280	23,888,134
12.	Lambton Kent District School Board	0	9,995,260
13.	Thames Valley District School Board	25,868,077	107,065,578
14.	Toronto District School Board	163,022,903	275,146,340
15.	Durham District School Board	30,619,000	0
16.	Kawartha Pine Ridge District School Board	17,945,659	15,044,574
17.	Trillium Lakelands District School Board	26,528,182	7,875,676
18.	York Region District School Board	66,296,399	11,433,816
19.	Simcoe County District School Board	34,727,890	27,129,972
20.	Upper Grand District School Board	8,046,000	11,377,073
21.	Peel District School Board	21,082,542	13,896,303
22.	Halton District School Board	39,359,093	7,293,741
23.	Hamilton-Wentworth District School Board	41,514,451	16,675,861
24.	District School Board of Niagara	1,987,230	9,176,721
25.	Grand Erie District School Board	6,515,674	3,520,453

Item/ Point	Column/Colonne 1	Column/Colonne 2	Column/Colonne 3
		Outstanding Principal as at August 31, 2001/Capital impayé au 31 août 2001	
	Name of Board/Nom du conseil	Permanently Financed/Avec financement permanent \$	Non-permanently Financed/Sans financement permanent \$
26.	Waterloo Region District School Board	13,089,250	1,407,664
27.	Ottawa-Carleton District School Board	19,695,586	33,867,011
28.	Upper Canada District School Board	13,087,000	0
29.	Limestone District School Board	1,720,215	6,139,800
30.	Renfrew County District School Board	326,000	3,361,213
31.	Hastings and Prince Edward District School Board	0	0
32.	Northeastern Catholic District School Board	5,074,104	0
33.	Nipissing-Parry Sound Catholic District School Board	3,157,000	0
34.	Huron-Superior Catholic District School Board	840,787	0
35.	Sudbury Catholic District School Board	2,032,787	185,141
36.	Northwest Catholic District School Board	0	0
37.	Kenora Catholic District School Board	2,120,648	0
38.	Thunder Bay Catholic District School Board	1,581,000	7,004,084
39.	Superior North Catholic District School Board	789,499	0
40.	Bruce-Grey Catholic District School Board	0	0
41.	Huron-Perth Catholic District School Board	0	1,823,717
42.	Windsor-Essex Catholic District School Board	21,728,370	21,647,385
43.	English-language Separate District School Board No. 38	13,163,955	5,331,454
44.	St. Clair Catholic District School Board	16,408,300	2,663,378
45.	Toronto Catholic District School Board	83,749,743	50,530,667
46.	Peterborough Victoria Northumberland and Clarington Catholic District School Board	25,502,314	0
47.	York Catholic District School Board	87,445,813	3,007,847
48.	Dufferin-Peel Catholic District School Board	15,560,434	45,225,666
49.	Simcoe Muskoka Catholic District School Board	33,717,356	5,411,046
50.	Durham Catholic District School Board	8,240,960	0
51.	Halton Catholic District School Board	29,596,207	635,900
52.	Hamilton-Wentworth Catholic District School Board	30,542,204	14,110,520
53.	Wellington Catholic District School Board	8,264,313	0
54.	Waterloo Catholic District School Board	31,488,696	5,341,898
55.	Niagara Catholic District School Board	37,971,903	1,576,995
56.	Brant Haldimand Norfolk Catholic District School Board	6,159,000	1,965,017
57.	Catholic District School Board of Eastern Ontario	5,113,271	5,138,565
58.	Ottawa-Carleton Catholic District School Board	23,375,000	4,537,537
59.	Renfrew County Catholic District School Board	313,062	8,891,329
60.	Algonquin and Lakeshore Catholic District School Board	4,534,944	10,286,245
61.	Conseil scolaire de district du Nord-Est de l'Ontario	0	1,561,697
62.	Conseil scolaire de district du Grand Nord de l'Ontario	0	0
63.	Conseil scolaire de district du Centre Sud-Ouest	4,107,626	7,652,471
64.	Conseil de district des écoles publiques de langue française n° 59	2,590,831	2,823,908
65.	Conseil scolaire de district catholique des Grandes Rivières	3,327,994	391,453
66.	Conseil scolaire de district catholique Franco-Nord	0	1,416,482
67.	Conseil scolaire de district catholique du Nouvel-Ontario	792,253	629,797
68.	Conseil scolaire de district catholique des Aurores boréales	0	0
69.	Conseil scolaire de district des écoles catholiques du Sud-Ouest	0	13,125,508
70.	Conseil scolaire de district catholique Centre-Sud	0	14,404,135
71.	Conseil scolaire de district catholique de l'Est ontarien	3,850,994	1,003,420
72.	Conseil scolaire de district catholique du Centre-Est de l'Ontario	13,648,851	11,237,346

TABLE/TABLEAU 18

PER PUPIL EXCLUSION FOR DECLINING ENROLMENT ADJUSTMENT/MONTANT PAR ÉLÈVE À EXCLURE DU REDRESSEMENT POUR BAISSÉ DES EFFECTIFS

Item/Point	Column/Colonne 1	Column/Colonne 2
	Name of Board/Nom du conseil	Amount/Montant \$
1.	District School Board Ontario North East	356.35

Item/Point	Column/Colonne 1	Column/Colonne 2
	Name of Board/Nom du conseil	Amount/Montant \$
2.	Algoma District School Board	325.34
3.	Rainbow District School Board	283.21
4.	Near North District School Board	283.28
5.	Keewatin-Patricia District School Board	318.19
6.	Rainy River District School Board	354.67
7.	Lakehead District School Board	278.39
8.	Superior-Greenstone District School Board	374.41
9.	Bluewater District School Board	274.61
10.	Avon Maitland District School Board	266.48
11.	Greater Essex County District School Board	236.21
12.	Lambton Kent District School Board	270.05
13.	Thames Valley District School Board	239.46
14.	Toronto District School Board	242.33
15.	Durham District School Board	240.75
16.	Kawartha Pine Ridge District School Board	246.23
17.	Trillium Lakelands District School Board	257.98
18.	York Region District School Board	244.75
19.	Simcoe County District School Board	242.52
20.	Upper Grand District School Board	241.23
21.	Peel District School Board	234.77
22.	Halton District School Board	237.41
23.	Hamilton-Wentworth District School Board	240.06
24.	District School Board of Niagara	263.41
25.	Grand Erie District School Board	265.34
26.	Waterloo Region District School Board	240.71
27.	Ottawa-Carleton District School Board	248.76
28.	Upper Canada District School Board	265.84
29.	Limestone District School Board	253.04
30.	Renfrew County District School Board	318.93
31.	Hastings and Prince Edward District School Board	256.88
32.	Northeastern Catholic District School Board	257.73
33.	Nipissing-Parry Sound Catholic District School Board	258.96
34.	Huron-Superior Catholic District School Board	262.24
35.	Sudbury Catholic District School Board	266.45
36.	Northwest Catholic District School Board	226.04
37.	Kenora Catholic District School Board	265.15
38.	Thunder Bay Catholic District School Board	243.51
39.	Superior North Catholic District School Board	364.57
40.	Bruce-Grey Catholic District School Board	257.67
41.	Huron Perth Catholic District School Board	245.67
42.	Windsor-Essex Catholic District School Board	241.47
43.	English-language Separate District School Board No. 38	242.28
44.	St. Clair Catholic District School Board	233.78
45.	Toronto Catholic District School Board	235.78
46.	Peterborough Victoria Northumberland and Clarington Catholic District School Board	247.97
47.	York Catholic District School Board	233.16
48.	Dufferin-Peel Catholic District School Board	245.49
49.	Simcoe Muskoka Catholic District School Board	242.30
50.	Durham Catholic District School Board	241.01
51.	Halton Catholic District School Board	235.67
52.	Hamilton-Wentworth Catholic District School Board	239.85
53.	Wellington Catholic District School Board	231.00
54.	Waterloo Catholic District School Board	233.31
55.	Niagara Catholic District School Board	238.12
56.	Brant Haldimand Norfolk Catholic District School Board	238.27
57.	Catholic District School Board of Eastern Ontario	245.58
58.	Ottawa-Carleton Catholic District School Board	243.29
59.	Renfrew County Catholic District School Board	239.81
60.	Algonquin and Lakeshore Catholic District School Board	251.21
61.	Conseil scolaire de district du Nord-Est de l'Ontario	319.68
62.	Conseil scolaire de district du Grand Nord de l'Ontario	355.44



Item/Point	Column/Colonne 1	Column/Colonne 2
	Name of Board/Nom du conseil	Amount/Montant \$
63.	Conseil scolaire de district du Centre Sud-Ouest	253.49
64.	Conseil de district des écoles publiques de langue française n° 59	271.34
65.	Conseil scolaire de district catholique des Grandes Rivières	340.37
66.	Conseil scolaire de district catholique Franco-Nord	371.66
67.	Conseil scolaire de district catholique du Nouvel-Ontario	356.19
68.	Conseil scolaire de district catholique des Aurores boréales	279.83
69.	Conseil scolaire de district des écoles catholiques du Sud-Ouest	246.18
70.	Conseil scolaire de district catholique Centre-Sud	233.60
71.	Conseil scolaire de district catholique de l'Est ontarien	298.97
72.	Conseil scolaire de district catholique du Centre-Est de l'Ontario	243.87

TABLE/TABLEAU 19

## CLASSROOM EXPENDITURE PERCENTAGES/POURCENTAGES DES DÉPENSES LIÉES AUX CLASSES

Item/Point	Column/Colonne 1	Column/Colonne 2	Column/Colonne 3
	Amounts/Sommes	Elementary % allocated to the classroom/% alloué aux classes de l'élémentaire	Secondary % allocated to the classroom/% alloué aux classes du secondaire
1.	Foundation Allocation/Élément éducation de base	86.50%	89.39%
2.	Teacher qualification and experience/Rémunération des enseignants	100.00%	100.00%
3.	Remote & Rural Allocation/Élément conseils ruraux et éloignés	78.21%	76.42%
4.	Adult Day School/Éducation des adultes de jour		89.97%
5.	Native Language and French as a First or Second Language/Langue autochtone et français langue première ou langue seconde	97.96%	98.02%
6.	ESL/ESD/PDF	96.00%	98.05%
7.	ALF	98.39%	97.65%
8.	Learning Opportunities/Programmes d'aide à l'apprentissage	81.96%	82.13%

TABLE/TABLEAU 20

## RURAL SCHOOLS/ÉCOLES RURALES

Item/Point	Column/Colonne 1	Column/Colonne 2	Column/Colonne 3	Column/Colonne 4	Column/Colonne 5
	Name of Board/Nom du conseil	SFIS No./N° du SIIS	Elementary School/École élémentaire	Secondary School/École secondaire	Location/Lieu
1.	Algoma District School Board	208	Blind River PS		Blind River
2.	Algoma District School Board	5235		W C Eaket SS	Blind River
3.	Algoma District School Board	271	Arthur Henderson PS		Town of Bruce Mines
4.	Algoma District School Board	2930	Arthur Henderson - A PS		Town of Bruce Mines
5.	Algoma District School Board	7609		Chapleau, Es	Township of Chapleau
6.	Algoma District School Board	7611	Chapleau Public School		Township of Chapleau
7.	Algoma District School Board	1219	Johnson-Tarbutt Central PS		Township of Johnson
8.	Algoma District School Board	5206		Central Algoma SS	Township of Johnson
9.	Algoma District School Board	698	Echo Bay Central PS		Township of Macdonald, Meredith And Aberdeen Additional
10.	Algoma District School Board	1306	Laird Central PS		Township of Laird
11.	Algoma District School Board	800	Mountain View PS		Goulais River
12.	Algoma District School Board	7598		Hornepayne HS	Township of Hornepayne
13.	Algoma District School Board	9325	Hornepayne Public School		Township of Hornepayne

Item/ Point	Column/Colonne 1	Column/Colonne 2	Column/Colonne 3	Column/Colonne 4	Column/Colonne 5
	Name of Board/Nom du conseil	SFIS No./N° du SIIS	Elementary School/École élémentaire	Secondary School/École secondaire	Location/Lieu
14.	Algoma District School Board	1151	Iron Bridge PS		Municipality of Huron Shores
15.	Algoma District School Board	2219	St Joseph Island Central S		Township of St. Joseph
16.	Algoma District School Board	114	Aweres 1 PS		City of Sault Ste. Marie
17.	Algoma District School Board	969	Greenwood PS		City of Sault Ste. Marie
18.	Algoma District School Board	1946	R M Moore PS		City of Sault Ste. Marie
19.	Algoma District School Board	2279	Tarentorus PS		City of Sault Ste. Marie
20.	Algoma District School Board	3010	Rockhaven TR School		Serpent River
21.	Algoma District School Board	2119	Spanish PS		Township of Shedden
22.	Algoma District School Board	2300	Thessalon PS (Annex-Federation St)		Town of Thessalon
23.	Algoma District School Board	6288	Thessalon PS		Town of Thessalon
24.	Algoma District School Board	7600	Sir James Dunn P.S.		Township of Michipicoten
25.	Algoma District School Board	7601		Michipicoten HS	Township of Michipicoten
26.	Algonquin and Lakeshore Catholic District School Board	9231	Our Lady of Mercy Catholic School		Town of Bancroft
27.	Algonquin and Lakeshore Catholic District School Board	9225	Sacred Heart Catholic School, Batawa		City of Quinte West
28.	Algonquin and Lakeshore Catholic District School Board	6525	St Mary Catholic School, Enterprise		Township of Stone Mills
29.	Algonquin and Lakeshore Catholic District School Board	6526	St Patrick Catholic School, Erinsville		Township of Stone Mills
30.	Algonquin and Lakeshore Catholic District School Board	4381	St Patrick Catholic School, Harrowsmith		Township of South Frontenac
31.	Algonquin and Lakeshore Catholic District School Board	3302	Holy Name Catholic School		City of Kingston
32.	Algonquin and Lakeshore Catholic District School Board	9229	Sacred Heart Catholic School, Marmora		Municipality of Marmora And Lake
33.	Algonquin and Lakeshore Catholic District School Board	9226	Holy Name of Mary Catholic School		Township of Tyendinaga
34.	Algonquin and Lakeshore Catholic District School Board	9227	St Gregory Catholic School		City of Prince Edward County
35.	Algonquin and Lakeshore Catholic District School Board	9228	St Mary Catholic School, Read		Township of Tyendinaga
36.	Algonquin and Lakeshore Catholic District School Board	6527	St James Major Catholic School		Township of Central Frontenac
37.	Algonquin and Lakeshore Catholic District School Board	9230	St Carthage Catholic School		Municipality of Tweed
38.	Algonquin and Lakeshore Catholic District School Board	9233	St Martin Catholic School		Township of South Algonquin
39.	Algonquin and Lakeshore Catholic District School Board	6528	Sacred Heart Catholic School, Wolfe Island		Township of Frontenac Islands
40.	Avon Maitland District School Board	731	Elma Township		Town of North Perth
41.	Avon Maitland District School Board	165	East Wawanosh PS		Township of North Huron
42.	Avon Maitland District School Board	213	Blyth PS		Township of North Huron
43.	Avon Maitland District School Board	1134	Huron Centennial S		Municipality of Bluewater
44.	Avon Maitland District School Board	275	Brussels PS		Municipality of Huron East
45.	Avon Maitland District School Board	467	Clinton PS		Municipality of Central Huron
46.	Avon Maitland District School Board	1102	Holmesville PS		Municipality of Central Huron
47.	Avon Maitland District School Board	5272		Central Huron SS	Municipality of Central Huron

Item/ Point	Column/Colonne 1	Column/Colonne 2	Column/Colonne 3	Column/Colonne 4	Column/Colonne 5
	Name of Board/Nom du conseil	SFIS No./N° du SIIS	Elementary School/École élémentaire	Secondary School/École secondaire	Location/Lieu
48.	Avon Maitland District School Board	2230	Stephen Central PS		Municipality of South Huron
49.	Avon Maitland District School Board	973	Grey Central PS		Municipality of Huron East
50.	Avon Maitland District School Board	771	Exeter PS		Municipality of South Huron
51.	Avon Maitland District School Board	2347	Usborne Central S		Municipality of South Huron
52.	Avon Maitland District School Board	5665		South Huron DHS	Municipality of South Huron
53.	Avon Maitland District School Board	2585	Colborne Central S		Township of Ashfield-Colborne-Wawanosh
54.	Avon Maitland District School Board	1115	Howick Central S		Township of Howick
55.	Avon Maitland District School Board	2412	Wallace PS		Town of North Perth
56.	Avon Maitland District School Board	1048	Hensall PS		Municipality of Bluewater
57.	Avon Maitland District School Board	1119	Hullett Central PS		Municipality of Central Huron
58.	Avon Maitland District School Board	266	Brookside PS		Township of Ashfield-Colborne-Wawanosh
59.	Avon Maitland District School Board	1549	Milverton PS		Township of Perth East
60.	Avon Maitland District School Board	1555		Mitchell DHS	Municipality of West Perth
61.	Avon Maitland District School Board	2346	Upper Thames E S		Municipality of West Perth
62.	Avon Maitland District School Board	5526	Mitchell PS		Municipality of West Perth
63.	Avon Maitland District School Board	1566	Mornington Central PS		Township of Perth East
64.	Avon Maitland District School Board	5634	Seaforth PS		Municipality of Huron East
65.	Avon Maitland District School Board	384	Central Perth E S		Township of Perth East
66.	Avon Maitland District School Board	2207	Sprucedale PS		Township of Perth East
67.	Avon Maitland District School Board	2184	South Perth Centennial PS		Township of Perth South
68.	Avon Maitland District School Board	609	Downie Central PS		Township of Perth South
69.	Avon Maitland District School Board	1652	North Easthope PS		Township of Perth East
70.	Avon Maitland District School Board	2334	Turnberry Central PS		Municipality of Morris-Turnberry
71.	Avon Maitland District School Board	2537	Wingham PS		Township of North Huron
72.	Avon Maitland District School Board	5763		F E Madill SS	Township of North Huron
73.	Avon Maitland District School Board	2590	Zurich PS		Municipality of Bluewater
74.	Bluewater District School Board	1640	Normanby Community S		Township of West Grey
75.	Bluewater District School Board	713	Kinghurst PS		Municipality of Arran-Elderslie
76.	Bluewater District School Board	6083		Chesley District High School	Municipality of Arran-Elderslie
77.	Bluewater District School Board	2254	Sullivan Community S		Township of Chatsworth
78.	Bluewater District School	1894	Dundalk & Proton		Township of Southgate

Item/ Point	Column/Colonne 1	Column/Colonne 2	Column/Colonne 3	Column/Colonne 4	Column/Colonne 5
	Name of Board/Nom du conseil	SFIS No./N° du SIIS	Elementary School/École élémentaire	Secondary School/École secondaire	Location/Lieu
	Board		Community S		
79.	Bluewater District School Board	9315	Dundalk Highpoint School		Township of Southgate
80.	Bluewater District School Board	653	Spruce Ridge Elementary		Township of West Grey
81.	Bluewater District School Board	5404		Grey Highlands SS	Municipality of Grey Highlands
82.	Bluewater District School Board	10582	Macphail Memorial Elementary School		Municipality of Grey Highlands
83.	Bluewater District School Board	1049	Hepworth Central School		Town of The South Bruce Peninsula
84.	Bluewater District School Board	1099	Holland-Chatsworth Central S		Township of Chatsworth
85.	Bluewater District School Board	710	Egremont Community S		Township of Southgate
86.	Bluewater District School Board	1265	Kincardine Township-Tiverton PS		Municipality of Kincardine
87.	Bluewater District School Board	272	Bruce Peninsula District S(Elem)		Municipality of Northern Bruce Peninsula
88.	Bluewater District School Board	273		Bruce Peninsula District S (Sec)	Municipality of Northern Bruce Peninsula
89.	Bluewater District School Board	1399	Lucknow Central PS		Township of Huron-Kinloss
90.	Bluewater District School Board	1464	Beavercrest Community S		Municipality of Grey Highlands
91.	Bluewater District School Board	385	Osprey Central S		Municipality of Grey Highlands
92.	Bluewater District School Board	1537	Mildmay-Carrick Central S		Municipality of South Bruce
93.	Bluewater District School Board	1744	Paisley Central School		Municipality of Arran-Elderslie
94.	Bluewater District School Board	1651	Northport E S		Town of Saugeen Shores
95.	Bluewater District School Board	1842	Port Elgin-Saugeen Central S		Town of Saugeen Shores
96.	Bluewater District School Board	5626		Saugeen DSS	Town of Saugeen Shores
97.	Bluewater District School Board	9373	Ripley Huron Community School		Township of Huron-Kinloss
98.	Bluewater District School Board	54	Amabel-Sauble Community S		Town of The South Bruce Peninsula
99.	Bluewater District School Board	2189	G C Huston P S		Town of Saugeen Shores
100.	Bluewater District School Board	98	Arran Tara E S		Municipality of Arran-Elderslie
101.	Bluewater District School Board	1080	Hillcrest Central S		Municipality of South Bruce
102.	Bluewater District School Board	2303	Beaver Valley Community S		Town of The Blue Mountains
103.	Bluewater District School Board	2214	St Edmunds PS		Municipality of Northern Bruce Peninsula
104.	Bluewater District School Board	229	Brant Township Central S		Municipality of Brockton
105.	Bluewater District School Board	2411	Walkerton PS		Municipality of Brockton
106.	Bluewater District School Board	5726		Walkerton DSS	Municipality of Brockton
107.	Bluewater District School	2499	Warton PS		Town of The South

Item/ Point	Column/Colonne 1	Column/Colonne 2	Column/Colonne 3	Column/Colonne 4	Column/Colonne 5
	Name of Board/Nom du conseil	SFIS No./N° du SIIS	Elementary School/École élémentaire	Secondary School/École secondaire	Location/Lieu
	Board				Bruce Peninsula
108.	Bluewater District School Board	5759		Warton DHS	Town of The South Bruce Peninsula
109.	Brant Haldimand Norfolk Catholic District School Board	4489	St Theresa Sep S		City of Brant County
110.	Brant Haldimand Norfolk Catholic District School Board	3069	Blessed Sacrament Sep S		City of Brant County
111.	Brant Haldimand Norfolk Catholic District School Board	4469	St Stephens S		Corporation of Haldimand County
112.	Brant Haldimand Norfolk Catholic District School Board	3522	Our Lady of Fatima Sep S		Corporation of Norfolk County
113.	Brant Haldimand Norfolk Catholic District School Board	4285	St Marys S		Corporation of Haldimand County
114.	Brant Haldimand Norfolk Catholic District School Board	3536	Our Lady of La Salette Sep S		Corporation of Norfolk County
115.	Brant Haldimand Norfolk Catholic District School Board	3660	Sacred Heart S		Corporation of Norfolk County
116.	Brant Haldimand Norfolk Catholic District School Board	3842	St Cecilia's S		Corporation of Norfolk County
117.	Brant Haldimand Norfolk Catholic District School Board	3763	St Anthony Daniel		City of Brant County
118.	Brant Haldimand Norfolk Catholic District School Board	4318	St Michaels Sep		Corporation of Norfolk County
119.	Brant Haldimand Norfolk Catholic District School Board	3810	St Bernard of Clairvaux S		Corporation of Norfolk County
120.	Bruce-Grey Catholic District School Board	3249	Mary Immaculate Community S		Municipality of Brockton
121.	Bruce-Grey Catholic District School Board	3184	St Peter's & St Paul's Sep S		Township of West Grey
122.	Bruce-Grey Catholic District School Board	3327	Immaculate Conception Sep S		Municipality of South Bruce
123.	Bruce-Grey Catholic District School Board	3421	Sacred Heart S		Municipality of South Bruce
124.	Bruce-Grey Catholic District School Board	3595	St Joseph's S		Town of Saugeen Shores
125.	Bruce-Grey Catholic District School Board	4572	Sacred Heart Sep S		Municipality of South Bruce
126.	Bruce-Grey Catholic District School Board	3434	Mother Teresa		Municipality of Brockton
127.	Bruce-Grey Catholic District School Board	3661		Sacred Heart HS	Municipality of Brockton
128.	Conseil de district des écoles publiques de langue française n° 59	4081	É.é. Terre des jeunes		Township of North Glengarry
129.	Conseil de district des écoles publiques de langue française n° 59	9868	École publique de la rivière Castor		Township of Russell
130.	Conseil de district des écoles publiques de langue française n° 59	9869	É.é.p. Des Sentiers		City of Ottawa
131.	Conseil de district des écoles publiques de langue française n° 59	9980		École secondaire publique Gisele Lalonde	City of Ottawa
132.	Conseil scolaire de district catholique des Grandes Rivières	3360		Jeunesse-Nord, ES	Town of Cochrane
133.	Conseil scolaire de district catholique des Grandes Rivières	4096	Saint-Joseph, Ecole		Town of Cochrane
134.	Conseil scolaire de district catholique des Grandes Rivières	7734	Assomption, Ecole		Township of Armstrong

Item/ Point	Column/Colonne 1	Column/Colonne 2	Column/Colonne 3	Column/Colonne 4	Column/Colonne 5
	Name of Board/Nom du conseil	SFIS No./N° du SIIS	Elementary School/École élémentaire	Secondary School/École secondaire	Location/Lieu
135.	Conseil scolaire de district catholique des Grandes Rivières	3678	Sainte-Jeanne-d Arc, E. sep.		Township of Fauquier-Strickland
136.	Conseil scolaire de district catholique des Grandes Rivières	7739	Sainte-Croix, Ecole		Township of Dymond
137.	Conseil scolaire de district catholique des Grandes Rivières	4010	Pavillon Notre-Dame, E. sep./Louisbourg		Town of Hearst
138.	Conseil scolaire de district catholique des Grandes Rivières	4169	Saint-Louis, E. sep.		Town of Hearst
139.	Conseil scolaire de district catholique des Grandes Rivières	4543	Sainte-Anne, E. sep.		Town of Hearst
140.	Conseil scolaire de district catholique des Grandes Rivières	9302		Hearst, Ecole Sec	Town of Hearst
141.	Conseil scolaire de district catholique des Grandes Rivières	3024		Alex-Pelletier, E.s.	Town of Iroquois Falls
142.	Conseil scolaire de district catholique des Grandes Rivières	4568	Saints-Martyrs-Canadiens, E. sep.		Town of Iroquois Falls
143.	Conseil scolaire de district catholique des Grandes Rivières	3960	Saint-Francis-Xavier, E. sep.		Township of Mattice-Val Cot+
144.	Conseil scolaire de district catholique des Grandes Rivières	3217	Saint-Jules, E. sep.		Township of Moonbeam
145.	Conseil scolaire de district catholique des Grandes Rivières	7738	Saint-Michel, Ecole		Township of Dymond
146.	Conseil scolaire de district catholique des Grandes Rivières	7742		Sainte-Marie, Ecole secondaire	Township of Dymond
147.	Conseil scolaire de district catholique des Grandes Rivières	7758	Sacre-Coeur, Ecole		Township of Dymond
148.	Conseil scolaire de district catholique des Grandes Rivières	6473	St-Antoine-de-Padoue, E. sep.		Township of Opatatika
149.	Conseil scolaire de district catholique des Grandes Rivières	7714	St-Jude, Ecole		City of Timmins
150.	Conseil scolaire de district catholique des Grandes Rivières	4490	Sainte-Therese, E. sep.		Township of Black River-Matheson
151.	Conseil scolaire de district catholique des Grandes Rivières	4320		Smooth Rock Falls, (E.e. George Vanier)	Town of Smooth Rock Falls
152.	Conseil scolaire de district catholique des Grandes Rivières	6474	Georges-Vanier		Town of Smooth Rock Falls
153.	Conseil scolaire de district catholique des Grandes Rivières	3341	Immaculee-Conception, E. sep.		Township of Black River-Matheson
154.	Conseil scolaire de district catholique des Grandes Rivières	3576	Sainte-Rita, E. sep.		Township of Val Rita-Harty
155.	Conseil scolaire de district catholique des Grandes Rivières	7737	Saint-Louis, Ecole		Township of Mcgarry

Item/ Point	Column/Colonne 1	Column/Colonne 2	Column/Colonne 3	Column/Colonne 4	Column/Colonne 5
	Name of Board/Nom du conseil	SFIS No./N° du SIIS	Elementary School/École élémentaire	Secondary School/École secondaire	Location/Lieu
	Rivières				
156.	Conseil scolaire de district catholique Centre-Sud	8279	ÉE Marguerite-Bourgeoys		Cfb Borden
157.	Conseil scolaire de district catholique Centre-Sud	8284	ÉE Sainte-Croix		Township of Tiny
158.	Conseil scolaire de district catholique de l'est Ontarien	3612		Le Relais, E.s.	Township of North Glengarry
159.	Conseil scolaire de district catholique de l'est Ontarien	3621	Elda-Rouleau, E		Township of North Glengarry
160.	Conseil scolaire de district catholique de l'est Ontarien	6202	St-Victor, E		Township of Alfred And Plantagenet
161.	Conseil scolaire de district catholique de l'est Ontarien	3143	Sacre-Coeur, E. sep.		City of Clarence-Rockland
162.	Conseil scolaire de district catholique de l'est Ontarien	3115		De Casselman, E.s.	Village of Casselman
163.	Conseil scolaire de district catholique de l'est Ontarien	4370	Saint-Paul, E. sep.		Village of Casselman
164.	Conseil scolaire de district catholique de l'est Ontarien	6210	Sainte-Euphemie, E		Village of Casselman
165.	Conseil scolaire de district catholique de l'est Ontarien	6250		SEFA Campus Casselman	Village of Casselman
166.	Conseil scolaire de district catholique de l'est Ontarien	6207	Ste-Felicite, E		City of Clarence-Rockland
167.	Conseil scolaire de district catholique de l'est Ontarien	3220	Notre-Dame-du-Rosaire, E. sep.		Township of North Stormont
168.	Conseil scolaire de district catholique de l'est Ontarien	3180		Embrun, E.s.	Township of Russell
169.	Conseil scolaire de district catholique de l'est Ontarien	3627	Saint-Jean, E. sep.		Township of Russell
170.	Conseil scolaire de district catholique de l'est Ontarien	9446	Saint-Jean E. sep (Annexe Rue Notre Dame)		Township of Russell
171.	Conseil scolaire de district catholique de l'est Ontarien	3385	Laurier-Carriere, E		Township of North Glengarry
172.	Conseil scolaire de district catholique de l'est Ontarien	3129	Sainte-Marie, E		Township of South Glengarry
173.	Conseil scolaire de district catholique de l'est Ontarien	3141	Saint-Mathieu, E. sep.		City of Clarence-Rockland
174.	Conseil scolaire de district catholique de l'est Ontarien	4094	Saint-Joseph, E. sep.		Township of South Glengarry
175.	Conseil scolaire de district catholique de l'est Ontarien	4128	Saint-Joseph, E. sep.		Township of Alfred And Plantagenet
176.	Conseil scolaire de district catholique de l'est Ontarien	4521	Saint-Viateur, E. sep.		Township of Russell
177.	Conseil scolaire de district catholique de l'est Ontarien	6212	Saint-Viateur, E. sep. (Annexe-Rue Mable)		Municipality of The Nation
178.	Conseil scolaire de district catholique de l'est Ontarien	3150	Sainte-Lucie, E. sep.		Township of South Stormont
179.	Conseil scolaire de district catholique de l'est Ontarien	4025	Saint-Jean-Baptiste, E. sep.		Township of Champlain
180.	Conseil scolaire de district catholique de l'est Ontarien	3806	Saint-Bernard		Township of North Glengarry
181.	Conseil scolaire de district catholique de l'est Ontarien	3375	La Source, E. sep.		Township of North Stormont
182.	Conseil scolaire de district catholique de l'est Ontarien	3607		Plantagenet, E.s.	Township of Alfred And Plantagenet
183.	Conseil scolaire de district catholique de l'est Ontarien	4378	Saint-Paul, E. sep.		Township of Alfred And Plantagenet
184.	Conseil scolaire de district catholique de l'est Ontarien	3186	Cure-Labrosse, E		Township of East Hawkesbury
185.	Conseil scolaire de district	6205	St-Albert, E		Municipality of The

Item/ Point	Column/Colonne 1	Column/Colonne 2	Column/Colonne 3	Column/Colonne 4	Column/Colonne 5
	Name of Board/Nom du conseil	SFIS No./N° du SIIS	Elementary School/École élémentaire	Secondary School/École secondaire	Location/Lieu
	catholique de l'est Ontarien				Nation
186.	Conseil scolaire de district catholique de l'est Ontarien	4009	Saint-Isidore-de-Prescott, E. sep.		Municipality of The Nation
187.	Conseil scolaire de district catholique de l'est Ontarien	6209	Du Rosaire, E		City of Clarence-Rockland
188.	Conseil scolaire de district catholique de l'est Ontarien	6204	St-Gregoire, E		Township of Champlain
189.	Conseil scolaire de district catholique de l'est Ontarien	4131	Saint-Joseph, E. sep.		Township of Alfred And Plantagenet
190.	Conseil scolaire de district catholique des Aurores boréales	4099	Saint-Joseph, E		Municipality of Greenstone
191.	Conseil scolaire de district catholique des Aurores boréales	3476	Notre-Dame-de-Fatima		Municipality of Greenstone
192.	Conseil scolaire de district catholique des Aurores boréales	3758	Val des Bois		Town of Marathon
193.	Conseil scolaire de district catholique des Aurores boréales	9951	Notre Dame des Écoles		Municipality of Greenstone
194.	Conseil scolaire de district catholique des Aurores boréales	4199	Franco-Terrace, E		Township of Terrace Bay
195.	Conseil scolaire de district catholique du Centre-Est de l'Ontario	3244	Saint-Laurent, Ecole		City of Ottawa
196.	Conseil scolaire de district catholique du Centre-Est de l'Ontario	6193		Beatrice-Desloges, E.s.c.	City of Ottawa
197.	Conseil scolaire de district catholique du Centre-Est de l'Ontario	3491	Sainte-Therese-d'Avila, Ecole		City of Ottawa
198.	Conseil scolaire de district catholique du Centre-Est de l'Ontario	3411	Sainte-Marguerite-Bourgeoys, Ecole		Village of Merrickville-Wolford
199.	Conseil scolaire de district catholique du Centre-Est de l'Ontario	10063	Pavillon Béatrice-Desloges		City of Ottawa
200.	Conseil scolaire de district catholique du Centre-Est de l'Ontario	10144	Ecole élémentaire de la Découverte		City of Ottawa
201.	Conseil scolaire de district catholique du Centre-Est de l'Ontario	3164	Saint-Guillaume, Ecole		City of Ottawa
202.	Conseil scolaire de district catholique du Nouvel-Ontario	2857	Sainte-Marie, E.sep		City of Greater Sudbury
203.	Conseil scolaire de district catholique du Nouvel-Ontario	3567	Notre-Dame-du-Rosaire, E. sep.		City of Greater Sudbury
204.	Conseil scolaire de district catholique du Nouvel-Ontario	6011	Saint-Joseph, E. sep.		Blind River
205.	Conseil scolaire de district catholique du Nouvel-Ontario	7613	Sacre-Coeur, Ecole		Township of Chapleau
206.	Conseil scolaire de district catholique du Nouvel-Ontario	9754		E.s. Trillium	Township of Chapleau
207.	Conseil scolaire de district catholique du Nouvel-Ontario	2836		Champlain, E.s.c.	City of Greater Sudbury
208.	Conseil scolaire de district catholique du Nouvel-Ontario	3344	Jacques-Cartier, E. sep.		City of Greater Sudbury
209.	Conseil scolaire de district catholique du Nouvel-Ontario	3416	Monseigneur-Cote, E. sep.		City of Greater Sudbury
210.	Conseil scolaire de district	4095	Saint-Joseph, E. sep.		City of Greater Sudbury



Item/ Point	Column/Colonne 1	Column/Colonne 2	Column/Colonne 3	Column/Colonne 4	Column/Colonne 5
	Name of Board/Nom du conseil	SFIS No./N° du SIIS	Elementary School/École élémentaire	Secondary School/École secondaire	Location/Lieu
	catholique du Nouvel-Ontario				
211.	Conseil scolaire de district catholique du Nouvel-Ontario	3477	Notre-Dame-de-la-Merci, E. sep.		City of Greater Sudbury
212.	Conseil scolaire de district catholique du Nouvel-Ontario	3923	Saint-Etienne, E. sep.		City of Greater Sudbury
213.	Conseil scolaire de district catholique du Nouvel-Ontario	3769	Saint-Antoine, E. sep.		Municipality of French River
214.	Conseil scolaire de district catholique du Nouvel-Ontario	4546	Sainte-Anne, E. sep.		Township of Shedden
215.	Conseil scolaire de district catholique du Nouvel-Ontario	3029	Saint-Charles-Borromee, E. sep.		Municipality of St.-Charles
216.	Conseil scolaire de district catholique du Nouvel-Ontario	3181	Saint-Thomas, E. sep.		Municipality of Markstay-Warren
217.	Conseil scolaire de district catholique du Nouvel-Ontario	7607	Saint-Joseph		Township of Michipicoten
218.	Conseil scolaire de district catholique du Nouvel-Ontario	10637		École secondaire St-Joseph	Township of Michipicoten
219.	Conseil scolaire de district catholique Franco-Nord	9323	St-Thomas d'Aquin, Ecole		Township of East Ferris
220.	Conseil scolaire de district catholique Franco-Nord	3389	Lorrain, E. sep.		Township of Bonfield
221.	Conseil scolaire de district catholique Franco-Nord	3250		F-J-McElligott, E.s.	Mattawa
222.	Conseil scolaire de district catholique Franco-Nord	4544	Sainte-Anne, E. sep.		Mattawa
223.	Conseil scolaire de district catholique Franco-Nord	3160	Christ-Roi, E. sep.		Municipality of West Nipissing
224.	Conseil scolaire de district catholique Franco-Nord	3252		Franco Cite, E.s.	Municipality of West Nipissing
225.	Conseil scolaire de district catholique Franco-Nord	3615	La Resurrection, E. sep.		Municipality of West Nipissing
226.	Conseil scolaire de district catholique Franco-Nord	3628	Echo-Jeunesse, E. sep.		Municipality of West Nipissing
227.	Conseil scolaire de district catholique Franco-Nord	3663	Saint-Joseph, E. sep.		Municipality of West Nipissing
228.	Conseil scolaire de district catholique Franco-Nord	3404	Mariale, E. sep.		Thorne
229.	Conseil scolaire de district catholique Franco-Nord	3403	Ste-Marguerite-d'Youville, E. sep.		Municipality of West Nipissing
230.	Conseil scolaire de district des écoles catholiques du Sud-Ouest	3193	Pavillon des Jeunes		Town of Lakeshore
231.	Conseil scolaire de district des écoles catholiques du Sud-Ouest	4419	Saint-Philippe		Municipality of Chatham-Kent
232.	Conseil scolaire de district des écoles catholiques du Sud-Ouest	9286	Monseigneur Augustin Caron		Town of Lasalle
233.	Conseil scolaire de district des écoles catholiques du Sud-Ouest	4566	Sainte-Ursule, E		Town of Essex
234.	Conseil scolaire de district des écoles catholiques du Sud-Ouest	3216		Secondaire de Pain Court	Municipality of Chatham-Kent
235.	Conseil scolaire de district des écoles catholiques du Sud-Ouest	4548	Sainte-Catherine		Municipality of Chatham-Kent
236.	Conseil scolaire de district des écoles catholiques du Sud-Ouest	4561	Saint-Paul		Town of Lakeshore
237.	Conseil scolaire de district des écoles catholiques du Sud-	9287	Saint-Ambroise		Town of Lakeshore

Item/ Point	Column/Colonne 1	Column/Colonne 2	Column/Colonne 3	Column/Colonne 4	Column/Colonne 5
	Name of Board/Nom du conseil	SFIS No./N° du SIIS	Elementary School/École élémentaire	Secondary School/École secondaire	Location/Lieu
	Ouest				
238.	Conseil scolaire de district des écoles catholiques du Sud-Ouest	3942	Saint-Francis		Municipality of Chatham-Kent
239.	Conseil scolaire de district du Centre Sud-Ouest	8257	Académie la Pinède		Borden
240.	Conseil scolaire de district du Centre Sud-Ouest	9494	La Fontaine		City of Vaughan
241.	Conseil scolaire de district du Centre Sud-Ouest	9721	Saint-Joseph		Town of Penetanguishene
242.	Conseil scolaire de district du Grand Nord de l'Ontario	5830	Franco-Nord, E.p.		City of Greater Sudbury
243.	Conseil scolaire de district du Grand Nord de l'Ontario	9643	E. p. Chelmsford		City of Greater Sudbury
244.	Conseil scolaire de district du Grand Nord de l'Ontario	6342		Chateau Jeunesse, Ecole secondaire	Municipality of Greenstone
245.	Conseil scolaire de district du Grand Nord de l'Ontario	9558	Manitouwadge E.p.		Township of Manitouwadge
246.	Conseil scolaire de district du Grand Nord de l'Ontario	10590		Manitouwadge e.s	Township of Manitouwadge
247.	Conseil scolaire de district du Grand Nord de l'Ontario	9559		E. s. Cite-Superieure	Town of Marathon
248.	Conseil scolaire de district du Grand Nord de l'Ontario	9946	Camille-Perron E.p.		Municipality of Markstay-Warren
249.	Conseil scolaire de district du Grand Nord de l'Ontario	9562		Riviere des Francais Es	Municipality of French River
250.	Conseil scolaire de district du Grand Nord de l'Ontario	10476	Rivière-des-Français É.p.		Municipality of French River
251.	Conseil scolaire de district du Grand Nord de l'Ontario	9644		Carrefour Superior-Nord	Township of Michipicoten
252.	Conseil scolaire de district du Nord-Est de l'Ontario	9564		Cochrane (École publique secondaire)	Town of Cochrane
253.	Conseil scolaire de district du Nord-Est de l'Ontario	9565		L'Alliance (École publique secondaire)	Town of Iroquois Falls
254.	Conseil scolaire de district du Nord-Est de l'Ontario	10080	Étoile du Nord (École élémentaire publique)		Town of Iroquois Falls
255.	Conseil scolaire de district du Nord-Est de l'Ontario	6377	Jeunesse Active (École élémentaire publique)		
256.	Conseil scolaire de district du Nord-Est de l'Ontario	9567		Northern (École publique secondaire)	Municipality of West Nipissing
257.	District School Board of Niagara	1175	Jacob Beam PS		Town of Lincoln
258.	District School Board of Niagara	2101	Senator Gibson PS		Town of Lincoln
259.	District School Board of Niagara	5227		Beamsville DSS	Town of Lincoln
260.	District School Board of Niagara	300	Caistor Central PS		Township of West Lincoln
261.	District School Board of Niagara	318	Campden PS		Town of Lincoln
262.	District School Board of Niagara	540	Crystal Beach PS		Town of Fort Erie
263.	District School Board of Niagara	1791	Pelham Centre PS		Town of Pelham
264.	District School Board of Niagara	7	A K Wigg PS		Town of Pelham
265.	District School Board of Niagara	664		E L Crossley SS	Town of Pelham
266.	District School Board of Niagara	837	Glynn A Green PS		Town of Pelham

Item/ Point	Column/Colonne 1	Column/Colonne 2	Column/Colonne 3	Column/Colonne 4	Column/Colonne 5
	Name of Board/Nom du conseil	SFIS No./N° du SIIS	Elementary School/École élémentaire	Secondary School/École secondaire	Location/Lieu
267.	District School Board of Niagara	5320	E W Farr Memorial PS		Town of Pelham
268.	District School Board of Niagara	1222	Jordan PS		Town of Lincoln
269.	District School Board of Niagara	774	F J Rutland PS		City of Niagara Falls
270.	District School Board of Niagara	489	Colonel John Butler PS		Town of Niagara-On-The-Lake
271.	District School Board of Niagara	1780	Parliament Oak PS		Town of Niagara-On-The-Lake
272.	District School Board of Niagara	5540		Niagara DSS	Town of Niagara-On-The-Lake
273.	District School Board of Niagara	5899	St Davids/Laura Secord PS (Annex-Laura Secord )		
274.	District School Board of Niagara	181	Bertie PS		Town of Fort Erie
275.	District School Board of Niagara	1985	Ridgeway PS		Town of Fort Erie
276.	District School Board of Niagara	5619		Ridgeway-Crystal Beach SS	Town of Fort Erie
277.	District School Board of Niagara	485	College Street PS		Township of West Lincoln
278.	District School Board of Niagara	5666		South Lincoln HS	Township of West Lincoln
279.	District School Board of Niagara	864	Gainsboro Central PS		Township of West Lincoln
280.	District School Board of Niagara	2213	St Davids/Laura Secord PS		Town of Niagara-On-The-Lake
281.	District School Board of Niagara	2235	Stevensville PS		Town of Fort Erie
282.	District School Board of Niagara	2390	Vineland/Maplegrove PS		Town of Lincoln
283.	District School Board of Niagara	5900	Vineland/Maplegrove PS (Annex-Maplegrove)		
284.	District School Board of Niagara	2391	Virgil PS		Town of Niagara-On-The-Lake
285.	District School Board of Niagara	2410	Winger PS		Township of Wainfleet
286.	District School Board of Niagara	2505	William E Brown PS		Township of Wainfleet
287.	District School Board Ontario North East	429	Charlton-Savard PS		Municipality of Charlton And Dack
288.	District School Board Ontario North East	469	Cobalt PS		Town of Cobalt
289.	District School Board Ontario North East	5290		Cochrane HS, E.s.	Town of Cochrane
290.	District School Board Ontario North East	10635	Cochrane Public School		Town of Cochrane
291.	District School Board Ontario North East	1187	Elk Lake PS		Township of James
292.	District School Board Ontario North East	745	Englehart PS		Town of Englehart
293.	District School Board Ontario North East	5352		Englehart HS	Town of Englehart
294.	District School Board Ontario North East	999	Haileybury PS		Township of Dymond
295.	District School Board Ontario North East	6312		Timiskaming Dist SS(Hlybury anx)	Township of Dymond
296.	District School Board Ontario	7614	Clayton Brown Public		Town of Hearst

Item/ Point	Column/Colonne 1	Column/Colonne 2	Column/Colonne 3	Column/Colonne 4	Column/Colonne 5
	Name of Board/Nom du conseil	SFIS No./N° du SIIS	Elementary School/École élémentaire	Secondary School/École secondaire	Location/Lieu
	North East		School		
297.	District School Board Ontario North East	7617		Hearst, HS	Town of Hearst
298.	District School Board Ontario North East	309	Iroquois Falls PS		Town of Iroquois Falls
299.	District School Board Ontario North East	5439		Iroquois Falls SS	Town of Iroquois Falls
300.	District School Board Ontario North East	7725	Larder Lake Public School		Township of Larder Lake
301.	District School Board Ontario North East	1485	Joseph H Kennedy PS		Township of Black River-Matheson
302.	District School Board Ontario North East	1620	New Liskeard PS		Township of Dymond
303.	District School Board Ontario North East	5692		Timiskaming Dist.SS	Township of Dymond
304.	District School Board Ontario North East	2496	Frank P Krznic Whitney Public PS		City of Timmins
305.	District School Board Ontario North East	2090	Schumacher PS		City of Timmins
306.	District School Board Ontario North East	7623		Smooth Rock Falls Secondary School	Town of Smooth Rock Falls
307.	District School Board Ontario North East	7624	Smooth Rocks Fall Public School		Town of Smooth Rock Falls
308.	District School Board Ontario North East	180	Bertha Shaw PS		City of Timmins
309.	District School Board Ontario North East	929	Golden Avenue PS		City of Timmins
310.	District School Board Ontario North East	5667		Roland Michener SS	City of Timmins
311.	District School Board Ontario North East	7733	Swastika Public School		Town of Kirkland Lake
312.	District School Board Ontario North East	2288	Temagami PS		Municipality of Temagami
313.	District School Board Ontario North East	1256	Kerns PS		Township of Kerns
314.	Dufferin Peel Catholic District School Board	4357	St Patrick Sep S		City of Brampton
315.	Dufferin Peel Catholic District School Board	4498		St Thomas Aquinas Sep S	City of Brampton
316.	Dufferin Peel Catholic District School Board	3620		Robert F Hall Catholic SS	Town of Caledon
317.	Dufferin Peel Catholic District School Board	3874	St Cornelius S		Town of Caledon
318.	Durham Catholic District School Board	8764	Holy Family C.S.		Township of Brock
319.	Durham Catholic District School Board	9354	St. Leo		Town of Whitby
320.	Durham Catholic District School Board	9353	St. John Bosco		City of Oshawa
321.	Durham District School Board	159	Beaverton PS		Township of Brock
322.	Durham District School Board	397	Thorah Central PS		Township of Brock
323.	Durham District School Board	387	Cartwright Central PS		Township of Scugog
324.	Durham District School Board	5262		Cartwright HS	Township of Scugog
325.	Durham District School Board	1513	Meadowcrest PS		Town of Whitby
326.	Durham District School Board	9776	Winchester PS		Town of Whitby
327.	Durham District School Board	5245		Brock HS	Township of Brock
328.	Durham District School Board	1805	Claremont PS		City of Pickering
329.	Durham District School Board	2349	Goodwood PS		Township of Uxbridge
330.	Durham District School Board	1960	Greenbank PS		Township of Scugog
331.	Durham District School Board	2354	Valley View PS		City of Pickering
332.	Durham District School Board	512	Kedron PS		City of Oshawa

Item/ Point	Column/Colonne 1	Column/Colonne 2	Column/Colonne 3	Column/Colonne 4	Column/Colonne 5
	Name of Board/Nom du conseil	SFIS No./N° du SIIS	Elementary School/École élémentaire	Secondary School/École secondaire	Location/Lieu
333.	Durham District School Board	1959	Prince Albert PS		Township of Scugog
334.	Durham District School Board	2094	Scott Central PS		Township of Uxbridge
335.	Durham District School Board	9400	Epsom PS		Township of Scugog
336.	Durham District School Board	2257	Sunderland PS		Township of Brock
337.	Eastern Ontario Catholic District School Board	3582	St. Finnan's		Township of North Glengarry
338.	Eastern Ontario Catholic District School Board	9677	Holy Name of Mary		Town of Mississippi Mills
339.	Eastern Ontario Catholic District School Board	4270	St. Mary - Chesterville		Township of North Dundas
340.	Eastern Ontario Catholic District School Board	10624		Holy Trinity CHS	Township of South Glengarry
341.	Eastern Ontario Catholic District School Board	3811	St. Bernard		Township of North Stormont
342.	Eastern Ontario Catholic District School Board	3587	Pope John Paul		City of Clarence-Rockland
343.	Eastern Ontario Catholic District School Board	3596		St. Francis Xavier CHS	City of Clarence-Rockland
344.	Eastern Ontario Catholic District School Board	9820	St. Francis Xavier Elementary - Hammond		City of Clarence-Rockland
345.	Eastern Ontario Catholic District School Board	6085	Our Lady of Good Counsel		Township of South Stormont
346.	Eastern Ontario Catholic District School Board	3277	Holy Cross		Municipality of North Grenville
347.	Eastern Ontario Catholic District School Board	9821	St. Michael Elementary		Municipality of North Grenville
348.	Eastern Ontario Catholic District School Board	9822		St. Michael CHS	Municipality of North Grenville
349.	Eastern Ontario Catholic District School Board	3655	Sacred Heart - Lanark		Township of Lanark Highlands
350.	Eastern Ontario Catholic District School Board	3973	St. George		Township of South Stormont
351.	Eastern Ontario Catholic District School Board	4278	St. Mary - St. Cecilia		Township of South Dundas
352.	Eastern Ontario Catholic District School Board	4070		St. John CHS	Town of Perth
353.	Eastern Ontario Catholic District School Board	4138	St. Joseph - Prescott		Separated Town of Prescott
354.	Eastern Ontario Catholic District School Board	4222	St. Mark		Separated Town of Prescott
355.	Eastern Ontario Catholic District School Board	3716	St. Andrew		Township of South Stormont
356.	Eastern Ontario Catholic District School Board	3368	St. Joseph - Toledo		Township of Elizabethtown-Kitley
357.	Eastern Ontario Catholic District School Board	3457	St. Jude		Township of Champlain
358.	Eastern Ontario Catholic District School Board	3912	St. Edward		Village of Westport
359.	Eastern Ontario Catholic District School Board	3127	Iona Academy		Township of South Glengarry
360.	English-language Separate District School Board No. 38	3537	Our Lady of Lourdes Sep S		Township of Middlesex Centre
361.	English-language Separate District School Board No. 38	3883	St David Sep S		Municipality of Thames Centre
362.	English-language Separate District School Board No. 38	3846	St Charles Sep S		Municipality of Southwest Middlesex
363.	English-language Separate District School Board No. 38	4342	St Patrick Sep S		Township of Lucan Biddulph
364.	English-language Separate District School Board No. 38	3643	Sacred Heart Sep S		Municipality of North Middlesex

Item/ Point	Column/Colonne 1	Column/Colonne 2	Column/Colonne 3	Column/Colonne 4	Column/Colonne 5
	Name of Board/Nom du conseil	SFIS No./N° du SIIS	Elementary School/École élémentaire	Secondary School/École secondaire	Location/Lieu
365.	English-language Separate District School Board No. 38	3931	St Francis S		City of Brant County
366.	English-language Separate District School Board No. 38	4113	St Joseph S		Township of Zorra
367.	English-language Separate District School Board No. 38	4235	St Mary's Sep S		Municipality of West Elgin
368.	Grand Erie District School Board	403	Onondaga-Brant PS		City of Brant County
369.	Grand Erie District School Board	5249	Burford Elementary		City of Brant County
370.	Grand Erie District School Board	1705	Oneida Central PS		Corporation of Haldimand County
371.	Grand Erie District School Board	1991	River Heights E S		Corporation of Haldimand County
372.	Grand Erie District School Board	2105	Seneca Unity PS		Corporation of Haldimand County
373.	Grand Erie District School Board	1167	J L Mitchener PS		Corporation of Haldimand County
374.	Grand Erie District School Board	5265		Cayuga SS	Corporation of Haldimand County
375.	Grand Erie District School Board	524	Courtland PS		Corporation of Norfolk County
376.	Grand Erie District School Board	79	Anna Melick Memorial S		Corporation of Haldimand County
377.	Grand Erie District School Board	954	Grandview PS		Corporation of Haldimand County
378.	Grand Erie District School Board	1949	Rainham Central PS		Corporation of Haldimand County
379.	Grand Erie District School Board	923	Glen Morris Central PS		City of Brant County
380.	Grand Erie District School Board	1771	Hagersville Elementary School		Corporation of Haldimand County
381.	Grand Erie District School Board	2413	Walpole North E S		Corporation of Haldimand County
382.	Grand Erie District School Board	5408		Hagersville SS	Corporation of Haldimand County
383.	Grand Erie District School Board	1190	Jarvis PS		Corporation of Haldimand County
384.	Grand Erie District School Board	402	Langton PS		Corporation of Norfolk County
385.	Grand Erie District School Board	1110	Houghton PS		Corporation of Norfolk County
386.	Grand Erie District School Board	5715		Valley Heights SS	Corporation of Norfolk County
387.	Grand Erie District School Board	1587	Mount Pleasant PS		City of Brant County
388.	Grand Erie District School Board	184	Bethel-Oak Hill PS		City of Brant County
389.	Grand Erie District School Board	607	Doverwood PS		Corporation of Norfolk County
390.	Grand Erie District School Board	5594		Port Dover Comp S	Corporation of Norfolk County
391.	Grand Erie District School Board	10198	Port Dover Composite Elementary		Corporation of Norfolk County
392.	Grand Erie District School Board	1845	Port Rowan PS		Corporation of Norfolk County
393.	Grand Erie District School Board	2091	Oakland-Scotland PS		City of Brant County
394.	Grand Erie District School Board	2416	Walsh Public School		Corporation of Norfolk County

Item/ Point	Column/Colonne 1	Column/Colonne 2	Column/Colonne 3	Column/Colonne 4	Column/Colonne 5
	Name of Board/Nom du conseil	SFIS No./N° du SIIS	Elementary School/École élémentaire	Secondary School/École secondaire	Location/Lieu
395.	Grand Erie District School Board	2181	St George-German PS		City of Brant County
396.	Grand Erie District School Board	1650	Teeterville PS		Corporation of Norfolk County
397.	Grand Erie District School Board	1649	Boston PS		Corporation of Norfolk County
398.	Grand Erie District School Board	2178	Bloomsburg PS		Corporation of Norfolk County
399.	Grand Erie District School Board	2326	Townsend Central PS		Corporation of Norfolk County
400.	Grand Erie District School Board	2340	W. F. Hewitt PS		Corporation of Norfolk County
401.	Grand Erie District School Board	5730		Waterford DHS	Corporation of Norfolk County
402.	Grand Erie District School Board	9873	A.B. Massecar		Corporation of Norfolk County
403.	Grand Erie District School Board	2535	Windham Central PS		Corporation of Norfolk County
404.	Grand Erie District School Board	2102	Seneca Central PS		Corporation of Haldimand County
405.	Greater Essex County District School Board	77	Anderdon Central Public School		Town of Amherstburg
406.	Greater Essex County District School Board	1430	Malden Central Public School		Town of Amherstburg
407.	Greater Essex County District School Board	7805		Western Secondary School	Town of Amherstburg
408.	Greater Essex County District School Board	166	Belle River Public School		Town of Lakeshore
409.	Greater Essex County District School Board	7798		Belle River District High School	Town of Lakeshore
410.	Greater Essex County District School Board	7773	Centennial Central Public School		Town of Lakeshore
411.	Greater Essex County District School Board	368	Gosfield North Central Public School		Town of Kingsville
412.	Greater Essex County District School Board	1743	Puce Public School		Town of Lakeshore
413.	Greater Essex County District School Board	366	Colchester North Public School		Town of Essex
414.	Greater Essex County District School Board	2259	Sun Parlor Jr Public School		Town of Essex
415.	Greater Essex County District School Board	1026	Harrow Senior Public School		Town of Essex
416.	Greater Essex County District School Board	5413		Harrow District High School	Town of Essex
417.	Greater Essex County District School Board	7780	Harrow Junior Public School		Town of Essex
418.	Greater Essex County District School Board	1858	Prince Andrew Public School		Town of Lasalle
419.	Greater Essex County District School Board	7804		Sandwich Secondary School	Town of Lasalle
420.	Greater Essex County District School Board	1574	Mount Carmel-Blytheswood Public School		Municipality of Leamington
421.	Greater Essex County District School Board	375	Maidstone Central Public School		Town of Lakeshore
422.	Greater Essex County District School Board	1790	Pelee Island Public School		Township of Pelee
423.	Greater Essex County District School Board	7794	Ruthven Public School		Town of Kingsville

Item/ Point	Column/Colonne 1	Column/Colonne 2	Column/Colonne 3	Column/Colonne 4	Column/Colonne 5
	Name of Board/Nom du conseil	SFIS No./N° du SIIS	Elementary School/École élémentaire	Secondary School/École secondaire	Location/Lieu
424.	Greater Essex County District School Board	1534	East Mersea Public School		Municipality of Leamington
425.	Halton Catholic District School Board	8135		Bishop P.F. Reding Secondary	Town of Milton
426.	Halton District School Board	267	Brookville PS		Town of Milton
427.	Halton District School Board	1817	Pineview PS		Town of Halton Hills
428.	Halton District School Board	2238	Stewarttown Md S		Town of Halton Hills
429.	Halton District School Board	1261	Kilbride PS		City of Burlington
430.	Halton District School Board	1358	Limehouse PS		Town of Halton Hills
431.	Halton District School Board	10469	Chris Hadfield Public School		Town of Milton
432.	Hamilton-Wentworth Catholic District School Board	9410	Holy Name of Mary CES		City of Hamilton
433.	Hamilton-Wentworth Catholic District School Board	3511	Our Lady of Mount Carmel		City of Hamilton
434.	Hamilton-Wentworth Catholic District School Board	4496	St Thomas		City of Hamilton
435.	Hamilton-Wentworth Catholic District School Board	10115	Guardian Angels Catholic Elementary School		City of Hamilton
436.	Hamilton-Wentworth District School Board	10614	Canterbury Hills		City of Hamilton
437.	Hamilton-Wentworth District School Board	168	Bellmoore PS		City of Hamilton
438.	Hamilton-Wentworth District School Board	202	Balaclava PS		City of Hamilton
439.	Hamilton-Wentworth District School Board	6343	Queens Rangers PS		City of Hamilton
440.	Hamilton-Wentworth District School Board	821	Flamborough Centre Senior PS		City of Hamilton
441.	Hamilton-Wentworth District School Board	1543	Millgrove PS		City of Hamilton
442.	Hamilton-Wentworth District School Board	1579	Mount Hope PS		City of Hamilton
443.	Hamilton-Wentworth District School Board	6175	Bell-Stone PS		City of Hamilton
444.	Hamilton-Wentworth District School Board	616	Dr John Seaton PS		City of Hamilton
445.	Hamilton-Wentworth District School Board	186	Beverly Central PS		City of Hamilton
446.	Hamilton-Wentworth District School Board	980	Guy B Brown PS		City of Hamilton
447.	Hamilton-Wentworth District School Board	1477	Mary Hopkins PS		City of Hamilton
448.	Hamilton-Wentworth District School Board	5729		Waterdown DHS	City of Hamilton
449.	Hamilton-Wentworth District School Board	10012	Allan A. Greenleaf School		City of Hamilton
450.	Hamilton-Wentworth District School Board	2539	Winona PS		City of Hamilton
451.	Hastings and Prince Edward District School Board	1254	Kente PS		City of Prince Edward County
452.	Hastings and Prince Edward District School Board	124	Bancroft PS		Town of Bancroft
453.	Hastings and Prince Edward District School Board	196	Birds Creek PS		Municipality of Hastings Highlands
454.	Hastings and Prince Edward District School Board	1494	Hermon PS		Township of Carlow/Mayo
455.	Hastings and Prince Edward District School Board	1654	North Hastings Sr E S		Town of Bancroft



Item/ Point	Column/Colonne 1	Column/Colonne 2	Column/Colonne 3	Column/Colonne 4	Column/Colonne 5
	Name of Board/Nom du conseil	SFIS No./N° du SIIS	Elementary School/École élémentaire	Secondary School/École secondaire	Location/Lieu
456.	Hastings and Prince Edward District School Board	5547		North Hastings HS	Town of Bancroft
457.	Hastings and Prince Edward District School Board	72	Massassaga-Rednersville PS		City of Prince Edward County
458.	Hastings and Prince Edward District School Board	1002	Pinecrest Memorial E S		City of Prince Edward County
459.	Hastings and Prince Edward District School Board	108	Athol Central PS		City of Prince Edward County
460.	Hastings and Prince Edward District School Board	472	Coe Hill PS		Township of Wollaston
461.	Hastings and Prince Edward District School Board	1015	Harmony PS		City of Belleville
462.	Hastings and Prince Edward District School Board	580	Deseronto PS		Deseronto
463.	Hastings and Prince Edward District School Board	847	Foxboro PS		City of Belleville
464.	Hastings and Prince Edward District School Board	850	Frankford PS		City of Quinte West
465.	Hastings and Prince Edward District School Board	374	Madoc Township PS		Township of Madoc
466.	Hastings and Prince Edward District School Board	1419	Madoc PS		Municipality of Centre Hastings
467.	Hastings and Prince Edward District School Board	5276		Centre Hastings SS	Municipality of Centre Hastings
468.	Hastings and Prince Edward District School Board	671	Earl Prentice PS		Municipality of Marmora And Lake
469.	Hastings and Prince Edward District School Board	1471	Marmora Sr PS		Municipality of Marmora And Lake
470.	Hastings and Prince Edward District School Board	1493	Maynooth PS		Municipality of Hastings Highlands
471.	Hastings and Prince Edward District School Board	392	South Marysburgh Central PS		City of Prince Edward County
472.	Hastings and Prince Edward District School Board	395	Sophiasburgh Central PS		City of Prince Edward County
473.	Hastings and Prince Edward District School Board	1907	Queen Elizabeth PS (P)		City of Prince Edward County
474.	Hastings and Prince Edward District School Board	5599		Prince Edward CI	City of Prince Edward County
475.	Hastings and Prince Edward District School Board	2341	Tyendinaga PS		Township of Tyendinaga
476.	Hastings and Prince Edward District School Board	2241	Stirling Prmy PS		Township of Stirling-Rawdon
477.	Hastings and Prince Edward District School Board	2242	Stirling Jr PS		Township of Stirling-Rawdon
478.	Hastings and Prince Edward District School Board	2243	Stirling Sr PS		Township of Stirling-Rawdon
479.	Hastings and Prince Edward District School Board	2076	S H Connor PS		Municipality of Tweed
480.	Hastings and Prince Edward District School Board	2335	Tweed-Hungerford Sr PS		Municipality of Tweed
481.	Hastings and Prince Edward District School Board	502	C M L Snider E S		City of Prince Edward County
482.	Huron-Perth Catholic District School Board	3737		St Anne's Catholic S	Municipality of Central Huron
483.	Huron-Perth Catholic District School Board	3553	Our Lady of Mt Carmel Sep S		Municipality of South Huron
484.	Huron-Perth Catholic District School Board	3265	St Patricks Sep S		Municipality of West Perth
485.	Huron-Perth Catholic District School Board	3412	St Columban Sep S		Municipality of Huron East

Item/ Point	Column/Colonne 1	Column/Colonne 2	Column/Colonne 3	Column/Colonne 4	Column/Colonne 5
	Name of Board/Nom du conseil	SFIS No./N° du SIIS	Elementary School/École élémentaire	Secondary School/École secondaire	Location/Lieu
486.	Huron-Perth Catholic District School Board	3207	Precious Blood Sep S		Municipality of South Huron
487.	Huron-Perth Catholic District School Board	3035	St Joseph Sep S		Township of Ashfield-Colborne-Wawanosh
488.	Huron-Perth Catholic District School Board	3675	St James Sep S		Municipality of Huron East
489.	Huron-Perth Catholic District School Board	3202	St Patricks Sep S		Township of Perth East
490.	Huron-Perth Catholic District School Board	4598	Sacred Heart Sep S		Township of North Huron
491.	Huron-Perth Catholic District School Board	4600	St Boniface Sep S		Municipality of Bluewater
492.	Huron-Superior Catholic District School Board	4264	St Marys Sep S		Blind River
493.	Huron-Superior Catholic District School Board	7612	Our Lady of Fatima		Township of Chapleau
494.	Huron-Superior Catholic District School Board	4246	St Mary Sep S		Township of Sables-Spanish Rivers
495.	Huron-Superior Catholic District School Board	7606	St Joseph Sep.		Township of Michipicoten
496.	Huron-Superior Catholic District School Board	7604	St Basil Separate School		Township of White River
497.	Kawartha Pine Ridge District School Board	86	Apsley PS		Township of North Kawartha
498.	Kawartha Pine Ridge District School Board	501	South Monaghan PS		Township of Otonabee-South Monaghan
499.	Kawartha Pine Ridge District School Board	1005	Baltimore PS		Township of Hamilton
500.	Kawartha Pine Ridge District School Board	5909		Cntr fr Individ'l Stdies (Bwmnville)	Municipality of Clarington
501.	Kawartha Pine Ridge District School Board	10387	Harold Longworth Public School		Municipality of Clarington
502.	Kawartha Pine Ridge District School Board	434	Chemong Sr.		Township of Smith-Ennismore-Lakefield
503.	Kawartha Pine Ridge District School Board	247	Smithfield PS		Municipality of Brighton
504.	Kawartha Pine Ridge District School Board	248	Brighton PS		Municipality of Brighton
505.	Kawartha Pine Ridge District School Board	2200	Spring Valley PS		Municipality of Brighton
506.	Kawartha Pine Ridge District School Board	5326		East Northumberland SS	Municipality of Brighton
507.	Kawartha Pine Ridge District School Board	1029	Buckhorn PS		Township of Galway-Cavendish And Harvey
508.	Kawartha Pine Ridge District School Board	372	North Hope Central PS		Town of Port Hope And Hope
509.	Kawartha Pine Ridge District School Board	1079	Hillcrest PS		Municipality of Trent Hills
510.	Kawartha Pine Ridge District School Board	5258		Campbellford DHS	Municipality of Trent Hills
511.	Kawartha Pine Ridge District School Board	5806	Kent		Municipality of Trent Hills
512.	Kawartha Pine Ridge District School Board	5911		Cntr fr Individ'l Stdies (Cmpblldfrd)	Municipality of Trent Hills
513.	Kawartha Pine Ridge District School Board	525	Castleton PS		Township of Cramahe
514.	Kawartha Pine Ridge District School Board	1647	North Cavan PS		Township of Cavan-Millbrook-North Monaghan
515.	Kawartha Pine Ridge District School Board	371	Camborne PS		Township of Hamilton

Item/ Point	Column/Colonne 1	Column/Colonne 2	Column/Colonne 3	Column/Colonne 4	Column/Colonne 5
	Name of Board/Nom du conseil	SFIS No./N° du SIIS	Elementary School/École élémentaire	Secondary School/École secondaire	Location/Lieu
516.	Kawartha Pine Ridge District School Board	552	Dale Road Sr S		Township of Hamilton
517.	Kawartha Pine Ridge District School Board	474	Colborne P S		Township of Cramahe
518.	Kawartha Pine Ridge District School Board	526	South Cramahe PS		Township of Cramahe
519.	Kawartha Pine Ridge District School Board	747	Enniskillen PS		Municipality of Clarington
520.	Kawartha Pine Ridge District School Board	1594	Stockdale PS		City of Quinte West
521.	Kawartha Pine Ridge District School Board	1004	Plainville PS		Township of Hamilton
522.	Kawartha Pine Ridge District School Board	1000	Grafton PS		Township of Alnwick-Haldimand
523.	Kawartha Pine Ridge District School Board	1008	Hampton Jr PS		Municipality of Clarington
524.	Kawartha Pine Ridge District School Board	2297	M J Hobbs Sr PS		Municipality of Clarington
525.	Kawartha Pine Ridge District School Board	1032	Hastings PS		Municipality of Trent Hills
526.	Kawartha Pine Ridge District School Board	1033	Havelock PS		Township of Havelock-Belmont-Methuen
527.	Kawartha Pine Ridge District School Board	1648	North Shore PS		Township of Otonabee-South Monaghan
528.	Kawartha Pine Ridge District School Board	1311	Lakefield Intermed S		Township of Smith-Ennismore-Lakefield
529.	Kawartha Pine Ridge District School Board	1312	Ridpath PS		Township of Smith-Ennismore-Lakefield
530.	Kawartha Pine Ridge District School Board	5468		Lakefield DSS	Township of Smith-Ennismore-Lakefield
531.	Kawartha Pine Ridge District School Board	1538	Millbrook/South Cavan PS		Township of Cavan-Millbrook-North Monaghan
532.	Kawartha Pine Ridge District School Board	5931	Millbrook/South Cavan Annex		Township of Cavan-Millbrook-North Monaghan
533.	Kawartha Pine Ridge District School Board	458	Newtonville PS		Municipality of Clarington
534.	Kawartha Pine Ridge District School Board	1678	Norwood District PS		Township of Asphodel-Norwood
535.	Kawartha Pine Ridge District School Board	1679	Norwood District Int.		Township of Asphodel-Norwood
536.	Kawartha Pine Ridge District School Board	5558		Norwood District HS	Township of Asphodel-Norwood
537.	Kawartha Pine Ridge District School Board	457	Orono PS		Municipality of Clarington
538.	Kawartha Pine Ridge District School Board	1297	Kirby Centennial Public School PS		Municipality of Clarington
539.	Kawartha Pine Ridge District School Board	1186	James Strath PS		Township of Cavan-Millbrook-North Monaghan
540.	Kawartha Pine Ridge District School Board	5301		Crestwood SS	Township of Cavan-Millbrook-North Monaghan
541.	Kawartha Pine Ridge District School Board	882	George Hamilton PS		Town of Port Hope And Hope
542.	Kawartha Pine Ridge District School Board	2042	Roseneath Centennial PS		Township of Alnwick-Haldimand
543.	Kawartha Pine Ridge District School Board	1794	Percy Centennial PS		Municipality of Trent Hills
544.	Kawartha Pine Ridge District	2424	Warsaw PS		Township of Douro-

Item/ Point	Column/Colonne 1	Column/Colonne 2	Column/Colonne 3	Column/Colonne 4	Column/Colonne 5
	Name of Board/Nom du conseil	SFIS No./N° du SIIS	Elementary School/École élémentaire	Secondary School/École secondaire	Location/Lieu
	School Board				Dummer
545.	Kawartha Pine Ridge District School Board	2584	Youngs Point		Township of Smith-Ennismore-Lakefield
546.	Keewatin-Patricia District School Board	120	Golden Learning Centre		Municipality of Red Lake
547.	Keewatin-Patricia District School Board	669	Ear Falls PS		Township of Ear Falls
548.	Keewatin-Patricia District School Board	1116	Hudson PS		Municipality of Sioux Lookout
549.	Keewatin-Patricia District School Board	5942		Ignace School (Sec)	Township of Ignace
550.	Keewatin-Patricia District School Board	9475	Ignace School (Elem)		Township of Ignace
551.	Keewatin-Patricia District School Board	7538	Keewatin P.S.		City of Kenora
552.	Keewatin-Patricia District School Board	7532	Valleyview P.S.		City of Kenora
553.	Keewatin-Patricia District School Board	1740	Oxdrift PS		Oxdrift
554.	Keewatin-Patricia District School Board	1962	Red Lake-Madsen PS		Municipality of Red Lake
555.	Keewatin-Patricia District School Board	5610		Red Lake DHS	Municipality of Red Lake
556.	Keewatin-Patricia District School Board	7531	Sioux Narrows P.S.		Township of Sioux Narrows-Nestor Falls
557.	Keewatin-Patricia District School Board	2364	Lillian Berg PS		Township of Machin
558.	Keewatin-Patricia District School Board	2409	Wabigoon PS		Wabigoon
559.	Kenora Catholic District School Board	4171	St Louis Sep S		City of Kenora
560.	Lakehead District School Board	7562	Kakabeka Falls		Municipality of Oliver Paipoonge
561.	Lakehead District School Board	7574	Whitefish Valley		Township of Gillies
562.	Lakehead District School Board	7550	Crestview		Municipality of Oliver Paipoonge
563.	Lakehead District School Board	7553	Five Mile		City of Thunder Bay
564.	Lakehead District School Board	7556	Gorham & Ware		Thunder Bay
565.	Lakehead District School Board	7570	Valley Central PS		Municipality of Oliver Paipoonge
566.	Lakehead District School Board	7590	McKenzie		Township of Shuniah
567.	Lakehead District School Board	7591	Nor'wester View		City of Thunder Bay
568.	Lakehead District School Board	9974	Valley Central/Roslyn Village annex		Municipality of Oliver Paipoonge
569.	Lambton Kent District School Board	261	Brooke Central PS		Municipality of Brooke-Alvinston
570.	Lambton Kent District School Board	1030	Harwich-Raleigh PS		Municipality of Chatham-Kent
571.	Lambton Kent District School Board	2406	W J Baird PS		Municipality of Chatham-Kent
572.	Lambton Kent District School Board	5233		Blenheim DHS	Municipality of Chatham-Kent
573.	Lambton Kent District School Board	2588	Zone Township Central PS		Municipality of Chatham-Kent
574.	Lambton Kent District School	246	Brigden S		Township of St. Clair

Item/ Point	Column/Colonne 1	Column/Colonne 2	Column/Colonne 3	Column/Colonne 4	Column/Colonne 5
	Name of Board/Nom du conseil	SFIS No./N° du SIIS	Elementary School/École élémentaire	Secondary School/École secondaire	Location/Lieu
	Board				
575.	Lambton Kent District School Board	251	Bright's Grove PS		City of Sarnia
576.	Lambton Kent District School Board	14	Aberarder Central S		Town of Plympton-Wyoming
577.	Lambton Kent District School Board	756	Errol Village PS		Town of Plympton-Wyoming
578.	Lambton Kent District School Board	10495	Colonel Cameron Public School		Township of St. Clair
579.	Lambton Kent District School Board	564	Dawn Township Central S		Township of Dawn-Euphemia
580.	Lambton Kent District School Board	628	Dresden Area Central S		Municipality of Chatham-Kent
581.	Lambton Kent District School Board	5473		Lambton Kent Comp S	Municipality of Chatham-Kent
582.	Lambton Kent District School Board	2567	Kinnwood Central Public School		Municipality of Lambton Shores
583.	Lambton Kent District School Board	5364		North Lambton SS	Municipality of Lambton Shores
584.	Lambton Kent District School Board	948	Grand Bend PS		Municipality of Lambton Shores
585.	Lambton Kent District School Board	1532	Merlin Area PS		Municipality of Chatham-Kent
586.	Lambton Kent District School Board	1562	Mooretown-Courtright S		Township of St. Clair
587.	Lambton Kent District School Board	1087	Hillcrest PS		Town of Petrolia
588.	Lambton Kent District School Board	1321	Lambton Central Centennial S		Township of Enniskillen
589.	Lambton Kent District School Board	1911	Queen Elizabeth II PS		Town of Petrolia
590.	Lambton Kent District School Board	5472		Lambton Central Collegiate V.I.	Town of Petrolia
591.	Lambton Kent District School Board	2001	Riverview Central S		Township of St. Clair
592.	Lambton Kent District School Board	1111	Howard-Harwich-Moravian PS		Municipality of Chatham-Kent
593.	Lambton Kent District School Board	1983	Ridgetown PS		Municipality of Chatham-Kent
594.	Lambton Kent District School Board	5618		Ridgetown DHS	Municipality of Chatham-Kent
595.	Lambton Kent District School Board	493	Confederation Central S		City of Sarnia
596.	Lambton Kent District School Board	2293	Thamesville Area Central PS		Municipality of Chatham-Kent
597.	Lambton Kent District School Board	219	Bosanquet Central PS		Municipality of Lambton Shores
598.	Lambton Kent District School Board	2311	Tilbury Area PS		Municipality of Chatham-Kent
599.	Lambton Kent District School Board	5708		Tilbury DHS	Municipality of Chatham-Kent
600.	Lambton Kent District School Board	5733	East Lambton ES		Township of Warwick
601.	Lambton Kent District School Board	2489	Wheatley Area PS		Municipality of Leamington
602.	Lambton Kent District School Board	2185	South Plympton Central S		Town of Plympton-Wyoming
603.	Lambton Kent District School Board	2576	Wyoming PS		Town of Plympton-Wyoming
604.	Limestone District School Board	132	Bath PS		Township of Loyalist

Item/ Point	Column/Colonne 1	Column/Colonne 2	Column/Colonne 3	Column/Colonne 4	Column/Colonne 5
	Name of Board/Nom du conseil	SFIS No./N° du SIIS	Elementary School/École élémentaire	Secondary School/École secondaire	Location/Lieu
605.	Limestone District School Board	9674	Sandhurst PS		Town of Greater Napanee
606.	Limestone District School Board	2247	Storrington PS		Township of South Frontenac
607.	Limestone District School Board	9707	Centreville PS		Township of Stone Mills
608.	Limestone District School Board	1642	North Addington Education Centre (Elem)		Township of Addington Highlands
609.	Limestone District School Board	5195		North Addington Education Centre (Sec)	Township of Addington Highlands
610.	Limestone District School Board	9673	Denbigh PS		Township of Addington Highlands
611.	Limestone District School Board	720	Elginburg & District PS		City of Kingston
612.	Limestone District School Board	9675	Enterprise PS		Township of Stone Mills
613.	Limestone District School Board	918	Glenburnie PS		City of Kingston
614.	Limestone District School Board	1027	Harrowsmith PS		Township of South Frontenac
615.	Limestone District School Board	1823	Joyceville PS		City of Kingston
616.	Limestone District School Board	1329	Land O Lakes PS		Township of Central Frontenac
617.	Limestone District School Board	992	H H Langford		Town of Greater Napanee
618.	Limestone District School Board	1624	Newburgh PS		Township of Stone Mills
619.	Limestone District School Board	1698	Odessa PS		Township of Loyalist
620.	Limestone District School Board	5355		Ernestown SS	Township of Loyalist
621.	Limestone District School Board	1096	Hinchinbrooke PS		Township of Central Frontenac
622.	Limestone District School Board	1799	Perth Road PS		Township of South Frontenac
623.	Limestone District School Board	454	Clarendon Central PS		Township of North Frontenac
624.	Limestone District School Board	2099	Selby PS		Town of Greater Napanee
625.	Limestone District School Board	2115	Sharbot Lake PS		Township of Central Frontenac
626.	Limestone District School Board	2116	Sharbot Lake HS (Elem)		Township of Central Frontenac
627.	Limestone District School Board	5636		Sharbot Lake HS (Sec)	Township of Central Frontenac
628.	Limestone District School Board	9648	Amherst Island PS		Township of Loyalist
629.	Limestone District School Board	1396	Loughborough PS		Township of South Frontenac
630.	Limestone District School Board	5690		Sydenham HS	Township of South Frontenac
631.	Limestone District School Board	2277	Tamworth PS		Township of Stone Mills
632.	Limestone District School Board	1860	Prince Charles PS		Township of South Frontenac
633.	Limestone District School Board	2548	Marysville PS		Township of Frontenac Islands
634.	Limestone District School Board	9522	Yarker Family School		Township of Stone

Item/ Point	Column/Colonne 1	Column/Colonne 2	Column/Colonne 3	Column/Colonne 4	Column/Colonne 5
	Name of Board/Nom du conseil	SFIS No./N° du SIIS	Elementary School/École élémentaire	Secondary School/École secondaire	Location/Lieu
	Board				Mills
635.	Near North District School Board	253	Britt PS		Britt
636.	Near North District School Board	279	Land of Lakes Sr PS		Village of Burk's Falls
637.	Near North District School Board	281	M A Wittick Jr PS		Village of Burk's Falls
638.	Near North District School Board	308	M T Davidson S		Municipality of Callander
639.	Near North District School Board	806	Ferris Glen PS		Township of East Ferris
640.	Near North District School Board	2495	Whitestone Lake Central S		Municipality of Whitestone
641.	Near North District School Board	770	Evergreen Heights Education Centre		Township of Perry
642.	Near North District School Board	1416	Mactier PS		Township of Georgian Bay
643.	Near North District School Board	1420	Magnetawan Central PS		Municipality of Magnetawan
644.	Near North District School Board	1489	Mattawa District PS		Mattawa
645.	Near North District School Board	5511		F J McElligott SS	Mattawa
646.	Near North District School Board	1633	South Shore Education Centre		Township of Nipissing
647.	Near North District School Board	1635	Nobel PS		Municipality of Mcdougall
648.	Near North District School Board	1499	McDougall PS		Municipality of Mcdougall
649.	Near North District School Board	9556	Humphrey Central PS		Township of Seguin
650.	Near North District School Board	91	Argyle PS		Port Loring
651.	Near North District School Board	2108	Mapleridge Sr PS		Municipality of Powassan
652.	Near North District School Board	6379	Phelps Central School		Redbridge
653.	Near North District School Board	2187	South River PS		Village of South River
654.	Near North District School Board	5668		Almaguin Highlands SS	Township of Strong
655.	Near North District School Board	5686		Northern SS	Municipality of West Nipissing
656.	Near North District School Board	2258	Sundridge Centennial PS		Village of Sundridge
657.	Niagara Catholic District School Board	7972	St John		Town of Lincoln
658.	Niagara Catholic District School Board	10019	St. Mark Catholic Elementary		Town of Lincoln
659.	Niagara Catholic District School Board	3724	St Ann Sep S		Town of Pelham
660.	Niagara Catholic District School Board	3696	St Alexander Sep S		Town of Pelham
661.	Niagara Catholic District School Board	10078	St. George Catholic Elementary		Town of Fort Erie
662.	Niagara Catholic District School Board	7967	St Edward		Town of Lincoln
663.	Niagara Catholic District School Board	7977	St Michael		Town of Niagara-On-The-Lake
664.	Niagara Catholic District School Board	7976	St Martin		Township of West Lincoln

Item/ Point	Column/Colonne 1	Column/Colonne 2	Column/Colonne 3	Column/Colonne 4	Column/Colonne 5
	Name of Board/Nom du conseil	SFIS No./N° du SIIS	Elementary School/École élémentaire	Secondary School/École secondaire	Location/Lieu
665.	Niagara Catholic District School Board	4104	St Joseph Sep S		Town of Fort Erie
666.	Niagara Catholic District School Board	3922	St Elizabeth Sep S		Township of Wainfleet
667.	Nipissing-Parry Sound Catholic District School Board	5985	St. Theresa Catholic School		Township of East Ferris
668.	Nipissing-Parry Sound Catholic District School Board	4523	St Victor Sep S		Mattawa
669.	Nipissing-Parry Sound Catholic District School Board	3983	St Gregory Sep S		Municipality of Powassan
670.	Nipissing-Parry Sound Catholic District School Board	3560	Our Lady of Sorrows Sep S		Municipality of West Nipissing
671.	Northeastern Catholic District School Board	7748	St Patrick School		Town of Cobalt
672.	Northeastern Catholic District School Board	4145	Aileen-Wright English Catholic S		Town of Cochrane
673.	Northeastern Catholic District School Board	7745	Holy Family School		Town of Englehart
674.	Northeastern Catholic District School Board	4556	St Anne Sep S		Town of Iroquois Falls
675.	Northeastern Catholic District School Board	10383	St Anne JK-SK		Town of Iroquois Falls
676.	Northeastern Catholic District School Board	7744	English Catholic Central School		Township of Dymond
677.	Northeastern Catholic District School Board	7713	St Joseph School		City of Timmins
678.	Northwest Catholic District School Board	3509	Our Lady Of The Way		Township of Morley
679.	Ottawa-Carleton Catholic District School Board	3324	St Michaels Sep S - Carp		City of Ottawa
680.	Ottawa-Carleton Catholic District School Board	3223	St Michaels Sep S - Fitzroy		City of Ottawa
681.	Ottawa-Carleton Catholic District School Board	3241	St Mary Sep S - Gloucester		City of Ottawa
682.	Ottawa-Carleton Catholic District School Board	3399	St Isidore Sep S		City of Ottawa
683.	Ottawa-Carleton Catholic District School Board	3489	St Catherines Sep S		City of Ottawa
684.	Ottawa-Carleton Catholic District School Board	10125	St. Theresa Catholic Elementary School		City of Ottawa
685.	Ottawa-Carleton Catholic District School Board	4418	St Philip Sep S		City of Ottawa
686.	Ottawa-Carleton District School Board	1132	Huntley Centennial PS		City of Ottawa
687.	Ottawa-Carleton District School Board	5734		West Carleton SS	City of Ottawa
688.	Ottawa-Carleton District School Board	10140	Fitzroy Harbour PS		City of Ottawa
689.	Ottawa-Carleton District School Board	334	Castor Valley ES		City of Ottawa
690.	Ottawa-Carleton District School Board	1727	Greely PS		City of Ottawa
691.	Ottawa-Carleton District School Board	1239	Rideau Valley Middle S		City of Ottawa
692.	Ottawa-Carleton District School Board	1655	Kars PS		City of Ottawa
693.	Ottawa-Carleton District School Board	819	Fitzroy Centennial/Harbour PS		City of Ottawa
694.	Ottawa-Carleton District School Board	1725	Metcalfe PS		City of Ottawa



Item/ Point	Column/Colonne 1	Column/Colonne 2	Column/Colonne 3	Column/Colonne 4	Column/Colonne 5
	Name of Board/Nom du conseil	SFIS No./N° du SIIS	Elementary School/École élémentaire	Secondary School/École secondaire	Location/Lieu
695.	Ottawa-Carleton District School Board	5570		Osgoode Township HS	City of Ottawa
696.	Ottawa-Carleton District School Board	1593	Munster ES		City of Ottawa
697.	Ottawa-Carleton District School Board	1519	Meadowview PS		City of Ottawa
698.	Ottawa-Carleton District School Board	548	D. Aubrey Moodie Intermediate S		City of Ottawa
699.	Ottawa-Carleton District School Board	1607	Cedarview Middle S		City of Ottawa
700.	Ottawa-Carleton District School Board	1653	North Gower - Marlborough PS		City of Ottawa
701.	Ottawa-Carleton District School Board	1726	Osgoode PS		City of Ottawa
702.	Ottawa-Carleton District School Board	1977	Richmond PS		City of Ottawa
703.	Ottawa-Carleton District School Board	5662		South Carleton HS	City of Ottawa
704.	Ottawa-Carleton District School Board	940	Goulbourn Middle S		City of Ottawa
705.	Ottawa-Carleton District School Board	2320	Torbolton S		City of Ottawa
706.	Ottawa-Carleton District School Board	9537	Stonecrest ES		City of Ottawa
707.	Peel District School Board	64	Alloa PS		Town of Caledon
708.	Peel District School Board	338	Castlemore (Treeline Gore Campus)		City of Brampton
709.	Peel District School Board	1141	Huttonville PS		City of Brampton
710.	Peel District School Board	10402	Edenbrook Hill Public School		City of Brampton
711.	Peel District School Board	10490	Claireville P.S.		City of Brampton
712.	Peel District School Board	10597	Brisdale P.S.		City of Brampton
713.	Peel District School Board	164	Belfountain PS		Town of Caledon
714.	Peel District School Board	302	Caledon Central PS		Town of Caledon
715.	Peel District School Board	303	Caledon East PS		Town of Caledon
716.	Peel District School Board	304	Alton PS		Town of Caledon
717.	Peel District School Board	527	Credit View PS		Town of Caledon
718.	Peel District School Board	1052	Herb Campbell PS		Town of Caledon
719.	Peel District School Board	1417	Maeville PS		Town of Caledon
720.	Peel District School Board	1749	Palgrave PS		Town of Caledon
721.	Peterborough Victoria Northumberland and Clarington Catholic DSB	9261	St. Mary's School, Campbellford		Municipality of Trent Hills
722.	Peterborough Victoria Northumberland and Clarington Catholic DSB	9252	St. Joseph's School, Douro		Township of Douro-Dummer
723.	Peterborough Victoria Northumberland and Clarington Catholic DSB	9256	St. Luke's School		City of Kawartha Lakes
724.	Peterborough Victoria Northumberland and Clarington Catholic DSB	9253	St. Martin's School		Township of Smith-Ennismore-Lakefield
725.	Peterborough Victoria Northumberland and Clarington Catholic DSB	9265	St. Mary's School, Grafton		Township of Alnwick-Haldimand
726.	Peterborough Victoria Northumberland and Clarington Catholic DSB	9257	St. John's School, Kirkfield		City of Kawartha Lakes
727.	Peterborough Victoria Northumberland and Clarington Catholic DSB	9254	St. Paul's School, Lakefield		Township of Smith-Ennismore-Lakefield

Item/ Point	Column/Colonne 1	Column/Colonne 2	Column/Colonne 3	Column/Colonne 4	Column/Colonne 5
	Name of Board/Nom du conseil	SFIS No./N° du SIIS	Elementary School/École élémentaire	Secondary School/École secondaire	Location/Lieu
728.	Peterborough Victoria Northumberland and Clarington Catholic DSB	10037		St Thomas Aquinas Catholic	City of Kawartha Lakes
729.	Peterborough Victoria Northumberland and Clarington Catholic DSB	9255	St. Paul's School, Norwood		Township of Asphodel-Norwood
730.	Rainbow District School Board	298	C R Judd PS		City of Greater Sudbury
731.	Rainbow District School Board	433	Chelmsford PS		City of Greater Sudbury
732.	Rainbow District School Board	5853		Chelmsford Valley District C.S.	City of Greater Sudbury
733.	Rainbow District School Board	9829	Chelmsford Valley District CS Elementary Program		
734.	Rainbow District School Board	504	Copper Cliff PS		City of Greater Sudbury
735.	Rainbow District School Board	608	Larchwood PS		City of Greater Sudbury
736.	Rainbow District School Board	422	Charles C McLean PS		Gore Bay
737.	Rainbow District School Board	5483	Levack PS		City of Greater Sudbury
738.	Rainbow District School Board	1373	Little Current PS		Town of Northeastern Manitoulin And The Islands
739.	Rainbow District School Board	105	Assiginack PS		Township of Assiginack
740.	Rainbow District School Board	996	Markstay PS		Municipality of Markstay-Warren
741.	Rainbow District School Board	2075	S Geiger PS		Township of Sables-Spanish Rivers
742.	Rainbow District School Board	331	Central Manitoulin PS		Township of Central Manitoulin
743.	Rainbow District School Board	517	Monetville PS		Municipality of French River
744.	Rainbow District School Board	590	Wanup PS		City of Greater Sudbury
745.	Rainbow District School Board	9623	Warren P.S. (annex to Markstay PS)		Municipality of Markstay-Warren
746.	Rainbow District School Board	2436	Webbwood PS		Township of Sables-Spanish Rivers
747.	Rainbow District School Board	5505		Manitoulin SS	West Bay
748.	Rainbow District School Board	574	Robert H Murray PS		City of Greater Sudbury
749.	Rainy River District School Board	9381	Atikokan HS (Elem)		Township of Atikokan
750.	Rainy River District School Board	9385	North Star Community School		Township of Atikokan
751.	Rainy River District School Board	9390		Atikokan HS	Township of Atikokan
752.	Rainy River District School Board	9376	Crossroads E PS		Township of La Vallee
753.	Rainy River District School Board	9377	Donald Young PS		Township of Emo
754.	Rainy River District School Board	9387	Sturgeon Creek S		Township of Chapple
755.	Rainy River District School Board	9383	Nestor Falls PS		Township of Sioux Narrows-Nestor Falls
756.	Rainy River District School Board	9375	Riverview E S		Town of Rainy River

Item/ Point	Column/Colonne 1	Column/Colonne 2	Column/Colonne 3	Column/Colonne 4	Column/Colonne 5
	Name of Board/Nom du conseil	SFIS No./N° du SIIS	Elementary School/École élémentaire	Secondary School/École secondaire	Location/Lieu
	Board				
757.	Rainy River District School Board	9392		Rainy River HS	Town of Rainy River
758.	Rainy River District School Board	9382	McCrossan-Tovell PS		Township of Lake of The Woods
759.	Renfrew County Catholic District School Board	4056	St John Bosco Sep S		Township of Madawaska Valley
760.	Renfrew County Catholic District School Board	4088	St Joseph's Sep S - Calabogie		Township of Greater Madawaska
761.	Renfrew County Catholic District School Board	3767	St Anthony's Sep S		Town of Laurentian Hills
762.	Renfrew County Catholic District School Board	3604	George Vanier Sep S		Township of Madawaska Valley
763.	Renfrew County Catholic District School Board	4274	St Mary's Sep S - Deep River		Town of Deep River
764.	Renfrew County Catholic District School Board	4326	St Michael's Sep S		Township of Admaston/Bromley
765.	Renfrew County Catholic District School Board	4013	St James Sep S		Township of Bonnechere Valley
766.	Renfrew County Catholic District School Board	3715	St Andrews Sep S		Township of Killaloe, Hagarty And Richards
767.	Renfrew County Catholic District School Board	3829	St Casimir's Sep S		Township of Killaloe, Hagarty And Richards
768.	Renfrew County Catholic District School Board	3531	Our Lady of Grace Sep S		Township of Whitewater Region
769.	Renfrew County Catholic District School Board	4275	St Mary's Sep S - Wilno		Township of Killaloe, Hagarty And Richards
770.	Renfrew County District School Board	1509	McNab PS		Township of McNab-Braeside
771.	Renfrew County District School Board	131	Sherwood PS		Township of Madawaska Valley
772.	Renfrew County District School Board	5502		Madawaska Valley DHS	Township of Madawaska Valley
773.	Renfrew County District School Board	152	Beachburg PS		Township of Whitewater Region
774.	Renfrew County District School Board	116	Calabogie PS		Township of Greater Madawaska
775.	Renfrew County District School Board	470	Cobden District PS		Township of Whitewater Region
776.	Renfrew County District School Board	1260	Keys PS		Town of Deep River
777.	Renfrew County District School Board	2274	Morison PS		Town of Deep River
778.	Renfrew County District School Board	5311		MacKenzie HS	Town of Deep River
779.	Renfrew County District School Board	5566		Opeongo HS	Township of Admaston/Bromley
780.	Renfrew County District School Board	9445	Eganville P.S.		Township of Bonnechere Valley
781.	Renfrew County District School Board	1262	Killaloe PS		Township of Killaloe, Hagarty And Richards
782.	Renfrew County District School Board	1948	Palmer Rapids PS		Township of Brudenell, Lyndoch And Raglan
783.	Renfrew County District School Board	56	Rockwood PS		Township of Laurentian Valley
784.	Renfrew County District School Board	1811	Pine View PS		Township of Laurentian Valley
785.	Renfrew County District School Board	20	Admaston PS		Township of Admaston/Bromley
786.	Renfrew County District School Board	1109	Horton PS		Township of Horton

Item/ Point	Column/Colonne 1	Column/Colonne 2	Column/Colonne 3	Column/Colonne 4	Column/Colonne 5
	Name of Board/Nom du conseil	SFIS No./N° du SIIS	Elementary School/École élémentaire	Secondary School/École secondaire	Location/Lieu
787.	Renfrew County District School Board	2468	Westmeath PS		Township of Whitewater Region
788.	Simcoe County District School Board	8188	Angus Morrison ES		Township of Essa
789.	Simcoe County District School Board	8189	Pine River ES		Township of Essa
790.	Simcoe County District School Board	8214	Tecumseth North ES		Town of New Tecumseth
791.	Simcoe County District School Board	8137	Frederick Campbell ES		Borden
792.	Simcoe County District School Board	8144	Hon. Earl Rowe PS		Town of Bradford-West Gwillimbury
793.	Simcoe County District School Board	8173	Sir William Osler PS		Town of Bradford-West Gwillimbury
794.	Simcoe County District School Board	8238		Bradford DHS	Town of Bradford-West Gwillimbury
795.	Simcoe County District School Board	8198	Brechin PS		Township of Ramara
796.	Simcoe County District School Board	8202	Coldwater PS		Township of Severn
797.	Simcoe County District School Board	8204	Cookstown PS		Town of Innisfil
798.	Simcoe County District School Board	8215	Tecumseth Beeton		Town of New Tecumseth
799.	Simcoe County District School Board	8161	Nottawasaga & Creemore PS		Township of Clearview
800.	Simcoe County District School Board	8162	Creemore Annex		Township of Clearview
801.	Simcoe County District School Board	8190	Cumberland Beach /Ardrea PS		Township of Severn
802.	Simcoe County District School Board	8191	Cumberland Beach /Ardrea PS		Township of Severn
803.	Simcoe County District School Board	8208	Duntroon Central PS		Township of Clearview
804.	Simcoe County District School Board	8193	Baxter Annex		Township of Essa
805.	Simcoe County District School Board	8194	Baxter Central PS		Township of Essa
806.	Simcoe County District School Board	8146	Huron Centennial ES		Township of Springwater
807.	Simcoe County District School Board	8241		Elmvale DHS	Township of Springwater
808.	Simcoe County District School Board	8217	Tosorontio Central PS		Township of Adjala-Tosorontio
809.	Simcoe County District School Board	8209	East Oro PS		Township of Oro-Medonte
810.	Simcoe County District School Board	8143	Hillsdale ES		Township of Springwater
811.	Simcoe County District School Board	8147	Innisfil Central PS		Town of Innisfil
812.	Simcoe County District School Board	8150	Killarney Beach PS		Town of Innisfil
813.	Simcoe County District School Board	8183	Adjala Central PS		Township of Adjala-Tosorontio
814.	Simcoe County District School Board	8212	Forest Hill PS		Township of Springwater
815.	Simcoe County District School Board	8155	Minesing Central PS		Township of Springwater
816.	Simcoe County District School Board	8156	Moonstone ES		Township of Oro-Medonte
817.	Simcoe County District	8159	New Lowell PS		Township of Clearview

Item/ Point	Column/Colonne 1	Column/Colonne 2	Column/Colonne 3	Column/Colonne 4	Column/Colonne 5
	Name of Board/Nom du conseil	SFIS No./N° du SIIS	Elementary School/École élémentaire	Secondary School/École secondaire	Location/Lieu
	School Board				
818.	Simcoe County District School Board	8271	Nottawa PS		Township of Clearview
819.	Simcoe County District School Board	8153	Marchmont PS		Township of Severn
820.	Simcoe County District School Board	8219	Uptergrove PS		Township of Ramara
821.	Simcoe County District School Board	8139	Guthrie PS		Township of Oro-Medonte
822.	Simcoe County District School Board	8166	Port McNicoll PS		Township of Tay
823.	Simcoe County District School Board	8172	Shanty Bay PS		Township of Oro-Medonte
824.	Simcoe County District School Board	8223	W. R. Best Memorial PS		Township of Oro-Medonte
825.	Simcoe County District School Board	8199	Byng PS		Township of Clearview
826.	Simcoe County District School Board	8247		Stayner CI	Township of Clearview
827.	Simcoe County District School Board	10123	Clearview Meadows new		Township of Clearview
828.	Simcoe County District School Board	8138	Goodfellow PS		Town of Innisfil
829.	Simcoe County District School Board	8176	Sunnybrae PS		Town of Innisfil
830.	Simcoe County District School Board	8265	Alcona Glen ES		Town of Innisfil
831.	Simcoe County District School Board	8216	Tecumseth South Central PS		Town of New Tecumseth
832.	Simcoe County District School Board	8218	Tottenham PS		Town of New Tecumseth
833.	Simcoe County District School Board	8220	Victoria Harbour ES		Township of Tay
834.	Simcoe County District School Board	8154	Warminster ES		Township of Oro-Medonte
835.	Simcoe County District School Board	8196	Birchview Dunes ES		Town of Wasaga Beach
836.	Simcoe County District School Board	8227	Worsley ES		Town of Wasaga Beach
837.	Simcoe County District School Board	8169	Rama Central PS		Washago
838.	Simcoe County District School Board	8225	Waubashene ES		Township of Tay
839.	Simcoe County District School Board	9713	Waubashene Pines		Township of Tay
840.	Simcoe County District School Board	8229	Wyevalle Central PS		Township of Tiny
841.	Simcoe Muskoka Catholic District School Board	8299	Our Lady of Grace		Township of Essa
842.	Simcoe Muskoka Catholic District School Board	9404	Monsignor J.E. Ronan		Town of New Tecumseth
843.	Simcoe Muskoka Catholic District School Board	8310	St Charles		Town of Bradford-West Gwillimbury
844.	Simcoe Muskoka Catholic District School Board	8288	Foley		Township of Ramara
845.	Simcoe Muskoka Catholic District School Board	8306	Prince of Peace		Cfb Borden
846.	Simcoe Muskoka Catholic District School Board	8313	St James		Township of Adjala-Tosorontio
847.	Simcoe Muskoka Catholic District School Board	8300	Our Lady of Lourdes		Township of Springwater

Item/ Point	Column/Colonne 1	Column/Colonne 2	Column/Colonne 3	Column/Colonne 4	Column/Colonne 5
	Name of Board/Nom du conseil	SFIS No./N° du SIIS	Elementary School/École élémentaire	Secondary School/École secondaire	Location/Lieu
848.	Simcoe Muskoka Catholic District School Board	8301	Our Lady of Mercy		Township of Georgian Bay
849.	Simcoe Muskoka Catholic District School Board	8302	Our Lady of Assumption		Township of Clearview
850.	Simcoe Muskoka Catholic District School Board	8298	Notre Dame		Township of Oro-Medonte
851.	Simcoe Muskoka Catholic District School Board	8312	St Francis of Assisi		Town of Innisfil
852.	Simcoe Muskoka Catholic District School Board	9791	Holy Cross		Town of Innisfil
853.	Simcoe Muskoka Catholic District School Board	8287	Father F.X. O'Reilly		Town of New Tecumseth
854.	Simcoe Muskoka Catholic District School Board	8327		St Thomas Aquinas	Town of New Tecumseth
855.	Simcoe Muskoka Catholic District School Board	8330	St Antoine Daniel		Township of Tay
856.	Simcoe Muskoka Catholic District School Board	9407	St Noel Chabanel		Town of Wasaga Beach
857.	St. Clair Catholic District School Board	3732	St. Anne Catholic S, Blenheim		Municipality of Chatham-Kent
858.	St. Clair Catholic District School Board	4236	St. Mary Catholic S.		Municipality of Chatham-Kent
859.	St. Clair Catholic District School Board	4002	St. Ignatius Catholic S		Municipality of Chatham-Kent
860.	St. Clair Catholic District School Board	4315	St. Michael Catholic S, Bright's Grove		City of Sarnia
861.	St. Clair Catholic District School Board	4527	St. Vincent Catholic S		Municipality of Chatham-Kent
862.	St. Clair Catholic District School Board	6387	St. Joseph Catholic S, Corunna		Township of St. Clair
863.	St. Clair Catholic District School Board	4297	St. Michael Catholic S, Dresden		Municipality of Chatham-Kent
864.	St. Clair Catholic District School Board	4061	St. John Fisher Catholic S		Municipality of Lambton Shores
865.	St. Clair Catholic District School Board	4424	St. Philip Catholic S		Town of Petrolia
866.	St. Clair Catholic District School Board	3649	Sacred Heart Catholic S, Port Lambton		Township of St. Clair
867.	St. Clair Catholic District School Board	4304	St. Michael Catholic S, Ridgetown		Municipality of Chatham-Kent
868.	St. Clair Catholic District School Board	4386	St. Paul Catholic S		Municipality of Chatham-Kent
869.	St. Clair Catholic District School Board	4123	St. Joseph Catholic S, Tilbury		Municipality of Chatham-Kent
870.	St. Clair Catholic District School Board	4400	St. Peter Canisius Catholic S		Township of Warwick
871.	St. Clair Catholic District School Board	3315	Holy Rosary Catholic S		Town of Plympton-Wyoming
872.	Sudbury Catholic District School Board	4240	St Mary Sep S		City of Greater Sudbury
873.	Sudbury Catholic District School Board	3844	St Charles Sep S		City of Greater Sudbury
874.	Sudbury Catholic District School Board	3550	St Paul the Apostle Sep S		City of Greater Sudbury
875.	Sudbury Catholic District School Board	4116	St Joseph Sep S		Municipality of Killarney
876.	Sudbury Catholic District School Board	4212	St Mark Sep S		Municipality of Markstay-Warren
877.	Sudbury Catholic District School Board	3766	St Christopher Sep S		City of Greater Sudbury

Item/ Point	Column/Colonne 1	Column/Colonne 2	Column/Colonne 3	Column/Colonne 4	Column/Colonne 5
	Name of Board/Nom du conseil	SFIS No./N° du SIIS	Elementary School/École élémentaire	Secondary School/École secondaire	Location/Lieu
878.	Superior North Catholic District School Board	4100	St Joseph		Municipality of Greenstone
879.	Superior North Catholic District School Board	3514	Our Lady of Fatima		Municipality of Greenstone
880.	Superior North Catholic District School Board	3542	Our Lady of Lourdes S		Township of Manitouwadge
881.	Superior North Catholic District School Board	3319	Holy Saviour		Town of Marathon
882.	Superior North Catholic District School Board	3821	St Brigid Sep S		Municipality of Greenstone
883.	Superior North Catholic District School Board	10661	Saint Edward Catholic School		Township of Nipigon
884.	Superior North Catholic District School Board	3996	St Hilary Sep S		Township of Red Rock
885.	Superior North Catholic District School Board	3269	Holy Angels Sep S		Township of Schreiber
886.	Superior North Catholic District School Board	4230	St Martin		Township of Terrace Bay
887.	Superior-Greenstone District School Board	5389	Beardmore PS		Municipality of Greenstone
888.	Superior-Greenstone District School Board	601	Dorion PS		Township of Dorion
889.	Superior-Greenstone District School Board	896	B A Parker PS		Municipality of Greenstone
890.	Superior-Greenstone District School Board	5388		Geraldton Comp Secondary School	Municipality of Greenstone
891.	Superior-Greenstone District School Board	9535	Marjorie Mills PS		Municipality of Greenstone
892.	Superior-Greenstone District School Board	1436	Manitouwadge PS		Township of Manitouwadge
893.	Superior-Greenstone District School Board	9319		New Manitouwadge HS	Township of Manitouwadge
894.	Superior-Greenstone District School Board	1461	Margaret Twomey PS		Town of Marathon
895.	Superior-Greenstone District School Board	5507		Marathon HS	Town of Marathon
896.	Superior-Greenstone District School Board	1632	George O'Neill PS		Township of Nipigon
897.	Superior-Greenstone District School Board	1963	Red Rock PS		Township of Red Rock
898.	Superior-Greenstone District School Board	5542		Nipigon Red Rock DHS	Township of Red Rock
899.	Superior-Greenstone District School Board	2089	Schreiber PS		Township of Schreiber
900.	Superior-Greenstone District School Board	2289	Terrace Bay PS		Township of Terrace Bay
901.	Superior-Greenstone District School Board	5631		Lake Superior HS	Township of Terrace Bay
902.	Thames Valley District School Board	683	East Williams Memorial PS		Municipality of North Middlesex
903.	Thames Valley District School Board	1500	McGillivray Central PS		Municipality of North Middlesex
904.	Thames Valley District School Board	1381	Centennial Central PS		Township of Middlesex Centre
905.	Thames Valley District School Board	5517		Medway HS	Township of Middlesex Centre
906.	Thames Valley District School Board	1429	Summer's Corners PS		Township of Malahide
907.	Thames Valley District School Board	2459	Beachville PS		Township of South-West Oxford

Item/ Point	Column/Colonne 1	Column/Colonne 2	Column/Colonne 3	Column/Colonne 4	Column/Colonne 5
	Name of Board/Nom du conseil	SFIS No./N° du SIIS	Elementary School/École élémentaire	Secondary School/École secondaire	Location/Lieu
908.	Thames Valley District School Board	600	South Dorchester PS		Township of Malahide
909.	Thames Valley District School Board	1656	North Norwich PS		Township of Norwich
910.	Thames Valley District School Board	569	Delaware Central PS		Township of Middlesex Centre
911.	Thames Valley District School Board	1857	Prince Andrew PS		Township of Middlesex Centre
912.	Thames Valley District School Board	1664	Northdale Central Sr PS		Municipality of Thames Centre
913.	Thames Valley District School Board	1992	River Heights PS		Municipality of Thames Centre
914.	Thames Valley District School Board	5309		Lord Dorchester SS	Municipality of Thames Centre
915.	Thames Valley District School Board	630	Drumbo Central PS		Township of Blandford-Blenheim
916.	Thames Valley District School Board	654	Dunwich-Dutton PS		Municipality of Dutton-Dunwich
917.	Thames Valley District School Board	2589	Zorra Highland Park PS		Township of Zorra
918.	Thames Valley District School Board	711	Ekcoe Central PS		Municipality of Southwest Middlesex
919.	Thames Valley District School Board	1571	Mosa Central PS		Municipality of Southwest Middlesex
920.	Thames Valley District School Board	5391		Glencoe DHS	Municipality of Southwest Middlesex
921.	Thames Valley District School Board	1059	Hickson Central PS		Township of East Zorra-Tavistock
922.	Thames Valley District School Board	1738	Oxbow PS		Township of Middlesex Centre
923.	Thames Valley District School Board	2358	Valleyview Central PS		Township of Middlesex Centre
924.	Thames Valley District School Board	1148	Innerkip Central PS		Township of East Zorra-Tavistock
925.	Thames Valley District School Board	5	A J Baker		Township of Zorra
926.	Thames Valley District School Board	1770	Parkview PS		Township of Middlesex Centre
927.	Thames Valley District School Board	192	Biddulph Central PS		Township of Lucan Biddulph
928.	Thames Valley District School Board	1398	Lucan PS		Township of Lucan Biddulph
929.	Thames Valley District School Board	323	Caradoc South PS		Township of Strathroy-Caradoc
930.	Thames Valley District School Board	321	Caradoc Central PS		Township of Strathroy-Caradoc
931.	Thames Valley District School Board	1677	Norwich PS		Township of Norwich
932.	Thames Valley District School Board	5557		Norwich DHS	Township of Norwich
933.	Thames Valley District School Board	2183	Otterville Central PS		Township of Norwich
934.	Thames Valley District School Board	1758	Parkhill-West Williams PS		Municipality of North Middlesex
935.	Thames Valley District School Board	5548		North Middlesex DHS	Municipality of North Middlesex
936.	Thames Valley District School Board	1826	Plattsville & District PS		Township of Blandford-Blenheim
937.	Thames Valley District School Board	1840	Port Burwell PS		Municipality of Bayham



Item/ Point	Column/Colonne 1	Column/Colonne 2	Column/Colonne 3	Column/Colonne 4	Column/Colonne 5
	Name of Board/Nom du conseil	SFIS No./N° du SIIS	Elementary School/École élémentaire	Secondary School/École secondaire	Location/Lieu
938.	Thames Valley District School Board	1890	Princeton Central PS		Township of Blandford-Blenheim
939.	Thames Valley District School Board	38	Aldborough PS		Municipality of West Elgin
940.	Thames Valley District School Board	2577	Sparta PS		Municipality of Central Elgin
941.	Thames Valley District School Board	2203	Springfield PS		Township of Malahide
942.	Thames Valley District School Board	2194	Southwold PS		Township of Southwold
943.	Thames Valley District School Board	2578	New Sarum PS		Municipality of Central Elgin
944.	Thames Valley District School Board	2248	Straffordville PS		Municipality of Bayham
945.	Thames Valley District School Board	22	Adelaide - W G MacDonald PS		Township of Adelaide-Metcalf
946.	Thames Valley District School Board	322	Caradoc North PS		Township of Strathroy-Caradoc
947.	Thames Valley District School Board	1535	Metcalf Central PS		Township of Adelaide-Metcalf
948.	Thames Valley District School Board	2280	Tavistock PS		Township of East Zorra-Tavistock
949.	Thames Valley District School Board	2292	Thamesford PS		Township of Zorra
950.	Thames Valley District School Board	1348	Leesboro Central PS		Municipality of Thames Centre
951.	Thames Valley District School Board	1835	Plover Mills PS		Municipality of Thames Centre
952.	Thames Valley District School Board	2450		West Elgin SS	Municipality of West Elgin
953.	Thames Valley District School Board	5886	West Elgin Sr PS		Municipality of West Elgin
954.	Thames Valley District School Board	680	East Oxford PS		Township of Norwich
955.	Thames Valley District School Board	9932	Sweaburg PS		Township of South-West Oxford
956.	Trillium Lakelands District School Board	952	Grandview PS		Township of Cavan-Millbrook-North Monaghan
957.	Trillium Lakelands District School Board	2026	Rolling Hills PS		City of Kawartha Lakes
958.	Trillium Lakelands District School Board	217	Bobcaygeon PS		City of Kawartha Lakes
959.	Trillium Lakelands District School Board	1597	Muskoka Falls/Oakley PS		Town of Bracebridge
960.	Trillium Lakelands District School Board	2092	Fenelon Twp PS		City of Kawartha Lakes
961.	Trillium Lakelands District School Board	325	Cardiff ES		Municipality of Highlands East
962.	Trillium Lakelands District School Board	190	Ridgewood PS		City of Kawartha Lakes
963.	Trillium Lakelands District School Board	651	Dunsford Dist ES		City of Kawartha Lakes
964.	Trillium Lakelands District School Board	1155	Irwin Memorial PS		Township of Lake of Bays
965.	Trillium Lakelands District School Board	1331	Langton PS		City of Kawartha Lakes
966.	Trillium Lakelands District School Board	5361		Fenelon Falls SS	City of Kawartha Lakes

Item/ Point	Column/Colonne 1	Column/Colonne 2	Column/Colonne 3	Column/Colonne 4	Column/Colonne 5
	Name of Board/Nom du conseil	SFIS No./N° du SIIS	Elementary School/École élémentaire	Secondary School/École secondaire	Location/Lieu
967.	Trillium Lakelands District School Board	10386		Fenelon Falls Community Learning Centre	City of Kawartha Lakes
968.	Trillium Lakelands District School Board	1001	J Douglas Hodgson ES		Township of Dysart Et Al
969.	Trillium Lakelands District School Board	2379		CLC - Haliburton	Township of Dysart Et Al
970.	Trillium Lakelands District School Board	5409		Haliburton Highland SS	Township of Dysart Et Al
971.	Trillium Lakelands District School Board	9548	Stuart Baker ES		Township of Dysart Et Al
972.	Trillium Lakelands District School Board	5971	Glen Orchard/Honey Harbour PS		Township of Georgian Bay
973.	Trillium Lakelands District School Board	274	Riverside PS		Town of Huntsville
974.	Trillium Lakelands District School Board	714	Lady MacKenzie PS		City of Kawartha Lakes
975.	Trillium Lakelands District School Board	5892		Adult Ed. & Trg Centre	City of Kawartha Lakes
976.	Trillium Lakelands District School Board	618	Dr. George Hall PS		City of Kawartha Lakes
977.	Trillium Lakelands District School Board	82	Archie Stouffer ES		Township of Minden Hills
978.	Trillium Lakelands District School Board	1428	Mariposa ES		City of Kawartha Lakes
979.	Trillium Lakelands District School Board	1704	Lady Eaton ES		City of Kawartha Lakes
980.	Trillium Lakelands District School Board	6372	Scott Young PS		City of Kawartha Lakes
981.	Trillium Lakelands District School Board	1522	Glen Orchard/Honey Harbour PS		Township of Muskoka Lakes
982.	Trillium Lakelands District School Board	1569	K P Manson PS		Town of Gravenhurst
983.	Trillium Lakelands District School Board	2350	V K Greer Memorial PS		Town of Huntsville
984.	Trillium Lakelands District School Board	2433	Watt PS		Township of Muskoka Lakes
985.	Trillium Lakelands District School Board	2501	Wilberforce ES		Municipality of Highlands East
986.	Trillium Lakelands District School Board	2568	Woodville ES		City of Kawartha Lakes
987.	Upper Canada District School Board	10551	Meadowview Public School		Township of Elizabethtown-Kitley
988.	Upper Canada District School Board	5395		Glengarry DHS	Township of North Glengarry
989.	Upper Canada District School Board	65	Naismith Memorial PS		Town of Mississippi Mills
990.	Upper Canada District School Board	5207		Almonte & District High School	Town of Mississippi Mills
991.	Upper Canada District School Board	6340	R Tait Mckenzie PS		Town of Mississippi Mills
992.	Upper Canada District School Board	107	Pineview Public School		Township of Athens
993.	Upper Canada District School Board	5215		Athens District High School	Township of Athens
994.	Upper Canada District School Board	113	Roxmore PS		Township of North Stormont
995.	Upper Canada District School Board	5691		Tagwi Secondary School	Township of North Stormont
996.	Upper Canada District School Board	1328	S J McLeod PS		Township of South Glengarry

Item/ Point	Column/Colonne 1	Column/Colonne 2	Column/Colonne 3	Column/Colonne 4	Column/Colonne 5
	Name of Board/Nom du conseil	SFIS No./N° du SIIS	Elementary School/École élémentaire	Secondary School/École secondaire	Location/Lieu
997.	Upper Canada District School Board	182	North Stormont PS		Township of North Stormont
998.	Upper Canada District School Board	398	Dixons Corners PS		Township of South Dundas
999.	Upper Canada District School Board	50	Algonquin Public School		Township of Augusta
1000.	Upper Canada District School Board	178	Benson Public School		Township of Edwardsburgh/Cardinal
1001.	Upper Canada District School Board	160	Beckwith PS		Township of Beckwith
1002.	Upper Canada District School Board	441	Chesterville PS		Township of North Dundas
1003.	Upper Canada District School Board	732	Elma PS		Township of South Dundas
1004.	Upper Canada District School Board	1450	Maple Ridge Sr PS		Township of North Dundas
1005.	Upper Canada District School Board	5544		North Dundas DHS	Township of North Dundas
1006.	Upper Canada District School Board	1305	Laggan PS		Township of North Glengarry
1007.	Upper Canada District School Board	538	South Crosby Public School		Township of Rideau Lakes
1008.	Upper Canada District School Board	5615		Rideau District High School	Township of Rideau Lakes
1009.	Upper Canada District School Board	312	Cambridge PS		Municipality of The Nation
1010.	Upper Canada District School Board	2048	Rothwell-Osnabruck E S		Township of South Stormont
1011.	Upper Canada District School Board	5572		Rothwell-Osnabruck DHS	Township of South Stormont
1012.	Upper Canada District School Board	1583	Inkerman PS		Township of North Dundas
1013.	Upper Canada District School Board	1153	Iroquois PS		Township of South Dundas
1014.	Upper Canada District School Board	5441		Seaway District HS	Township of South Dundas
1015.	Upper Canada District School Board	1247	Kemptville Public School		Municipality of North Grenville
1016.	Upper Canada District School Board	2191	South Branch Elementary School		Municipality of North Grenville
1017.	Upper Canada District School Board	5546		North Grenville District High School	Municipality of North Grenville
1018.	Upper Canada District School Board	1446	Maple Grove Public School		Township of Lanark Highlands
1019.	Upper Canada District School Board	10553	Thousand Islands Elementary School		Township of Leeds And The Thousand Islands
1020.	Upper Canada District School Board	1378	Lombardy Public School		Township of Rideau Lakes
1021.	Upper Canada District School Board	1382	Longue Sault PS		Township of South Stormont
1022.	Upper Canada District School Board	1403	Lyn Public School		Township of Elizabethtown-Kitley
1023.	Upper Canada District School Board	2270	Sweets Corners Elementary School		Township of Leeds And The Thousand Islands
1024.	Upper Canada District School Board	1423	Maitland Public School		Township of Augusta
1025.	Upper Canada District School Board	1431	Front of Yonge Public School		Township of Front of Yonge
1026.	Upper Canada District School Board	1475	Martintown PS		Township of South Glengarry

Item/ Point	Column/Colonne 1	Column/Colonne 2	Column/Colonne 3	Column/Colonne 4	Column/Colonne 5
	Name of Board/Nom du conseil	SFIS No./N° du SIIS	Elementary School/École élémentaire	Secondary School/École secondaire	Location/Lieu
1027.	Upper Canada District School Board	1491	Maxville PS		Township of North Glengarry
1028.	Upper Canada District School Board	1533	Merrickville Public School		Village of Merrickville-Wolford
1029.	Upper Canada District School Board	2549	Wolford Public School		Village of Merrickville-Wolford
1030.	Upper Canada District School Board	2530	Morewood PS		Township of North Dundas
1031.	Upper Canada District School Board	1568	Morrisburg PS		Township of South Dundas
1032.	Upper Canada District School Board	1741	Oxford-On-Rideau Public School		Municipality of North Grenville
1033.	Upper Canada District School Board	1746	Pakenham PS		Town of Mississippi Mills
1034.	Upper Canada District School Board	631	Drummond Central PS		Township of Drummond-North Elmsley
1035.	Upper Canada District School Board	737	North Elmsley PS		Township of Drummond-North Elmsley
1036.	Upper Canada District School Board	917	Glen Tay PS		Township of Tay Valley
1037.	Upper Canada District School Board	1825	Plantagenet PS		Township of Alfred And Plantagenet
1038.	Upper Canada District School Board	1623	Rideau Centennial Public School		Township of Rideau Lakes
1039.	Upper Canada District School Board	220	Boundary Street Public School		Separated Town of Prescott
1040.	Upper Canada District School Board	376	Central Public School		Separated Town of Prescott
1041.	Upper Canada District School Board	707	South Edwardsburg PS		Township of Edwardsburgh/Cardinal
1042.	Upper Canada District School Board	1492	Maynard Public School		Township of Augusta
1043.	Upper Canada District School Board	5664		South Grenville District High School	Separated Town of Prescott
1044.	Upper Canada District School Board	1604	Nationview PS		Township of North Dundas
1045.	Upper Canada District School Board	353	Centennial '67 Public School		Township of Edwardsburgh/Cardinal
1046.	Upper Canada District School Board	5993	North Edwardsburg PS		Township of Edwardsburgh/Cardinal
1047.	Upper Canada District School Board	1853	Pleasant Corners PS		Township of Champlain
1048.	Upper Canada District School Board	5716		Vankleek Hill CI	Township of Champlain
1049.	Upper Canada District School Board	1981	Rideau Vista Public School		Township of Rideau Lakes
1050.	Upper Canada District School Board	2512	Williamstown PS		Township of South Glengarry
1051.	Upper Canada District School Board	5253		Char-Lan District High School	Township of South Glengarry
1052.	Upper Canada District School Board	2528	Winchester PS		Township of North Dundas
1053.	Upper Grand District School Board	1789	Alma PS		Township of Mapleton
1054.	Upper Grand District School Board	101	Arthur PS		Township of Wellington North
1055.	Upper Grand District School Board	411	Centre Peel PS		Township of Mapleton

Item/ Point	Column/Colonne 1	Column/Colonne 2	Column/Colonne 3	Column/Colonne 4	Column/Colonne 5
	Name of Board/Nom du conseil	SFIS No./N° du SIIS	Elementary School/École élémentaire	Secondary School/École secondaire	Location/Lieu
1056.	Upper Grand District School Board	627	Drayton Heights P.S.		Township of Mapleton
1057.	Upper Grand District School Board	739	Elora Sr PS		Township of Centre Wellington
1058.	Upper Grand District School Board	749	Brisbane PS		Town of Erin
1059.	Upper Grand District School Board	5353	Erin PS		Town of Erin
1060.	Upper Grand District School Board	9987		Erin DHS	Town of Erin
1061.	Upper Grand District School Board	10487		Centre Wellington District High School	Township of Centre Wellington
1062.	Upper Grand District School Board	949	Grand Valley & District PS		Township of East Luther Grand Valley
1063.	Upper Grand District School Board	1838	Ponsonby PS		Township of Centre Wellington
1064.	Upper Grand District School Board	1899	Aberfoyle PS		Township of Puslinch
1065.	Upper Grand District School Board	1024	Harriston PS		Town of Minto
1066.	Upper Grand District School Board	1553	Minto-Clifford PS		Town of Minto
1067.	Upper Grand District School Board	750	Ross R MacKay PS		Town of Erin
1068.	Upper Grand District School Board	1248	Kenilworth PS		Township of Wellington North
1069.	Upper Grand District School Board	1561	Maryborough PS		Township of Mapleton
1070.	Upper Grand District School Board	1576	Mount Forest PS		Township of Wellington North
1071.	Upper Grand District School Board	10488		Wellington Heights	Township of Wellington North
1072.	Upper Grand District School Board	9432	Laurelwoods ES		Township of Amaranth
1073.	Upper Grand District School Board	866	East Garafraxa Central PS		Township of East Garafraxa
1074.	Upper Grand District School Board	1752	Palmerston P.S.		Town of Minto
1075.	Upper Grand District School Board	5556		Norwell DHS	Town of Minto
1076.	Upper Grand District School Board	748	Eramosa PS		Township of Guelph/Eramosa
1077.	Upper Grand District School Board	2020	Rockwood Centennial PS		Township of Guelph/Eramosa
1078.	Upper Grand District School Board	2078	Salem PS		Township of Centre Wellington
1079.	Upper Grand District School Board	361	Centennial Hylands E S		Township of Amaranth
1080.	Upper Grand District School Board	939	Hyland Heights E S		Town of Shelburne
1081.	Upper Grand District School Board	1856	Primrose E S		Township of Mulmur
1082.	Upper Grand District School Board	5275		Centre Dufferin DHS	Town of Shelburne
1083.	Waterloo Catholic District School Board	9939	St. Brigid		Township of North Dumfries
1084.	Waterloo Catholic District School Board	4590	St Boniface Sep S (Maryhill)		Township of Woolwich
1085.	Waterloo Catholic District School Board	4596	St Agatha S		Township of Wilmot

Item/ Point	Column/Colonne 1	Column/Colonne 2	Column/Colonne 3	Column/Colonne 4	Column/Colonne 5
	Name of Board/Nom du conseil	SFIS No./N° du SIIS	Elementary School/École élémentaire	Secondary School/École secondaire	Location/Lieu
1086.	Waterloo Catholic District School Board	4592	St Clement Sep S		Township of Wellesley
1087.	Waterloo Region District School Board	115	Ayr PS		Township of North Dumfries
1088.	Waterloo Region District School Board	9963	Cedar Creek		Township of North Dumfries
1089.	Waterloo Region District School Board	2523	Baden PS		Township of Wilmot
1090.	Waterloo Region District School Board	5732		Waterloo-Oxford DSS	Township of Wilmot
1091.	Waterloo Region District School Board	2428	Breslau PS		Township of Woolwich
1092.	Waterloo Region District School Board	2570	Conestogo PS		Township of Woolwich
1093.	Waterloo Region District School Board	829	Floradale PS		Township of Woolwich
1094.	Waterloo Region District School Board	1369	Linwood PS		Township of Wellesley
1095.	Waterloo Region District School Board	2519	New Dundee PS		Township of Wilmot
1096.	Waterloo Region District School Board	841	Forest Glen PS		Township of Wilmot
1097.	Waterloo Region District School Board	1618	Grandview PS		Township of Wilmot
1098.	Waterloo Region District School Board	2521	Wilmot Sr PS		Township of Wilmot
1099.	Waterloo Region District School Board	2571	Three Bridges PS		Township of Woolwich
1100.	Waterloo Region District School Board	2573	St Jacobs PS		Township of Woolwich
1101.	Waterloo Region District School Board	2440	Wellesley PS		Township of Wellesley
1102.	Wellington Catholic District School Board	4041	St John Cath Arth		Township of Wellington North
1103.	Wellington Catholic District School Board	4242	St Mary Cath Elora		Township of Centre Wellington
1104.	Wellington Catholic District School Board	4059	St John Brebeuf Cath S		Town of Erin
1105.	Wellington Catholic District School Board	4241	St Mary Cath MF		Township of Wellington North
1106.	Windsor-Essex Catholic District School Board	4055	St John the Baptist Sep S		Town of Lakeshore
1107.	Windsor-Essex Catholic District School Board	4538	St William Sep S		Town of Lakeshore
1108.	Windsor-Essex Catholic District School Board	4480	St Theresa Sep S		Town of Amherstburg
1109.	Windsor-Essex Catholic District School Board	4571		St Thomas of Villanova SS	Town of Lasalle
1110.	Windsor-Essex Catholic District School Board	4245	St Mary's S		Town of Tecumseh
1111.	Windsor-Essex Catholic District School Board	4084	St Joseph Sep S		Town of Amherstburg
1112.	Windsor-Essex Catholic District School Board	3084	Our Lady of the Annunciation		Town of Lakeshore
1113.	Windsor-Essex Catholic District School Board	4406	St Peter Sep S		Town of Tecumseh
1114.	Windsor-Essex Catholic District School Board	4064	St John Sep S		Town of Lakeshore
1115.	York Catholic District School Board	3638	Holy Name CES		Township of King

Item/ Point	Column/Colonne 1	Column/Colonne 2	Column/Colonne 3	Column/Colonne 4	Column/Colonne 5
	Name of Board/Nom du conseil	SFIS No./N° du SIIS	Elementary School/École élémentaire	Secondary School/École secondaire	Location/Lieu
1116.	York Catholic District School Board	4280	St. Mary CES		Township of King
1117.	York Catholic District School Board	4352	St. Patrick (Schomberg) CES		Township of King
1118.	York Catholic District School Board	3500	Our Lady of Good CES		Town of East Gwillimbury
1119.	York Catholic District School Board	3759	St. Bernadette CES		Town of Georgina
1120.	York Region District School Board	1258	Kettleby PS		Township of King
1121.	York Region District School Board	1285	King City PS		Township of King
1122.	York Region District School Board	1301	Kleinburg PS		City of Vaughan
1123.	York Region District School Board	1572	Mount Albert PS		Town of East Gwillimbury
1124.	York Region District School Board	1289	Nobleton Junior PS		Township of King
1125.	York Region District School Board	1637	Nobleton Sr PS		Township of King
1126.	York Region District School Board	1565	Morning Glory PS		Town of Georgina
1127.	York Region District School Board	985	Queensville PS		Town of East Gwillimbury
1128.	York Region District School Board	1288	Schomberg PS		Township of King
1129.	York Region District School Board	984	Sharon PS		Town of East Gwillimbury
1130.	York Region District School Board	119	Ballantrae PS		Town of Whitchurch-Stouffville
1131.	York Region District School Board	2490	Whitchurch Highlands PS		Town of Whitchurch-Stouffville
1132.	York Region District School Board	199	Black River PS		Town of Georgina
1133.	York Region District School Board	2267	Sutton PS		Town of Georgina
1134.	York Region District School Board	5689		Sutton DHS	Town of Georgina

## RÈGLEMENT DE L'ONTARIO 400/05

pris en application de la

### LOI SUR L'ÉDUCATION

pris le 22 juin 2005  
déposé le 27 juin 2005

## SUBVENTIONS POUR LES BESOINS DES ÉLÈVES — SUBVENTIONS GÉNÉRALES POUR L'EXERCICE 2005-2006 DES CONSEILS SCOLAIRES

### SOMMAIRE

#### PARTIE I DISPOSITIONS GÉNÉRALES

1. Application et interprétation
2. Élève d'un conseil
3. Effectif

4. Niveau d'exactitude
5. Subventions générales
6. Versements
7. Conditions du versement des subventions
8. Redressement du trop-payé
9. Redressement du moins-payé

**PARTIE II**  
**SUBVENTIONS EN FAVEUR DES CONSEILS SCOLAIRES DE DISTRICT**

10. Éléments de la subvention
11. Montant de la subvention
12. Recettes fiscales de 2005-2006
13. Éléments éducation de base
14. Éléments effectifs des classes du cycle primaire
15. Éléments éducation de l'enfance en difficulté
16. Somme liée à l'éducation de l'enfance en difficulté fondée sur l'effectif
17. Matériel spécialisé
18. Somme liée aux besoins élevés
19. Cas spéciaux
20. Somme liée aux établissements
21. Éducation de l'enfance en difficulté, déménagement à un nouveau conseil
22. Éléments enseignement des langues — conseils de langue anglaise
23. Somme liée aux programmes de français langue seconde
24. Somme liée aux programmes de langue autochtone
25. Somme liée aux programmes d'ESL/ESD
26. Éléments enseignement des langues — conseils de langue française
27. Somme liée aux programmes de français langue première
28. Programmes d'ALF/PDF
29. Éléments écoles rurales et écoles éloignées
30. Éléments conseils ruraux et éloignés
31. Éléments programmes d'aide à l'apprentissage
32. Éléments éducation permanente et autres programmes
33. Éléments redressement des coûts et compétence et expérience des enseignants
34. Éléments transport des élèves
35. Éléments administration et gestion
36. Éléments installations d'accueil pour les élèves
37. Éléments service de la dette
38. Redressement pour baisse des effectifs
39. Conformité
40. Enveloppes, dépenses liées aux classes
41. Dépenses obligatoires, éducation de l'enfance en difficulté
42. Somme affectée par le conseil scolaire de district aux écoles rurales et écoles éloignées
43. Dépenses obligatoires, immobilisations
44. Dépenses d'administration et de gestion maximales
45. Fonds de flexibilité

**PARTIE III**  
**SUBVENTIONS EN FAVEUR DES ADMINISTRATIONS SCOLAIRES**

46. Subventions en faveur des conseils isolés
47. Subventions en faveur des conseils créés en vertu de l'art. 68

**PARTIE IV**  
**PAIEMENTS FAITS À DES ADMINISTRATIONS RESPONSABLES**

48. Définitions
49. Élève fréquentant l'école au Manitoba ou au Québec
50. Élève fréquentant une école d'une réserve
51. Sommes payables au conseil : fréquentation de l'école par les enfants indiens
- Table/Tableau 1 ESL/ESD grant/Subvention esl/esd
- Table/Tableau 2 Assimilation factors for ALF funding/Facteurs d'assimilation pour le financement des programmes d'ALF
- Table/Tableau 3 Closed distant schools/Écoles éloignées fermées
- Table/Tableau 4 New distant schools/Nouvelles écoles éloignées
- Table/Tableau 5 Distant schools adjustment/Redressement pour écoles éloignées
- Table/Tableau 6 Remote and rural allocation/Éléments conseils ruraux et éloignés
- Table/Tableau 7 Learning opportunities/Programmes d'aide à l'apprentissage
- Table/Tableau 8 Teacher qualification and experience/Compétence et expérience des enseignants
- Table/Tableau 9 Cost adjustment amount for non-teachers/Somme liée au redressement des coûts pour le personnel non enseignant
- Table/Tableau 10 Amount for renewal software licensing fees/Somme liée au renouvellement des permis d'utilisation de logiciels



Table/Tableau 11	Community use of schools compensation amount/Allocation d'utilisation communautaire des écoles
Table/Tableau 12	Percentage of total area of elementary and secondary schools less than 20 years old or 20 years or older/Pourcentage de la superficie totale des écoles élémentaires et secondaires qui datent de moins de 20 ans ou de 20 ans ou plus
Table/Tableau 13	School renewal enhancement amount/Augmentation au titre de la réfection des écoles
Table/Tableau 14	Geographic adjustment factors/Facteurs de redressement géographique
Table/Tableau 15	Good places to learn – stage 1 allocations/Lieux propices à l'apprentissage – première phase d'allocations
Table/Tableau 16	Outstanding capital commitments/Engagements d'immobilisations non réalisés
Table/Tableau 17	Capital related debt eligible for funding support by district school board/Dette liée aux immobilisations admissible à un soutien financier, par conseil scolaire de district
Table/Tableau 18	Per pupil exclusion for declining enrolment adjustment/Montant par élève à exclure du redressement pour baisse des effectifs
Table/Tableau 19	Classroom expenditure percentages/Pourcentages des dépenses liées aux classes
Table/Tableau 20	Rural schools/Écoles rurales

## PARTIE I DISPOSITIONS GÉNÉRALES

### Application et interprétation

1. (1) Le présent règlement s'applique aux conseils pour l'exercice 2005-2006 et aux administrations responsables en ce qui a trait aux paiements visant la période allant du 1<sup>er</sup> septembre 2005 au 31 août 2006.

(2) Les définitions qui suivent s'appliquent au présent règlement.

«AAS» Allocation d'aide spécialisée. («ISA»)

«ALF» Actualisation linguistique en français. («ALF»)

«conseil créé en vertu de l'article 68» Conseil créé en vertu de l'article 68 de la Loi. («section 68 board»)

«conseil isolé» Administration scolaire, à l'exclusion d'un conseil créé en vertu de l'article 68. («isolate board»)

«cours d'études personnelles» S'entend au sens du règlement sur l'effectif quotidien moyen de 2005-2006. («independent study course»)

«école élémentaire rurale» À l'égard d'un conseil, école élémentaire figurant à la colonne 3 du tableau 20 en regard du nom du conseil à la colonne 1 de ce tableau et dont l'effectif de 2005-2006, au sens du paragraphe 36 (45), est supérieur à zéro. («rural elementary school»)

«école secondaire rurale» À l'égard d'un conseil, école secondaire figurant à la colonne 4 du tableau 20 en regard du nom du conseil à la colonne 1 de ce tableau et dont l'effectif de 2005-2006, au sens du paragraphe 36 (45), est supérieur à zéro. («rural secondary school»)

«élève à mi-temps» S'entend au sens du règlement sur l'effectif quotidien moyen de 2005-2006. («half-time pupil»)

«élève à temps partiel» S'entend au sens du règlement sur l'effectif quotidien moyen de 2005-2006. («part-time pupil»)

«élève à temps plein» S'entend au sens du règlement sur l'effectif quotidien moyen de 2005-2006. («full-time pupil»)

«élève de l'élémentaire» Élève inscrit à la maternelle, au jardin d'enfants ou à l'une des huit premières années d'études. («elementary school pupil»)

«élève du secondaire» Élève inscrit à la neuvième, dixième, onzième ou douzième année d'études. («secondary school pupil»)

«ESD» English skills development. («ESD»)

«ESL» English as a second language. («ESL»)

«exercice 2005-2006» L'exercice qui commence le 1<sup>er</sup> septembre 2005 et qui se termine le 31 août 2006. («2005-2006 fiscal year»)

«horaire» S'entend au sens du règlement sur l'effectif quotidien moyen de 2005-2006. («cycle»)

«immobilisation» S'entend de ce qui suit :

- a) l'emplacement scolaire qui offre ou est capable d'offrir des installations d'accueil pour les élèves et son agrandissement et l'amélioration qui y est apportée;
- b) le bâtiment scolaire, un accessoire fixe d'un bâtiment scolaire ou un accessoire fixe d'un bien scolaire, ainsi que son agrandissement, sa transformation, sa rénovation ou les réparations importantes qui y sont apportées;
- c) les meubles et le matériel qui doivent servir dans les bâtiments scolaires;
- d) les documents de bibliothèque nécessaires à la dotation initiale d'une bibliothèque en matériel dans un bâtiment scolaire;

e) les installations situées sur un bien scolaire et servant à fournir à un bâtiment scolaire situé sur ce bien des services d'alimentation en eau, en électricité ou en gaz naturel, d'égouts, de fosses septiques, de chauffage, de climatisation, de téléphone ou de câblodistribution, ainsi que leur transformation, leur remplacement ou les réparations importantes qui y sont apportées;

f) la modification du niveau, du drainage ou de la surface des biens scolaires. («capital asset»)

«PDF» Perfectionnement du français. («PDF»)

«recettes provenant d'autres sources» Relativement à un conseil scolaire de district, s'entend des recettes du conseil autres que les suivantes :

- a) les subventions payables au conseil en application du présent règlement;
- b) la somme qui correspondrait aux recettes fiscales de 2005-2006 du conseil si aucune somme ne devait être déduite en application de la disposition 3 ou 4 du paragraphe 12 (1);
- c) les sommes transférées d'un fonds de réserve. («revenue from other sources»)

«règlement sur l'effectif quotidien moyen de 2005-2006» Le Règlement de l'Ontario 398/05. («2005-2006 A.D.E. regulation»)

«règlement sur les droits de 2005-2006» Le Règlement de l'Ontario 399/05. («2005-2006 fees regulation»)

«règlement sur les subventions de 2003-2004» Le Règlement de l'Ontario 139/03 («Financement axé sur les besoins des élèves — subventions générales pour l'exercice 2003-2004 des conseils scolaires») pris en application de la Loi. («2003-2004 grant regulation»)

«règlement sur les subventions de 2004-2005» Le Règlement de l'Ontario 145/04 («Subventions pour les besoins des élèves — subventions générales pour l'exercice 2004-2005 des conseils scolaires») pris en application de la Loi. («2004-2005 grant regulation»)

(3) Le public peut consulter la publication intitulée «Lignes directrices sur le financement de l'éducation de l'enfance en difficulté : Allocation d'aide spécialisée (AAS) de niveau 1 et AAS pour cas spéciaux — 2004-2005» et datée de juin 2004 qui est mentionnée aux alinéas 17 (1) a), 19 (1) a) et 47 (2) a) aux bureaux de la Direction du financement de l'éducation du ministère de l'Éducation à l'Édifice Mowat, 21<sup>e</sup> étage, 900, rue Bay, Toronto (Ontario) M7A 1L2 et sur le site Web du ministère, à l'adresse [www.edu.gov.on.ca](http://www.edu.gov.on.ca).

#### Élève d'un conseil

2. (1) Sous réserve des paragraphes (2) et (3), pour l'application du présent règlement, un élève est un élève d'un conseil s'il est inscrit à une école qui relève du conseil.

(2) L'élève qui reçoit un enseignement dans un programme d'enseignement dispensé par un conseil qui est un programme d'enseignement admissible au sens du paragraphe 20 (2) n'est pas un élève inscrit à une école qui relève du conseil pour l'application du paragraphe (1).

(3) Pour l'application du présent règlement, les élèves suivants ne sont pas des élèves d'un conseil même s'ils sont inscrits à une école du conseil :

1. Les élèves qui sont des Indiens inscrits résidant dans une réserve au sens de la *Loi sur les Indiens* (Canada).
2. Les élèves qui sont tenus de verser les droits précisés au paragraphe 49 (6) de la Loi.
3. Les élèves à l'égard desquels le conseil peut imposer des droits en vertu de l'article 5 du règlement sur les droits de 2005-2006.

#### Effectif

3. (1) Pour l'application du présent règlement, l'effectif quotidien moyen de jour des élèves d'un conseil pour 2005-2006 correspond à l'effectif quotidien moyen de jour du conseil calculé conformément à l'article 2 du règlement sur l'effectif quotidien moyen de 2005-2006, en comptant tous les élèves du conseil qui ne sont pas des élèves du secondaire âgés de 21 ans ou plus le 31 décembre 2005.

(2) Pour l'application du présent règlement, l'effectif quotidien moyen de jour des élèves de l'élémentaire d'un conseil pour 2005-2006 correspond à l'effectif quotidien moyen de jour du conseil calculé conformément à l'article 2 du règlement sur l'effectif quotidien moyen de 2005-2006, en ne comptant que les élèves de l'élémentaire du conseil.

(3) Pour l'application du présent règlement, l'effectif quotidien moyen de jour des élèves du secondaire d'un conseil pour 2005-2006 correspond à l'effectif quotidien moyen de jour du conseil calculé conformément à l'article 2 du règlement sur l'effectif quotidien moyen de 2005-2006, en ne comptant que les élèves du secondaire du conseil qui sont âgés de moins de 21 ans le 31 décembre 2005.

(4) Pour l'application du présent règlement, l'effectif de jour à temps plein ou l'équivalent d'un conseil au 31 octobre 2005 est calculé selon la formule suivante :

## A + B + C/D

où :

- «A» représente le nombre d'élèves à temps plein du conseil inscrits le 31 octobre 2005, à l'exclusion des élèves du secondaire qui sont âgés d'au moins 21 ans le 31 décembre 2005;
- «B» représente 0,5 fois le nombre d'élèves à mi-temps du conseil inscrits le 31 octobre 2005;
- «C» représente le total de tous les nombres dont chacun est calculé pour chaque élève à temps partiel du conseil inscrit le 31 octobre 2005, à l'exclusion de l'élève du secondaire qui est âgé d'au moins 21 ans le 31 décembre 2005, et correspond au nombre de minutes pour lesquelles il est inscrit en vue de recevoir un enseignement en classe pendant l'horaire qui inclut le 31 octobre 2005, à un cours autre qu'un cours d'études personnelles;
- «D» représente le produit du nombre de jours que compte l'horaire visé à la définition de «C» par 300.

(5) Si le présent règlement exige que les élèves soient dénombrés, mais qu'il ne prévoit pas que le dénombrement soit effectué en fonction de l'effectif quotidien moyen ou de l'effectif à temps plein ou l'équivalent, chaque élève, qu'il soit à temps plein, à mi-temps ou à temps partiel, compte pour un élève.

#### Niveau d'exactitude

4. (1) Le dénombrement des élèves qui est effectué pour l'application du présent règlement en fonction de l'effectif quotidien moyen ou de l'effectif à temps plein ou l'équivalent se fait à deux décimales près.

(2) Le dénombrement des enseignants ou des aides-enseignants qui est effectué pour l'application du présent règlement en fonction de l'équivalence à temps plein se fait à une décimale près.

#### Subventions générales

5. (1) La subvention générale payable pour l'exercice à un conseil scolaire de district correspond à la somme calculée en application de la partie II.

(2) La subvention générale payable pour l'exercice à un conseil isolé correspond à la somme calculée en application de l'article 46.

(3) La subvention générale payable pour l'exercice à un conseil créé en vertu de l'article 68 correspond à la somme calculée en application de l'article 47.

#### Versements

6. Les subventions générales payables en application du présent règlement se fondent sur des estimations pendant l'exercice. Les redressements éventuels nécessaires sont effectués lorsque les données, notamment les données financières et l'effectif réels, sont connues.

#### Conditions du versement des subventions

7. (1) L'obligation pour les conseils de se conformer aux lois dont l'application relève du ministre et aux textes pris en application de telles lois, notamment des règlements, des politiques, des lignes directrices ou des directives, est une condition du versement des subventions prévues par le présent règlement.

(2) Si le conseil contrevient à une loi dont l'application relève du ministre ou à un texte pris en application d'une telle loi, notamment un règlement, une politique, une ligne directrice ou une directive, le ministre peut retenir tout ou partie de la subvention qui lui est payable par ailleurs en application de la Loi.

#### Redressement du trop-payé

8. Si un conseil a reçu une somme supérieure à celle qui lui était payable en application d'un règlement sur les subventions générales, le trop-payé, s'il n'a pas été déduit des subventions qui lui sont payables en application d'autres règlements sur les subventions générales, est déduit de celles qui lui sont payables en application du présent règlement.

#### Redressement du moins-payé

9. Si un conseil a reçu une somme inférieure à celle qui lui était payable en application d'un règlement sur les subventions générales, le moins-payé qui reste impayé est ajouté aux subventions qui lui sont payables en application du présent règlement.

## PARTIE II SUBVENTIONS EN FAVEUR DES CONSEILS SCOLAIRES DE DISTRICT

#### Éléments de la subvention

10. Un conseil scolaire de district a droit aux éléments suivants, selon les montants calculés en application de la présente partie, lors du calcul de la subvention qui lui est payable pour l'exercice :

1. Éducation de base.
2. Effectif des classes du cycle primaire.
3. Éducation de l'enfance en difficulté.
4. Enseignement des langues.
5. Écoles rurales et écoles éloignées.
6. Conseils ruraux et éloignés.
7. Programmes d'aide à l'apprentissage.
8. Éducation permanente et autres programmes.
9. Redressement des coûts et compétence et expérience des enseignants.
10. Transport des élèves.
11. Administration et gestion.
12. Installations d'accueil pour les élèves.
13. Service de la dette.

**Montant de la subvention**

**11.** La subvention payable à un conseil scolaire de district pour l'exercice correspond à la somme calculée selon la formule suivante :

$$(A + B) - (C + D + E)$$

où :

- «A» représente le montant total des éléments auxquels le conseil a droit pour l'exercice;
- «B» représente le redressement pour baisse des effectifs du conseil pour l'exercice;
- «C» représente les recettes fiscales de 2005-2006 du conseil, calculées en application du présent règlement;
- «D» représente le total des droits que le conseil reçoit pour l'exercice à l'égard d'élèves visés au paragraphe 46 (2) de la Loi, calculés en application de l'article 4 du règlement sur les droits de 2005-2006;
- «E» représente la somme visée au paragraphe 233 (1) de la Loi qui se trouve dans le fonds de réserve du conseil le 31 août 2006 avant le virement prévu au paragraphe 233 (2) de la Loi.

**Recettes fiscales de 2005-2006**

**12.** (1) Les recettes fiscales de 2005-2006 d'un conseil scolaire de district sont calculées de la manière suivante :

1. Additionner ce qui suit :
  - i. 38 pour cent de la somme de ce qui suit :
    - A. le total des sommes remises au conseil à l'égard de l'année civile 2005 en application des paragraphes 237 (12) et 238 (2), de l'article 239, du paragraphe 240 (5), des articles 250 et 251 et des paragraphes 257.8 (2) et 257.9 (1) de la *Loi sur l'éducation*, des articles 447.20 et 447.52 de la *Loi sur les municipalités*, tels qu'ils s'appliquent par l'effet de l'article 474 de la *Loi de 2001 sur les municipalités*, des paragraphes 364 (22) et 365.2 (16) de la *Loi de 2001 sur les municipalités*, de l'article 10 du Règlement de l'Ontario 509/98 intitulé «Tax Matters — Relief in Unorganized Territory (Section 257.2.1 of the Act)» pris en application de la Loi et du paragraphe 13 (2) du Règlement de l'Ontario 3/02 intitulé «Tax Relief in Unorganized Territory for 2001 and Subsequent Years» pris en application de la Loi,
    - B. les sommes éventuelles visées au paragraphe 364 (22) de la *Loi de 2001 sur les municipalités*, tel qu'il s'applique par l'effet de l'article 257.12.3 de la *Loi sur l'éducation*, qui sont versées au conseil à l'égard de l'année civile 2005,
    - C. le total de toutes les sommes éventuelles que le conseil a reçues d'une municipalité à l'égard de l'année civile 2005 en application du paragraphe 353 (4) ou 366 (3) de la *Loi de 2001 sur les municipalités*,
    - D. les sommes éventuelles que le conseil affecte au paiement du coût d'annulation de biens-fonds vendus pour arriérés d'impôts pendant l'année civile 2005, en application de l'article 380 de la *Loi de 2001 sur les municipalités*, tel qu'il s'applique par l'effet du paragraphe 371 (2) de cette loi,

- E. les paiements tenant lieu d'impôts remis au conseil à l'égard de l'année civile 2005 en vertu du paragraphe 322 (1) de la *Loi de 2001 sur les municipalités*,
  - F. les subventions éventuelles versées au conseil à l'égard de l'année civile 2005 en vertu du paragraphe 302 (2) de la *Loi de 2001 sur les municipalités*,
  - G. les sommes éventuelles que le conseil reçoit à l'égard de l'année civile 2005 en vertu de la *Loi sur les paiements versés en remplacement d'impôts* (Canada) ou en vertu de toute loi du Canada qui autorise un gouvernement ou un organisme gouvernemental à effectuer un paiement tenant lieu d'impôts sur des biens immeubles,
  - H. les sommes éventuelles versées au conseil à l'égard de l'année civile 2005 en vertu du paragraphe 9 (2) ou (4) de la *Loi de 2002 sur les zones d'allégement fiscal (projets pilotes)*,
- ii. 62 pour cent de la somme de ce qui suit :
- A. le total des sommes remises au conseil à l'égard de l'année civile 2006 en application des paragraphes 237 (12) et 238 (2), de l'article 239, du paragraphe 240 (5), des articles 250 et 251 et des paragraphes 257.8 (2) et 257.9 (1) de la *Loi sur l'éducation*, des articles 447.20 et 447.52 de la *Loi sur les municipalités*, tels qu'ils s'appliquent par l'effet de l'article 474 de la *Loi de 2001 sur les municipalités*, des paragraphes 364 (22) et 365.2 (16) de la *Loi de 2001 sur les municipalités*, de l'article 10 du Règlement de l'Ontario 509/98 intitulé «Tax Matters — Relief in Unorganized Territory (Section 257.2.1 of the Act)» pris en application de la Loi et du paragraphe 13 (2) du Règlement de l'Ontario 3/02 intitulé «Tax Relief in Unorganized Territory for 2001 and Subsequent Years» pris en application de la Loi,
  - B. les sommes éventuelles visées au paragraphe 364 (22) de la *Loi de 2001 sur les municipalités*, tel qu'il s'applique par l'effet de l'article 257.12.3 de la *Loi sur l'éducation*, qui sont versées au conseil à l'égard de l'année civile 2006,
  - C. le total de toutes les sommes éventuelles qu'une municipalité verse au conseil à l'égard de l'année civile 2006 en application du paragraphe 353 (4) ou 366 (3) de la *Loi de 2001 sur les municipalités*,
  - D. les sommes éventuelles que le conseil affecte au paiement du coût d'annulation de biens-fonds vendus pour arriérés d'impôts pendant l'année civile 2006, en application de l'article 380 de la *Loi de 2001 sur les municipalités*, tel qu'il s'applique par l'effet du paragraphe 371 (2) de cette loi,
  - E. les paiements tenant lieu d'impôts remis au conseil à l'égard de l'année civile 2006 en vertu du paragraphe 322 (1) de la *Loi de 2001 sur les municipalités*,
  - F. les subventions éventuelles versées au conseil à l'égard de l'année civile 2006 en vertu du paragraphe 302 (2) de la *Loi de 2001 sur les municipalités*,
  - G. les sommes éventuelles que le conseil reçoit à l'égard de l'année civile 2006 en vertu de la *Loi sur les paiements versés en remplacement d'impôts* (Canada) ou en vertu de toute loi du Canada qui autorise un gouvernement ou un organisme gouvernemental à effectuer un paiement tenant lieu d'impôts sur des biens immeubles,
  - H. les sommes éventuelles versées au conseil à l'égard de l'année civile 2006 en vertu du paragraphe 9 (2) ou (4) de la *Loi de 2002 sur les zones d'allégement fiscal (projets pilotes)*,
- iii. le total des impôts que le conseil reçoit à l'égard de l'année civile 2005 en application de l'article 35 de la *Loi sur l'évaluation foncière*,
- iv. le total des sommes éventuelles remises au conseil au cours de l'exercice en application du paragraphe 2 (2) du Règlement de l'Ontario 365/98 («Arriérés d'impôts scolaires d'avant 1998») pris en application de la Loi,
- v. le total des sommes éventuelles versées au conseil au cours de l'exercice en application de l'alinéa 3 (1) a) du Règlement de l'Ontario 366/98 («Arriérés d'impôts dans les secteurs annexés») pris en application de la Loi.
2. Calculer la différence entre les sommes suivantes et la déduire si la somme visée à la sous-disposition i est inférieure à celle visée à la sous-disposition ii ou l'ajouter si elle lui est supérieure :
- i. La somme calculée en application de la sous-disposition 1 ii du paragraphe 12 (1) du règlement sur les subventions de 2004-2005 aux fins du calcul de la somme payable au conseil à titre de subvention générale à l'égard de l'exercice 2004-2005.
  - ii. La somme qui aurait été calculée en application de la sous-disposition 1 ii du paragraphe 12 (1) du règlement sur les subventions de 2004-2005 si elle avait été calculée en se fondant sur les états financiers annuels du conseil tels qu'ils ont été présentés au ministère pour l'exercice 2004-2005.

3. Si le conseil est tenu de prélever des impôts scolaires à l'égard de biens situés dans un territoire non érigé en municipalité, déduire la somme de ce qui suit :
    - i. 50 000 \$,
    - ii. 0,76 pour cent du total des impôts prélevés aux fins scolaires pour l'année civile 2005 et de ceux que le conseil a prélevés pour cette année-là en application de l'article 21.1 de la *Loi sur l'impôt foncier provincial*,
    - iii. 1,24 pour cent du total des impôts visés à la sous-disposition ii que le conseil prélève pour l'année civile 2006.
  4. Déduire les frais dont le conseil est redevable en application de la *Loi de 1996 sur les élections municipales* et qu'il engage pendant l'exercice pour tenir l'élection de membres dans un territoire non érigé en municipalité qui est réputé une municipalité de district pour l'application de l'alinéa 257.12 (3) a) de la *Loi sur l'éducation*.
  5. Déduire les sommes qu'un conseil municipal a exigées du conseil pendant l'année civile 2005 en application de l'article 353 de la *Loi de 2001 sur les municipalités*, y compris les sommes exigées en application de cet article par suite d'une loi d'intérêt privé.
  6. Déduire le total des sommes que le conseil remet, paie ou porte au crédit de quelqu'un en application des articles 257.2.1 et 257.12.3 de la Loi pendant l'exercice.
  7. Déduire 38 pour cent du total des sommes éventuelles que le conseil verse à l'égard de l'année civile 2005 en application des paragraphes 361 (7), 364 (11), 365 (3), 365.1 (13) à (15) et (17) à (19) et 365.2 (8) de la *Loi de 2001 sur les municipalités*.
  8. Déduire 62 pour cent du total des sommes éventuelles que le conseil verse à l'égard de l'année civile 2006 en application des paragraphes 361 (7), 364 (11), 365 (3), 365.1 (13) à (15) et (17) à (19) et 365.2 (8) de la *Loi de 2001 sur les municipalités*.
- (2) Les règles suivantes s'appliquent au calcul des recettes fiscales de 2005-2006 d'un conseil scolaire de district :
1. Les sommes éventuelles que le ministre verse au conseil à l'égard de l'année civile 2005 en application de l'article 257.10.1 ou 257.11 de la Loi sont réputées des sommes remises au conseil à l'égard de l'année civile 2005 en application d'une disposition de la Loi visée à la sous-sous-disposition 1 i A du paragraphe (1).
  2. Les sommes éventuelles que le ministre verse au conseil à l'égard de l'année civile 2006 en application de l'article 257.10.1 ou 257.11 de la Loi sont réputées des sommes remises au conseil à l'égard de l'année civile 2006 en application d'une disposition de la Loi visée à la sous-sous-disposition 1 ii A du paragraphe (1).

#### Élément éducation de base

13. (1) L'élément éducation de base d'un conseil scolaire de district pour l'exercice est calculé en additionnant la somme de base du conseil pour l'exercice et la somme liée aux priorités locales du conseil pour l'exercice.

(2) La somme de base du conseil pour l'exercice correspond au total des sommes suivantes :

1. La somme calculée en multipliant par 3 866 \$ l'effectif quotidien moyen de jour des élèves de l'élémentaire du conseil pour 2005-2006.
2. La somme calculée en multipliant par 4 921 \$ l'effectif quotidien moyen de jour des élèves du secondaire du conseil pour 2005-2006.

(3) La somme liée aux priorités locales du conseil correspond à la somme calculée en multipliant par 200 \$ l'effectif quotidien moyen de jour de ses élèves pour 2005-2006.

#### Élément effectif des classes du cycle primaire

14. L'élément effectif des classes du cycle primaire d'un conseil scolaire de district pour l'exercice est calculé en multipliant 340 \$ par l'effectif quotidien moyen de jour des élèves de l'élémentaire du conseil pour 2005-2006, en ne comptant que les élèves inscrits à la maternelle, au jardin d'enfants et aux première, deuxième et troisième années.

#### Élément éducation de l'enfance en difficulté

15. L'élément éducation de l'enfance en difficulté d'un conseil scolaire de district pour l'exercice correspond au total des sommes suivantes :

1. La somme liée à l'éducation de l'enfance en difficulté fondée sur l'effectif qui est versée au conseil pour l'exercice, calculée en application de l'article 16.
2. La demande de matériel spécialisé du conseil pour l'exercice, calculée en application du paragraphe 17 (2).
3. La somme liée aux besoins élevés qui est versée au conseil pour l'exercice, calculée en application de l'article 18.
4. La demande pour cas spéciaux du conseil pour l'exercice, calculée en application du paragraphe 19 (2).
5. La somme liée aux établissements qui est versée au conseil pour l'exercice, calculée en application de l'article 20.

**Somme liée à l'éducation de l'enfance en difficulté fondée sur l'effectif**

16. La somme liée à l'éducation de l'enfance en difficulté fondée sur l'effectif qui est versée à un conseil pour l'exercice est calculée de la manière suivante :

1. Multiplier par 608 \$ l'effectif quotidien moyen de jour des élèves de l'élémentaire du conseil pour 2005-2006, en ne comptant que les élèves inscrits à la maternelle, au jardin d'enfants et aux première, deuxième et troisième années, pour obtenir la somme liée à l'éducation de l'enfance en difficulté fondée sur l'effectif pour ces élèves.
2. Multiplier par 459 \$ l'effectif quotidien moyen de jour des élèves de l'élémentaire du conseil pour 2005-2006, en ne comptant que les élèves inscrits aux quatrième, cinquième, sixième, septième et huitième années, pour obtenir la somme liée à l'éducation de l'enfance en difficulté fondée sur l'effectif pour ces élèves.
3. Multiplier par 296 \$ l'effectif quotidien moyen de jour des élèves du secondaire du conseil pour 2005-2006 pour obtenir la somme liée à l'éducation de l'enfance en difficulté fondée sur l'effectif pour ces élèves.
4. Additionner les produits obtenus en application des dispositions 1, 2 et 3 pour obtenir la somme liée à l'éducation de l'enfance en difficulté fondée sur l'effectif qui est versée au conseil pour l'exercice.

**Matériel spécialisé**

17. (1) Pour l'application du paragraphe (2), une demande de matériel spécialisé visant un élève d'un conseil scolaire de district est approuvée si les conditions suivantes sont réunies :

- a) l'élève satisfait aux critères d'admissibilité concernant le matériel spécialisé qui sont précisés dans la publication intitulée «Lignes directrices sur le financement de l'éducation de l'enfance en difficulté : Allocation d'aide spécialisée (AAS) de niveau 1 et AAS pour cas spéciaux — 2004-2005» et datée de juin 2004;
- b) le conseil a présenté une demande pour l'exercice à l'égard des dépenses en matériel spécialisé destiné à l'élève qui dépassent 800 \$, conformément à la publication visée à l'alinéa a), et le ministre a approuvé la demande.

(2) La demande de matériel spécialisé d'un conseil pour l'exercice correspond au total de toutes les demandes de matériel spécialisé approuvées à l'égard des élèves du conseil, après les redressements exigés en application de l'article 21.

**Somme liée aux besoins élevés**

18. La somme liée aux besoins élevés qui est versée à un conseil est calculée de la manière suivante :

1. Prendre le total des sommes calculées à l'égard du conseil en application des paragraphes 17 (2) et 18 (2) du règlement sur les subventions de 2003-2004.
2. Soustraire la plus élevée des sommes suivantes :
  - i. La somme calculée selon la formule suivante :

$$A - (0,02 \times B)$$

où :

«A» représente la somme qui figurait dans le fonds de réserve pour l'éducation de l'enfance en difficulté du conseil le 31 août 2005;

«B» représente la somme calculée en application de la disposition 1.

ii. Zéro.

3. Ajouter la somme calculée de la manière suivante :

- i. Prendre le nombre d'élèves qui étaient inscrits à une école qui relève du conseil le 31 octobre 2005, mais non le 31 octobre 2003, et qui, de l'avis du ministre, satisfont à l'un des critères suivants :
  - A. Chaque élève était inscrit à une classe où au moins un adulte était affecté pour quatre élèves si l'adulte était employé dans le cadre de programmes d'enseignement à l'enfance en difficulté en qualité d'enseignant, d'aide-enseignant, de professionnel ou de paraprofessionnel au sens de l'annexe H des prévisions budgétaires de 2004-2005 des conseils scolaires de district, datées du 26 mai 2004.
  - B. L'équivalent d'au moins un aide-enseignant, un professionnel ou un paraprofessionnel à temps plein, au sens de l'annexe H des prévisions budgétaires de 2004-2005 des conseils scolaires de district, datées du 26 mai 2004, était affecté à chaque élève pendant, en moyenne, au moins la moitié de chaque journée d'enseignement de l'année scolaire 2005-2006.
- ii. Soustraire le nombre d'élèves qui satisfont aux deux critères suivants :
  - A. Il s'agit d'un élève à l'égard duquel une demande d'AAS de niveau 2 ou de niveau 3 a été approuvée au sens des paragraphes 17 (1) et 18 (1), respectivement, du règlement sur les subventions de 2003-2004.

- B. L'élève n'est pas inscrit à une école du conseil le 31 octobre 2005.
- iii. Multiplier le nombre obtenu en application de la sous-disposition ii par 17 000 \$.
- iv. Faire le total des sommes calculées en application de la sous-disposition iii pour tous les conseils.
- v. Si la somme calculée en application de la sous-disposition iv est égale ou inférieure à 40 millions de dollars, prendre la somme calculée en application de la sous-disposition iii. Si la somme calculée en application de la sous-disposition iv est supérieure à 40 millions de dollars, prendre la somme calculée de la manière suivante :
  - A. multiplier la somme calculée en application de la sous-disposition iii par 40 millions de dollars,
  - B. diviser la somme calculée en application de la sous-sous-disposition A par la somme calculée en application de la sous-disposition iv.

#### Cas spéciaux

19. (1) Une demande pour cas spéciaux visant un élève d'un conseil est approuvée si les conditions suivantes sont réunies :

- a) le conseil a désigné l'élève comme élève exigeant une aide financière pour cas spéciaux, conformément à la publication du ministère intitulée «Lignes directrices sur le financement de l'éducation de l'enfance en difficulté : Allocation d'aide spécialisée (AAS) de niveau 1 et AAS pour cas spéciaux — 2004-2005» et datée de juin 2004, et le ministre a approuvé la désignation;
- b) le conseil a présenté à l'égard de l'élève pour l'exercice une demande pour cas spéciaux qui n'est pas supérieure à 27 000 \$, conformément à la publication visée à l'alinéa a), et le ministre a approuvé la demande.

(2) La demande pour cas spéciaux d'un conseil pour l'exercice correspond au total de toutes les demandes d'AAS pour cas spéciaux approuvées à l'égard des élèves du conseil, après les redressements exigés en application de l'article 21.

#### Somme liée aux établissements

20. (1) La somme liée aux établissements qui est versée à un conseil pour l'exercice est calculée de la manière suivante :

- 1. Calculer, conformément au paragraphe (5), la somme liée à chaque programme d'enseignement admissible que dispense le conseil en vertu d'une entente conclue avec un établissement visé au paragraphe (4).
- 2. Additionner les sommes calculées en application de la disposition 1.

(2) Un programme d'enseignement que dispense le conseil en vertu d'une entente conclue avec un établissement visé au paragraphe (4) est admissible pour l'application du présent article si les conditions suivantes sont réunies :

- 1. Le programme est dispensé par un enseignant qu'emploie le conseil.
- 2. La province n'offre aucun programme de ce genre dans l'établissement.
- 3. Le conseil a conclu une entente écrite avec l'établissement et le ministre l'a approuvée pour le motif qu'elle satisfait aux exigences du paragraphe (3).

(3) Les exigences visées à la disposition 3 du paragraphe (2) auxquelles doit satisfaire l'entente écrite sont les suivantes :

- 1. L'entente contient un plan de dotation qui indique le nombre d'enseignants et d'aides-enseignants que doit employer le conseil aux fins du programme.
- 2. L'entente précise adéquatement les responsabilités du conseil et de l'établissement.
- 3. L'entente indique le nombre de places dans le programme.

(4) Les établissements suivants sont des établissements pour l'application du présent article :

- 1. Les établissements psychiatriques.
- 2. Les établissements de bienfaisance agréés au sens de la *Loi sur les établissements de bienfaisance*.
- 3. Les agences agréées en vertu du paragraphe 8 (1) de la *Loi sur les services à l'enfance et à la famille*.
- 4. Les établissements désignés en vertu de la *Loi sur les services aux personnes ayant une déficience intellectuelle*.
- 5. Les lieux de détention provisoire, de garde en milieu ouvert ou de garde en milieu fermé maintenus ou mis sur pied en vertu de l'article 89 de la *Loi sur les services à l'enfance et à la famille*.
- 6. Les foyers de soins spéciaux titulaires d'un permis en vertu de la *Loi sur les foyers de soins spéciaux*.
- 7. Les hôpitaux approuvés par le ministre.
- 8. Les maisons de soins infirmiers exploitées en application d'un permis délivré en vertu de la *Loi sur les maisons de soins infirmiers*.



9. Les établissements correctionnels au sens de la *Loi sur le ministère des Services correctionnels*.
10. Les lieux de détention provisoire et les lieux de garde au sens de la *Loi sur le système de justice pénale pour les adolescents* (Canada).
- (5) Sous réserve des paragraphes (6) et (7), la somme liée à un programme d'enseignement admissible est calculée de la manière suivante :
1. Prendre le moindre de ce qui suit :
    - i. les dépenses que le conseil a engagées au cours de l'exercice au titre des salaires et des avantages sociaux des enseignants qu'il emploie pour dispenser le programme,
    - ii. la somme que le conseil pourrait engager au cours de l'exercice au titre des salaires et des avantages sociaux des enseignants qu'il emploie pour dispenser le programme dans le cadre du plan de dotation visé à la disposition 1 du paragraphe (3).
  2. Multiplier par 2 601 \$ le nombre d'enseignants à temps plein ou l'équivalent que le conseil emploie pour dispenser le programme. Pour l'application de la présente disposition, le dénombrement se fait selon les méthodes qu'il utilise habituellement aux fins de la dotation.
  3. Prendre le moindre de ce qui suit :
    - i. les dépenses que le conseil a engagées au cours de l'exercice au titre des salaires et des avantages sociaux des aides-enseignants qu'il emploie pour aider les enseignants à dispenser le programme,
    - ii. la somme que le conseil pourrait engager au cours de l'exercice au titre des salaires et des avantages sociaux des aides-enseignants qu'il emploie dans le cadre du plan de dotation visé à la disposition 1 du paragraphe (3).
  4. Multiplier par 1 270 \$ le nombre d'aides-enseignants à temps plein ou l'équivalent que le conseil emploie pour aider les enseignants à dispenser le programme. Pour l'application de la présente disposition, le dénombrement se fait selon les méthodes qu'il utilise habituellement aux fins de la dotation.
  5. Calculer les dépenses que le conseil a engagées au cours de l'exercice pour acheter des meubles ou du matériel pour les salles de classe utilisées dans le cadre du programme. Sauf approbation du ministre, le total de la somme calculée pour une salle de classe en application de la présente disposition et du total de toutes les sommes reçues à l'égard de cette classe en application de dispositions semblables de règlements antérieurs sur les subventions législatives ne doit pas dépasser 3 437 \$.
  6. Additionner les sommes calculées en application des dispositions 1 à 5.

(6) Malgré le paragraphe (5), si le programme que remplace un programme d'enseignement admissible dispensé par le conseil était un programme d'enseignement dispensé par le ministre dans l'établissement, la somme calculée par ailleurs en application du présent article au titre du programme d'enseignement admissible peut être augmentée de la somme que le ministre estime appropriée compte tenu des coûts raisonnables que doit engager le conseil en ce qui concerne les dépenses rattachées au programme qui étaient engagées auparavant par le ministre et qui ne sont pas mentionnées au paragraphe (5).

(7) Malgré les paragraphes (5) et (6), la somme calculée par ailleurs en application du présent article pour un programme d'enseignement admissible est réduite de la somme que le ministre estime indiquée compte tenu des frais raisonnables que le conseil engage à l'égard du programme si celui-ci, selon le cas :

- a) a une envergure moins grande que ne le prévoit la documentation que le conseil soumet à l'examen du ministre pour l'application de la disposition 3 du paragraphe (2);
- b) n'est pas dispensé pendant l'année scolaire 2005-2006;
- c) cesse d'être dispensé pendant l'année scolaire 2005-2006.

#### **Éducation de l'enfance en difficulté, déménagement à un nouveau conseil**

**21.** (1) Le paragraphe (2) s'applique dans l'un ou l'autre des cas suivants :

- a) du matériel spécialisé a été acheté, au moyen d'une demande de matériel spécialisé approuvée pour un conseil scolaire de district pour l'exercice ou au moyen d'une demande d'AAS de niveau 1 approuvée pour un conseil scolaire de district en application de l'article 17 du règlement sur les subventions de 2004-2005 ou d'un article que celui-ci remplace dans le règlement sur les subventions d'un exercice antérieur, à l'égard d'un élève qui s'inscrit, pendant l'exercice, à une école qui relève d'un conseil scolaire de district différent ou d'un conseil créé en vertu de l'article 68;
- b) un conseil créé en vertu de l'article 68 a engagé des dépenses pour acheter du matériel spécialisé à l'égard d'un élève d'un conseil scolaire de district qui s'inscrit, pendant l'exercice, à une école qui relève d'un conseil scolaire de district différent.

(2) Le matériel spécialisé visé au paragraphe (1) suit l'élève au nouveau conseil, sauf si ce dernier est d'avis qu'il n'est pas pratique de le déménager.

(3) Le paragraphe (4) s'applique si une demande de matériel spécialisé a été approuvée pour un conseil scolaire de district à l'égard d'un élève qui s'inscrit, pendant l'exercice, à une école qui relève d'un conseil scolaire de district différent.

(4) Toute fraction non dépensée de la demande de matériel spécialisé approuvée à l'égard de l'élève est déduite de la somme calculée en application du paragraphe 17 (2) pour l'ancien conseil et est ajoutée à la somme calculée en application du même paragraphe pour le nouveau conseil.

(5) Le paragraphe (6) s'applique si l'élève réunit les conditions suivantes :

- a) il était un élève approuvé à l'égard d'une aide financière pour cas spéciaux pour un conseil scolaire de district;
- b) il s'inscrit à une école qui relève d'un conseil scolaire de district différent après la fin de l'année scolaire 2004-2005.

(6) La somme totale liée aux demandes pour cas spéciaux approuvées pour les élèves du conseil visé à l'alinéa (5) a) est réduite dans la proportion éventuelle que le ministre estime indiquée compte tenu des frais que chaque conseil engage pendant l'exercice relativement au programme d'enseignement à l'enfance en difficulté dispensé à l'élève, et la somme liée aux demandes pour cas spéciaux approuvées pour les élèves du conseil visé à l'alinéa (5) b) est augmentée dans la même proportion.

#### **Élément enseignement des langues — conseils de langue anglaise**

**22.** L'élément enseignement des langues d'un conseil scolaire de district de langue anglaise pour l'exercice est calculé en additionnant ce qui suit :

- a) la somme liée aux programmes de français langue seconde qui est versée au conseil pour l'exercice;
- b) la somme liée aux programmes de langue autochtone qui est versée au conseil pour l'exercice;
- c) la somme liée aux programmes d'ESL/ESD qui est versée au conseil pour l'exercice.

#### **Somme liée aux programmes de français langue seconde**

**23.** (1) La somme liée aux programmes de français langue seconde qui est versée à un conseil scolaire de district de langue anglaise pour l'exercice est calculée en additionnant ce qui suit :

- a) la somme liée aux programmes de français langue seconde concernant les élèves de l'élémentaire du conseil;
- b) la somme liée aux programmes de français langue seconde concernant les élèves du secondaire du conseil.

(2) La somme liée aux programmes de français langue seconde concernant les élèves de l'élémentaire d'un conseil est calculée de la manière suivante :

1. Multiplier par 253,56 \$ le nombre d'élèves du conseil inscrits aux quatrième, cinquième, sixième, septième et huitième années qui, le 31 octobre 2005, ont un emploi du temps prévoyant un enseignement en français pendant 20 minutes ou plus, mais moins de 60 minutes, en moyenne par jour de classe.
2. Multiplier par 288,89 \$ le nombre d'élèves du conseil inscrits aux quatrième, cinquième, sixième, septième et huitième années qui, le 31 octobre 2005, ont un emploi du temps prévoyant un enseignement en français pendant 60 minutes ou plus, mais moins de 150 minutes, en moyenne par jour de classe.
3. Multiplier par 323,18 \$ le nombre d'élèves du conseil inscrits aux huit premières années d'études qui, le 31 octobre 2005, ont un emploi du temps prévoyant un enseignement en français pendant 150 minutes ou plus en moyenne par jour de classe.
4. Multiplier par 323,18 \$ le nombre d'élèves du conseil inscrits à la maternelle ou au jardin d'enfants qui, le 31 octobre 2005, ont un emploi du temps prévoyant un enseignement en français pendant 75 minutes ou plus en moyenne par jour de classe.
5. Additionner les sommes calculées en application des dispositions 1 à 4.

(3) La somme liée aux programmes de français langue seconde pour les élèves du secondaire d'un conseil est calculée de la manière suivante :

1. Calculer la somme liée à l'enseignement du français en neuvième et en dixième année en multipliant par 64,46 \$ le total des sommes calculées en application des sous-dispositions suivantes :
  - i. Calculer la valeur en crédits de chaque cours de français qui est enseigné sur une base non semestrielle en neuvième et en dixième année. Multiplier la valeur en crédits par le nombre d'élèves du conseil inscrits au cours le 31 octobre 2005, à l'exclusion des élèves qui sont âgés d'au moins 21 ans le 31 décembre 2005.
  - ii. Calculer la valeur en crédits de chaque cours de français qui est enseigné sur une base semestrielle en neuvième et en dixième année. Multiplier la valeur en crédits par le total du nombre d'élèves du conseil inscrits au cours le 31 octobre 2005 et du nombre d'élèves du conseil inscrits au cours le 31 mars 2006, à l'exclusion des élèves qui sont âgés d'au moins 21 ans le 31 décembre 2005.

2. Calculer la somme liée à l'enseignement d'une matière autre que le français en neuvième et en dixième année dont la langue d'enseignement est le français, en multipliant par 106,04 \$ le total des sommes calculées en application des sous-dispositions suivantes :
  - i. Calculer la valeur en crédits de chaque cours enseigné en français sur une base non semestrielle en neuvième et en dixième année dans une matière autre que le français. Multiplier la valeur en crédits par le nombre d'élèves du conseil inscrits au cours le 31 octobre 2005, à l'exclusion des élèves qui sont âgés d'au moins 21 ans le 31 décembre 2005.
  - ii. Calculer la valeur en crédits de chaque cours enseigné en français sur une base semestrielle en neuvième et en dixième année dans une matière autre que le français. Multiplier la valeur en crédits par le total du nombre d'élèves du conseil inscrits au cours le 31 octobre 2005 et du nombre d'élèves du conseil inscrits au cours le 31 mars 2006, à l'exclusion des élèves qui sont âgés d'au moins 21 ans le 31 décembre 2005.
3. Calculer la somme liée à l'enseignement du français en onzième et en douzième année en multipliant par 85,25 \$ le total des sommes calculées en application des sous-dispositions suivantes :
  - i. Calculer la valeur en crédits de chaque cours de français qui est enseigné sur une base non semestrielle en onzième et en douzième année. Multiplier la valeur en crédits par le nombre d'élèves du conseil inscrits au cours le 31 octobre 2005, à l'exclusion des élèves qui sont âgés d'au moins 21 ans le 31 décembre 2005.
  - ii. Calculer la valeur en crédits de chaque cours de français qui est enseigné sur une base semestrielle en onzième et en douzième année. Multiplier la valeur en crédits par le total du nombre d'élèves du conseil inscrits au cours le 31 octobre 2005 et du nombre d'élèves du conseil inscrits au cours le 31 mars 2006, à l'exclusion des élèves qui sont âgés d'au moins 21 ans le 31 décembre 2005.
4. Calculer la somme liée à l'enseignement d'une matière autre que le français en onzième et en douzième année si la langue d'enseignement est le français en multipliant par 165,30 \$ le total des sommes calculées en application des sous-dispositions suivantes :
  - i. Calculer la valeur en crédits de chaque cours dont la matière n'est pas le français et qui est enseigné en français sur une base non semestrielle en onzième et en douzième année. Multiplier la valeur en crédits par le nombre d'élèves du conseil inscrits au cours le 31 octobre 2005, à l'exclusion des élèves qui sont âgés d'au moins 21 ans le 31 décembre 2005.
  - ii. Calculer la valeur en crédits de chaque cours dont la matière n'est pas le français et qui est enseigné en français sur une base semestrielle en onzième et en douzième année. Multiplier la valeur en crédits par le total du nombre d'élèves du conseil inscrits au cours le 31 octobre 2005 et du nombre d'élèves du conseil inscrits au cours le 31 mars 2006, à l'exclusion des élèves qui sont âgés d'au moins 21 ans le 31 décembre 2005.
5. Additionner les sommes calculées en application des dispositions 1 à 4.

(4) Les définitions qui suivent s'appliquent au présent article.

«cours» Cours du niveau secondaire qui a reçu un code du système uniforme de codage des cours qui est publié par le ministère et que le public peut consulter aux bureaux de la Direction du financement de l'éducation du ministère de l'Éducation à l'Édifice Mowat, 21<sup>e</sup> étage, 900, rue Bay, Toronto (Ontario) M7A 1L2 et sur le site Web du ministère, à l'adresse [www.edu.gov.on.ca](http://www.edu.gov.on.ca), en appuyant sur le lien Élémentaire et secondaire, puis sur Codes des cours au secondaire.  
(«course»)

«enseignement en français» Enseignement du français comme matière ou enseignement de toute autre matière si la langue d'enseignement est le français. («instruction in French»)

«valeur en crédits» Relativement à un cours auquel est inscrit un élève, s'entend du nombre de crédits que celui-ci a le droit d'obtenir lorsqu'il termine le cours avec succès. («credit value»)

#### Somme liée aux programmes de langue autochtone

24. (1) La somme liée aux programmes de langue autochtone qui est versée à un conseil scolaire de district de langue anglaise ou d'un conseil scolaire de district de langue française pour l'exercice est calculée en additionnant la somme liée aux programmes de langue autochtone qui est versée pour les élèves de l'élémentaire du conseil et la somme liée aux programmes de langue autochtone qui est versée pour les élèves du secondaire du conseil.

(2) La somme liée aux programmes de langue autochtone qui est versée pour les élèves de l'élémentaire du conseil correspond au total des sommes calculées en application des dispositions suivantes :

1. Multiplier par 243,19 \$ le nombre d'élèves de l'élémentaire du conseil qui, le 31 octobre 2005, ont un emploi du temps prévoyant l'enseignement d'une langue autochtone pendant 20 minutes ou plus, mais moins de 40 minutes, en moyenne par jour de classe.
2. Multiplier par 432,33 \$ le nombre d'élèves de l'élémentaire du conseil qui, le 31 octobre 2005, ont un emploi du temps prévoyant l'enseignement d'une langue autochtone pendant 40 minutes ou plus en moyenne par jour de classe.

(3) La somme liée aux programmes de langue autochtone qui est versée pour les élèves du secondaire du conseil correspond au total des sommes calculées en application des dispositions suivantes :

1. Multiplier par 64,46 \$ la somme des produits obtenus en multipliant la valeur en crédits de chaque cours de langue autochtone de niveau I, II ou III qui est enseigné sur une base non semestrielle par le nombre d'élèves du conseil inscrits au cours le 31 octobre 2005, à l'exclusion des élèves qui sont âgés d'au moins 21 ans le 31 décembre 2005.
2. Multiplier par 64,46 \$ la somme des produits obtenus en multipliant la valeur en crédits de chaque cours de langue autochtone de niveau I, II ou III qui est enseigné sur une base semestrielle par le total du nombre d'élèves du conseil inscrits au cours le 31 octobre 2005 et du nombre d'élèves du conseil inscrits au cours le 31 mars 2006, à l'exclusion des élèves qui sont âgés d'au moins 21 ans le 31 décembre 2005.
3. Multiplier par 85,25 \$ la somme des produits obtenus en multipliant la valeur en crédits de chaque cours de langue autochtone qui est enseigné sur une base non semestrielle en onzième ou en douzième année par le nombre d'élèves du conseil inscrits au cours le 31 octobre 2005, à l'exclusion des élèves qui sont âgés d'au moins 21 ans le 31 décembre 2005.
4. Multiplier par 85,25 \$ la somme des produits obtenus en multipliant la valeur en crédits de chaque cours de langue autochtone qui est enseigné sur une base semestrielle en onzième ou en douzième année par le total du nombre d'élèves du conseil inscrits au cours le 31 octobre 2005 et du nombre d'élèves du conseil inscrits au cours le 31 mars 2006, à l'exclusion des élèves qui sont âgés d'au moins 21 ans le 31 décembre 2005.

(4) Les définitions qui suivent s'appliquent au présent article.

«cours» Cours du niveau secondaire qui a reçu un code du système uniforme de codage des cours qui est publié par le ministère et que le public peut consulter aux bureaux de la Direction du financement de l'éducation du ministère de l'Éducation à l'Édifice Mowat, 21<sup>e</sup> étage, 900, rue Bay, Toronto (Ontario) M7A 1L2 et sur le site Web du ministère, à l'adresse [www.edu.gov.on.ca](http://www.edu.gov.on.ca), en appuyant sur le lien Élémentaire et secondaire, puis sur Codes des cours au secondaire. («course»)

«valeur en crédits» Relativement à un cours auquel est inscrit un élève, s'entend du nombre de crédits que celui-ci a le droit d'obtenir lorsqu'il termine le cours avec succès. («credit value»)

**Somme liée aux programmes d'ESL/ESD**

**25.** (1) La somme liée aux programmes d'ESL/ESD qui est versée à un conseil scolaire de district de langue anglaise pour l'exercice est calculée en additionnant la somme indiquée pour le conseil au tableau 1 et le produit obtenu en multipliant par 3 267 \$ la somme de ce qui suit :

- a) le nombre, au 31 octobre 2005, des élèves du conseil :
  - (i) qui sont nés dans des pays visés au paragraphe (2) après le 31 décembre 1984,
  - (ii) qui sont arrivés au Canada pendant la période qui commence le 1<sup>er</sup> septembre 2004 et qui se termine le 31 octobre 2005;
- b) la somme obtenue en multipliant par 0,7 le nombre, au 31 octobre 2005, des élèves du conseil :
  - (i) qui sont nés dans des pays visés au paragraphe (2) après le 31 décembre 1984,
  - (ii) qui sont arrivés au Canada pendant la période qui commence le 1<sup>er</sup> septembre 2003 et qui se termine le 31 août 2004;
- c) la somme obtenue en multipliant par 0,5 le nombre, au 31 octobre 2005, des élèves du conseil :
  - (i) qui sont nés dans des pays visés au paragraphe (2) après le 31 décembre 1984,
  - (ii) qui sont arrivés au Canada pendant la période qui commence le 1<sup>er</sup> septembre 2002 et qui se termine le 31 août 2003;
- d) la somme obtenue en multipliant par 0,25 le nombre, au 31 octobre 2005, des élèves du conseil :
  - (i) qui sont nés dans des pays visés au paragraphe (2) après le 31 décembre 1984,
  - (ii) qui sont arrivés au Canada pendant la période qui commence le 1<sup>er</sup> septembre 2001 et qui se termine le 31 août 2002.

(2) Les pays visés pour l'application du paragraphe (1) sont les suivants :

- a) les pays où l'anglais n'est pas la langue première de la majorité de la population;
- b) les pays où la majorité de la population parle un anglais qui est assez différent de l'anglais utilisé comme langue d'enseignement dans les écoles du conseil pour justifier que soit offert un programme d'ESL ou d'ESD aux élèves originaires de ces pays.

**Élément enseignement des langues — conseils de langue française**

**26.** L'élément enseignement des langues d'un conseil scolaire de district de langue française pour l'exercice correspond au total des sommes calculées en application des dispositions suivantes :

1. La somme liée aux programmes de français langue première qui est versée au conseil pour l'exercice.
2. La somme liée aux programmes de langue autochtone qui est versée au conseil pour l'exercice.
3. La somme liée aux programmes d'ALF/PDF qui est versée au conseil pour l'exercice.

**Somme liée aux programmes de français langue première**

**27.** La somme liée aux programmes de français langue première qui est versée à un conseil scolaire de district de langue française pour l'exercice correspond au total des sommes calculées en application des dispositions suivantes :

1. Multiplier par 444,80 \$ le nombre d'élèves de l'élémentaire du conseil le 31 octobre 2005.
2. Multiplier par 718,40 \$ l'effectif quotidien moyen de jour des élèves du conseil pour 2005-2006, en ne comptant que ses élèves du secondaire.
3. Multiplier par 11 822,60 \$ le nombre d'écoles élémentaires qui commencent à relever du conseil en septembre 2005.

**Programmes d'ALF/PDF**

**28.** (1) La somme liée aux programmes d'ALF/PDF qui est versée à un conseil scolaire de district de langue française pour l'exercice est calculée en additionnant les niveaux de financement des programmes d'ALF et de PDF du conseil pour l'exercice.

(2) Le niveau de financement des programmes d'ALF du conseil pour l'exercice est calculé de la manière suivante :

1. Multiplier l'effectif quotidien moyen de jour des élèves de l'élémentaire du conseil pour 2005-2006 par le facteur d'assimilation indiqué au tableau 2 pour le conseil.
2. Multiplier par 705,15 \$ le produit obtenu en application de la disposition 1.
3. Multiplier par 37 627,80 \$ le nombre d'écoles élémentaires du conseil où des élèves étaient inscrits à des programmes scolaires de jour pendant l'année scolaire 2005-2006.
4. Multiplier l'effectif quotidien moyen de jour des élèves du secondaire du conseil pour 2005-2006 par le facteur d'assimilation indiqué au tableau 2 pour le conseil.
5. Multiplier par 314,57 \$ le produit obtenu en application de la disposition 4.
6. Multiplier par 69 135,60 \$ le nombre d'écoles secondaires du conseil où des élèves étaient inscrits à des programmes scolaires de jour pendant l'année scolaire 2005-2006.
7. Additionner les produits obtenus en application des dispositions 2, 3, 5 et 6.
8. Ajouter 86 745,90 \$ à la somme calculée en application de la disposition 7.

(3) Le niveau de financement des programmes de PDF du conseil est calculé en multipliant par 3 267 \$ la somme de ce qui suit :

- a) le nombre, au 31 octobre 2005, des élèves du conseil :
  - (i) qui sont admissibles au financement au titre du PDF en application du paragraphe (4),
  - (ii) qui sont nés après le 31 décembre 1984 dans des pays où le français est la langue normalisée de l'enseignement ou de l'administration publique,
  - (iii) qui sont arrivés au Canada pendant la période qui commence le 1<sup>er</sup> septembre 2004 et qui se termine le 31 octobre 2005;
- b) la somme obtenue en multipliant par 0,7 le nombre, au 31 octobre 2005, des élèves du conseil :
  - (i) qui sont admissibles au financement au titre du PDF en application du paragraphe (4),
  - (ii) qui sont nés après le 31 décembre 1984 dans des pays où le français est la langue normalisée de l'enseignement ou de l'administration publique,
  - (iii) qui sont arrivés au Canada pendant la période qui commence le 1<sup>er</sup> septembre 2003 et qui se termine le 31 août 2004;
- c) la somme obtenue en multipliant par 0,5 le nombre, au 31 octobre 2005, des élèves du conseil :
  - (i) qui sont admissibles au financement au titre du PDF en application du paragraphe (4),

- (ii) qui sont nés après le 31 décembre 1984 dans des pays où le français est la langue normalisée de l'enseignement ou de l'administration publique,
  - (iii) qui sont arrivés au Canada pendant la période qui commence le 1<sup>er</sup> septembre 2002 et qui se termine le 31 août 2003;
- d) la somme obtenue en multipliant par 0,25 le nombre, au 31 octobre 2005, des élèves du conseil :
- (i) qui sont admissibles au financement au titre du PDF en application du paragraphe (4),
  - (ii) qui sont nés après le 31 décembre 1984 dans des pays où le français est la langue normalisée de l'enseignement ou de l'administration publique,
  - (iii) qui sont arrivés au Canada pendant la période qui commence le 1<sup>er</sup> septembre 2001 et qui se termine le 31 août 2002.
- (4) Pour l'application du paragraphe (3), un élève est admissible au financement au titre du PDF s'il est admis à une école du conseil en vertu de l'article 293 de la Loi et que, selon le cas :
- a) il parle un français assez différent du français utilisé comme langue d'enseignement dans les écoles du conseil pour justifier que lui soit offert un programme de PDF;
  - b) sa scolarité a été interrompue ou retardée;
  - c) il a une faible connaissance de l'anglais ou du français.

#### Élément écoles rurales et écoles éloignées

29. (1) L'élément écoles rurales et écoles éloignées d'un conseil scolaire de district pour l'exercice est calculé de la manière suivante :

1. Prendre la somme liée aux directeurs d'école élémentaire calculée en application du paragraphe (2).
  2. Ajouter la somme liée aux directeurs d'école secondaire calculée en application du paragraphe (3).
  3. Ajouter la somme liée aux écoles rurales calculée en application du paragraphe (4).
  4. Ajouter la somme calculée pour le conseil en application de la disposition 3 du paragraphe 29 (3) du règlement sur les subventions de 2003-2004.
  5. Dans le cas du Kenora Catholic District School Board, ajouter 32 135 \$.
  6. Soustraire le total des sommes éventuelles indiquées à la colonne 8 du tableau 3 en regard du nom du conseil à la colonne 1.
  7. Ajouter le total des sommes éventuelles indiquées à la colonne 8 du tableau 4 en regard du nom du conseil à la colonne 1.
  8. Soustraire de la somme calculée en application de la disposition 7 la somme indiquée à la colonne 2 du tableau 5 en regard du nom du conseil à la colonne 1.
- (2) La somme liée aux directeurs d'école élémentaire est calculée de la manière suivante :
1. Prendre l'effectif quotidien moyen de jour des élèves de l'élémentaire du conseil pour 2005-2006.
  2. Multiplier le nombre obtenu en application de la disposition 1 par 269,46 \$.
  3. Diviser le produit obtenu en application de la disposition 2 par 98 027 \$.
  4. Diviser le quotient obtenu en application de la disposition 3 par le nombre d'écoles élémentaires du conseil où des élèves étaient inscrits à des programmes scolaires de jour à l'école pendant l'année scolaire 2005-2006.
  5. Si le résultat obtenu en application de la disposition 4 est égal ou supérieur à 0,69, la somme liée aux directeurs d'école élémentaire est nulle.
  6. Si le résultat obtenu en application de la disposition 4 est inférieur à 0,69, la somme liée aux directeurs d'école élémentaire est calculée de la manière suivante :
    - i. Soustraire le résultat obtenu en application de la disposition 4 de 0,69.
    - ii. Multiplier le nombre obtenu en application de la sous-disposition i par 98 027 \$.
    - iii. Multiplier le produit obtenu en application de la sous-disposition ii par le nombre d'écoles élémentaires du conseil où des élèves étaient inscrits à des programmes scolaires de jour à l'école pendant l'année scolaire 2005-2006.
- (3) La somme liée aux directeurs d'école secondaire est calculée de la manière suivante :

1. Prendre l'effectif quotidien moyen de jour des élèves du secondaire du conseil pour 2005-2006.
2. Multiplier le nombre obtenu en application de la disposition 1 par 117,57 \$.
3. Diviser le produit obtenu en application de la disposition 2 par 106 906 \$.
4. Diviser le quotient obtenu en application de la disposition 3 par le nombre d'écoles secondaires du conseil où des élèves étaient inscrits à des programmes scolaires de jour à l'école pendant l'année scolaire 2005-2006.
5. Si le résultat obtenu en application de la disposition 4 est égal ou supérieur à 0,4, la somme liée aux directeurs d'école secondaire est nulle.
6. Si le résultat obtenu en application de la disposition 4 est inférieur à 0,4, la somme liée aux directeurs d'école secondaire est calculée de la manière suivante :
  - i. Soustraire le résultat obtenu en application de la disposition 4 de 0,4.
  - ii. Multiplier le nombre obtenu en application de la sous-disposition i par 106 906 \$.
  - iii. Multiplier le produit obtenu en application de la sous-disposition ii par le nombre d'écoles secondaires du conseil où des élèves étaient inscrits à des programmes scolaires de jour à l'école pendant l'année scolaire 2005-2006.
- (4) La somme liée aux écoles rurales est calculée de la manière suivante :
  1. Multiplier par 472 \$ l'effectif de 2005-2006, au sens du paragraphe 36 (45), de chaque école élémentaire rurale du conseil.
  2. Multiplier par 3 000 \$ le nombre d'écoles élémentaires rurales du conseil qui constituent également des écoles élémentaires éloignées, au sens du paragraphe 29 (2.1) du règlement sur les subventions de 2003-2004.
  3. Additionner les sommes calculées en application du paragraphe 29 (5) du règlement sur les subventions de 2003-2004 pour toutes les écoles élémentaires rurales du conseil qui constituent également des écoles élémentaires éloignées, au sens du paragraphe 29 (2.1) du règlement sur les subventions de 2003-2004.
  4. Additionner les sommes éventuelles indiquées à la colonne 9 du tableau 4 en regard du nom de l'école élémentaire à la colonne 3 et du nom du conseil à la colonne 1.
  5. Additionner les sommes calculées en application des dispositions 1, 2, 3 et 4.
  6. Multiplier par 134 944 \$ le nombre d'écoles élémentaires rurales du conseil.
  7. Soustraire la somme calculée en application de la disposition 5 de celle qui est calculée en application de la disposition 6. Une différence négative est réputée nulle.
  8. Multiplier par 4 000 \$ le nombre d'écoles élémentaires rurales du conseil.
  9. Ajouter la somme calculée en application de la disposition 8 à celle qui est obtenue en application de la disposition 7.
  10. Multiplier par 467 \$ l'effectif de 2005-2006, au sens du paragraphe 36 (45), de chaque école secondaire rurale du conseil.
  11. Multiplier par 4 000 \$ le nombre d'écoles secondaires rurales du conseil qui constituent également des écoles secondaires éloignées, au sens du paragraphe 29 (2.6) du règlement sur les subventions de 2003-2004.
  12. Additionner les sommes calculées en application du paragraphe 29 (9) du règlement sur les subventions de 2003-2004 pour toutes les écoles secondaires rurales du conseil qui constituent également des écoles secondaires éloignées, au sens du paragraphe 29 (2.6) du règlement sur les subventions de 2003-2004.
  13. Additionner les sommes calculées en application des dispositions 10, 11 et 12.
  14. Multiplier par 145 796 \$ le nombre d'écoles secondaires rurales du conseil.
  15. Soustraire la somme calculée en application de la disposition 13 de celle qui est calculée en application de la disposition 14. Une différence négative est réputée nulle.
  16. Multiplier par 5 000 \$ le nombre d'écoles secondaires rurales du conseil.
  17. Ajouter la somme calculée en application de la disposition 16 à celle qui est obtenue en application de la disposition 15.
  18. Ajouter la somme calculée en application de la disposition 9 à celle qui est calculée en application de la disposition 17.

#### Élément conseils ruraux et éloignés

**30.** (1) L'élément conseils ruraux et éloignés d'un conseil scolaire de district pour l'exercice est calculé en additionnant la somme liée aux petits conseils, la somme liée à la distance et la somme liée à la dispersion de la population scolaire qui sont versées au conseil.

(2) La somme liée aux petits conseils qui est versée au conseil est la somme éventuelle calculée en application de celles des dispositions suivantes qui s'applique au conseil :

1. Si l'effectif quotidien moyen de jour des élèves du conseil pour 2005-2006 est inférieur à 4 000 :
  - i. multiplier l'effectif quotidien moyen de jour des élèves du conseil pour 2005-2006 par 0,0170 \$,
  - ii. soustraire le produit obtenu en application de la sous-disposition i de 313,64 \$,
  - iii. multiplier le résultat obtenu en application de la sous-disposition ii par l'effectif quotidien moyen de jour des élèves du conseil pour 2005-2006.
2. Si l'effectif quotidien moyen de jour des élèves du conseil pour 2005-2006 est d'au moins 4 000, mais de moins de 8 000 :
  - i. soustraire 4 000 de l'effectif quotidien moyen de jour des élèves du conseil pour 2005-2006,
  - ii. multiplier le résultat obtenu en application de la sous-disposition i par 0,0196 \$,
  - iii. soustraire le produit obtenu en application de la sous-disposition ii de 245,51 \$,
  - iv. multiplier le résultat obtenu en application de la sous-disposition iii par l'effectif quotidien moyen de jour des élèves du conseil pour 2005-2006.
3. Si l'effectif quotidien moyen de jour des élèves du conseil pour 2005-2006 est de 8 000 ou plus :
  - i. soustraire 8 000 de l'effectif quotidien moyen de jour des élèves du conseil pour 2005-2006,
  - ii. multiplier le résultat obtenu en application de la sous-disposition i par 0,0209 \$,
  - iii. soustraire le produit obtenu en application de la sous-disposition ii de 167,28 \$,
  - iv. si la somme calculée en application de la sous-disposition iii est supérieure à zéro, la multiplier par l'effectif quotidien moyen de jour des élèves du conseil pour 2005-2006,
  - v. si la somme calculée en application de la sous-disposition iii n'est pas supérieure à zéro, la somme accordée aux petits conseils pour le conseil est nulle.

(3) La somme liée à la distance qui est versée au conseil correspond à ce qui suit :

- a) le produit de l'effectif quotidien moyen de jour des élèves du conseil pour 2005-2006 et du facteur de distance par élève indiqué pour le conseil, dans le cas d'un conseil scolaire de district de langue anglaise;
- b) le produit de l'effectif quotidien moyen de jour des élèves du conseil pour 2005-2006 et du facteur de distance par élève indiqué pour le conseil ou de 174,77 \$, si ce montant est supérieur, dans le cas d'un conseil scolaire de district de langue française.

(4) Le facteur de distance par élève indiqué pour le conseil correspond à la somme calculée en multipliant le facteur urbain indiqué pour le conseil à la colonne 3 du tableau 6 par la somme calculée en application de celle des dispositions suivantes qui s'applique au conseil :

1. Si la distance indiquée pour le conseil à la colonne 2 du tableau 6 est inférieure à 151 kilomètres, la somme est nulle.
2. Si la distance indiquée pour le conseil à la colonne 2 du tableau 6 est égale ou supérieure à 151 kilomètres mais inférieure à 650 kilomètres, la somme est calculée selon la formule suivante :

$$(A - 150) \times 1,072 \$$$

où :

«A» représente la distance indiquée pour le conseil à la colonne 2 du tableau 6.

3. Si la distance indiquée pour le conseil à la colonne 2 du tableau 6 est égale ou supérieure à 650 kilomètres mais inférieure à 1 150 kilomètres, la somme est calculée selon la formule suivante :

$$[(A - 650) \times 0,142 \$] + 535 \$$$

où :

«A» représente la distance indiquée pour le conseil à la colonne 2 du tableau 6.

4. Si la distance indiquée pour le conseil à la colonne 2 du tableau 6 est égale ou supérieure à 1 150 kilomètres, la somme est de 607 \$.

(5) La somme liée à la dispersion de la population scolaire qui est versée au conseil est calculée selon la formule suivante :

$$(DD - F) \times ADE \times 5,63 \$$$



où :

«DD» représente la distance, en kilomètres, liée à la dispersion qui est indiquée à la colonne 4 du tableau 6 en regard du nom du conseil à la colonne 1 de ce tableau,

«F» représente le moindre de l'élément «DD» et de 14 kilomètres,

«ADE» représente l'effectif quotidien moyen de jour des élèves du conseil pour 2005-2006.

#### Élément programmes d'aide à l'apprentissage

**31.** (1) L'élément programmes d'aide à l'apprentissage d'un conseil scolaire de district pour l'exercice correspond au total des sommes indiquées ou calculées en application des dispositions suivantes :

1. La somme indiquée à la colonne 2 du tableau 7 en regard du nom du conseil.
2. L'aide à l'apprentissage durant les premières années d'études du conseil pour l'exercice, calculée en multipliant par 126 \$ l'effectif quotidien moyen de jour des élèves de l'élémentaire du conseil pour 2005-2006, en ne comptant que les élèves inscrits à la maternelle, au jardin d'enfants et aux première, deuxième et troisième années.
3. L'aide aux programmes destinés à accroître l'aptitude à lire, à écrire et à compter du conseil pour l'exercice.
4. La somme liée à la réussite des élèves, de la 7<sup>e</sup> à la 12<sup>e</sup> année, qui est versée au conseil pour l'exercice.

(2) L'aide aux programmes destinés à accroître l'aptitude à lire, à écrire et à compter du conseil pour l'exercice est calculée de la manière suivante :

1. Calculer l'effectif quotidien moyen des cours d'été du conseil pour l'exercice conformément à l'article 4 du règlement sur l'effectif quotidien moyen de 2005-2006, en ne comptant que les élèves du conseil qui sont inscrits à des classes ou à des cours visés aux sous-alinéas c) (iii) et (iv) de la définition de «classe ou cours d'été» au paragraphe 4 (1) de ce règlement.
2. Calculer l'effectif quotidien moyen des programmes d'éducation permanente du conseil pour l'exercice conformément à l'article 3 du règlement sur l'effectif quotidien moyen de 2005-2006, en ne comptant que les élèves du conseil qui sont inscrits à des classes ou à des cours visés aux dispositions 5, 6 et 7 du paragraphe 3 (2) de ce règlement.
3. Additionner les nombres obtenus en application des dispositions 1 et 2.
4. Multiplier le résultat obtenu en application de la disposition 3 par 5 489 \$.
5. Ajouter les frais de transport liés aux programmes destinés à accroître l'aptitude à lire, à écrire et à compter du conseil pour l'exercice.

(3) Les frais de transport liés aux programmes destinés à accroître l'aptitude à lire, à écrire et à compter du conseil pour l'exercice sont calculés de la manière suivante :

1. Prendre l'élément transport des élèves du conseil pour l'exercice.
2. Déduire la somme calculée pour le conseil en application de la disposition 10 de l'article 34.
3. Diviser le résultat obtenu en application de la disposition 2 par l'effectif quotidien moyen de jour des élèves du conseil pour 2005-2006.
4. Multiplier le résultat obtenu en application de la disposition 3 par l'effectif calculé en application de la disposition 1 du paragraphe (2).
5. Multiplier le résultat obtenu en application de la disposition 4 par 3.

(4) La somme liée à la réussite des élèves, de la 7<sup>e</sup> à la 12<sup>e</sup> année, qui est versée au conseil pour l'exercice correspond à la somme calculée de la manière suivante :

1. Multiplier par 25,91 \$ l'effectif quotidien moyen de jour des élèves du conseil pour 2005-2006, en ne comptant que les élèves inscrits en neuvième, dixième, onzième et douzième année.
2. Multiplier par 10,35 \$ l'effectif quotidien moyen de jour des élèves du conseil pour 2005-2006, en ne comptant que les élèves inscrits en quatrième, cinquième, sixième, septième et huitième année.
3. Multiplier par 0,0023 la différence obtenue en soustrayant la somme calculée à l'égard du conseil en application de la disposition 10 de l'article 34 de la somme liée au transport des élèves qui est versée au conseil pour l'exercice.
4. Multiplier par 10 404 000 \$ le facteur démographique lié à la réussite des élèves, de la 7<sup>e</sup> à la 12<sup>e</sup> année, indiqué à la colonne 3 du tableau 7 en regard du nom du conseil à la colonne 1 de ce tableau.
5. Multiplier l'effectif quotidien moyen de jour des élèves du conseil pour 2005-2006, en ne comptant que les élèves inscrits en neuvième, dixième, onzième et douzième année, par la distance, en kilomètres, liée à la dispersion qui est indiquée à la colonne 4 du tableau 6 en regard du nom du conseil à la colonne 1 de ce tableau.

6. Multiplier par 0,52 \$ la somme calculée en application de la disposition 5.
7. Multiplier l'effectif quotidien moyen de jour des élèves du conseil pour 2005-2006, en ne comptant que les élèves inscrits en quatrième, cinquième, sixième, septième et huitième année, par la distance, en kilomètres, liée à la dispersion qui est indiquée à la colonne 4 du tableau 6 en regard du nom du conseil à la colonne 1 de ce tableau.
8. Multiplier par 0,20 \$ la somme calculée en application de la disposition 7.
9. Additionner les sommes calculées en application des dispositions 1, 2, 3, 4, 6 et 8.
10. Ajouter 144 512 \$ au total obtenu en application de la disposition 9.

**Élément éducation permanente et autres programmes**

**32.** (1) L'élément éducation permanente et autres programmes d'un conseil scolaire de district pour l'exercice est calculé de la manière suivante :

1. Calculer l'effectif quotidien moyen de jour du conseil pour 2005-2006, pour l'exercice, conformément à l'article 2 du règlement sur l'effectif quotidien moyen de 2005-2006, en ne comptant que les élèves du conseil qui sont âgés d'au moins 21 ans le 31 décembre 2005.
2. Calculer l'effectif quotidien moyen de l'éducation permanente du conseil pour l'exercice conformément à l'article 3 du règlement sur l'effectif quotidien moyen de 2005-2006, en ne comptant que les élèves inscrits à des classes ou à des cours visés aux dispositions 1, 2, 3, 4, 8 et 9 du paragraphe 3 (2) de ce règlement et en excluant :
  - i. d'une part, les élèves auxquels s'applique le paragraphe 49 (6) de la Loi,
  - ii. d'autre part, les élèves à l'égard desquels le conseil impose des droits en application du paragraphe 8 (4) du règlement sur les droits de 2005-2006.
3. Calculer l'effectif quotidien moyen des cours d'été du conseil pour l'exercice conformément à l'article 4 du règlement sur l'effectif quotidien moyen de 2005-2006, en ne comptant que les élèves inscrits à des classes ou à des cours visés au sous-alinéa c) (i), (ii), (v) ou (vi) de la définition de «classe ou cours d'été» au paragraphe 4 (1) de ce règlement et en excluant les élèves auxquels s'applique le paragraphe 49 (6) de la Loi et ceux à l'égard desquels le conseil impose des droits en application du paragraphe 8 (5) du règlement sur les droits de 2005-2006.
4. Additionner les nombres calculés en application des dispositions 1, 2 et 3.
5. Multiplier le total obtenu en application de la disposition 4 par 2 528 \$.
6. Calculer la somme liée aux programmes de langues d'origine qui est versée au conseil.
7. Calculer pour le conseil la somme liée à la reconnaissance des acquis qui n'est pas fournie dans le cadre d'un programme scolaire de jour.
8. Additionner les sommes calculées en application des dispositions 5, 6 et 7.

(2) Les paragraphes (3) et (4) s'appliquent si un conseil crée des classes pour dispenser un enseignement dans une langue autre que l'anglais ou le français et que le ministre approuve les classes dans le cadre d'un programme scolaire élémentaire de langues d'origine.

(3) Sous réserve du paragraphe (4), la somme liée aux programmes de langues d'origine qui est versée au conseil correspond au produit de 43 \$ et du nombre d'heures d'enseignement que le conseil dispense dans les classes visées au paragraphe (2).

(4) Si le quotient obtenu en divisant le nombre d'élèves de l'élémentaire inscrits aux classes visées au paragraphe (2) que le conseil a créées par le nombre de ces classes est inférieur à 25, le taux horaire de 43 \$ indiqué au paragraphe (3) est réduit du produit de 1 \$ et de la différence du quotient et de 25.

(5) La somme liée à la reconnaissance des acquis qui est versée au conseil pour l'exercice qui n'est pas fournie dans le cadre d'un programme scolaire de jour correspond au total des sommes calculées en application des dispositions suivantes :

1. Multiplier par 102 \$ le nombre d'élèves expérimentés du conseil qui, pendant l'exercice, ont subi une évaluation individualisée pour l'obtention de crédits de neuvième ou de dixième année, conformément à la section 6.6 du document intitulé «Les écoles secondaires de l'Ontario de la 9<sup>e</sup> à la 12<sup>e</sup> année — Préparation au diplôme d'études secondaires de l'Ontario, 1999» que le public peut consulter aux bureaux de la Direction du financement de l'éducation du ministère de l'Éducation à l'Édifce Mowat, 21<sup>e</sup> étage, 900, rue Bay, Toronto (Ontario) M7A 1L2 ou électroniquement en activant successivement les liens suivants du site Web du ministère de l'Éducation au [www.edu.gov.on.ca](http://www.edu.gov.on.ca): Publications, Programmes-cadres et directives, et Politique et documents de référence.
2. Multiplier par 102 \$ le nombre d'élèves expérimentés du conseil qui, pendant l'exercice, ont subi une évaluation individualisée pour l'obtention d'équivalences de crédits de onzième ou de douzième année, conformément à la section 6.6 du document intitulé «Les écoles secondaires de l'Ontario de la 9<sup>e</sup> à la 12<sup>e</sup> année — Préparation au diplôme d'études secondaires de l'Ontario, 1999» et que l'on peut consulter de la manière indiquée à la disposition 1.

3. Multiplier par 306 \$ le nombre de revendications réglées de crédits de onzième et de douzième année présentées par des élèves expérimentés du conseil, pendant l'exercice, conformément à la section 6.6 de la publication du ministère intitulée «Les écoles secondaires de l'Ontario de la 9<sup>e</sup> à la 12<sup>e</sup> année — Préparation au diplôme d'études secondaires de l'Ontario, 1999» et que l'on peut consulter de la manière indiquée à la disposition 1.
- (6) Les règles suivantes s'appliquent dans le cadre du paragraphe (5) :
  1. Un élève du conseil est un élève expérimenté pour l'exercice s'il est âgé d'au moins 18 ans le 31 décembre 2005 et qu'il n'était pas inscrit à un programme scolaire de jour pendant une ou plusieurs années scolaires antérieures.
  2. Pour déterminer le nombre de revendications réglées de crédits de onzième et de douzième année présentées par des élèves expérimentés du conseil, un cours qui donne droit à un crédit complet est compté pour un crédit et un cours qui donne droit à un demi-crédit est compté pour 0,5 crédit.

**Élément redressement des coûts et compétence et expérience des enseignants**

**33.** (1) Les définitions qui suivent s'appliquent au présent article.

«AEFO» L'Association des enseignantes et des enseignants franco-ontariens. («AEFO»)

«catégorie de qualifications» S'entend de la certification de l'AEFO ou de la FEESO ou d'une catégorie du COEQ. («qualification category»)

«catégorie du COEQ» S'entend de la catégorie D, C, B, A1, A2, A3 ou A4 du COEQ. («QECO category»)

«certification de l'AEFO» S'entend de la certification de groupe 1, de groupe 2, de groupe 3 ou de groupe 4 octroyée par l'AEFO. («AEFO certification»)

«certification de la FEESO» S'entend de la certification de groupe 1, de groupe 2, de groupe 3 ou de groupe 4 octroyée par la FEESO. («OSSTF certification»)

«COEQ» Le Conseil ontarien d'évaluation des qualifications. («QECO»)

«enseignant» S'entend en outre des enseignants temporaires, mais non des enseignants suppléants. («teacher»)

«FEESO» La Fédération des enseignantes-enseignants des écoles secondaires de l'Ontario. («OSSTF»)

(2) Au présent article, les cases du tableau 8 sont désignées par leur abscisse (la catégorie de qualifications), suivie de leur ordonnée (le nombre qui représente les années complètes d'expérience en enseignement).

(3) Par exemple, la case C-1 du tableau 8 contient le nombre 0,6127 et la case A1/groupe 1-3, le nombre 0,7416.

(4) Pour l'application du présent article, le nombre d'enseignants employés par un conseil correspond au nombre de personnes à temps plein ou l'équivalent que le conseil emploie au 31 octobre 2005 pour enseigner.

(5) Pour l'application du paragraphe (4), le dénombrement se fait selon les méthodes que le conseil utilise habituellement aux fins de la dotation en personnel, sous réserve des règles suivantes :

1. L'enseignant qui n'est pas affecté à l'enseignement aux élèves du conseil dans le cadre d'un emploi du temps régulier qui est en vigueur au 31 octobre 2005 ne doit pas être dénombré pour l'application du présent article, à moins qu'il ne satisfasse aux conditions visées au paragraphe (6).
2. La prestation de l'enseignement en bibliothèque ou de l'orientation aux élèves est considérée comme la prestation d'un enseignement aux élèves pour l'application des dispositions 1, 3 et 4.
3. L'équivalence à temps plein de l'enseignant qui, dans le cadre d'un emploi du temps régulier qui est en vigueur au 31 octobre 2005, est affecté, une partie du temps, à l'enseignement aux élèves du conseil et qui, à cette date, est également affecté, une autre partie du temps, en application de l'article 17 du Règlement 298 des Règlements refondus de l'Ontario de 1990 («Fonctionnement des écoles — Dispositions générales») pris en application de la Loi, à un poste de conseiller, de coordonnateur ou de superviseur, est calculée de la manière suivante :
  - i. Calculer le nombre moyen d'heures par jour de l'horaire qui inclut le 31 octobre 2005 auxquelles l'enseignant est affecté régulièrement, conformément à son emploi du temps, pour dispenser l'enseignement aux élèves du conseil ou pour préparer cet enseignement. Pour l'application de la présente sous-disposition, le dénombrement des heures se fait à une décimale près.
  - ii. Diviser le total calculé en application de la sous-disposition i par 5.
4. Le directeur d'école ou le directeur adjoint qui, dans le cadre d'un emploi du temps régulier qui est en vigueur au 31 octobre 2005, est affecté, une partie du temps, à l'enseignement aux élèves du conseil est dénombré comme enseignant pour l'application du présent article et son équivalence à temps plein à titre d'enseignant est calculée de la manière suivante :

- i. Calculer le nombre moyen d'heures par jour de l'horaire qui inclut le 31 octobre 2005 auxquelles le directeur d'école ou le directeur adjoint est affecté régulièrement, conformément à son emploi du temps, pour dispenser l'enseignement aux élèves du conseil. Pour l'application du présent paragraphe, le dénombrement des heures se fait à une décimale près.
  - ii. Diviser le nombre calculé en application de la sous-disposition i par 5.
5. L'enseignant suppléant qui est affecté à l'enseignement aux élèves du conseil dans le cadre d'un emploi du temps régulier qui est en vigueur le 31 octobre 2005 n'est pas dénombré si l'enseignant qu'il remplace est compris dans le calcul du nombre d'enseignants qu'emploie le conseil fait en application du paragraphe (4) et que ce dernier peut raisonnablement s'attendre à ce qu'il reprenne ses fonctions auprès de lui durant l'exercice.
- (6) Pour l'application de la disposition 1 du paragraphe (5), un enseignant est dénombré pour l'application du présent article s'il est en congé payé le 31 octobre 2005 et que sa rémunération pendant le congé n'est pas remboursée au conseil.
- (7) Le nombre d'années complètes d'expérience en enseignement d'un enseignant est réputé son nombre d'années d'expérience en enseignement avant le premier jour de l'année scolaire 2005-2006, arrondi au nombre entier le plus près s'il comprend une fraction. À cette fin, un nombre se terminant par ,5 est considéré comme étant le plus près du nombre entier suivant.
- (8) Le nombre d'années complètes d'expérience en enseignement d'un enseignant est réputé être de 10 s'il est supérieur à ce chiffre.
- (9) Le nombre d'années complètes d'expérience en enseignement d'un directeur d'école ou d'un directeur adjoint est réputé être de 10.
- (10) Les règles suivantes s'appliquent, à compter du 31 octobre 2005, en vue d'établir la catégorie de qualifications d'un enseignant :
1. Si un conseil utilise le système de certification de l'AEFO aux fins de l'établissement du salaire d'un enseignant qu'il emploie, ce système est utilisé à l'égard de cet enseignant pour l'application du présent article.
  2. Si un conseil utilise le système de catégories du COEQ aux fins de l'établissement du salaire d'un enseignant qu'il emploie, ce système est utilisé à l'égard de cet enseignant pour l'application du présent article.
  3. Si un conseil utilise le système de certification de la FEESO aux fins de l'établissement du salaire d'un enseignant qu'il emploie, ce système est utilisé à l'égard de cet enseignant pour l'application du présent article.
  4. Sous réserve de la disposition 6, si un conseil n'utilise pas le système de catégories du COEQ aux fins de l'établissement du salaire d'un enseignant de l'élémentaire qu'il emploie, le système de classification qu'il utilise dans le cas des enseignants de l'élémentaire pour remplir le Formulaire de données A 2004 qui est remis au Bureau d'information sur les négociations collectives du ministère du Travail est utilisé à l'égard de cet enseignant pour l'application du présent article.
  5. Sous réserve de la disposition 6, si un conseil n'utilise ni le système de catégories du COEQ, ni le système de certification de l'AEFO ou de la FEESO aux fins de l'établissement du salaire d'un enseignant du secondaire qu'il emploie, le système de classification qu'il utilise dans le cas des enseignants du secondaire pour remplir le Formulaire de données A 2004 qui est remis au Bureau d'information sur les négociations collectives du ministère du Travail est utilisé à l'égard de cet enseignant pour l'application du présent article.
  6. Dans les circonstances visées à la disposition 4 ou 5, le conseil peut choisir, par avis écrit envoyé au ministre, d'utiliser le système de certification de l'AEFO, le système de catégories du COEQ désigné plan 4 par le COEQ ou le système de certification de 1992 de la FEESO, au lieu du système de classification exigé en application de la disposition 4 ou 5.
  7. La catégorie de qualifications d'un directeur d'école ou d'un directeur adjoint est réputée correspondre à A4/Groupe 4.
  8. Si la catégorie de qualifications à laquelle appartient une personne est changée après le 31 octobre 2005 et que le changement, aux fins de l'établissement de son salaire, est rétroactif à un jour de la période allant du premier jour de l'année scolaire 2005-2006 au 31 octobre 2005, la nouvelle catégorie de qualifications est utilisée pour l'application du présent article.
  9. Le public peut consulter le Formulaire de données A 2004 qui est mentionné aux dispositions 4 et 5 aux bureaux de la Direction du financement de l'éducation du ministère de l'Éducation à l'Édifice Mowat, 21<sup>e</sup> étage, 900, rue Bay, Toronto (Ontario) M7A 1L2.
- (11) L'élément redressement des coûts et compétence et expérience des enseignants d'un conseil scolaire de district est calculé en additionnant ce qui suit :
- a) l'élément compétence et expérience des enseignants de l'élémentaire;
  - b) l'élément compétence et expérience des enseignants du secondaire;
  - c) la somme indiquée à la colonne 2 du tableau 9 en regard du nom du conseil.

(12) L'élément compétence et expérience des enseignants de l'élémentaire d'un conseil scolaire de district est calculé de la manière suivante :

1. Pour chaque case du tableau 8, calculer le nombre des enseignants qui sont employés par le conseil pour dispenser l'enseignement aux élèves de l'élémentaire et qui, à la fois, appartiennent à la catégorie de qualifications et ont le nombre d'années complètes d'expérience en enseignement correspondant à ses coordonnées de la case. Par exemple, l'enseignant qui appartient à la catégorie de qualifications D et qui a 0,7 an d'expérience en enseignement est affecté à la case D-1 et celui qui appartient à la catégorie de qualifications A2 ou groupe 2 et qui a 3,2 ans d'expérience en enseignement est affecté à la case A2/groupe 2-3.
2. Pour chaque case du tableau 8, multiplier le nombre des enseignants qui sont employés par le conseil pour dispenser l'enseignement aux élèves de l'élémentaire et qui y sont affectés par le nombre qui y figure.
3. Additionner tous les produits obtenus en application de la disposition 2 pour le conseil.
4. Diviser le total calculé en application de la disposition 3 par le nombre total d'enseignants qui sont employés par le conseil pour dispenser l'enseignement aux élèves de l'élémentaire.
5. Soustraire un du nombre obtenu en application de la disposition 4.
6. Multiplier le résultat obtenu en application de la disposition 5 par 2 953 \$.
7. Multiplier la somme obtenue en application de la disposition 6 par l'effectif quotidien moyen de jour des élèves de l'élémentaire du conseil pour 2005-2006.
8. Ajouter la somme liée au redressement des coûts pour les enseignants de l'élémentaire qui est calculée en application du paragraphe (14) à celle qui est calculée en application de la disposition 7.

(13) L'élément compétence et expérience des enseignants du secondaire d'un conseil scolaire de district est calculé de la manière suivante :

1. Pour chaque case du tableau 8, calculer le nombre des enseignants qui sont employés par le conseil pour dispenser l'enseignement aux élèves du secondaire et qui, à la fois, appartiennent à la catégorie de qualifications et ont le nombre d'années complètes d'expérience en enseignement correspondant à ses coordonnées de la case. Par exemple, l'enseignant qui appartient à la catégorie de qualifications D et qui a 0,7 an d'expérience en enseignement est affecté à la case D-1 et celui qui appartient à la catégorie de qualifications A2 ou groupe 2 et qui a 3,2 ans d'expérience en enseignement est affecté à la case A2/groupe 2-3.
2. Pour chaque case du tableau 8, multiplier le nombre des enseignants qui sont employés par le conseil pour dispenser l'enseignement aux élèves du secondaire et qui y sont affectés par le nombre qui y figure.
3. Additionner tous les produits obtenus en application de la disposition 2 pour le conseil.
4. Diviser le total calculé en application de la disposition 3 par le nombre total d'enseignants qui sont employés par le conseil pour dispenser l'enseignement aux élèves du secondaire.
5. Soustraire un du nombre obtenu en application de la disposition 4.
6. Multiplier le résultat obtenu en application de la disposition 5 par 3 814 \$.
7. Multiplier la somme obtenue en application de la disposition 6 par l'effectif quotidien moyen de jour des élèves du secondaire du conseil pour 2005-2006.
8. Ajouter la somme liée au redressement des coûts pour les enseignants du secondaire qui est calculée en application du paragraphe (15) à la somme qui est calculée en application de la disposition 7.

(14) La somme liée au redressement des coûts pour les enseignants de l'élémentaire est calculée de la manière suivante :

1. Multiplier par 55 161 \$ le nombre obtenu en application de la disposition 3 du paragraphe (12).
2. Pour chaque case du tableau 8, prendre :
  - i. le nombre obtenu pour cette case en application de la disposition 1 du paragraphe (12),
  - ii. le salaire des enseignants de l'élémentaire qui est déclaré par le conseil pour son exercice 2004-2005 à l'égard de cette case à l'annexe G des prévisions budgétaires de 2005-2006 qu'il a remises en application de l'alinéa 231 (11) c) de la Loi.
3. Pour chaque case du tableau 8, multiplier le nombre pris en application de la sous-disposition 2 i) par la somme prise en application de la sous-disposition 2 ii).
4. Additionner les produits obtenus en application de la disposition 3.
5. Soustraire la somme calculée en application de la disposition 4 de celle qui est calculée en application de la disposition 1.

6. Multiplier par 0,02 la somme calculée en application de la disposition 5.
  7. Diviser par 1,02 la somme calculée en application de la disposition 6.
  8. Additionner les sommes calculées en application des dispositions 6 et 7.
- (15) La somme liée au redressement des coûts pour les enseignants du secondaire est calculée de la manière suivante :
1. Multiplier par 55 161 \$ le nombre obtenu en application de la disposition 3 du paragraphe (13).
  2. Pour chaque case du tableau 8, prendre :
    - i. le nombre obtenu pour cette case en application de la disposition 1 du paragraphe (13),
    - ii. le salaire des enseignants du secondaire qui est déclaré par le conseil pour son exercice 2004-2005 à l'égard de cette case à l'annexe G des prévisions budgétaires de 2004-2005 qu'il a remises en application de l'alinéa 231 (11) c) de la Loi.
  3. Pour chaque case du tableau 8, multiplier le nombre pris en application de la sous-disposition 2 i par la somme prise en application de la sous-disposition 2 ii.
  4. Additionner les produits obtenus en application de la disposition 3.
  5. Soustraire la somme calculée en application de la disposition 4 de celle qui est calculée en application de la disposition 1.
  6. Multiplier par 0,02 la somme calculée en application de la disposition 5.
  7. Diviser par 1,02 la somme calculée en application de la disposition 6.
  8. Additionner les sommes calculées en application des dispositions 6 et 7.

#### Élément transport des élèves

- 34.** L'élément transport des élèves d'un conseil scolaire de district pour l'exercice est calculé de la manière suivante :
1. Soustraire la somme calculée à l'égard du conseil en application de la disposition 38 de l'article 35 du règlement sur les subventions de 2004-2005 de celle calculée à l'égard du conseil en application de la disposition 39, 40, 41, 42 ou 43, selon le cas, de l'article 35 de ce règlement.
  2. Multiplier le nombre obtenu en application de la disposition 1 par 0,0356.
  3. Calculer l'effectif quotidien moyen de jour des élèves du conseil pour 2005-2006.
  4. Prendre l'effectif quotidien moyen de jour des élèves du conseil pour 2004-2005, au sens du règlement sur les subventions de 2004-2005.
  5. Diviser le nombre obtenu en application de la disposition 3 par celui obtenu en application de la disposition 4. Si le quotient obtenu est inférieur à 1,0, il est réputé être 1,0.
  6. Multiplier le nombre obtenu en application de la disposition 1 par celui obtenu en application de la disposition 5.
  7. Additionner les nombres obtenus en application des dispositions 2 et 6.
  8. Multiplier le nombre obtenu en application de la disposition 1 par 0,0065.
  9. Additionner le nombre obtenu en application de la disposition 7 et celui obtenu en application de la disposition 8 ou, s'il lui est supérieur, par 10 000 \$.
  10. Calculer le montant des dépenses engagées par le conseil au cours de l'exercice que le ministre a approuvé, en se fondant sur les chiffres que lui a communiqués le conseil, à l'égard du transport des élèves à destination et en provenance de l'École provinciale pour aveugles, d'une école provinciale pour sourds ou d'une école d'application ouverte ou dirigée, en vertu d'une entente conclue avec le ministre, au profit d'élèves qui ont de graves anomalies de communication.
  11. Additionner les sommes obtenues en application des dispositions 9 et 10.

#### Élément administration et gestion

**35.** (1) L'élément administration et gestion des conseils scolaires d'un conseil scolaire de district pour l'exercice correspond au total des sommes visées aux dispositions suivantes :

1. La somme liée aux allocations et frais des membres du conseil et aux dépenses relatives à la représentation des élèves, calculée en application du paragraphe (2), qui est versée au conseil.
2. La somme liée aux directeurs de l'éducation et aux agents de supervision, calculée en application du paragraphe (4), qui est versée au conseil.

3. La somme liée aux frais d'administration, calculée en application du paragraphe (5), qui est versée au conseil.
  4. La somme multi-municipalités, calculée en application du paragraphe (6), qui est versée au conseil.
- (2) La somme liée aux allocations et frais des membres du conseil et aux dépenses relatives à la représentation des élèves qui est versée au conseil est calculée de la manière suivante :
1. Multiplier le nombre des membres du conseil par 5 000 \$ pour calculer leurs allocations. Pour l'application de la présente disposition et de la disposition 2, le nombre des membres du conseil est calculé en additionnant ce qui suit :
    - i. le nombre de membres déterminé pour le conseil en vertu du sous-alinéa 58.1 (2) k (i) de la Loi ou, si une résolution visée au paragraphe 58.1 (10.1) de la Loi est en vigueur, le nombre de membres qui y est précisé,
    - ii. le nombre de représentants autochtones déterminé pour le conseil en vertu du paragraphe 188 (5) de la Loi.
  2. Multiplier le nombre des membres du conseil par 5 000 \$ pour calculer leurs frais.
  3. Additionner les produits obtenus en application des dispositions 1 et 2.
  4. Ajouter 10 000 \$ à la somme calculée en application de la disposition 3 au titre des allocations supplémentaires versées au président et au vice-président.
  5. Ajouter 5 000 \$ à la somme calculée en application de la disposition 4 au titre des dépenses relatives à la représentation des élèves.
- (3) Pour l'application du paragraphe (4), les élèves sont dénombrés en fonction de l'effectif quotidien moyen de jour des élèves du conseil pour 2005-2006.
- (4) La somme liée aux directeurs de l'éducation et aux agents de supervision qui est versée au conseil est calculée de la manière suivante :
1. Prévoir 461 372 \$ comme somme de base.
  2. Prévoir 11,76 \$ par élève pour la première tranche de 10 000 élèves du conseil.
  3. Prévoir 17,17 \$ par élève pour la tranche suivante de 10 000 élèves du conseil.
  4. Prévoir 23,61 \$ par élève pour le reste des élèves du conseil.
  5. Additionner les sommes prévues en application des dispositions 1 à 4.
  6. Ajouter 2 pour cent de l'élément conseils ruraux et éloignés du conseil pour l'exercice.
  7. Ajouter 0,5 pour cent du total des sommes obtenues pour le conseil en application de la disposition 1 du paragraphe 31 (1).
  8. Ajouter 1 pour cent de la somme calculée pour le conseil au titre des nouvelles places en application du paragraphe 36 (10).
- (5) La somme liée aux frais d'administration qui est versée au conseil est calculée de la manière suivante :
1. Prévoir 87 416 \$ comme somme de base.
  2. Ajouter le produit de 189,35 \$ et de l'effectif quotidien moyen de jour des élèves du conseil pour 2005-2006.
  3. Ajouter 11 pour cent de l'élément conseils ruraux et éloignés du conseil pour l'exercice.
  4. Ajouter 0,5 pour cent du total des sommes obtenues pour le conseil en application de la disposition 1 du paragraphe 31 (1).
  5. Ajouter 1 pour cent de la somme calculée pour le conseil au titre des nouvelles places en application du paragraphe 36 (10).
- (6) La somme multi-municipalités éventuelle qui est versée au conseil est calculée conformément aux règles suivantes :
1. Si, le 1<sup>er</sup> septembre 2005, le territoire de compétence du conseil englobe, en totalité ou en partie, au moins 30 municipalités, mais au plus 49, la somme est calculée selon la formule suivante :
 
$$(n - 29) \times 500 \$$$
 où :  
 «n» représente le nombre de ces municipalités.
  2. Si, le 1<sup>er</sup> septembre 2005, le territoire de compétence du conseil englobe, en totalité ou en partie, au moins 50 municipalités, mais au plus 99, la somme est calculée selon la formule suivante :

$$10\,000 \$ + [(n - 49) \times 750 \$]$$

où :

«n» représente le nombre de ces municipalités.

3. Si, le 1<sup>er</sup> septembre 2005, le territoire de compétence du conseil englobe, en totalité ou en partie, au moins 100 municipalités, la somme est calculée selon la formule suivante :

$$47\,500 \$ + [(n - 99) \times 1\,000 \$]$$

où :

«n» représente le nombre de ces municipalités.

(7) Pour l'application du paragraphe (6), une municipalité qui est réputée une municipalité de district n'est pas comptée comme une municipalité.

#### Élément installations d'accueil pour les élèves

**36.** (1) L'élément installations d'accueil pour les élèves d'un conseil scolaire de district pour l'exercice correspond au total des sommes indiquées au paragraphe (2).

(2) Les sommes mentionnées au paragraphe (1) sont les suivantes :

1. La somme liée au fonctionnement des écoles.
2. La somme liée à la réfection des écoles.
3. La somme liée aux nouvelles places.
4. La somme liée aux engagements d'immobilisations non réalisés.

(3) La somme liée au fonctionnement des écoles qui est versée au conseil pour l'exercice est calculée de la manière suivante :

1. Calculer l'effectif quotidien moyen de jour des élèves de l'élémentaire du conseil pour 2005-2006.
2. Multiplier le nombre calculé en application de la disposition 1 par la superficie repère requise par élève de 9,7 mètres carrés pour obtenir la superficie des écoles élémentaires requise pour le conseil.
3. Calculer, en mètres carrés, la superficie redressée des écoles élémentaires requise pour le conseil en appliquant, à la valeur calculée en application de la disposition 2, le facteur relatif à la superficie supplémentaire des écoles élémentaires que le ministre approuve pour le conseil conformément aux paragraphes (4) et (5).
4. Calculer l'effectif quotidien moyen de jour du conseil pour l'exercice 2005-2006 conformément à l'article 2 du règlement sur l'effectif quotidien moyen de jour de 2005-2006, en ne comptant que les élèves qui sont âgés d'au moins 21 ans le 31 décembre 2005.
5. Calculer l'effectif quotidien moyen de l'éducation permanente du conseil pour l'exercice 2005-2006 conformément à l'article 3 du règlement sur l'effectif quotidien moyen de 2005-2006, en ne comptant que les élèves inscrits à un cours pour lequel ils peuvent obtenir un crédit et dans lequel l'enseignement est dispensé entre 8 h et 17 h et en excluant les élèves suivants :
  - i. les élèves inscrits à un cours d'éducation permanente dispensé principalement par des moyens autres qu'un enseignement en classe,
  - ii. les élèves auxquels s'applique le paragraphe 49 (6) de la Loi,
  - iii. les élèves à l'égard desquels le conseil impose des droits en application du paragraphe 8 (4) du règlement sur les droits de 2005-2006.
6. Calculer l'effectif quotidien moyen des cours d'été du conseil pour l'exercice conformément à l'article 4 du règlement sur l'effectif quotidien moyen de 2005-2006, en excluant les élèves suivants :
  - i. les élèves auxquels s'applique le paragraphe 49 (6) de la Loi,
  - ii. les élèves à l'égard desquels le conseil impose des droits en application du paragraphe 8 (5) du règlement sur les droits de 2005-2006.
7. Prendre le nombre total de places dans les programmes d'enseignement dispensés par le conseil qui sont des programmes d'enseignement admissibles, au sens du paragraphe 20 (2), pour lesquels l'enseignement est offert dans les locaux du conseil.
8. Additionner les nombres calculés en application des dispositions 4, 5, 6 et 7.
9. Multiplier le total obtenu en application de la disposition 8 par la superficie repère requise par élève de 9,29 mètres carrés pour obtenir la superficie liée à l'éducation permanente et autres programmes requise pour le conseil.



10. Calculer, en mètres carrés, la superficie redressée liée à l'éducation permanente et autres programmes requise pour le conseil en appliquant, à la valeur calculée en application de la disposition 9, le facteur relatif à la superficie supplémentaire liée à l'éducation permanente et autres programmes que le ministre approuve pour le conseil conformément au paragraphe (6).
11. Calculer l'effectif quotidien moyen de jour des élèves du secondaire du conseil pour 2005-2006.
12. Multiplier le nombre calculé en application de la disposition 11 par la superficie repère requise par élève de 12,07 mètres carrés pour obtenir la superficie des écoles secondaires requise pour le conseil.
13. Calculer, en mètres carrés, la superficie redressée des écoles secondaires requise pour le conseil en appliquant, à la valeur calculée en application de la disposition 12, le facteur relatif à la superficie supplémentaire des écoles secondaires que le ministre approuve pour le conseil conformément au paragraphe (8).
14. Obtenir la superficie totale en mètres carrés redressée requise pour le conseil en additionnant les valeurs suivantes :
  - i. La superficie redressée des écoles élémentaires requise pour le conseil, calculée en application de la disposition 3.
  - ii. La superficie redressée liée à l'éducation permanente et autres programmes requise pour le conseil, calculée en application de la disposition 10.
  - iii. La superficie redressée des écoles secondaires requise pour le conseil, calculée en application de la disposition 13.
15. Multiplier le nombre obtenu en application de la disposition 14 par le coût repère de fonctionnement de 62,84 \$ le mètre carré.
16. Pour chaque école élémentaire du conseil, calculer la somme complémentaire liée au fonctionnement des écoles de la manière suivante :
  - i. Calculer l'effectif de 2005-2006.
  - ii. Calculer la capacité d'accueil de l'école, exprimée en places, conformément au paragraphe (43). Toutefois, la capacité d'une école pour laquelle le nombre obtenu en application de la sous-disposition i est nul est réputée nulle pour l'application de la présente disposition.
  - iii. Multiplier le nombre calculé en application de la sous-disposition i par la superficie repère requise par élève de 9,7 mètres carrés.
  - iv. Multiplier le nombre obtenu en application de la sous-disposition iii par le coût repère de fonctionnement de 62,84 \$ le mètre carré.
  - v. Multiplier le nombre obtenu en application de la sous-disposition iv par le facteur relatif à la superficie supplémentaire des écoles élémentaires que le ministre approuve pour le conseil conformément aux paragraphes (4) et (5).
  - vi. Multiplier la capacité d'accueil de l'école, exprimée en places, calculée en application de la sous-disposition ii, par la superficie repère requise par élève de 9,7 mètres carrés.
  - vii. Multiplier le nombre obtenu en application de la sous-disposition vi par le coût repère de fonctionnement de 62,84 \$ le mètre carré.
  - viii. Multiplier le nombre obtenu en application de la sous-disposition vii par le facteur relatif à la superficie supplémentaire des écoles élémentaires que le ministre approuve pour le conseil conformément aux paragraphes (4) et (5).
  - ix. Multiplier le nombre obtenu en application de la sous-disposition viii par 0,2.
  - x. Soustraire le nombre obtenu en application de la sous-disposition v de celui obtenu en application de la sous-disposition viii.
  - xi. Prendre le moindre du nombre obtenu en application de la sous-disposition ix et de celui obtenu en application de la sous-disposition x pour obtenir la somme complémentaire liée au fonctionnement des écoles élémentaires pour l'école en question. Toutefois, si le nombre obtenu en application de la sous-disposition x est nul ou négatif ou que le nombre obtenu en application de la sous-disposition i est nul, cette somme est de zéro.
17. Additionner les sommes complémentaires calculées en application de la disposition 16 pour chacune des écoles élémentaires du conseil.
18. Additionner les sommes calculées pour chacune des écoles élémentaires du conseil en application de la disposition 15 du paragraphe 37 (3) du règlement sur les subventions de 2003-2004.
19. Soustraire la somme calculée en application de la disposition 18 de celle calculée à l'égard du conseil en application de la disposition 16.2 du paragraphe 37 (3) du règlement sur les subventions de 2003-2004.

20. Soustraire de la somme calculée en application de la disposition 19 le total des sommes indiquées à la colonne 6 du tableau 3 en regard des noms des écoles élémentaires du conseil.
21. Ajouter à la somme calculée en application de la disposition 20 le total des sommes indiquées à la colonne 6 du tableau 4 en regard des noms des écoles élémentaires du conseil.
22. Faire le total des sommes calculées en application de la disposition 16 pour chacune des écoles élémentaires rurales du conseil.
23. Pour chaque école du conseil qui satisfait aux critères suivants, soustraire la somme calculée à son égard en application de la disposition 15 du paragraphe 37 (3) du règlement sur les subventions de 2003-2004 de celle qui est calculée à son égard en application de la disposition 16.1 de ce paragraphe :
  - i. Il s'agit d'une école élémentaire rurale du conseil.
  - ii. Il s'agit d'une école élémentaire éloignée du conseil, au sens du paragraphe 29 (2.1) du règlement sur les subventions de 2003-2004.
  - iii. L'école ne figure pas à la colonne 3 du tableau 3.
24. Faire le total des sommes calculées à l'égard des écoles du conseil en application de la disposition 23.
25. Ajouter les sommes calculées en application des dispositions 22 et 24 au total des sommes indiquées à la colonne 6 du tableau 4 en regard des noms des écoles élémentaires du conseil qui constituent des écoles élémentaires rurales.
26. Soustraire la somme calculée en application de la disposition 25 du total des sommes calculées à l'égard des écoles élémentaires rurales du conseil en application de la sous-disposition 16 x. Une différence négative est réputée nulle.
27. Pour chaque école secondaire du conseil, calculer la somme complémentaire liée au fonctionnement des écoles de la manière suivante :
  - i. Calculer l'effectif de 2005-2006.
  - ii. Calculer la capacité d'accueil de l'école, exprimée en places, conformément au paragraphe (44). Toutefois, la capacité d'une école pour laquelle le nombre obtenu en application de la sous-disposition i est nul est réputée nulle pour l'application de la présente disposition.
  - iii. Multiplier le nombre calculé en application de la sous-disposition i par la superficie repère requise par élève de 12,07 mètres carrés.
  - iv. Multiplier le nombre obtenu en application de la sous-disposition iii par le coût repère de fonctionnement de 62,84 \$ le mètre carré.
  - v. Multiplier le nombre obtenu en application de la sous-disposition iv par le facteur relatif à la superficie supplémentaire des écoles secondaires que le ministre approuve pour le conseil conformément au paragraphe (8).
  - vi. Multiplier la capacité d'accueil de l'école, exprimée en places, calculée en application de la sous-disposition ii, par la superficie repère requise par élève de 12,07 mètres carrés.
  - vii. Multiplier le nombre obtenu en application de la sous-disposition vi par le coût repère de fonctionnement de 62,84 \$ le mètre carré.
  - viii. Multiplier le nombre obtenu en application de la sous-disposition vii par le facteur relatif à la superficie supplémentaire des écoles secondaires que le ministre approuve pour le conseil conformément au paragraphe (8).
  - ix. Multiplier le nombre obtenu en application de la sous-disposition viii par 0,2.
  - x. Soustraire le nombre obtenu en application de la sous-disposition v de celui obtenu en application de la sous-disposition viii.
  - xi. Prendre le moindre du nombre obtenu en application de la sous-disposition ix et de celui obtenu en application de la sous-disposition x pour obtenir la somme complémentaire liée au fonctionnement des écoles secondaires pour l'école en question. Toutefois, si le nombre obtenu en application de la sous-disposition x est nul ou négatif ou que le nombre obtenu en application de la sous-disposition i est nul, cette somme est de zéro.
28. Additionner les sommes complémentaires liées au fonctionnement des écoles, calculées en application de la disposition 27 pour chacune des écoles secondaires du conseil.
29. Additionner les sommes calculées pour chacune des écoles secondaires du conseil en application de la disposition 17 du paragraphe 37 (3) du règlement sur les subventions de 2003-2004.
30. Soustraire la somme calculée en application de la disposition 29 de celle calculée à l'égard du conseil en application de la disposition 18.2 du paragraphe 37 (3) du règlement sur les subventions de 2003-2004.

31. Soustraire de la somme calculée en application de la disposition 30 le total des sommes indiquées à la colonne 6 du tableau 3 en regard des noms des écoles secondaires du conseil.
  32. Ajouter à la somme calculée en application de la disposition 31 le total des sommes indiquées à la colonne 6 du tableau 4 en regard des noms des écoles secondaires du conseil.
  33. Faire le total des sommes calculées en application de la disposition 27 pour chacune des écoles secondaires rurales du conseil.
  34. Pour chaque école du conseil qui satisfait aux critères suivants, soustraire la somme calculée à son égard en application de la disposition 17 du paragraphe 37 (3) du règlement sur les subventions de 2003-2004 de celle qui est calculée à son égard en application de la disposition 18.1 de ce paragraphe :
    - i. Il s'agit d'une école secondaire rurale du conseil.
    - ii. Il s'agit d'une école secondaire éloignée du conseil, au sens du paragraphe 29 (2.6) du règlement sur les subventions de 2003-2004.
    - iii. L'école ne figure pas à la colonne 4 du tableau 3.
  35. Faire le total des sommes calculées à l'égard des écoles du conseil en application de la disposition 34.
  36. Ajouter les sommes calculées en application des dispositions 33 et 35 au total des sommes indiquées à la colonne 6 du tableau 4 en regard des noms des écoles secondaires du conseil qui constituent des écoles secondaires rurales.
  37. Soustraire la somme calculée en application de la disposition 36 du total des sommes calculées à l'égard des écoles secondaires rurales du conseil en application de la sous-disposition 27 x. Une différence négative est réputée nulle.
  38. Prendre le moindre de ce qui suit :
    - i. la somme liée au renouvellement des permis d'utilisation de logiciels indiquée à la colonne 2 du tableau 10 en regard du nom du conseil,
    - ii. les dépenses que le conseil a engagées au titre du renouvellement des permis d'utilisation de logiciels telles qu'elles ont été déclarées au ministère dans les états financiers annuels du conseil pour l'exercice.
  39. Prendre l'allocation d'utilisation communautaire des écoles indiquée à la colonne 2 du tableau 11 en regard du nom du conseil.
  40. Additionner les sommes calculées en application des dispositions 15, 17, 21, 26, 28, 32, 37, 38 et 39 pour obtenir la somme liée au fonctionnement des écoles qui est versée au conseil.
- (4) Pour l'application de la disposition 3 du paragraphe (3), le ministre approuve le facteur relatif à la superficie supplémentaire des écoles élémentaires pour un conseil qu'il estime indiqué pour tenir compte des besoins en matière d'espace supérieurs à la normale qui sont propres au conseil et qui découlent de l'une ou l'autre des circonstances suivantes :
- a) le conseil fait fonctionner une école qu'il est raisonnable de croire trop grande pour la collectivité qu'elle dessert, pour quelque raison que ce soit, notamment la baisse des effectifs;
  - b) le conseil fait fonctionner une école dans un bâtiment dont il est raisonnable de trouver que les caractéristiques physiques ne correspondent pas à la superficie repère requise visée au paragraphe (3) ni ne peuvent être modifiées facilement pour y correspondre;
  - c) le conseil a des besoins en matière d'espace supérieurs à la normale parce qu'il dessert un nombre supérieur à la normale d'élèves qui sont inscrits à des programmes d'enseignement à l'enfance en difficulté ou à d'autres programmes d'enseignement qui ont besoin de beaucoup d'espace;
  - d) il existe d'autres circonstances approuvées par le ministre.
- (5) Lors du calcul d'une somme pour l'application du paragraphe (4), le ministre tient compte de l'incidence des circonstances visées aux alinéas (4) a) à d) sur les besoins du conseil en matière d'espace.
- (6) Sous réserve du paragraphe (7), les paragraphes (4) et (5) s'appliquent, avec les adaptations nécessaires, pour obliger le ministre à approuver un facteur relatif à la superficie supplémentaire liée à l'éducation permanente et autres programmes pour un conseil. À cette fin, la mention de la superficie des écoles élémentaires est réputée une mention de la superficie liée à l'éducation permanente et autres programmes.
- (7) Le ministre ne doit pas approuver, en vertu du paragraphe (6), un facteur pour un conseil qui est supérieur à celui qu'il a approuvé en vertu du paragraphe (8).
- (8) Les paragraphes (4) et (5) s'appliquent, avec les adaptations nécessaires, pour obliger le ministre à approuver un facteur relatif à la superficie supplémentaire des écoles secondaires pour un conseil. À cette fin, la mention de la superficie des écoles élémentaires est réputée une mention de la superficie des écoles secondaires.
- (9) La somme liée à la réfection des écoles qui est versée au conseil est calculée de la manière suivante :

1. Prendre le pourcentage de la superficie totale des écoles élémentaires du conseil qui se rapporte aux bâtiments qui datent de moins de 20 ans, tel qu'il est indiqué à la colonne 2 du tableau 12 en regard du nom du conseil.
2. Appliquer le pourcentage visé à la disposition 1 au coût repère au mètre carré de réfection des écoles de 7,03 \$.
3. Prendre le pourcentage de la superficie totale des écoles élémentaires du conseil qui se rapporte aux bâtiments qui datent de 20 ans ou plus, tel qu'il est indiqué à la colonne 3 du tableau 12 en regard du nom du conseil.
4. Appliquer le pourcentage visé à la disposition 3 au coût repère au mètre carré de réfection des écoles de 10,54 \$.
5. Additionner les sommes obtenues en application des dispositions 2 et 4 pour obtenir le coût repère moyen pondéré au mètre carré de réfection des écoles élémentaires.
6. Multiplier la somme obtenue en application de la disposition 5 par la superficie redressée des écoles élémentaires requise pour le conseil calculée en application de la disposition 3 du paragraphe (3).
7. Prendre le pourcentage de la superficie totale des écoles secondaires du conseil qui se rapporte aux bâtiments qui datent de moins de 20 ans, tel qu'il est indiqué à la colonne 4 du tableau 12 en regard du nom du conseil.
8. Appliquer le pourcentage visé à la disposition 7 au coût repère au mètre carré de réfection des écoles de 7,03 \$.
9. Prendre le pourcentage de la superficie totale des écoles secondaires du conseil qui se rapporte aux bâtiments qui datent de 20 ans ou plus, tel qu'il est indiqué à la colonne 5 du tableau 12 en regard du nom du conseil.
10. Appliquer le pourcentage visé à la disposition 9 au coût repère au mètre carré de réfection des écoles de 10,54 \$.
11. Additionner les sommes obtenues en application des dispositions 8 et 10 pour obtenir le coût repère moyen pondéré au mètre carré de réfection des écoles secondaires.
12. Multiplier la somme obtenue en application de la disposition 11 par la superficie redressée des écoles secondaires requise pour le conseil calculée en application de la disposition 13 du paragraphe (3).
13. Multiplier la somme obtenue en application de la disposition 11 par la superficie redressée liée à l'éducation permanente et autres programmes requise pour le conseil calculée en application de la disposition 10 du paragraphe (3).
14. Pour chaque école élémentaire du conseil, calculer une somme complémentaire liée à la réfection des écoles, de la manière suivante :
  - i. Calculer l'effectif de 2005-2006.
  - ii. Calculer la capacité d'accueil de l'école, exprimée en places, conformément au paragraphe (43). Toutefois, la capacité d'une école pour laquelle le nombre obtenu en application de la sous-disposition i est nul est réputée nulle pour l'application de la présente disposition.
  - iii. Multiplier le nombre calculé en application de la sous-disposition i par la superficie repère requise par élève de 9,7 mètres carrés.
  - iv. Multiplier le nombre obtenu en application de la sous-disposition iii par le coût repère moyen pondéré au mètre carré de réfection des écoles élémentaires, calculé pour le conseil en application de la disposition 5.
  - v. Multiplier le nombre obtenu en application de la sous-disposition iv par le facteur relatif à la superficie supplémentaire des écoles élémentaires que le ministre approuve pour le conseil conformément aux paragraphes (4) et (5).
  - vi. Multiplier la capacité d'accueil de l'école, exprimée en places, calculée en application de la sous-disposition ii, par la superficie repère requise par élève de 9,7 mètres carrés.
  - vii. Multiplier le nombre obtenu en application de la sous-disposition vi par le coût repère moyen pondéré au mètre carré de réfection des écoles élémentaires, calculé pour le conseil en application de la disposition 5.
  - viii. Multiplier le nombre obtenu en application de la sous-disposition vii par le facteur relatif à la superficie supplémentaire des écoles élémentaires que le ministre approuve pour le conseil conformément aux paragraphes (4) et (5).
  - ix. Multiplier le nombre obtenu en application de la sous-disposition viii par 0,2.
  - x. Soustraire le nombre obtenu en application de la sous-disposition v de celui obtenu en application de la sous-disposition viii.
  - xi. Prendre le moindre du nombre obtenu en application de la sous-disposition ix et de celui obtenu en application de la sous-disposition x pour obtenir la somme complémentaire liée à la réfection des écoles élémentaires pour l'école. Toutefois, si le nombre obtenu en application de la sous-disposition x est nul ou négatif ou que le nombre obtenu en application de la sous-disposition i est nul, la somme complémentaire liée à la réfection des écoles élémentaires pour l'école en question est de zéro.

15. Additionner les sommes complémentaires liées à la réfection des écoles, calculées en application de la disposition 14 pour chacune des écoles élémentaires du conseil.
16. Additionner les sommes calculées pour chacune des écoles élémentaires du conseil en application de la disposition 14 du paragraphe 37 (9) du règlement sur les subventions de 2003-2004.
17. Soustraire la somme calculée en application de la disposition 16 de celle calculée à l'égard du conseil en application de la disposition 15 du paragraphe 37 (9) du règlement sur les subventions de 2003-2004.
18. Soustraire de la somme calculée en application de la disposition 17 le total des sommes indiquées à la colonne 7 du tableau 3 en regard des noms des écoles élémentaires du conseil.
19. Ajouter à la somme calculée en application de la disposition 18 le total des sommes indiquées à la colonne 7 du tableau 4 en regard des noms des écoles élémentaires du conseil.
20. Faire le total des sommes calculées en application de la disposition 14 pour chacune des écoles élémentaires rurales du conseil.
21. Pour chaque école du conseil qui satisfait aux critères suivants, soustraire la somme calculée à son égard en application de la disposition 14 du paragraphe 37 (9) du règlement sur les subventions de 2003-2004 de celle qui est calculée à son égard en application de la disposition 14.1 de ce paragraphe :
  - i. Il s'agit d'une école élémentaire rurale du conseil.
  - ii. Il s'agit d'une école élémentaire éloignée du conseil, au sens du paragraphe 29 (2.6) du règlement sur les subventions de 2003-2004.
  - iii. L'école ne figure pas à la colonne 3 du tableau 3.
22. Faire le total des sommes calculées à l'égard des écoles du conseil en application de la disposition 21.
23. Ajouter les sommes calculées en application des dispositions 20 et 22 au total des sommes indiquées à la colonne 7 du tableau 4 en regard des noms des écoles élémentaires du conseil qui constituent des écoles élémentaires rurales.
24. Soustraire la somme calculée en application de la disposition 23 du total des sommes calculées à l'égard des écoles élémentaires rurales du conseil en application de la sous-disposition 14 x. Une différence négative est réputée nulle.
25. Pour chaque école secondaire du conseil, calculer la somme complémentaire liée à la réfection des écoles de la manière suivante :
  - i. Calculer l'effectif de 2005-2006.
  - ii. Calculer la capacité d'accueil de l'école, exprimée en places, conformément au paragraphe (44). Toutefois, la capacité d'une école pour laquelle le nombre obtenu en application de la sous-disposition i est nul est réputée nulle pour l'application de la présente disposition.
  - iii. Multiplier le nombre calculé en application de la sous-disposition i par la superficie repère requise par élève de 12,07 mètres carrés.
  - iv. Multiplier le nombre obtenu en application de la sous-disposition iii par le coût repère moyen pondéré au mètre carré de réfection des écoles secondaires, calculé pour le conseil en application de la disposition 11.
  - v. Multiplier le nombre obtenu en application de la sous-disposition iv par le facteur relatif à la superficie supplémentaire des écoles secondaires que le ministre approuve pour le conseil conformément au paragraphe (8).
  - vi. Multiplier la capacité d'accueil de l'école, exprimée en places, calculée en application de la sous-disposition ii, par la superficie repère requise par élève de 12,07 mètres carrés.
  - vii. Multiplier le nombre obtenu en application de la sous-disposition vi par le coût repère moyen pondéré au mètre carré de réfection des écoles secondaires, calculé pour le conseil en application de la disposition 11.
  - viii. Multiplier le nombre obtenu en application de la sous-disposition vii par le facteur relatif à la superficie supplémentaire des écoles secondaires que le ministre approuve pour le conseil conformément au paragraphe (8).
  - ix. Multiplier le nombre obtenu en application de la sous-disposition viii par 0,2.
  - x. Soustraire le nombre obtenu en application de la sous-disposition v de celui obtenu en application de la sous-disposition viii.
  - xi. Prendre le moindre du nombre obtenu en application de la sous-disposition ix et de celui obtenu en application de la sous-disposition x pour obtenir la somme complémentaire liée à la réfection des écoles secondaires pour l'école. Toutefois, si le nombre obtenu en application de la sous-disposition x est nul ou négatif ou que le nombre obtenu en application de la sous-disposition i est nul, la somme complémentaire liée à la réfection des écoles secondaires pour l'école en question est de zéro.

26. Additionner les sommes complémentaires liées à la réfection des écoles, calculées en application de la disposition 25 pour chacune des écoles secondaires du conseil.
  27. Additionner les sommes calculées pour chacune des écoles secondaires du conseil en application de la disposition 16 du paragraphe 37 (9) du règlement sur les subventions de 2003-2004.
  28. Soustraire la somme calculée en application de la disposition 27 de celle calculée à l'égard du conseil en application de la disposition 17 du paragraphe 37 (9) du règlement sur les subventions de 2003-2004.
  29. Soustraire de la somme calculée en application de la disposition 28 le total des sommes indiquées à la colonne 7 du tableau 3 en regard des noms des écoles secondaires du conseil.
  30. Ajouter à la somme calculée en application de la disposition 29 le total des sommes indiquées à la colonne 7 du tableau 4 en regard des noms des écoles secondaires du conseil.
  31. Faire le total des sommes calculées en application de la disposition 25 pour chacune des écoles secondaires rurales du conseil.
  32. Pour chaque école du conseil qui satisfait aux critères suivants, soustraire la somme calculée à son égard en application de la disposition 16 du paragraphe 37 (9) du règlement sur les subventions de 2003-2004 de celle qui est calculée à son égard en application de la disposition 16.1 de ce paragraphe :
    - i. Il s'agit d'une école secondaire rurale du conseil.
    - ii. Il s'agit d'une école secondaire éloignée du conseil, au sens du paragraphe 29 (2.6) du règlement sur les subventions de 2003-2004.
    - iii. L'école ne figure pas à la colonne 4 du tableau 3.
  33. Calculer le total des sommes calculées à l'égard des écoles du conseil en application de la disposition 32.
  34. Ajouter les sommes calculées en application des dispositions 31 et 33 au total des sommes indiquées à la colonne 7 du tableau 4 en regard des noms des écoles secondaires du conseil qui constituent des écoles secondaires rurales.
  35. Soustraire la somme calculée en application de la disposition 34 du total des sommes calculées à l'égard des écoles secondaires rurales du conseil en application de la sous-disposition 25 x. Une différence négative est réputée nulle.
  36. Prendre l'augmentation au titre de la réfection des écoles indiquée en regard du nom du conseil au tableau 13.
  37. Additionner les sommes calculées en application des dispositions 6, 12, 13, 15, 24, 26, 35 et 36.
  38. Multiplier le total obtenu en application de la disposition 37 par le facteur de redressement géographique indiqué pour le conseil à la colonne 3 du tableau 14.
  39. Additionner les sommes calculées en application des dispositions 19, 30 et 38.
  40. Calculer le montant des intérêts que le conseil a versés ou dont il est redevable au titre du financement de travaux de réfection des écoles afin de répondre à des besoins urgents et importants, sous réserve de ce qui suit :
    - i. Si la valeur totale du financement est supérieure à la somme indiquée à la colonne 2 du tableau 15 en regard du nom du conseil, elle est réputée, pour l'application du calcul exigé par la présente disposition, correspondre à la somme indiquée à cette colonne.
    - ii. Tous les travaux de réfection des écoles sont effectués dans les écoles du conseil indiquées à l'annexe B du document intitulé «*Lieux propices à l'apprentissage : Première phase d'allocations*» que le public peut consulter aux bureaux de la Direction du financement de l'éducation du ministère de l'Éducation à l'Édifice Mowat, 21<sup>e</sup> étage, 900, rue Bay, Toronto (Ontario) M7A 1L2 ou électroniquement sur le site FTP du ministère à l'adresse <ftp://ftp.edu.gov.on.ca>, dans le fichier «sfis», puis sur le fichier «facilities-policy-review».
    - iii. Le ministre a approuvé individuellement tous les travaux de réfection au motif qu'ils répondaient chacun à des besoins urgents et importants dans l'école concernée.
  41. Ajouter la somme calculée en application de la disposition 39 à celle qui est calculée en application de la disposition 40.
- (10) La somme liée aux nouvelles places qui est versée au conseil pour l'exercice est calculée de la manière suivante :
1. Calculer l'effectif quotidien moyen de jour des élèves de l'élémentaire du conseil pour 2005-2006.
  2. Soustraire du nombre obtenu en application de la disposition 1 la capacité d'accueil à l'élémentaire du conseil calculée en application du paragraphe (15). Si la différence est négative, le nombre obtenu en application de la présente disposition est de zéro.
  3. Ajouter au nombre obtenu en application de la disposition 2 la somme éventuelle des nombres dont chacun correspond au nombre de nouvelles places dont le conseil a besoin par suite de l'augmentation de l'effectif à l'élémentaire, calculé afin d'obtenir la somme liée aux nouvelles places qui est versée au conseil pour un exercice antérieur.

4. Ajouter au nombre obtenu en application de la disposition 3 la somme des nombres de nouvelles places à l'élémentaire indiqués au titre du redressement temporaire des immobilisations à la colonne 4 du tableau 12 du règlement sur les subventions de 2004-2005 en regard du nom du conseil à la colonne 1 de ce tableau.
5. Soustraire le nombre obtenu à l'égard du conseil en application de la disposition 2 du paragraphe 37 (10) du règlement sur les subventions de 2003-2004 de celui obtenu à son égard en application de la disposition 3.2 de ce paragraphe. Si la différence est négative, le nombre obtenu en application de la présente disposition est de zéro.
6. Ajouter les nombres obtenus en application des dispositions 4 et 5.
7. Ajouter au nombre calculé en application de la disposition 6 le nombre éventuel de nouvelles places dont le conseil a besoin à l'égard de ses écoles élémentaires dont le coût des réparations est prohibitif, calculé afin d'obtenir la somme liée aux nouvelles places qui est versée au conseil pour un exercice antérieur.
8. Si le nombre obtenu en application de la disposition 2 est de zéro, ajouter à celui obtenu en application de la disposition 7 le nombre éventuel de nouvelles places dont le conseil a besoin par suite de l'augmentation de l'effectif à l'élémentaire, calculé en application du paragraphe (11).
9. Prendre le nombre de nouvelles places à l'élémentaire que le conseil déclare au plus tard le 31 août 2005 comme ayant été aménagées au plus tard le 30 septembre 2003 et financées en totalité ou en partie à l'aide de sommes calculées pour le conseil en application d'une disposition que remplace le présent paragraphe. À cette fin, une nouvelle place est établie par le conseil conformément au Guide d'instruction daté de 2002 que l'on peut consulter électroniquement en appuyant sur le lien L'Accès public à l'adresse [sfis.edu.gov.on.ca](http://sfis.edu.gov.on.ca) et sur papier aux bureaux de la Direction du financement de l'éducation du ministère de l'Éducation à l'Édifice Mowat, 21<sup>e</sup> étage, 900, rue Bay, Toronto (Ontario) M7A 1L2. Le conseil rédige le rapport sous la forme qu'approuve le ministre.
10. Prendre le moindre de ce qui suit :
  - i. le nombre obtenu en application de la disposition 7;
  - ii. le cas échéant, le nombre obtenu en application de la disposition 8;
  - iii. le nombre de places à l'élémentaire qui ont été construites ou pour lesquelles le conseil a attribué des contrats de construction avant le 30 septembre 2005.
11. Prendre le moindre de ce qui suit :
  - i. le nombre obtenu en application de la disposition 7;
  - ii. le cas échéant, le nombre obtenu en application de la disposition 8;
  - iii. le nombre de places à l'élémentaire qui ont été construites ou pour lesquelles le conseil a attribué des contrats de construction avant le 31 mars 2006.
12. Soustraire le nombre obtenu en application de la disposition 9 de celui obtenu en application de la disposition 10. Une différence négative est réputée nulle.
13. Multiplier le nombre obtenu en application de la disposition 12 par la superficie repère requise de 9,29 mètres carrés par élève.
14. Multiplier le produit obtenu en application de la disposition 13 par le coût repère de construction de nouvelles écoles de 120,77 \$ le mètre carré.
15. Multiplier le produit obtenu en application de la disposition 14 par le facteur de redressement géographique indiqué à la colonne 3 du tableau 14 en regard du nom du conseil.
16. Soustraire le nombre obtenu en application de la disposition 10 de celui obtenu en application de la disposition 11.
17. Multiplier la somme calculée en application de la disposition 16 par la superficie repère requise de 9,29 mètres carrés par élève.
18. Multiplier le produit obtenu en application de la disposition 17 par le coût repère de construction de nouvelles écoles de 120,77 \$ le mètre carré.
19. Multiplier le produit obtenu en application de la disposition 18 par le facteur de redressement géographique indiqué à la colonne 3 du tableau 14 en regard du nom du conseil.
20. Multiplier par 0,37 le nombre obtenu en application de la disposition 19.
21. Multiplier le nombre obtenu en application de la disposition 9 par la superficie repère requise de 9,29 mètres carrés par élève.
22. Multiplier le produit obtenu en application de la disposition 21 par le coût repère de construction de nouvelles écoles, avant septembre 2004, de 118,40 \$ le mètre carré.

23. Multiplier la somme calculée en application de la disposition 22 par le facteur de redressement géographique indiqué à la colonne 2 du tableau 14 en regard du nom du conseil.
24. Calculer l'effectif quotidien moyen de jour des élèves du secondaire du conseil pour 2005-2006.
25. Soustraire du nombre obtenu en application de la disposition 24 la capacité d'accueil au secondaire du conseil, exprimée en places, calculée en application du paragraphe (15). Si la différence est négative, le nombre obtenu en application de la présente disposition est de zéro.
26. Ajouter au nombre obtenu en application de la disposition 25 la somme éventuelle de tous les nombres dont chacun correspond au nombre de nouvelles places dont le conseil a besoin par suite de l'augmentation de l'effectif au secondaire, calculé afin d'obtenir la somme liée aux nouvelles places qui est versée au conseil pour un exercice antérieur.
27. Ajouter au nombre obtenu en application de la disposition 26 la somme des nombres de nouvelles places requises au secondaire aux fins du redressement temporaire des immobilisations indiqués à la colonne 5 du tableau 12 du règlement sur les subventions de 2004-2005 en regard du nom du conseil à la colonne 1 de ce tableau.
28. Soustraire le nombre obtenu à l'égard du conseil en application de la disposition 17 du paragraphe 37 (10) du règlement sur les subventions de 2003-2004 du nombre obtenu à son égard en application de la disposition 18.2 de ce paragraphe. Une différence négative est réputée nulle.
29. Additionner les nombres obtenus en application des dispositions 27 et 28.
30. Ajouter au nombre obtenu en application de la disposition 29 le nombre éventuel de nouvelles places dont le conseil a besoin à l'égard de ses écoles secondaires dont le coût des réparations est prohibitif, calculé afin d'obtenir la somme liée aux nouvelles places qui est versée au conseil pour un exercice antérieur.
31. Si le nombre obtenu en application de la disposition 25 est de zéro, ajouter à celui obtenu en application de la disposition 30 le nombre éventuel de nouvelles places dont le conseil a besoin par suite de l'augmentation de l'effectif au secondaire, calculé en application du paragraphe (13).
32. Prendre le nombre de nouvelles places au secondaire que le conseil déclare au plus tard le 31 août 2005 comme ayant été aménagées au plus tard le 30 septembre 2003 et financées en totalité ou en partie à l'aide de sommes calculées pour le conseil en application d'une disposition que remplace le présent paragraphe. À cette fin, une nouvelle place est établie par le conseil conformément au Guide d'instruction daté de 2002 que l'on peut consulter électroniquement en appuyant sur le lien L'Accès public à l'adresse [sfis.edu.gov.on.ca](http://sfis.edu.gov.on.ca) et sur papier aux bureaux de la Direction du financement de l'éducation du ministère de l'Éducation à l'Édifice Mowat, 21<sup>e</sup> étage, 900, rue Bay, Toronto (Ontario) M7A 1L2. Le conseil rédige le rapport sous la forme qu'approuve le ministre.
33. Prendre le moindre de ce qui suit :
  - i. le nombre obtenu en application de la disposition 30;
  - ii. le cas échéant, le nombre obtenu en application de la disposition 31;
  - iii. le nombre de places au secondaire qui ont été construites ou pour lesquelles le conseil a attribué des contrats de construction avant le 30 septembre 2005.
34. Prendre le moindre de ce qui suit :
  - i. le nombre obtenu en application de la disposition 30;
  - ii. le cas échéant, le nombre obtenu en application de la disposition 31;
  - iii. le nombre de places au secondaire qui ont été construites ou pour lesquelles le conseil a attribué des contrats de construction avant le 31 mars 2006.
35. Soustraire le nombre obtenu en application de la disposition 32 de celui obtenu en application de la disposition 33. Une différence négative est réputée nulle.
36. Multiplier le nombre obtenu en application de la disposition 35 par la superficie repère requise de 12,07 mètres carrés par élève.
37. Multiplier le produit obtenu en application de la disposition 36 par le coût repère de construction de nouvelles écoles de 131,75 \$ le mètre carré.
38. Multiplier le produit obtenu en application de la disposition 37 par le facteur de redressement géographique indiqué à la colonne 3 du tableau 14 en regard du nom du conseil.
39. Soustraire le nombre obtenu en application de la disposition 33 de celui obtenu en application de la disposition 34.
40. Multiplier la somme calculée en application de la disposition 39 par la superficie repère requise de 12,07 mètres carrés par élève.



41. Multiplier le produit obtenu en application de la disposition 40 par le coût repère de construction de nouvelles écoles de 131,75 \$ le mètre carré.
42. Multiplier la somme calculée en application de la disposition 41 par le facteur de redressement géographique indiqué à la colonne 3 du tableau 14 en regard du nom du conseil.
43. Multiplier par 0,37 la somme calculée en application de la disposition 42.
44. Multiplier le nombre obtenu en application de la disposition 32 par la superficie repère requise de 12,07 mètres carrés par élève.
45. Multiplier le produit obtenu en application de la disposition 44 par le coût repère de construction de nouvelles écoles, avant septembre 2004, de 129,17 \$ le mètre carré.
46. Multiplier la somme obtenue en application de la disposition 45 par le facteur de redressement géographique indiqué à la colonne 2 du tableau 14 en regard du nom du conseil.
47. Prendre le total de la somme éventuelle calculée à l'égard du conseil en application de la disposition 35 du paragraphe 37 (10) du règlement sur les subventions de 2004-2005 et de celles qui sont calculées en application des dispositions 15, 20, 23, 38, 43 et 46.

(11) Le nombre éventuel de nouvelles places dont le conseil a besoin par suite de l'augmentation de l'effectif à l'élémentaire est calculé en additionnant les nombres obtenus en application du paragraphe (12) pour chaque école élémentaire du conseil à l'égard de laquelle les conditions des dispositions suivantes sont réunies :

1. L'effectif de 2004-2005 de l'école a dépassé d'au moins 100 le total de ce qui suit :
  - i. la capacité d'accueil déclarée pour 2004-2005 de l'école,
  - ii. le nombre de nouvelles places dont le conseil a eu besoin par suite de l'augmentation de l'effectif à l'élémentaire pour l'école, calculé en application du paragraphe 37 (12) du règlement sur les subventions de 2004-2005.
2. L'effectif de 2003-2004 de l'école a dépassé d'au moins 100 le total de ce qui suit :
  - i. la capacité d'accueil déclarée pour 2003-2004 de l'école,
  - ii. le nombre de nouvelles places dont le conseil a eu besoin par suite de l'augmentation de l'effectif à l'élémentaire pour l'école, calculé en application du paragraphe 37 (12) du règlement sur les subventions de 2003-2004.
3. Le nombre de nouvelles places dont le conseil a eu besoin par suite de l'augmentation de l'effectif à l'élémentaire qui serait calculé pour l'école en application du paragraphe (12) dépasse celui calculé selon la formule suivante :

$$A - B$$

où :

«A» représente la capacité d'accueil déclarée pour 2004-2005 totale de toutes les autres écoles élémentaires du conseil qui sont situées à huit kilomètres par route au plus de l'école et le total de tous les nombres calculés en application du paragraphe 37 (11) du règlement sur les subventions de 2004-2005 à l'égard de ces autres écoles,

«B» représente l'effectif de 2004-2005 total des autres écoles visées à l'élément «A».

4. L'école ne figure pas au tableau 10 du Règlement de l'Ontario 156/02 («Financement axé sur les besoins des élèves — subventions générales pour l'exercice 2002-2003 des conseils scolaires») pris en application de la Loi ni au tableau 10 du règlement sur les subventions de 2003-2004.

(12) Le nombre de nouvelles places dont le conseil a besoin par suite de l'augmentation de l'effectif à l'élémentaire pour chaque école élémentaire correspond à la moyenne des chiffres suivants :

- a) l'excédent de l'effectif de 2004-2005 de l'école sur le total de ce qui suit :
  - (i) la capacité d'accueil déclarée pour 2004-2005 de l'école,
  - (ii) le nombre de nouvelles places dont le conseil a eu besoin par suite de l'augmentation de l'effectif à l'élémentaire pour l'école, calculé en application du paragraphe 37 (11) du règlement sur les subventions de 2004-2005;
- b) l'excédent de l'effectif de 2003-2004 de l'école sur le total de ce qui suit :
  - (i) la capacité d'accueil déclarée pour 2003-2004 de l'école,
  - (ii) le nombre de nouvelles places dont le conseil a eu besoin par suite de l'augmentation de l'effectif à l'élémentaire pour l'école, calculé en application du paragraphe 37 (12) du règlement sur les subventions de 2003-2004.

(13) Le nombre éventuel de nouvelles places dont le conseil a besoin par suite de l'augmentation de l'effectif au secondaire est calculé en additionnant les nombres obtenus en application du paragraphe (14) pour chaque école secondaire du conseil à l'égard de laquelle les conditions des dispositions suivantes sont réunies :

1. L'effectif de 2004-2005 de l'école a dépassé d'au moins 100 le total de ce qui suit :
  - i. la capacité d'accueil déclarée pour 2004-2005 de l'école,
  - ii. le nombre de nouvelles places dont le conseil a eu besoin par suite de l'augmentation de l'effectif au secondaire pour l'école, calculé en application du paragraphe 37 (14) du règlement sur les subventions de 2004-2005.
2. L'effectif de 2003-2004 de l'école a dépassé d'au moins 100 le total de ce qui suit :
  - i. la capacité d'accueil déclarée pour 2003-2004 de l'école,
  - ii. le nombre de nouvelles places dont le conseil a eu besoin par suite de l'augmentation de l'effectif au secondaire pour l'école, calculé en application du paragraphe 37 (14) du règlement sur les subventions de 2003-2004.
3. Le nombre de nouvelles places dont le conseil a eu besoin par suite de l'augmentation de l'effectif au secondaire qui serait calculé pour l'école en application du paragraphe (14) dépasse celui calculé selon la formule suivante :

$$A - B$$

où :

«A» représente la capacité d'accueil déclarée pour 2004-2005 totale de toutes les autres écoles secondaires du conseil qui sont situées à 32 kilomètres par route au plus de l'école et le total de tous les nombres calculés en application du paragraphe 37 (14) du règlement sur les subventions de 2003-2004 à l'égard de ces autres écoles,

«B» représente l'effectif de 2003-2004 total des autres écoles visées à l'élément «A».

4. L'école ne figure pas au tableau 10 du Règlement de l'Ontario 156/02 («Financement axé sur les besoins des élèves — subventions générales pour l'exercice 2002-2003 des conseils scolaires») pris en application de la Loi ni au tableau 10 du règlement sur les subventions de 2003-2004.

(14) Le nombre de nouvelles places dont le conseil a besoin par suite de l'augmentation de l'effectif au secondaire pour chaque école secondaire correspond à la moyenne des chiffres suivants :

- a) l'excédent de l'effectif de 2004-2005 de l'école sur le total de ce qui suit :
  - (i) la capacité d'accueil déclarée pour 2004-2005 de l'école,
  - (ii) le nombre de nouvelles places dont le conseil a eu besoin par suite de l'augmentation de l'effectif au secondaire pour l'école, calculé en application du paragraphe 37 (14) du règlement sur les subventions de 2004-2005;
- b) l'excédent de l'effectif de 2003-2004 de l'école sur le total de ce qui suit :
  - (i) la capacité d'accueil déclarée pour 2003-2004 de l'école,
  - (ii) le nombre de nouvelles places dont le conseil a eu besoin par suite de l'augmentation de l'effectif au secondaire pour l'école, calculé en application du paragraphe 37 (14) du règlement sur les subventions de 2003-2004.

(15) Pour l'application des dispositions 2 et 25 du paragraphe (10), la capacité d'accueil à l'élémentaire et la capacité d'accueil au secondaire du conseil sont respectivement la capacité d'accueil à l'élémentaire et la capacité d'accueil au secondaire calculées pour le conseil en application du règlement sur les subventions de 2004-2005, sous réserve des redressements indiqués aux paragraphes (18), (19), (21), (22), (26), (27), (29), (30), (32) à (37), (39) et (41).

(16) Le ministre établit les charges et les catégories d'aires d'enseignement de la manière suivante :

1. Le ministre désigne des catégories d'aires d'enseignement pour toutes les installations élémentaires et les installations secondaires du conseil. Lorsqu'il désigne ces catégories, il se sert des catégories figurant dans le rapport d'août 1998 du Comité d'étude des subventions pour les installations destinées aux élèves, que le ministère a remis aux conseils scolaires en septembre 1998 et que le public peut consulter aux bureaux de la Direction du financement de l'éducation du ministère de l'Éducation, à l'Édifce Mowat, 21<sup>e</sup> étage, 900, rue Bay, Toronto (Ontario) M7A 1L2. Si le rapport ne mentionne pas de catégorie appropriée pour une aire d'enseignement, le ministre désigne alors une catégorie pour cette aire d'une manière qui est compatible avec les classes établies dans le rapport.
2. Le ministre affecte une charge à chaque catégorie d'aires d'enseignement qu'il désigne en application de la disposition 1, en fonction du nombre d'élèves qu'il est raisonnablement possible d'accueillir dans chacune d'elles. Lorsqu'il calcule ce nombre, il tient compte des caractéristiques physiques de la catégorie d'aire d'enseignement et de l'effectif des classes exigé en application de la Loi.

(17) Le paragraphe (18) ou (19) s'applique à l'égard d'un établissement élémentaire ou secondaire d'un conseil si, au plus tôt le 1<sup>er</sup> janvier 2004 mais avant le 17 février 2005, le conseil a présenté, en vertu du Règlement de l'Ontario 444/98 («Aliénation de biens immeubles excédentaires») pris en application de la Loi, une proposition d'aliénation de l'établissement, sans contrepartie, en faveur de la Société immobilière de l'Ontario ou d'un conseil.

(18) La capacité d'accueil à l'élémentaire calculée pour le conseil en application du paragraphe (15) est redressée de la manière suivante :

1. Pour chaque établissement élémentaire du conseil auquel s'applique le présent paragraphe, appliquer les charges établies en application du paragraphe (16) aux aires d'enseignement de l'établissement, classées en application du même paragraphe.
2. Additionner les nombres obtenus en application de la disposition 1 pour les établissements élémentaires du conseil.
3. Soustraire le total obtenu en application de la disposition 2 de la capacité d'accueil à l'élémentaire calculée pour le conseil en application du paragraphe (15).

(19) La capacité d'accueil au secondaire calculée pour le conseil en application du paragraphe (15) est redressée de la manière suivante :

1. Pour chaque établissement secondaire du conseil auquel s'applique le présent paragraphe, appliquer les charges établies en application du paragraphe (16) aux aires d'enseignement de l'établissement, classées en application du même paragraphe.
2. Additionner les nombres obtenus en application de la disposition 1 pour les établissements secondaires du conseil.
3. Soustraire le total obtenu en application de la disposition 2 de la capacité d'accueil au secondaire calculée pour le conseil en application du paragraphe (15).

(20) Le paragraphe (21) ou (22) s'applique à l'égard d'un établissement élémentaire ou secondaire du conseil si :

- a) d'une part, le conseil en fait l'acquisition par suite d'une proposition d'aliénation de l'établissement, sans contrepartie, présentée par un autre conseil, au plus tôt le 1<sup>er</sup> janvier 2004 mais avant le 17 février 2005, en vertu du Règlement de l'Ontario 444/98;
- b) d'autre part, les paragraphes (26) et (27) ne s'appliquent pas à l'établissement.

(21) La capacité d'accueil à l'élémentaire calculée pour le conseil en application du paragraphe (15) est redressée de la manière suivante :

1. Pour chaque établissement élémentaire du conseil auquel s'applique le présent paragraphe, appliquer les charges établies en application du paragraphe (16) aux aires d'enseignement de l'établissement, classées en application du même paragraphe.
2. Additionner les nombres obtenus en application de la disposition 1 pour les établissements élémentaires du conseil.
3. Additionner le total obtenu en application de la disposition 2 et la capacité d'accueil à l'élémentaire calculée pour le conseil en application du paragraphe (15).

(22) La capacité d'accueil au secondaire calculée pour le conseil en application du paragraphe (15) est redressée de la manière suivante :

1. Pour chaque établissement secondaire du conseil auquel s'applique le présent paragraphe, appliquer les charges établies en application du paragraphe (16) aux aires d'enseignement de l'établissement, classées en application du même paragraphe.
2. Additionner les nombres obtenus en application de la disposition 1 pour les établissements secondaires du conseil.
3. Additionner le total obtenu en application de la disposition 2 et la capacité d'accueil au secondaire calculée pour le conseil en application du paragraphe (15).

(23) Le paragraphe (26) ou (27) s'applique à l'égard d'un établissement élémentaire ou secondaire du conseil si les conditions suivantes sont réunies :

1. Le conseil en fait l'acquisition par suite d'une proposition d'aliénation de l'établissement, sans contrepartie, présentée par un autre conseil, au plus tôt le 1<sup>er</sup> janvier 2004 mais avant le 17 février 2005, en vertu du Règlement de l'Ontario 444/98.
2. Au plus tard 30 jours après avoir offert d'acquérir l'établissement sans contrepartie, le conseil en avise le ministre par écrit et lui fournit les renseignements et documents qu'il exige pour s'assurer que l'acquisition de l'établissement réunit les conditions suivantes :
  - i. elle est conforme aux projets à long terme du conseil en matière d'installations d'accueil,
  - ii. elle profiterait aux élèves du conseil,
  - iii. elle entraînerait une utilisation plus efficace des biens publics,
  - iv. elle réduirait le besoin du conseil en matière de construction de nouvelles installations scolaires.

(24) Le paragraphe (26) s'applique à l'égard d'une école élémentaire du conseil si l'école fournit des installations d'accueil pour élèves de l'élémentaire au cours de l'exercice et qu'elle est située dans une municipalité ou ancienne municipalité indiquée à la colonne 2 du tableau 12 du règlement sur les subventions de 2004-2005 en regard du nom du conseil à la colonne 1 de ce tableau, et en regard d'un nombre supérieur à zéro à la colonne 4 du même tableau.

(25) Le paragraphe (27) s'applique à l'égard d'une école secondaire du conseil si l'école fournit des installations d'accueil pour élèves du secondaire au cours de l'exercice et qu'elle est située dans une municipalité ou ancienne municipalité indiquée à la colonne 2 du tableau 12 du règlement sur les subventions de 2004-2005 en regard du nom du conseil à la colonne 1 de ce tableau, et en regard d'un nombre supérieur à zéro à la colonne 5 du même tableau.

(26) La capacité d'accueil à l'élémentaire calculée pour le conseil en application du paragraphe (15) est redressée de la manière suivante :

1. Pour chaque école élémentaire à laquelle s'applique le présent paragraphe, appliquer les charges établies en application du paragraphe (16) aux aires d'enseignement de l'école, classées en application du même paragraphe.
2. Calculer l'effectif quotidien moyen de jour des élèves du conseil pour 2005-2006, en ne comptant que les élèves inscrits à cette école.
3. Prendre le moindre du nombre calculé pour l'école en application de la disposition 1 et de celui calculé pour l'école en application de la disposition 2.
4. Additionner les nombres obtenus en application de la disposition 3 pour chaque école élémentaire à laquelle s'applique le présent paragraphe.
5. Additionner le total obtenu en application de la disposition 4 et la capacité d'accueil à l'élémentaire calculée pour le conseil en application du paragraphe (15).

(27) La capacité d'accueil au secondaire calculée pour le conseil en application du paragraphe (15) est redressée de la manière suivante :

1. Pour chaque école secondaire à laquelle s'applique le présent paragraphe, appliquer les charges établies en application du paragraphe (16) aux aires d'enseignement de l'école, classées en application du même paragraphe.
2. Calculer l'effectif quotidien moyen de jour des élèves du conseil pour 2005-2006, en ne comptant que les élèves inscrits à cette école.
3. Prendre le moindre du nombre calculé pour l'école en application de la disposition 1 et de celui calculé pour l'école en application de la disposition 2.
4. Additionner les nombres obtenus en application de la disposition 3 pour chaque école secondaire à laquelle s'applique le présent paragraphe.
5. Additionner le total obtenu en application de la disposition 4 et la capacité d'accueil au secondaire calculée pour le conseil en application du paragraphe (15).

(28) Le paragraphe (29) ou (30) s'applique à l'égard d'un établissement élémentaire ou secondaire d'un conseil si les conditions suivantes sont réunies :

- a) au cours de l'année civile 2004, le conseil s'est entendu avec un autre conseil pour aliéner l'établissement élémentaire ou secondaire en faveur de l'autre conseil, à condition que ce dernier lui transfère un de ses établissements élémentaires ou secondaires;
- b) avant la conclusion de l'entente visée à l'alinéa a), le ministre a indiqué par écrit qu'à son avis le transfert prévu par l'entente :
  - (i) était conforme aux projets à long terme des deux conseils en matière d'installations d'accueil,
  - (ii) profiterait aux élèves des deux conseils,
  - (iii) entraînerait une utilisation plus efficace des biens publics,
  - (iv) réduirait le besoin des deux conseils en matière de construction de nouvelles installations scolaires.

(29) La capacité d'accueil à l'élémentaire calculée pour le conseil en application du paragraphe (15) est redressée de la manière suivante :

1. Pour chaque établissement élémentaire du conseil auquel s'applique le présent paragraphe, appliquer les charges établies en application du paragraphe (16) aux aires d'enseignement de l'établissement, classées en application du même paragraphe.
2. Additionner les résultats obtenus en application de la disposition 1 pour tous les établissements élémentaires du conseil.
3. Soustraire le total calculé en application de la disposition 2 de la capacité d'accueil à l'élémentaire calculée pour le conseil en application du paragraphe (15).

(30) La capacité d'accueil au secondaire calculée pour le conseil en application du paragraphe (15) est redressée de la manière suivante :

1. Pour chaque établissement secondaire du conseil auquel s'applique le présent paragraphe, appliquer les charges établies en application du paragraphe (16) aux aires d'enseignement de l'établissement, classées en application du même paragraphe.
2. Additionner les résultats obtenus en application de la disposition 1 pour tous les établissements secondaires du conseil.
3. Soustraire le total calculé en application de la disposition 2 de la capacité d'accueil au secondaire calculée pour le conseil en application du paragraphe (15).

(31) Le paragraphe (32) ou (33) s'applique à l'égard d'un établissement élémentaire ou secondaire d'un conseil qui est acquis dans les circonstances mentionnées au paragraphe (28).

(32) La capacité d'accueil à l'élémentaire calculée pour le conseil en application du paragraphe (15) est redressée de la manière suivante :

1. Pour chaque établissement élémentaire du conseil acquis dans les circonstances mentionnées au paragraphe (28), appliquer les charges établies en application du paragraphe (16) aux aires d'enseignement de l'établissement, classées en application du même paragraphe.
2. Calculer l'effectif de 2005-2006 éventuel de l'établissement.
3. Soustraire le résultat obtenu en application de la disposition 2 de celui obtenu en application de la disposition 1. Une différence négative est réputée nulle.
4. Additionner les résultats obtenus en application de la disposition 3 pour tous les établissements élémentaires du conseil.
5. Soustraire le total calculé en application de la disposition 4 de la capacité d'accueil à l'élémentaire calculée pour le conseil en application du paragraphe (15).

(33) La capacité d'accueil au secondaire calculée pour le conseil en application du paragraphe (15) est redressée de la manière suivante :

1. Pour chaque établissement secondaire du conseil acquis dans les circonstances mentionnées au paragraphe (28), appliquer les charges établies en application du paragraphe (16) aux aires d'enseignement de l'établissement, classées en application du même paragraphe.
2. Calculer l'effectif de 2005-2006 éventuel de l'établissement.
3. Soustraire le résultat obtenu en application de la disposition 2 de celui obtenu en application de la disposition 1. Une différence négative est réputée nulle.
4. Additionner les résultats obtenus en application de la disposition 3 pour tous les établissements secondaires du conseil.
5. Soustraire le total calculé en application de la disposition 4 de la capacité d'accueil au secondaire calculée pour le conseil en application du paragraphe (15).

(34) Si le conseil a acquis un établissement élémentaire après le 31 décembre 1998, mais avant le début de l'exercice, dans les circonstances mentionnées au paragraphe (28), sa capacité d'accueil à l'élémentaire calculée pour le conseil en application du paragraphe (15) est redressée de la manière suivante :

1. Pour chaque établissement élémentaire acquis, appliquer les charges établies en application du paragraphe (16) aux aires d'enseignement de l'établissement, classées en application du même paragraphe.
2. Calculer l'effectif de 2005-2006 éventuel de l'établissement.
3. Soustraire la somme obtenue en application de la disposition 2 de celle obtenue en application de la disposition 1. Une différence négative est réputée nulle.
4. Additionner les sommes obtenues en application de la disposition 3 pour chaque établissement élémentaire acquis.
5. Soustraire la somme obtenue en application de la disposition 4 du total de celles obtenues pour le conseil en application des dispositions comparables au présent paragraphe qui figurent dans les règlements pris en application de l'article 234 de la Loi à l'égard des subventions payables aux conseils pour des exercices antérieurs.
6. Additionner la différence obtenue en application de la disposition 5 et la capacité d'accueil à l'élémentaire calculée pour le conseil en application du paragraphe (15).

(35) Si le conseil a acquis un établissement secondaire après le 31 décembre 1998, mais avant le début de l'exercice, dans les circonstances mentionnées au paragraphe (28), sa capacité d'accueil au secondaire calculée pour le conseil en application du paragraphe (15) est redressée de la manière suivante :

1. Pour chaque établissement secondaire acquis, appliquer les charges établies en application du paragraphe (16) aux aires d'enseignement de l'établissement, classées en application du même paragraphe.

2. Calculer l'effectif de 2005-2006 éventuel de l'établissement.
3. Soustraire la somme obtenue en application de la disposition 2 de celle obtenue en application de la disposition 1. Une différence négative est réputée nulle.
4. Additionner les sommes obtenues en application de la disposition 3 pour chaque établissement secondaire acquis.
5. Soustraire la somme obtenue en application de la disposition 4 du total de celles obtenues pour le conseil en application des dispositions comparables au présent paragraphe qui figurent dans les règlements pris en application de l'article 234 de la Loi à l'égard des subventions payables aux conseils pour des exercices antérieurs.
6. Additionner la différence obtenue en application de la disposition 5 et la capacité d'accueil au secondaire calculée pour le conseil en application du paragraphe (15).

(36) La capacité d'accueil à l'élémentaire calculée pour le conseil en application du paragraphe (15) est redressée en ajoutant le nombre éventuel de nouvelles places calculé en application du paragraphe (11) par suite de l'augmentation de l'effectif à l'élémentaire.

(37) La capacité d'accueil au secondaire calculée pour le conseil en application du paragraphe (15) est redressée en ajoutant le nombre éventuel de nouvelles places calculé en application du paragraphe (13) par suite de l'augmentation de l'effectif au secondaire.

(38) Le paragraphe (39) s'applique à l'égard d'un établissement élémentaire du conseil visé dans une disposition comparable au paragraphe (23) ou (24) dans les règlements pris en application de l'article 234 de la Loi relativement aux subventions payables aux conseils pour des exercices antérieurs.

(39) La capacité d'accueil à l'élémentaire calculée pour le conseil en application du paragraphe (15) est redressée de la manière suivante :

1. Pour chaque établissement élémentaire auquel s'applique le présent paragraphe, appliquer les charges établies en application du paragraphe (16) aux aires d'enseignement de l'établissement, classées en application du même paragraphe.
2. Calculer l'effectif quotidien moyen de jour des élèves du conseil pour 2005-2006, en ne comptant que les élèves inscrits à cet établissement.
3. Soustraire la somme obtenue en application de la disposition 2 de celle obtenue pour l'établissement en application de la disposition 1. Une différence négative est réputée nulle.
4. Additionner les sommes obtenues en application de la disposition 3 pour chaque établissement élémentaire auquel s'applique le présent paragraphe.
5. Soustraire la somme obtenue en application de la disposition 4 du total de celles obtenues pour les exercices antérieurs pour le conseil en application des dispositions comparables au paragraphe (26) qui figurent dans les règlements pris en application de l'article 234 de la Loi à l'égard des subventions payables aux conseils pour des exercices antérieurs.
6. Additionner la différence obtenue en application de la disposition 5 et la capacité d'accueil à l'élémentaire calculée pour le conseil en application du paragraphe (15).

(40) Le paragraphe (41) s'applique à l'égard d'un établissement secondaire du conseil visé dans une disposition comparable au paragraphe (23) ou (25) dans les règlements pris en application de l'article 234 de la Loi relativement aux subventions payables aux conseils pour des exercices antérieurs.

(41) La capacité d'accueil au secondaire calculée pour le conseil en application du paragraphe (15) est redressée de la manière suivante :

1. Pour chaque établissement secondaire auquel s'applique le présent paragraphe, appliquer les charges établies en application du paragraphe (16) aux aires d'enseignement de l'établissement, classées en application du même paragraphe.
2. Calculer l'effectif quotidien moyen de jour des élèves du conseil pour 2005-2006, en ne comptant que les élèves inscrits à cet établissement.
3. Soustraire la somme obtenue en application de la disposition 2 de celle obtenue pour l'établissement en application de la disposition 1. Une différence négative est réputée nulle.
4. Additionner les sommes obtenues en application de la disposition 3 pour chaque établissement secondaire auquel s'applique le présent paragraphe.
5. Soustraire la somme obtenue en application de la disposition 4 du total de celles obtenues pour les exercices antérieurs pour le conseil en application des dispositions comparables au paragraphe (27) qui figurent dans les règlements pris en application de l'article 234 de la Loi à l'égard des subventions payables aux conseils pour des exercices antérieurs.

6. Additionner la différence obtenue en application de la disposition 5 et la capacité d'accueil au secondaire calculée pour le conseil en application du paragraphe (15).

(42) La somme liée aux engagements d'immobilisations non réalisés qui est versée au conseil est calculée de la manière suivante :

1. Prendre le nombre de places à l'élémentaire qui figure à la colonne 2 du tableau 16, en regard du nom du conseil.
2. Multiplier le nombre pris en application de la disposition 1 par la superficie repère requise par élève de 9,29 mètres carrés.
3. Multiplier le produit obtenu en application de la disposition 2 par le coût repère de construction de nouvelles écoles, avant septembre 2004, de 118,40 \$ le mètre carré.
4. Prendre le nombre de places au secondaire qui figure à la colonne 3 du tableau 16, en regard du nom du conseil.
5. Multiplier le nombre pris en application de la disposition 4 par la superficie repère requise par élève de 12,07 mètres carrés.
6. Multiplier le produit obtenu en application de la disposition 5 par le coût repère de construction de nouvelles écoles, avant septembre 2004, de 129,17 \$ le mètre carré.
7. Additionner les produits obtenus en application des dispositions 3 et 6.

(43) Pour l'application de la disposition 16 du paragraphe (3) et de la disposition 14 du paragraphe (9), la capacité d'accueil d'une école élémentaire est calculée en appliquant les charges établies en application du paragraphe (16) aux aires d'enseignement de l'école, classées en application du même paragraphe, et en multipliant le nombre obtenu par 0,9631.

(44) Pour l'application de la disposition 27 du paragraphe (3) et de la disposition 25 du paragraphe (9), la capacité d'accueil d'une école secondaire est calculée en appliquant les charges établies en application du paragraphe (16) aux aires d'enseignement de l'école, classées en application du même paragraphe.

(45) Les définitions qui suivent s'appliquent au présent article.

«aire d'enseignement» Espace dans une école qui peut raisonnablement être utilisé aux fins de l'enseignement. («instructional space»)

«capacité d'accueil déclarée pour 2003-2004» Relativement à une école qui relève d'un conseil, la capacité d'accueil déclarée à l'annexe C des états financiers de 2003-2004 que le conseil a préparés et présentés au ministère en application de la Loi. («2003-2004 reported capacity»)

«capacité d'accueil déclarée pour 2004-2005» Relativement à une école qui relève d'un conseil, la capacité d'accueil déclarée à l'annexe C des états financiers de 2004-2005 que le conseil a préparés et présentés au ministère en application de la Loi. («2004-2005 reported capacity»)

«effectif de 2003-2004» Relativement à une école qui relève d'un conseil, l'effectif quotidien moyen de jour des élèves du conseil pour 2003-2004, au sens du règlement sur les subventions de 2003-2004, calculé en ne comptant que les élèves inscrits à l'école. («2003-2004 enrolment»)

«effectif de 2004-2005» Relativement à une école qui relève d'un conseil, l'effectif quotidien moyen de jour des élèves du conseil pour 2004-2005, au sens du Règlement de l'Ontario 143/04 («Calcul de l'effectif quotidien moyen pour l'exercice 2004-2005 des conseils scolaires») pris en application de la Loi, calculé en ne comptant que les élèves inscrits à l'école. («2004-2005 enrolment»)

«effectif de 2005-2006» Relativement à une école qui relève d'un conseil, l'effectif quotidien moyen de jour des élèves du conseil pour 2005-2006, calculé en ne comptant que les élèves inscrits à l'école. («2005-2006 enrolment»)

«établissement élémentaire» Établissement qui est ou a été une école élémentaire d'un conseil. («elementary facility»)

«établissement secondaire» Établissement qui est ou a été une école secondaire d'un conseil. («secondary facility»)

#### **Élément service de la dette**

**37.** (1) L'élément service de la dette d'un conseil scolaire de district pour l'exercice correspond au total des sommes suivantes :

- a) le montant total de principal et d'intérêts que le conseil verse au cours de l'exercice à l'égard de sa dette avec financement permanent;
- b) le montant total payable au cours de l'exercice à l'égard du financement qui découle des dispositions prises en vue de refinancer la dette sans financement permanent du conseil, y compris les paiements qui doivent être effectués au cours de l'exercice dans un compte de réserve ou un fonds d'amortissement et le montant des dépenses raisonnables.

(2) Les définitions qui suivent s'appliquent au présent article.

«dette avec financement permanent» À l'égard d'un conseil, la somme qui figure à la colonne 2 du tableau 17 en regard du nom du conseil. («permanently financed debt»)

«dette sans financement permanent» À l'égard d'un conseil, la somme qui figure à la colonne 3 du tableau 17 en regard du nom du conseil. («non-permanently financed debt»)

**Redressement pour baisse des effectifs**

**38.** (1) Pour l'application du présent article, l'effectif quotidien moyen de jour d'un conseil pour 2005-2006 correspond à ce qui suit :

- a) dans le cas d'un conseil qui n'a pas fait fonctionner de maternelle dans ses écoles au cours de son exercice 2004-2005 :
  - (i) sous réserve du sous-alinéa (ii), l'effectif quotidien moyen de jour du conseil qui serait calculé en application de l'article 2 du règlement sur l'effectif quotidien moyen de 2005-2006 en comptant tous les élèves du conseil à l'exclusion de ceux inscrits en maternelle et des élèves du secondaire âgés de 21 ans ou plus de 31 décembre 2005,
  - (ii) pour l'application de la disposition 2 du paragraphe (5) uniquement, l'effectif quotidien moyen de jour pour 2005-2006 au sens du paragraphe 3 (1);
- b) dans les autres cas, l'effectif quotidien moyen de jour pour 2005-2006 au sens du paragraphe 3 (1).

(2) Pour l'application de l'article 11, la somme liée au redressement pour baisse des effectifs qui est versée à un conseil scolaire de district pour l'exercice correspond au total de ce qui suit :

- a) la somme éventuelle calculée en application de l'article 39 du règlement sur les subventions de 2004-2005;
- b) si l'effectif quotidien moyen de jour des élèves du conseil pour 2005-2006 est inférieur à celui de 2004-2005, calculé en application de l'article 2 du Règlement de l'Ontario 143/04 («Calcul de l'effectif quotidien moyen pour l'exercice 2004-2005 des conseils scolaires») pris en application de la Loi, la somme, si elle est supérieure à zéro, calculée conformément au paragraphe (3).

(3) Pour l'application de l'alinéa (2) b), la somme correspond à la somme calculée selon la formule suivante :

$$[(A - B) - 0,58(A \times C)] \times D/C$$

où :

«A» représente la somme calculée pour le conseil en application du paragraphe (4);

«B» représente la somme calculée pour le conseil en application du paragraphe (5);

«C» représente la somme calculée pour le conseil en application du paragraphe (6);

«D» représente la somme calculée pour le conseil en application du paragraphe (7).

(4) La somme calculée pour un conseil en application du présent paragraphe correspond au total des sommes suivantes calculées pour le conseil pour son exercice 2004-2005 en application du règlement sur les subventions de 2004-2005 :

1. L'élément éducation de base pour l'exercice.
2. La somme liée à l'éducation de l'enfance en difficulté fondée sur l'effectif pour l'exercice.
3. Dans le cas d'un conseil scolaire de district de langue française, la somme liée aux programmes de français langue première comprise dans l'élément enseignement des langues du conseil pour l'exercice.
4. L'élément conseils ruraux et éloignés pour l'exercice.
5. La somme liée à l'aide à l'apprentissage durant les premières années d'études comprise dans l'élément programmes d'aide à l'apprentissage pour l'exercice.
6. L'élément apprentissage durant les premières années d'études pour l'exercice.
7. L'élément administration et gestion pour l'exercice.
8. Le total des sommes calculées en application des dispositions 15, 17, 19, 21 et 23 du paragraphe 37 (3) du règlement sur les subventions de 2004-2005, déduction faite de la somme calculée selon la formule suivante :

$$(A \times B) \times 9,29 \times 61,61 \$$$

où :

«A» représente le nombre obtenu à l'égard du conseil en application de la disposition 7 du paragraphe 37 (3) du règlement sur les subventions de 2004-2005;



«B» représente le facteur relatif à la superficie supplémentaire liée à l'éducation permanente et autres programmes que le ministre approuve pour le conseil en application du paragraphe 37 (6) du règlement sur les subventions de 2004-2005.

(5) La somme calculée pour un conseil en application du présent paragraphe correspond à la somme calculée pour son exercice 2005-2006 de la manière suivante :

1. Additionner :

- i. l'élément éducation de base pour l'exercice,
- ii. la somme liée à l'éducation de l'enfance en difficulté fondée sur l'effectif pour l'exercice,
- iii. dans le cas d'un conseil scolaire de district de langue française, la somme liée aux programmes de français langue première comprise dans l'élément enseignement des langues du conseil pour l'exercice,
- iv. l'élément conseils ruraux et éloignés pour l'exercice,
- v. la somme liée à l'aide à l'apprentissage durant les premières années d'études comprise dans l'élément programmes d'aide à l'apprentissage pour l'exercice,
- vi. l'élément administration et gestion pour l'exercice,
- vii. le total des sommes calculées en application des dispositions 15, 17, 21, 26, 28, 32 et 37 du paragraphe 36 (3), déduction faite de la somme calculée selon la formule suivante :

$$(A \times B) \times 9,29 \times 62,84 \$$$

où :

«A» représente le nombre obtenu à l'égard du conseil en application de la disposition 7 du paragraphe 36 (3);

«B» représente le facteur relatif à la superficie supplémentaire liée à l'éducation permanente et autres programmes que le ministre approuve pour le conseil en application du paragraphe 36 (6).

2. Soustraire du total obtenu en application de la disposition 1 le produit obtenu en multipliant l'effectif quotidien moyen de jour des élèves du conseil pour 2005-2006 par la somme indiquée à la colonne 2 du tableau 18 en regard du nom du conseil à la colonne 1 de ce tableau.

(6) La somme calculée pour un conseil en application du présent paragraphe correspond à la somme calculée selon la formule suivante :

$$1 - E/F$$

où :

«E» représente l'effectif quotidien moyen de jour des élèves du conseil pour 2005-2006;

«F» représente l'effectif quotidien moyen de jour des élèves du conseil pour 2004-2005, calculé en application de l'article 2 du Règlement de l'Ontario 143/04 («Calcul de l'effectif quotidien moyen pour l'exercice 2004-2005 des conseils scolaires») pris en application de la Loi;

«E/F» est arrondi à la cinquième décimale.

(7) La somme calculée pour un conseil en application du présent paragraphe correspond à la somme calculée de la manière suivante :

1. Si la somme calculée pour le conseil en application du paragraphe (6) ne dépasse pas 0,0025, la somme calculée pour le conseil en application du présent paragraphe correspond à la somme calculée selon la formule suivante :

$$0,5 \times C$$

où :

«C» correspond à la somme calculée pour le conseil en application du paragraphe (6).

2. Si la somme calculée pour le conseil en application du paragraphe (6) est supérieure à 0,0025 mais ne dépasse pas 0,015, la somme calculée pour le conseil en application du présent paragraphe correspond à la somme calculée selon la formule suivante :

$$(C - 0,0025) + 0,00125$$

où :

«C» correspond à la somme calculée pour le conseil en application du paragraphe (6).

3. Si la somme calculée pour le conseil en application du paragraphe (6) est supérieure à 0,015, la somme calculée pour le conseil en application du présent paragraphe correspond à la somme calculée selon la formule suivante :

$$1,5 \times (C - 0,015) + 0,01375$$

où :

«C» correspond à la somme calculée pour le conseil en application du paragraphe (6).

#### Conformité

**39.** Chaque conseil scolaire de district est tenu de gérer son processus d'établissement des prévisions budgétaires et ses dépenses de façon conforme aux exigences des articles 40 à 44.

#### Enveloppes, dépenses liées aux classes

- 40.** (1) Pour l'application du présent article :
- a) constitue une dépense liée aux classes la dépense du conseil qui est classée comme telle dans le plan comptable uniforme du ministère, daté du 8 juin 2005, que le public peut consulter aux bureaux de la Direction du financement de l'éducation du ministère de l'Éducation à l'Édifice Mowat, 21<sup>e</sup> étage, 900, rue Bay, Toronto (Ontario) M7A 1L2;
  - b) constitue une dépense non liée aux classes la dépense du conseil qui est classée comme telle dans le plan comptable uniforme du ministère, daté du 8 juin 2005, que le public peut consulter aux bureaux de la Direction du financement de l'éducation du ministère de l'Éducation à l'Édifice Mowat, 21<sup>e</sup> étage, 900, rue Bay, Toronto (Ontario) M7A 1L2.
- (2) Sous réserve du paragraphe (7), un conseil scolaire de district fait en sorte que ses dépenses nettes liées aux classes pour l'exercice, calculées conformément au paragraphe (3), soient au moins égales à ses dépenses liées aux classes pour l'exercice, calculées conformément au paragraphe (5).
- (3) Les dépenses nettes liées aux classes d'un conseil pour l'exercice sont calculées de la manière suivante :
1. Calculer les dépenses totales liées aux classes du conseil pour l'exercice.
  2. Soustraire les recettes liées aux classes qui proviennent de sources autres que des subventions générales et des impôts scolaires, calculées pour le conseil en application du paragraphe (4).
  3. Additionner la part de la somme visée au paragraphe 233 (1) de la Loi qui se trouve dans le fonds de réserve du conseil le 31 août 2006, avant le virement prévu au paragraphe 233 (2) de la Loi, qui est imputable aux dépenses liées aux classes.
- (4) Les recettes liées aux classes qui proviennent de sources autres que des subventions générales et des impôts scolaires du conseil correspondent au total des sommes suivantes :
1. Le pourcentage des recettes du conseil calculées en application des articles 3, 5 et 6 du règlement sur les droits de 2005-2006 que le conseil déclare comme des recettes liées aux classes dans les états financiers annuels qu'il présente au ministère pour l'exercice 2005-2006.
  2. Le total des sommes affectées aux dépenses liées aux classes, prélevées sur les réserves du conseil pendant l'exercice.
  3. Les recettes provenant d'autres sources que reçoit le conseil pendant l'exercice, autres que les recettes visées à la disposition 1, qui sont affectées pendant cet exercice à des dépenses qui sont des dépenses liées aux classes au sens du présent article.
- (5) Les dépenses liées aux classes d'un conseil pour l'exercice sont calculées de la manière suivante :
1. Multiplier le pourcentage indiqué à la colonne 2 du tableau 19 pour l'élément éducation de base par la somme de base du conseil qui vise les élèves de l'élémentaire.
  2. Multiplier le pourcentage indiqué à la colonne 3 du tableau 19 pour l'élément éducation de base par la somme de base du conseil qui vise les élèves du secondaire.
  3. Prendre la part de la somme liée à l'élément effectif des classes du cycle primaire du conseil qui est imputable aux dépenses liées aux classes.
  4. Calculer pour le conseil une somme liée aux programmes de langue autochtone et de français langue première ou langue seconde pour les élèves de l'élémentaire de la manière suivante :
    - i. Dans le cas d'un conseil scolaire de district de langue anglaise, additionner la somme liée aux programmes de français langue seconde et la somme liée aux programmes de langue autochtone, toutes deux calculées pour les élèves de l'élémentaire du conseil pour l'exercice.
    - ii. Dans le cas d'un conseil scolaire de district de langue française, additionner les sommes calculées pour le conseil en application des dispositions 1 et 3 de l'article 27 et la somme liée aux programmes de langue autochtone du conseil pour l'exercice qui vise ses élèves de l'élémentaire.

5. Appliquer le pourcentage indiqué à la colonne 2 du tableau 19 pour les sommes liées aux programmes de langue autochtone et de français langue première ou langue seconde à la somme calculée pour le conseil en application de la disposition 4.
6. Calculer pour le conseil une somme liée aux programmes de langue autochtone et de français langue première ou langue seconde pour les élèves du secondaire de la manière suivante :
  - i. Dans le cas d'un conseil scolaire de district de langue anglaise, additionner la somme liée aux programmes de français langue seconde et la somme liée aux programmes de langue autochtone, toutes deux calculées pour les élèves du secondaire du conseil pour l'exercice.
  - ii. Dans le cas d'un conseil scolaire de district de langue française, additionner la somme calculée pour le conseil en application de la disposition 2 de l'article 27 et la somme liée aux programmes de langue autochtone du conseil pour l'exercice qui vise ses élèves du secondaire.
7. Appliquer le pourcentage indiqué à la colonne 3 du tableau 19 pour les sommes liées aux programmes de langue autochtone et de français langue première ou langue seconde à la somme calculée pour le conseil en application de la disposition 6.
8. Calculer une somme liée aux programmes d'ESL/ESD/PDF pour les élèves de l'élémentaire du conseil en prenant la part du niveau de financement des programmes de PDF qui vise ses élèves de l'élémentaire, dans le cas d'un conseil scolaire de district de langue française, et de la manière suivante, dans le cas d'un conseil scolaire de district de langue anglaise :
  - i. Diviser la somme indiquée à la colonne 2 du tableau 1 en regard du nom du conseil par l'effectif quotidien moyen de jour de ses élèves pour 2005-2006 et multiplier le résultat par l'effectif quotidien moyen de jour de ses élèves de l'élémentaire pour 2005-2006.
  - ii. Soustraire la somme indiquée à la colonne 2 du tableau 1 en regard du nom du conseil de la somme liée aux programmes d'ESL/ESD qui est versée au conseil.
  - iii. Ajouter la somme calculée en application de la sous-disposition i à la portion de la somme calculée en application de la sous-disposition ii qui vise les élèves de l'élémentaire du conseil.
9. Appliquer le pourcentage indiqué à la colonne 2 du tableau 19 pour la somme liée aux programmes d'ESL/ESD/PDF à la somme calculée pour le conseil en application de la disposition 8.
10. Calculer une somme liée aux programmes d'ESL/ESD/PDF pour les élèves du secondaire du conseil en prenant la part du niveau de financement des programmes de PDF qui vise ses élèves du secondaire, dans le cas d'un conseil scolaire de district de langue française, et de la manière suivante, dans le cas d'un conseil scolaire de district de langue anglaise :
  - i. Diviser la somme indiquée à la colonne 2 du tableau 1 en regard du nom du conseil par l'effectif quotidien moyen de jour de ses élèves pour 2005-2006 et multiplier le résultat par l'effectif quotidien moyen de jour de ses élèves du secondaire pour 2005-2006.
  - ii. Soustraire la somme indiquée à la colonne 2 du tableau 1 en regard du nom du conseil de la somme liée aux programmes d'ESL/ESD qui est versée au conseil.
  - iii. Ajouter la somme calculée en application de la sous-disposition i à la portion de la somme calculée en application de la sous-disposition ii qui vise les élèves du secondaire du conseil.
11. Appliquer le pourcentage précisé à la colonne 3 du tableau 19 pour la somme liée aux programmes d'ESL/ESD/PDF à la somme calculée pour le conseil en application de la disposition 10.
12. Dans le cas d'un conseil scolaire de district de langue française, calculer une somme liée aux programmes d'ALF pour les élèves de l'élémentaire du conseil de la manière suivante :
  - i. Diviser 86 745,90 \$ par l'effectif quotidien moyen de jour des élèves du conseil pour 2005-2006 et multiplier le quotient par l'effectif quotidien moyen de jour des élèves de l'élémentaire du conseil pour 2005-2006.
  - ii. Ajouter la somme calculée en application de la disposition 2 du paragraphe 28 (2) à la somme calculée en application de la sous-disposition i.
  - iii. Ajouter la somme calculée en application de la disposition 3 du paragraphe 28 (2) à la somme calculée en application de la sous-disposition ii.
13. Multiplier la somme calculée pour le conseil en application de la disposition 12 par le pourcentage indiqué à la colonne 2 du tableau 19 au titre des programmes d'ALF.
14. Dans le cas d'un conseil scolaire de district de langue française, calculer une somme liée aux programmes d'ALF pour les élèves du secondaire du conseil de la manière suivante :

- i. Diviser 86 745,90 \$ par l'effectif quotidien moyen de jour des élèves du conseil pour 2005-2006 et multiplier le quotient par l'effectif quotidien moyen de jour des élèves du secondaire du conseil pour 2005-2006.
  - ii. Ajouter la somme calculée en application de la disposition 5 du paragraphe 28 (2) à la somme calculée en application de la sous-disposition i.
  - iii. Ajouter la somme calculée en application de la disposition 6 du paragraphe 28 (2) à la somme calculée en application de la sous-disposition ii.
15. Multiplier la somme calculée pour le conseil en application de la disposition 14 par le pourcentage indiqué à la colonne 3 du tableau 19 au titre des programmes d'ALF.
16. Prendre l'élément compétence et expérience des enseignants de l'élémentaire calculé en application du paragraphe 33 (12).
17. Diviser la somme indiquée à la colonne 2 du tableau 9 en regard du nom du conseil par l'effectif quotidien moyen de jour des élèves du conseil pour 2005-2006.
18. Multiplier la somme calculée en application de la disposition 17 par l'effectif quotidien moyen de jour des élèves de l'élémentaire du conseil pour 2005-2006.
19. Prendre la part de la somme calculée en application de la disposition 18 qui est imputable aux dépenses liées aux classes.
20. Prendre l'élément compétence et expérience des enseignants du secondaire calculé en application du paragraphe 33 (13).
21. Diviser la somme indiquée à la colonne 2 du tableau 9 en regard du conseil du conseil par l'effectif quotidien moyen de jour des élèves de ce conseil pour 2005-2006.
22. Multiplier la somme calculée en application de la disposition 21 par l'effectif quotidien moyen de jour des élèves du secondaire du conseil pour 2005-2006.
23. Prendre la part de la somme calculée en application de la disposition 22 qui est imputable aux dépenses liées aux classes.
24. Prendre la part de la somme liée à l'élément éducation de l'enfance en difficulté du conseil qui vise ses élèves de l'élémentaire et qui est imputable aux dépenses liées aux classes.
25. Prendre la part de la somme liée à l'élément éducation de l'enfance en difficulté du conseil qui vise ses élèves du secondaire et qui est imputable aux dépenses liées aux classes.
26. Calculer la somme de la manière suivante :
  - i. Prendre le total des sommes calculées pour chaque école élémentaire éloignée du conseil en application de la disposition 1 du paragraphe 29 (3) du règlement sur les subventions de 2003-2004.
  - ii. Ajouter le total des sommes éventuelles indiquées à la colonne 8 du tableau 4 en regard du nom de l'école élémentaire à la colonne 3 et du nom du conseil à la colonne 1.
  - iii. Soustraire le total des sommes éventuelles indiquées à la colonne 8 du tableau 3 en regard du nom de l'école élémentaire à la colonne 3 et du nom du conseil à la colonne 1.
  - iv. Soustraire la somme indiquée à la colonne 2 du tableau 20 en regard du nom du conseil à la colonne 1.
  - v. Prendre la part de la somme calculée en application de la sous-disposition iv qui est imputable aux dépenses liées aux classes.
27. Calculer la somme de la manière suivante :
  - i. Prendre le total des sommes calculées pour chaque école secondaire éloignée du conseil en application de la disposition 2 du paragraphe 29 (3) du règlement sur les subventions de 2003-2004.
  - ii. Ajouter le total des sommes éventuelles indiquées à la colonne 8 du tableau 4 en regard du nom de l'école secondaire à la colonne 4 et du nom du conseil à la colonne 1.
  - iii. Soustraire le total des sommes éventuelles indiquées à la colonne 8 du tableau 3 en regard du nom de l'école secondaire à la colonne 4 et du nom du conseil à la colonne 1.
  - iv. Prendre la part de la somme calculée en application de la sous-disposition iii qui est imputable aux dépenses liées aux classes.
28. Diviser le montant de l'élément conseils ruraux et éloignés du conseil pour l'exercice par l'effectif quotidien moyen de jour des élèves du conseil pour 2005-2006 et multiplier le résultat par l'effectif quotidien moyen de jour des élèves de l'élémentaire du conseil pour 2005-2006.

29. Appliquer le pourcentage indiqué à la colonne 2 du tableau 19 pour l'élément conseils ruraux et éloignés au montant calculé pour le conseil en application de la disposition 28.
30. Diviser le montant de l'élément conseils ruraux et éloignés du conseil pour l'exercice par l'effectif quotidien moyen de jour des élèves du conseil pour 2005-2006 et multiplier le résultat par l'effectif quotidien moyen de jour des élèves du secondaire du conseil pour 2005-2006.
31. Appliquer le pourcentage indiqué à la colonne 3 du tableau 19 pour l'élément conseils ruraux et éloignés au montant calculé pour le conseil en application de la disposition 30.
32. Ajouter la somme obtenue pour le conseil en application de la disposition 1 du paragraphe 31 (1) à celle calculée à l'égard du conseil pour l'exercice en application de la disposition 4 du paragraphe 31 (4).
33. Additionner ce qui suit :
  - i. le produit obtenu en multipliant la somme obtenue en application de la disposition 32 par le quotient obtenu en divisant l'effectif quotidien moyen de jour des élèves de l'élémentaire du conseil pour 2005-2006 par l'effectif quotidien moyen de jour des élèves du conseil pour 2005-2006,
  - ii. le total des sommes obtenues pour le conseil pour l'exercice en application des dispositions 2 et 8 du paragraphe 31 (4),
  - iii. le produit obtenu en multipliant par 126 \$ l'effectif quotidien moyen de jour des élèves de l'élémentaire du conseil pour 2005-2006, en ne comptant que les élèves inscrits à la maternelle, au jardin d'enfants et aux première, deuxième et troisième années.
34. Appliquer le pourcentage indiqué à la colonne 2 du tableau 19 pour les programmes d'aide à l'apprentissage au total obtenu en application de la disposition 33.
35. Multiplier le total obtenu en application de la disposition 32 par le quotient obtenu en divisant l'effectif quotidien moyen de jour des élèves du secondaire du conseil pour 2005-2006 par l'effectif quotidien moyen de jour des élèves du conseil pour 2005-2006.
36. Additionner ce qui suit :
  - i. la somme obtenue en application de la disposition 35,
  - ii. le total des sommes obtenues pour le conseil pour l'exercice en application des dispositions 1 et 6 du paragraphe 31 (4).
37. Appliquer le pourcentage indiqué à la colonne 3 du tableau 19 pour les programmes d'aide à l'apprentissage au total obtenu en application de la disposition 36.
38. Multiplier par 2 528 \$ l'effectif calculé pour le conseil en application de la disposition 1 du paragraphe 32 (1) pour obtenir la somme liée à l'éducation des adultes de jour qui est versée au conseil.
39. Appliquer le pourcentage indiqué à la colonne 3 du tableau 19 pour l'éducation des adultes de jour à la somme calculée pour le conseil en application de la disposition 38.
40. Additionner les sommes calculées pour le conseil en application des dispositions 1, 3, 5 et 9, de la disposition 13, le cas échéant, et des dispositions 16, 19, 24, 26, 29 et 34.
41. Additionner les sommes calculées pour le conseil en application des dispositions 2, 7 et 11, de la disposition 15, le cas échéant, et des dispositions 20, 23, 25, 27, 31, 37 et 39.
42. Multiplier l'excédent de la somme calculée à l'égard du conseil en application de l'alinéa 45 a) sur la somme calculée à son égard en application de l'alinéa 45 b) par le rapport entre l'effectif quotidien moyen de jour des élèves de l'élémentaire du conseil pour 2005-2006 et l'effectif quotidien moyen de jour des élèves du conseil pour 2005-2006.
43. Multiplier la somme calculée en application de la disposition 42 par le pourcentage indiqué à la colonne 2 du tableau 19 pour l'élément éducation de base.
44. Déduire la somme calculée en application de la disposition 43 de celle calculée en application de la disposition 40.
45. Multiplier l'excédent de la somme calculée à l'égard du conseil en application de l'alinéa 45 a) sur la somme calculée à son égard en application de l'alinéa 45 b) par le rapport entre l'effectif quotidien moyen de jour des élèves du secondaire du conseil pour 2005-2006 et l'effectif quotidien moyen de jour des élèves du conseil pour 2005-2006.
46. Multiplier la somme calculée en application de la disposition 45 par le pourcentage indiqué à la colonne 3 du tableau 19 pour l'élément éducation de base.
47. Déduire la somme calculée en application de la disposition 46 de celle calculée en application de la disposition 41.
48. Faire le total des sommes calculées pour le conseil en application des dispositions 44 et 47.

49. Ajouter à la somme calculée en application de la disposition 48 la part éventuelle du fonds de flexibilité du conseil qui :

- i. d'une part, n'est pas affectée en application de la disposition 2 du paragraphe 44 (2),
- ii. d'autre part, est affectée par le conseil aux dépenses liées aux classes pour l'exercice.

(6) Si les dépenses liées aux classes pour l'exercice d'un conseil, calculées conformément au paragraphe (5), sont supérieures à ses dépenses nettes liées aux classes pour l'exercice, calculées conformément au paragraphe (3), le conseil est réputé se conformer au paragraphe (2) s'il peut prouver, dans les prévisions budgétaires qu'il a remises au ministère en application de l'alinéa 231 (11) c) de la Loi, que l'excédent se justifie :

- a) soit par des sommes versées dans un fonds de réserve pour dépenses liées aux classes;
- b) soit par des dépenses autres que des dépenses non liées aux classes.

(7) Pour l'application du paragraphe (6) :

- a) le pourcentage de toute somme versée dans le fonds de réserve pour l'éducation de l'enfance en difficulté du conseil au cours de l'exercice que le conseil déclare comme dépense liée aux classes dans les états financiers annuels qu'il présente au ministère est traité comme une somme versée dans un fonds de réserve pour dépenses liées aux classes pour l'application de l'alinéa (6) a);
- b) le pourcentage de toute somme versée dans le fonds de réserve pour les écoles éloignées du conseil au cours de l'exercice que le conseil déclare comme dépense liée aux classes dans les états financiers annuels qu'il présente au ministère est traité comme une somme versée dans un fonds de réserve pour dépenses liées aux classes pour l'application de l'alinéa (6) a);
- c) la somme versée au titre de la part du déficit d'un exercice antérieur ne constitue pas une dépense non liée aux classes si cette part est imputable aux dépenses liées aux classes pour l'application de l'alinéa (6) b).

#### **Dépenses obligatoires, éducation de l'enfance en difficulté**

**41.** (1) Sous réserve du paragraphe (2), le conseil scolaire de district fait en sorte que la somme qu'il affecte pendant l'exercice à des mesures d'éducation de l'enfance en difficulté pour ses élèves ne soit pas inférieure à la somme liée à l'élément éducation de l'enfance en difficulté qui est versée au conseil pour l'exercice.

(2) Si la dépense nette que le conseil affecte à des mesures d'éducation de l'enfance en difficulté pour ses élèves pendant l'exercice est inférieure à la somme exigée en application du paragraphe (1), le conseil verse la différence dans son fonds de réserve pour l'éducation de l'enfance en difficulté.

(3) Pour l'application du présent article, la dépense nette qu'un conseil affecte à des mesures d'éducation de l'enfance en difficulté pendant l'exercice est calculée de la manière suivante :

1. Additionner la part de la somme visée au paragraphe 233 (1) de la Loi qui se trouve dans le fonds de réserve du conseil le 31 août 2006, immédiatement avant le virement prévu au paragraphe 233 (2) de la Loi, qui est imputable à l'éducation de l'enfance en difficulté à la dépense qu'il affecte à des mesures d'éducation de l'enfance en difficulté pour ses élèves pendant l'exercice 2005-2006.
2. Déduire les sommes suivantes de la somme calculée en application de la disposition 1 :
  - i. Les sommes éventuelles virées du fonds de réserve du conseil pour l'éducation de l'enfance en difficulté pendant l'exercice.
  - ii. Les autres sommes éventuelles virées de réserves pendant l'exercice qui sont imputées à la dépense que le conseil affecte à des mesures d'éducation de l'enfance en difficulté pour ses élèves.
  - iii. Les recettes éventuelles provenant d'autres sources que le conseil reçoit pendant l'exercice et qu'il affecte pendant cet exercice à des mesures d'éducation de l'enfance en difficulté pour ses élèves.

(4) Le présent article ne doit pas être interprété de façon à limiter la somme que le conseil peut affecter à des mesures d'éducation de l'enfance en difficulté.

#### **Somme affectée par le conseil scolaire de district aux écoles rurales et écoles éloignées**

**42.** (1) Sous réserve du paragraphe (2), le conseil scolaire de district fait en sorte que la somme qu'il affecte pendant l'exercice aux fins énoncées au paragraphe (4) pour les écoles rurales et les écoles éloignées du conseil ne soit pas inférieure au total de ce qui suit :

- a) la somme calculée en soustrayant de la somme liée aux écoles rurales et aux écoles éloignées du conseil le total des sommes calculées en application des paragraphes 29 (2) et (3);
- b) le total des sommes calculées à l'égard du conseil en application des dispositions 21, 26, 31 et 37 du paragraphe 36 (3).

(2) Si la dépense nette que le conseil affecte à ses écoles rurales et ses écoles éloignées pendant l'exercice est inférieure à la somme exigée en application du paragraphe (1), le conseil verse la différence dans son fonds de réserve pour les écoles rurales et les écoles éloignées.

(3) Pour l'application du présent article, la dépense nette qu'un conseil affecte à ses écoles rurales et ses écoles éloignées pendant l'exercice est calculée de la manière suivante :

1. Additionner la part de la somme visée au paragraphe 233 (1) de la Loi qui se trouve dans le fonds de réserve du conseil le 31 août 2006, immédiatement avant le virement prévu au paragraphe 233 (2) de la Loi, qui est imputable aux dépenses engagées aux fins énoncées au paragraphe (4) pour les écoles rurales et les écoles éloignées du conseil aux dépenses qu'il engage à ces fins pour ces écoles.
2. Déduire les sommes suivantes de la somme calculée en application de la disposition 1 :
  - i. Les sommes éventuelles virées du fonds de réserve du conseil pour les écoles rurales et les écoles éloignées pendant l'exercice.
  - ii. Les autres sommes éventuelles virées de réserves pendant l'exercice qui sont imputées aux fins énoncées au paragraphe (4) pour les écoles rurales et les écoles éloignées du conseil.
  - iii. Les recettes éventuelles provenant d'autres sources que le conseil reçoit pendant l'exercice et qu'il affecte pendant cet exercice aux fins énoncées au paragraphe (4) pour les écoles rurales et les écoles éloignées du conseil.

(4) Les fins visées au paragraphe (3) sont les suivantes :

1. Doter les écoles d'un personnel enseignant suffisant pour être en mesure d'offrir un programme d'études de qualité.
2. S'assurer que des adultes sont présents en permanence.
3. Acquérir des ressources et du matériel d'apprentissage.
4. Assumer les dépenses de fonctionnement des écoles rurales et des écoles éloignées.

(5) Le présent article ne doit pas être interprété de façon à limiter la somme que le conseil peut affecter aux fins énoncées au paragraphe (4) pour les écoles rurales et les écoles éloignées du conseil.

(6) Pour l'application du présent article, «école éloignée» s'entend au sens du paragraphe 29 (1) du règlement sur les subventions de 2003-2004.

#### **Dépenses obligatoires, immobilisations**

**43.** (1) Sous réserve du paragraphe (2), le conseil scolaire de district fait en sorte qu'une somme égale au total des sommes suivantes, calculées pour le conseil en application de l'article 36, soit affectée à l'acquisition d'immobilisations au cours de l'exercice :

1. La somme liée à la réfection des écoles.
2. La somme liée aux nouvelles places.
3. La somme liée aux engagements d'immobilisations non réalisés.

(2) Le conseil verse dans son fonds de réserve pour les installations d'accueil pour les élèves la différence entre la dépense nette qu'il engage pour faire l'acquisition d'immobilisations au cours de l'exercice et le total calculé en application du paragraphe (1) si la dépense est inférieure à ce total.

(3) Pour l'application du présent article, la dépense nette qu'un conseil engage pour faire l'acquisition d'immobilisations au cours de l'exercice est calculée en déduisant les sommes suivantes de la dépense qu'il engage pour faire l'acquisition d'immobilisations au cours de cet exercice :

1. Les sommes éventuelles virées du fonds de réserve pour les installations d'accueil pour les élèves au cours de l'exercice.
2. Les sommes éventuelles virées du fonds de réserve du produit de disposition au cours de l'exercice et qui sont affectées au cours de cet exercice à des dépenses engagées pour faire l'acquisition d'immobilisations.
3. Les sommes éventuelles virées d'autres réserves au cours de l'exercice, autres que les fonds de réserve de redevances d'aménagement scolaires, et que le conseil a affectées au cours de cet exercice à des dépenses engagées pour faire l'acquisition d'immobilisations.
4. Les recettes éventuelles provenant d'autres sources que le conseil reçoit au cours de l'exercice et qu'il affecte au cours de cet exercice à l'acquisition d'immobilisations.

(4) Le présent article ne doit pas être interprété de façon à limiter la somme que le conseil peut affecter à l'acquisition d'immobilisations.

**Dépenses d'administration et de gestion maximales**

**44.** (1) Chaque conseil scolaire de district veille à ce que les dépenses nettes d'administration et de gestion qu'il engage au cours de l'exercice ne soient pas supérieures à son plafond fixé des dépenses d'administration et de gestion.

(2) Le plafond des dépenses d'administration et de gestion du conseil pour l'exercice est calculé de la manière suivante :

1. Soustraire les dépenses d'administration et de gestion du conseil pour l'exercice de l'élément administration et gestion du conseil pour l'exercice.
2. Ajouter à la somme calculée en application de la disposition 1 la part du fonds de flexibilité du conseil qui :
  - i. d'une part, n'est pas affectée en application de la disposition 49 du paragraphe 40 (5),
  - ii. d'autre part, est affectée par le conseil au plafond des dépenses d'administration et de gestion.

(3) Pour l'application du présent article :

- a) constitue une dépense d'administration la dépense du conseil qui est classée comme telle dans le plan comptable uniforme du ministère;
- b) constitue une dépense de gestion la dépense du conseil qui est classée comme telle dans le plan comptable uniforme du ministère.

(4) Pour l'application du présent article, les dépenses nettes d'administration et de gestion qu'un conseil engage au cours de l'exercice sont calculées de la manière suivante :

1. Calculer le total des dépenses d'administration et des dépenses de gestion que le conseil engage au cours de l'exercice.
2. Additionner la part de la somme visée au paragraphe 233 (1) de la Loi qui se trouve dans le fonds de réserve du conseil le 31 août 2006, avant le virement prévu au paragraphe 233 (2) de la Loi, qui est imputable aux dépenses d'administration et de gestion et la somme calculée en application de la disposition 1.
3. Déduire les sommes suivantes du total obtenu en application de la disposition 2 :
  - i. Les sommes éventuelles virées de réserves au cours de l'exercice qui sont imputées aux dépenses d'administration ou de gestion du conseil.
  - ii. Les recettes éventuelles provenant d'autres sources que le conseil reçoit au cours de l'exercice et qu'il affecte au cours de cet exercice à ses dépenses d'administration ou de gestion.

**Fonds de flexibilité**

**45.** Le fonds de flexibilité d'un conseil scolaire de district pour l'exercice correspond à celle des sommes suivantes qui est supérieure à l'autre :

- a) le fonds de flexibilité du conseil pour l'exercice 2004-2005, calculé en application de l'article 46 du règlement sur les subventions de 2004-2005;
- b) le total de la somme liée aux priorités locales du conseil pour l'exercice 2005-2006 calculée en application du paragraphe 13 (3) et du redressement éventuel pour baisse des effectifs calculé en application de l'article 38.

**PARTIE III****SUBVENTIONS EN FAVEUR DES ADMINISTRATIONS SCOLAIRES****Subventions en faveur des conseils isolés**

**46.** (1) Pour l'application du présent article, constitue la dépense approuvée d'un conseil isolé la dépense que le ministre juge acceptable telle qu'elle figure dans les formules que le ministère fournit au conseil isolé aux fins du calcul de sa subvention générale de 2005-2006.

(2) Lorsqu'il fait des calculs pour l'application du paragraphe (1), le ministre applique, avec les adaptations qu'il estime indiquées pour tenir compte des caractéristiques propres aux conseils isolés, la formule de financement sur laquelle se fondent les dispositions du présent règlement qui se rapportent aux subventions en faveur des conseils scolaires de district.

(3) Pour l'application du présent article, les recettes fiscales de 2005-2006 du conseil isolé sont calculées de la manière suivante :

1. Additionner ce qui suit :
  - i. 38 pour cent de la somme de ce qui suit :
    - A. le total des sommes remises au conseil à l'égard de l'année civile 2005 en application des paragraphes 237 (12) et 238 (2), de l'article 239, du paragraphe 240 (5), des articles 250 et 251 et des paragraphes 257.8 (2) et 257.9 (1) de la *Loi sur l'éducation*, des articles 447.20 et 447.52 de la *Loi sur les municipalités*, tels qu'ils s'appliquent par l'effet de l'article 474 de la *Loi de 2001 sur les municipalités*, des paragraphes 364



(22) et 365.2 (16) de la *Loi de 2001 sur les municipalités*, de l'article 10 du Règlement de l'Ontario 509/98 intitulé «Tax Matters — Relief in Unorganized Territory (Section 257.2.1 of the Act)» pris en application de la Loi et du paragraphe 13 (2) du Règlement de l'Ontario 3/02 intitulé «Tax Relief in Unorganized Territory for 2001 and Subsequent Years» pris en application de la Loi,

- B. les sommes éventuelles visées au paragraphe 364 (22) de la *Loi de 2001 sur les municipalités*, tel qu'il s'applique par l'effet de l'article 257.12.3 de la *Loi sur l'éducation*, qui sont versées au conseil à l'égard de l'année civile 2005,
  - C. le total de toutes les sommes éventuelles qu'une municipalité verse au conseil à l'égard de l'année civile 2005 en application du paragraphe 353 (4) ou 366 (3) de la *Loi de 2001 sur les municipalités*,
  - D. les sommes éventuelles que le conseil affecte au paiement du coût d'annulation de biens-fonds vendus pour arriérés d'impôts pendant l'année civile 2005, en application de l'article 380 de la *Loi de 2001 sur les municipalités*, tel qu'il s'applique par l'effet du paragraphe 371 (2) de cette loi,
  - E. les paiements tenant lieu d'impôts remis au conseil à l'égard de l'année civile 2005 en vertu du paragraphe 322 (1) de la *Loi de 2001 sur les municipalités*,
  - F. les subventions éventuelles versées au conseil à l'égard de l'année civile 2005 en vertu du paragraphe 302 (2) de la *Loi de 2001 sur les municipalités*,
  - G. les sommes éventuelles que le conseil reçoit à l'égard de l'année civile 2005 en vertu de la *Loi sur les paiements versés en remplacement d'impôts* (Canada) ou en vertu de toute loi du Canada qui autorise un gouvernement ou un organisme gouvernemental à effectuer un paiement tenant lieu d'impôts sur des biens immeubles,
  - H. les sommes éventuelles versées au conseil à l'égard de l'année civile 2005 en vertu du paragraphe 9 (2) ou (4) de la *Loi de 2002 sur les zones d'allègement fiscal (projets pilotes)*,
- ii. 62 pour cent de la somme de ce qui suit :
- A. le total des sommes remises au conseil à l'égard de l'année civile 2006 en application des paragraphes 237 (12) et 238 (2), de l'article 239, du paragraphe 240 (5), des articles 250 et 251 et des paragraphes 257.8 (2) et 257.9 (1) de la *Loi sur l'éducation*, des articles 447.20 et 447.52 de la *Loi sur les municipalités*, tels qu'ils s'appliquent par l'effet de l'article 474 de la *Loi de 2001 sur les municipalités*, des paragraphes 364 (22) et 365.2 (16) de la *Loi de 2001 sur les municipalités*, de l'article 10 du Règlement de l'Ontario 509/98 intitulé «Tax Matters — Relief in Unorganized Territory (Section 257.2.1 of the Act)» pris en application de la Loi et du paragraphe 13 (2) du Règlement de l'Ontario 3/02 intitulé «Tax Relief in Unorganized Territory for 2001 and Subsequent Years» pris en application de la Loi,
  - B. les sommes éventuelles visées au paragraphe 364 (22) de la *Loi de 2001 sur les municipalités*, tel qu'il s'applique par l'effet de l'article 257.12.3 de la *Loi sur l'éducation*, qui sont versées au conseil à l'égard de l'année civile 2006,
  - C. le total de toutes les sommes éventuelles qu'une municipalité verse au conseil à l'égard de l'année civile 2006 en application du paragraphe 353 (4) ou 366 (3) de la *Loi de 2001 sur les municipalités*,
  - D. les sommes éventuelles que le conseil affecte au paiement du coût d'annulation de biens-fonds vendus pour arriérés d'impôts pendant l'année civile 2006, en application de l'article 380 de la *Loi de 2001 sur les municipalités*, tel qu'il s'applique par l'effet du paragraphe 371 (2) de cette loi,
  - E. les paiements tenant lieu d'impôts remis au conseil à l'égard de l'année civile 2006 en vertu du paragraphe 322 (1) de la *Loi de 2001 sur les municipalités*,
  - F. les subventions éventuelles versées au conseil à l'égard de l'année civile 2006 en vertu du paragraphe 302 (2) de la *Loi de 2001 sur les municipalités*,
  - G. les sommes éventuelles que le conseil reçoit à l'égard de l'année civile 2006 en vertu de la *Loi sur les paiements versés en remplacement d'impôts* (Canada) ou en vertu de toute loi du Canada qui autorise un gouvernement ou un organisme gouvernemental à effectuer un paiement tenant lieu d'impôts sur des biens immeubles,
  - H. les sommes éventuelles versées au conseil à l'égard de l'année civile 2006 en vertu du paragraphe 9 (2) ou (4) de la *Loi de 2002 sur les zones d'allègement fiscal (projets pilotes)*,

- iii. le total des sommes éventuelles remises au conseil au cours de l'exercice en application du paragraphe 2 (3) du Règlement de l'Ontario 365/98 («Arriérés d'impôts scolaires d'avant 1998») pris en application de la Loi,
  - iv. le total des sommes éventuelles versées au conseil au cours de l'exercice en application de l'alinéa 3 (1) a) du Règlement de l'Ontario 366/98 («Arriérés d'impôts dans les secteurs annexés») pris en application de la Loi.
2. Calculer la différence entre les sommes suivantes et la déduire si la somme visée à la sous-disposition i est inférieure à celle visée à la sous-disposition ii ou l'ajouter si elle lui est supérieure :
    - i. La somme calculée en application de la sous-disposition 1 ii du paragraphe 47 (3) du règlement sur les subventions de 2004-2005 aux fins du calcul de la somme payable au conseil à titre de subvention générale à l'égard de l'exercice 2004-2005.
    - ii. La somme qui aurait été calculée en application de la sous-disposition 1 ii du paragraphe 47 (3) du règlement sur les subventions de 2004-2005 si elle avait été calculée en se fondant sur les états financiers annuels du conseil tels qu'ils ont été présentés au ministère pour l'exercice 2004-2005.
  3. Si le conseil est tenu de prélever des impôts scolaires à l'égard de biens situés dans un territoire non érigé en municipalité, déduire la somme de ce qui suit :
    - i. 0,76 pour cent du total des impôts prélevés aux fins scolaires pour l'année civile 2005 et de ceux que le conseil a prélevés pour cette année-là en application de l'article 21.1 de la *Loi sur l'impôt foncier provincial*,
    - ii. 1,24 pour cent du total des impôts visés à la sous-disposition i que le conseil prélève pour l'année civile 2006.
  4. Déduire les frais dont le conseil est redevable en application de la Loi ou de la *Loi de 1996 sur les élections municipales* et qu'il engage pendant l'exercice pour tenir l'élection de membres dans un territoire non érigé en municipalité qui est réputé une municipalité de district pour l'application de l'alinéa 257.12 (3) a) de la Loi.
  5. Déduire les sommes qu'un conseil municipal a exigées du conseil pendant l'année civile 2005 en application de l'article 353 de la *Loi de 2001 sur les municipalités*, y compris les sommes exigées en application de cet article par suite d'une loi d'intérêt privé.
  6. Déduire le total des sommes que le conseil remet, paie ou porte au crédit de quelqu'un en application de l'article 257.2.1 de la Loi pendant l'exercice.
  7. Déduire 38 pour cent du total des sommes éventuelles que le conseil verse à l'égard de l'année civile 2005 en application des paragraphes 361 (7), 364 (11), 365 (3), 365.1 (13) à (15) et (17) à (19) et 365.2 (8) de la *Loi de 2001 sur les municipalités*.
  8. Déduire 62 pour cent du total des sommes éventuelles que le conseil verse à l'égard de l'année civile 2006 en application des paragraphes 361 (7), 364 (11), 365 (3), 365.1 (13) à (15) et (17) à (19) et 365.2 (8) de la *Loi de 2001 sur les municipalités*.
- (4) Les sommes éventuelles que le ministre verse au conseil à l'égard de l'année civile 2005 en application de l'article 257.10.1 ou 257.11 de la Loi sont réputées des sommes remises au conseil à l'égard de l'année civile 2005 en application d'une disposition de la Loi visée à la sous-disposition 1 i) du paragraphe (3).
- (5) Les sommes éventuelles que le ministre verse au conseil à l'égard de l'année civile 2006 en application de l'article 257.10.1 ou 257.11 de la Loi sont réputées des sommes remises au conseil à l'égard de l'année civile 2006 en application d'une disposition de la Loi visée à la sous-disposition 1 ii) du paragraphe (3).
- (6) La disposition 3 du paragraphe (3) ne doit pas être interprétée de façon à empêcher l'inclusion, dans les dépenses approuvées du conseil, des frais de perception des impôts dans un territoire non érigé en municipalité qu'il a engagés si ces frais sont supérieurs à la somme déduite en application de cette disposition.
- (7) Le conseil isolé dont les dépenses approuvées sont supérieures à ses recettes fiscales de 2005-2006 reçoit une subvention égale à cet excédent.

**Subventions en faveur des conseils créés en vertu de l'art. 68**

47. (1) Le conseil créé en vertu de l'article 68 reçoit une subvention calculée de la manière suivante :
1. Prendre les dépenses du conseil pour l'exercice que le ministre juge acceptables aux fins des subventions, à l'exclusion de ce qui suit :
    - i. les dépenses liées au service de la dette,
    - ii. les dépenses liées à l'acquisition d'immobilisations,
    - iii. les dépenses liées à la restauration d'immobilisations détruites ou endommagées,
    - iv. les provisions pour réserves pour fonds de roulement et celles pour fonds de réserve.
  2. Déduire les recettes de l'exercice du conseil, à l'exclusion des recettes provenant de ce qui suit :

- i. les subventions générales,
- ii. un organisme sur le bien duquel se trouve une école du conseil,
- iii. les remboursements de dépenses du genre visé à la sous-disposition 1 i, ii ou iii.

(2) Le paragraphe (3) s'applique si, selon le cas :

- a) un conseil créé en vertu de l'article 68 engage des dépenses pour acheter du matériel spécialisé, conformément à la publication intitulée «Lignes directrices sur le financement de l'éducation de l'enfance en difficulté : Allocation d'aide spécialisée (AAS) de niveau 1 et AAS pour cas spéciaux — 2004-2005» et datée de juin 2004, pour un élève d'un conseil créé en vertu de l'article 68 qui s'inscrit, pendant l'exercice, à une école qui relève d'un conseil scolaire de district ou d'un autre conseil créé en vertu de l'article 68;
- b) une demande de matériel spécialisé à l'égard d'un élève d'un conseil créé en vertu de l'article 68 a été approuvée et l'élève s'inscrit, pendant l'exercice 2004-2005, à une école qui relève d'un autre conseil créé en vertu de l'article 68.

(3) Le matériel spécialisé visé au paragraphe (2) suit l'élève au nouveau conseil, sauf si ce dernier est d'avis qu'il n'est pas pratique de le déménager.

#### PARTIE IV PAIEMENTS FAITS À DES ADMINISTRATIONS RESPONSABLES

##### Définitions

**48.** Les définitions qui suivent s'appliquent à la présente partie.

«établissement de la Couronne» Établissement que fait fonctionner un ministère du gouvernement du Canada, une société d'État fédérale, la Gendarmerie royale du Canada ou Énergie atomique du Canada limitée sur des biens-fonds que détient la Couronne du chef du Canada et qui ne peuvent faire l'objet d'une évaluation aux fins scolaires. S'entend en outre des réserves au sens de la *Loi sur les Indiens* (Canada). («Crown establishment»)

«réserve» S'entend au sens de la *Loi sur les Indiens* (Canada). («reserve»)

##### Élève fréquentant l'école au Manitoba ou au Québec

**49.** (1) Si un élève qui réside dans un district territorial fréquente une école du Manitoba ou du Québec soutenue par des impôts locaux, le ministre peut verser à l'administration responsable de l'école la somme convenue d'un commun accord s'il est d'avis que les circonstances suivantes sont réunies :

- a) le transport quotidien de l'élève entre sa résidence et une école située en Ontario est impossible en raison de la distance ou de la topographie;
- b) la fourniture de nourriture, de logement et de transport hebdomadaire entre sa résidence et une école située en Ontario est impossible en raison de son âge ou de son invalidité;
- c) l'élève fréquente une école qu'il lui est raisonnable de fréquenter compte tenu de la distance ou de la topographie et de ses besoins particuliers.

(2) Le ministre tient compte de la langue d'enseignement lorsqu'il prend une décision en vertu du paragraphe (1) à l'égard d'un élève francophone.

##### Élève fréquentant une école d'une réserve

**50.** (1) Le présent article s'applique si l'élève qui réside dans un district territorial réunit les conditions suivantes :

- a) il ne réside pas dans le territoire de compétence d'un conseil et n'est pas résident d'un établissement de la Couronne;
- b) il fréquente une école d'une réserve qui relève :
  - (i) soit de la Couronne du chef du Canada,
  - (ii) soit d'une bande, du conseil d'une bande ou d'une commission indienne de l'éducation que la Couronne du chef du Canada autorise à dispenser l'enseignement aux Indiens.

(2) Le ministre verse à l'administration responsable de l'école que fréquente l'élève la somme convenue d'un commun accord.

##### Sommes payables au conseil : fréquentation de l'école par les enfants indiens

**51.** (1) Le présent article s'applique à l'égard du conseil qui a présenté au ministre, en application de l'article 185 de la Loi, des dispositions en vue de l'admission, à une école élémentaire pour enfants indiens, d'une ou de plusieurs personnes qui remplissent les conditions d'élèves résidents du conseil.

(2) Sous réserve du paragraphe (3), le ministre verse au conseil, pour chaque personne à laquelle s'appliquent les dispositions, une somme égale à ce qu'il en coûte par élève de l'élémentaire pour l'exercice 2005-2006 à l'école où l'enfant est admis aux termes des dispositions.

(3) La somme que verse le ministre en application du paragraphe (2) ne doit pas dépasser le montant des droits que le conseil imposerait aux élèves de l'élémentaire en application de l'article 3 du règlement sur les droits de 2005-2006.

TABLE/TABLEAU 1  
ESL/ESD GRANT/SUBVENTION ESL/ESD

Item/Point	Column/Colonne 1 Name of Board/Nom du conseil	Column/Colonne 2 Amount/Somme \$
1.	District School Board Ontario North East	18,931
2.	Algoma District School Board	11,524
3.	Rainbow District School Board	24,782
4.	Near North District School Board	13,954
5.	Keewatin-Patricia District School Board	12,326
6.	Rainy River District School Board	4,585
7.	Lakehead District School Board	49,690
8.	Superior-Greenstone District School Board	779
9.	Bluewater District School Board	84,653
10.	Avon Maitland District School Board	123,176
11.	Greater Essex County District School Board	417,973
12.	Lambton Kent District School Board	106,280
13.	Thames Valley District School Board	755,606
14.	Toronto District School Board	9,154,639
15.	Durham District School Board	272,354
16.	Kawartha Pine Ridge District School Board	40,627
17.	Trillium Lakelands District School Board	0
18.	York Region District School Board	1,161,074
19.	Simcoe County District School Board	82,524
20.	Upper Grand District School Board	268,827
21.	Peel District School Board	2,079,593
22.	Halton District School Board	225,620
23.	Hamilton-Wentworth District School Board	630,689
24.	District School Board of Niagara	196,736
25.	Grand Erie District School Board	134,194
26.	Waterloo Region District School Board	831,600
27.	Ottawa-Carleton District School Board	975,806
28.	Upper Canada District School Board	31,856
29.	Limestone District School Board	75,660
30.	Renfrew County District School Board	15,164
31.	Hastings and Prince Edward District School Board	37,355
32.	Northeastern Catholic District School Board	5,291
33.	Nipissing-Parry Sound Catholic District School Board	5,492
34.	Huron-Superior Catholic District School Board	9,685
35.	Sudbury Catholic District School Board	11,604
36.	Northwest Catholic District School Board	2,733
37.	Kenora Catholic District School Board	236
38.	Thunder Bay Catholic District School Board	25,304
39.	Superior North Catholic District School Board	0
40.	Bruce-Grey Catholic District School Board	6,076
41.	Huron Perth Catholic District School Board	14,995
42.	Windsor-Essex Catholic District School Board	285,811
43.	English-language Separate District School Board No. 38	230,241
44.	St. Clair Catholic District School Board	37,869
45.	Toronto Catholic District School Board	3,884,755
46.	Peterborough Victoria Northumberland and Clarington Catholic District School Board	17,591
47.	York Catholic District School Board	655,809
48.	Dufferin-Peel Catholic District School Board	1,641,130
49.	Simcoe Muskoka Catholic District School Board	44,449
50.	Durham Catholic District School Board	125,790
51.	Halton Catholic District School Board	157,254
52.	Hamilton-Wentworth Catholic District School Board	353,616
53.	Wellington Catholic District School Board	53,048
54.	Waterloo Catholic District School Board	335,647

Item/Point	Column/Colonne 1	Column/Colonne 2
	Name of Board/Nom du conseil	Amount/Somme \$
55.	Niagara Catholic District School Board	95,494
56.	Brant Haldimand Norfolk Catholic District School Board	43,337
57.	Catholic District School Board of Eastern Ontario	16,970
58.	Ottawa-Carleton Catholic District School Board	457,583
59.	Renfrew County Catholic District School Board	6,166
60.	Algonquin and Lakeshore Catholic District School Board	37,128

TABLE/TABLEAU 2

ASSIMILATION FACTORS FOR ALF FUNDING/FACTEURS D'ASSIMILATION POUR LE FINANCEMENT DES PROGRAMMES D'ALF

Item/Point	Column/Colonne 1	Column/Colonne 2
	Name of Board/Nom du conseil	Assimilation Factor/Facteur d'assimilation %
1.	Conseil scolaire de district du Nord-Est de l'Ontario	75
2.	Conseil scolaire de district du Grand Nord de l'Ontario	75
3.	Conseil scolaire de district du Centre Sud-Ouest	97
4.	Conseil de district des écoles publiques de langue française n° 59	76
5.	Conseil scolaire de district catholique des Grandes Rivières	75
6.	Conseil scolaire de district catholique Franco-Nord	75
7.	Conseil scolaire de district catholique du Nouvel-Ontario	75
8.	Conseil scolaire de district catholique des Aurores boréales	88
9.	Conseil scolaire de district des écoles catholiques du Sud-Ouest	97
10.	Conseil scolaire de district catholique Centre-Sud	97
11.	Conseil scolaire de district catholique de l'Est ontarien	75
12.	Conseil scolaire de district catholique du Centre-Est de l'Ontario	84

TABLE/TABLEAU 3

CLOSED DISTANT SCHOOLS/ÉCOLES ÉLOIGNÉES FERMÉES

Item/Point	Column/Colonne 1	Column/Colonne 2	Column/Colonne 3	Column/Colonne 4	Column/Colonne 5	Column/Colonne 6	Column/Colonne 7	Column/Colonne 8
	Name of Board/Nom du conseil	SFIS No./N° du SIIS	Elementary School/École élémentaire	Secondary School/École secondaire	Municipality or Locality/Municipalité ou localité	Top Up Allocation for School Operations/Somme complémentaire liée au fonctionnement des écoles	Top Up for School Renewal/Somme complémentaire liée à la réfection des écoles	Distant School Allocation/Somme liée aux écoles éloignées
1.	Bluewater District School Board	824	Macphail Memorial Elementary School		Grey Highlands	0	0	\$48,679
2.	Conseil de district des écoles publiques de langue française n° 59	5338		Marc Garneau E.s.	Quinte West	\$73,988	\$12,433	\$695,330
3.	Conseil de district des écoles publiques de langue française n° 59	9641		Vankleek Hill Secondary School	Champlain	0	0	\$475,847
4.	Conseil scolaire de district catholique des Aurores boréales	9563		E.s. de La Verendrye	Thunder Bay	0	0	\$712,868

Item/ Point	Column/ Colonne 1	Column/ Colonne 2	Column/ Colonne 3	Column/ Colonne 4	Column/ Colonne 5	Column/ Colonne 6	Column/ Colonne 7	Column/ Colonne 8
	Name of Board/Nom du conseil	SFIS No./N° du SIIS	Elementary School/École élémentaire	Secondary School/École secondaire	Municipality or Locality/Municipalité ou localité	Top Up Allocation for School Operations/Somme complémentaire liée au fonctionnement des écoles	Top Up for School Renewal/Somme complémentaire liée à la réfection des écoles	Distant School Allocation/Somme liée aux écoles éloignées
5.	Conseil scolaire de district catholique du Centre-Est de l'Ontario	3148	Colonel Forbes C.e.		Petawawa	\$94,529	\$15,609	\$25,553
6.	Conseil scolaire de district catholique du Centre-Est de l'Ontario	3189		Jeanne-Lajoie C.e.s.	Pembroke	\$5,752	\$924	\$552,137
7.	Conseil scolaire de district catholique du Nouvel-Ontario	9757		Jeunesse-Nord E.s.	Blind River	\$28,867	\$5,092	\$581,990
8.	Conseil scolaire de district du Centre Sud-Ouest	9830	Carrefour des Jeunes		Brampton	0	0	\$159,768
9.	Superior North Catholic District School Board	3908	St. Edward		Nipigon	0	0	\$76,065
10.	Upper Canada District School Board	21	Addison Public School		Elizabethtown-Kitley	\$4,581	\$784	\$11,093
11.	Upper Canada District School Board	1299	Frankville Public School		Elizabethtown-Kitley	\$8,170	\$1,396	\$11,019
12.	Upper Canada District School Board	1627	Newington Public School		Cavan-Millbrook-North Monaghan	\$12,950	\$2,214	\$11,214
13.	Wellington Catholic District School Board	3031	Sacred Heart		Wellington North	0	0	\$14,303
14.	Windsor-Essex Catholic District School Board	3746	St. Anthony Separate School		Essex	0	0	\$30,251
15.	Windsor-Essex Catholic District School Board	4060	St. John de Brebeuf Separate School		Kingsville	0	0	\$40,733
16.	Lakehead District School Board	9967	Fourway Public School		Lakehead Locality Education	\$21,190	\$3,694	\$228,267

Item/ Point	Column/ Colonne 1	Column/ Colonne 2	Column/ Colonne 3	Column/ Colonne 4	Column/ Colonne 5	Column/ Colonne 6	Column/ Colonne 7	Column/ Colonne 8
	Name of Board/Nom du conseil	SFIS No./N° du SIIS	Elementary School/École élémentaire	Secondary School/École secondaire	Municipality or Locality/Municipalité ou localité	Top Up Allocation for School Operations/Somme complémentaire liée au fonctionnement des écoles	Top Up for School Renewal/Somme complémentaire liée à la réfection des écoles	Distant School Allocation/Somme liée aux écoles éloignées
17.	Renfrew County District School Board	2047	Ross Mineview Public School		Whitewater Region	\$15,804	\$2,729	\$24,481

TABLE/TABLEAU 4  
NEW DISTANT SCHOOLS/NOUVELLES ÉCOLES ÉLOIGNÉES

Item/ Point	Column/ Colonne 1	Column/ Colonne 2	Column/ Colonne 3	Column/ Colonne 4	Column/ Colonne 5	Column/ Colonne 6	Column/ Colonne 7	Column/ Colonne 8	Column/ Colonne 9
	Name of Board/Nom du conseil	SFIS No./N° du SIIS	Elementary School/École élémentaire	Secondary School/École secondaire	Municipality/Municipalité	Top Up Allocation for School Operations/Somme complémentaire liée au fonctionnement des écoles	Top Up for School Renewal/Somme complémentaire liée à la réfection des écoles	Distant School Allocation/Somme liée aux écoles éloignées	Distant School Allocation In-school administration component/Somme liée à l'administration interne des écoles éloignées
1.	Bluewater District School Board	10582	Macphail Memorial Elementary School		Grey Highlands	0	0	\$48,045	0
2.	Upper Canada District School Board	10551	Meadowview Public School		Elizabethtown-Kitley	0	0	\$30,665	0
3.	Superior North Catholic District School Board	10661	St. Edward Catholic School		Nipigon	\$43,011	\$7,440	\$84,305	\$23,118
4.	Windsor-Essex Catholic District School Board	10522	St. John de Brebeuf Separate School		Kingsville	\$8,862	\$1,533	\$40,343	0
5.	Conseil de district des écoles publiques de langue française n° 59	10394		École secondaire publique le Sommet	Hawkesbury	\$14,082	\$2,484	\$507,463	0
6	Conseil de district des écoles publiques de langue française n° 59	10575		École s.p. Marc Garneau	Quinte West	\$52,747	\$9,305	\$672,985	0

Item/ Point	Column/ Colonne 1	Column/ Colonne 2	Column/ Colonne 3	Column/ Colonne 4	Column/ Colonne 5	Column/ Colonne 6	Column/ Colonne 7	Column/ Colonne 8	Column/ Colonne 9
	Name of Board/Nom du conseil	SFIS No./N <sup>o</sup> du SIIS	Elementary School/École élémentaire	Secondary School/École secondaire	Municipality/Municipalité	Top Up Allocation for School Operations/Somme complémentaire liée au fonctionnement des écoles	Top Up for School Renewal/Somme complémentaire liée à la réfection des écoles	Distant School Allocation/Somme liée aux écoles éloignées	Distant School Allocation In-school administration component/Somme liée à l'administration interne des écoles éloignées
7.	Conseil scolaire de district catholique du Centre-Est de l'Ontario	10658		Centre Scolaire Catholique Jeanne-Lajoie Secondaire	Pembroke	0	0	\$505,649	0
8.	Conseil scolaire de district du Centre Sud-Ouest	10710	Carrefour des Jeunes		Brampton	0	0	\$49,120	0
9.	Conseil scolaire de district catholique des Aurores boréales	10740		École secondaire catholique de La Vérendrye	Thunder Bay	\$126,689	\$22,348	\$669,873	0

TABLE/TABLEAU 5

## DISTANT SCHOOLS ADJUSTMENT/REDRESSEMENT POUR ÉCOLES ÉLOIGNÉES

Item/Point	Column/Colonne 1	Column/Colonne 2
	Name of Board/Nom du conseil	Amount/Montant \$
1.	District School Board Ontario North East	176,951
2.	Algoma District School Board	155,125
3.	Rainbow District School Board	172,654
4.	Near North District School Board	124,628
5.	Keewatin-Patricia District School Board	141,013
6.	Rainy River District School Board	67,922
7.	Lakehead District School Board	19,619
8.	Superior-Greenstone District School Board	145,180
9.	Bluewater District School Board	40,246
10.	Avon Maitland District School Board	0
11.	Greater Essex County District School Board	3,441
12.	Lambton Kent District School Board	28,243
13.	Thames Valley District School Board	0
14.	Toronto District School Board	0
15.	Durham District School Board	0
16.	Kawartha Pine Ridge District School Board	21,395
17.	Trillium Lakelands District School Board	99,434
18.	York Region District School Board	0
19.	Simcoe County District School Board	0
20.	Upper Grand District School Board	0
21.	Peel District School Board	0
22.	Halton District School Board	0
23.	Hamilton-Wentworth District School Board	0
24.	District School Board of Niagara	0
25.	Grand Erie District School Board	0
26.	Waterloo Region District School Board	0
27.	Ottawa-Carleton District School Board	0



Item/Point	Column/Colonne 1	Column/Colonne 2
	Name of Board/Nom du conseil	Amount/Montant \$
28.	Upper Canada District School Board	77,159
29.	Limestone District School Board	73,707
30.	Renfrew County District School Board	121,599
31.	Hastings and Prince Edward District School Board	49,601
32.	Northeastern Catholic District School Board	166,370
33.	Nipissing-Parry Sound Catholic District School Board	87,481
34.	Huron-Superior Catholic District School Board	104,505
35.	Sudbury Catholic District School Board	8,418
36.	Northwest Catholic District School Board	186,150
37.	Kenora Catholic District School Board	0
38.	Thunder Bay Catholic District School Board	0
39.	Superior North Catholic District School Board	102,184
40.	Bruce-Grey Catholic District School Board	143,622
41.	Huron Perth Catholic District School Board	116,374
42.	Windsor-Essex Catholic District School Board	0
43.	English-language Separate District School Board No. 38	77,389
44.	St. Clair Catholic District School Board	117,424
45.	Toronto Catholic District School Board	0
46.	Peterborough Victoria Northumberland and Clarington Catholic District School Board	69,292
47.	York Catholic District School Board	0
48.	Dufferin-Peel Catholic District School Board	0
49.	Simcoe Muskoka Catholic District School Board	138,058
50.	Durham Catholic District School Board	17,729
51.	Halton Catholic District School Board	0
52.	Hamilton-Wentworth Catholic District School Board	0
53.	Wellington Catholic District School Board	34,449
54.	Waterloo Catholic District School Board	0
55.	Niagara Catholic District School Board	0
56.	Brant Haldimand Norfolk Catholic District School Board	22,741
57.	Catholic District School Board of Eastern Ontario	261,605
58.	Ottawa-Carleton Catholic District School Board	28,726
59.	Renfrew County Catholic District School Board	51,467
60.	Algonquin and Lakeshore Catholic District School Board	146,696
61.	Conseil scolaire de district du Nord-Est de l'Ontario	79,819
62.	Conseil scolaire de district du Grand Nord de l'Ontario	17,131
63.	Conseil scolaire de district du Centre Sud-Ouest	332,792
64.	Conseil de district des écoles publiques de langue française n° 59	185,632
65.	Conseil scolaire de district catholique des Grandes Rivières	151,446
66.	Conseil scolaire de district catholique Franco-Nord	49,123
67.	Conseil scolaire de district catholique du Nouvel-Ontario	158,572
68.	Conseil scolaire de district catholique des Aurores boréales	80,479
69.	Conseil scolaire de district des écoles catholiques du Sud-Ouest	141,609
70.	Conseil scolaire de district catholique Centre-Sud	134,704
71.	Conseil scolaire de district catholique de l'Est ontarien	32,990
72.	Conseil scolaire de district catholique du Centre-Est de l'Ontario	145,611

TABLE/TABLEAU 6

## REMOTE AND RURAL ALLOCATION/ÉLÉMENT CONSEILS RURAUX ET ÉLOIGNÉS

Item/Point	Column/Colonne 1	Column/Colonne 2	Column/Colonne 3	Column/Colonne 4
	Name of Board/Nom du conseil	Distance/Distance	Urban Factor/Facteur urbain	Dispersion/Distance in kilometres/Distance, en kilomètres, liée à la dispersion
1.	District School Board Ontario North East	680 km	0.946	47.28
2.	Algoma District School Board	790 km	0.809	38.63
3.	Rainbow District School Board	455 km	0.821	21.21
4.	Near North District School Board	332 km	0.913	25.73
5.	Keewatin-Patricia District School Board	1801 km	1.000	60.12
6.	Rainy River District School Board	1630 km	1.000	40.15
7.	Lakehead District School Board	1375 km	0.549	5.77

Item/Point	Column/Colonne 1	Column/Colonne 2	Column/Colonne 3	Column/Colonne 4
	Name of Board/Nom du conseil	Distance/Distance	Urban Factor/Facteur urbain	Dispersion Distance in kilometres/Distance, en kilomètres, liée à la dispersion
8.	Superior-Greystone District School Board	1440 km	1.000	71.69
9.	Bluewater District School Board	177 km	1.000	21.55
10.	Avon Maitland District School Board	< 151 km	1.000	16.38
11.	Greater Essex County District School Board	< 151 km	1.000	8.32
12.	Lambton Kent District School Board	< 151 km	1.000	16.28
13.	Thames Valley District School Board	< 151 km	1.000	9.39
14.	Toronto District School Board	< 151 km	1.000	3.78
15.	Durham District School Board	< 151 km	1.000	5.98
16.	Kawartha Pine Ridge District School Board	161 km	0.942	14.94
17.	Trillium Lakelands District School Board	253 km	1.000	27.79
18.	York Region District School Board	< 151 km	1.000	6.52
19.	Simcoe County District School Board	< 151 km	1.000	11.30
20.	Upper Grand District School Board	< 151 km	1.000	10.65
21.	Peel District School Board	< 151 km	1.000	4.54
22.	Halton District School Board	< 151 km	1.000	5.59
23.	Hamilton-Wentworth District School Board	< 151 km	1.000	3.79
24.	District School Board of Niagara	< 151 km	1.000	6.49
25.	Grand Erie District School Board	< 151 km	1.000	10.07
26.	Waterloo Region District School Board	< 151 km	1.000	4.96
27.	Ottawa-Carleton District School Board	< 151 km	1.000	6.11
28.	Upper Canada District School Board	< 151 km	1.000	22.40
29.	Limestone District School Board	235 km	0.717	12.74
30.	Renfrew County District School Board	< 151 km	1.000	21.03
31.	Hastings and Prince Edward District School Board	251 km	0.971	15.17
32.	Northeastern Catholic District School Board	680 km	0.946	71.27
33.	Nipissing-Parry Sound Catholic District School Board	332 km	0.913	19.07
34.	Huron-Superior Catholic District School Board	790 km	0.777	48.56
35.	Sudbury Catholic District School Board	390 km	0.780	15.88
36.	Northwest Catholic District School Board	1715 km	1.000	133.32
37.	Kenora Catholic District School Board	1855 km	1.000	3.62
38.	Thunder Bay Catholic District School Board	1375 km	0.501	3.64
39.	Superior North Catholic District School Board	1440 km	1.000	97.06
40.	Bruce-Grey Catholic District School Board	177 km	1.000	22.57
41.	Huron Perth Catholic District School Board	< 151 km	1.000	19.38
42.	Windsor-Essex Catholic District School Board	< 151 km	1.000	7.73
43.	English-language Separate District School Board No. 38	< 151 km	1.000	11.83
44.	St. Clair Catholic District School Board	< 151 km	1.000	20.81
45.	Toronto Catholic District School Board	< 151 km	1.000	4.47
46.	Peterborough Victoria Northumberland and Clarington Catholic District School Board	161 km	0.942	15.91
47.	York Catholic District School Board	< 151 km	1.000	7.80
48.	Dufferin-Peel Catholic District School Board	< 151 km	1.000	4.96
49.	Simcoe Muskoka Catholic District School Board	< 151 km	1.000	17.09
50.	Durham Catholic District School Board	< 151 km	1.000	7.23
51.	Halton Catholic District School Board	< 151 km	1.000	7.35
52.	Hamilton-Wentworth Catholic District School Board	< 151 km	1.000	4.04
53.	Wellington Catholic District School Board	< 151 km	1.000	11.37
54.	Waterloo Catholic District School Board	< 151 km	1.000	6.27
55.	Niagara Catholic District School Board	< 151 km	1.000	8.50
56.	Brant Haldimand Norfolk Catholic District School Board	< 151 km	1.000	13.91
57.	Catholic District School Board of Eastern Ontario	< 151 km	1.000	24.49
58.	Ottawa-Carleton Catholic District School Board	< 151 km	1.000	6.69
59.	Renfrew County Catholic District School Board	< 151 km	1.000	25.91
60.	Algonquin and Lakeshore Catholic District School Board	277 km	0.986	24.63
61.	Conseil scolaire de district du Nord-Est de l'Ontario	634 km	0.939	149.20

Item/Point	Column/Colonne 1 Name of Board/Nom du conseil	Column/Colonne 2 Distance/Distance	Column/Colonne 3 Urban Factor/Facteur urbain	Column/Colonne 4 Dispersion Distance in kilometres/Distance, en kilomètres, liée à la dispersion
62.	Conseil scolaire de district du Grand Nord de l'Ontario	1191 km	0.8620	140.63
63.	Conseil scolaire de district du Centre Sud-Ouest	< 151 km	1.000	47.17
64.	Conseil de district des écoles publiques de langue française n° 59	< 151 km	1.000	38.75
65.	Conseil scolaire de district catholique des Grandes Rivières	680 km	0.952	49.76
66.	Conseil scolaire de district catholique Franco-Nord	332 km	0.933	23.94
67.	Conseil scolaire de district catholique du Nouvel-Ontario	790 km	0.879	45.27
68.	Conseil scolaire de district catholique des Aurores boréales	1745 km	0.727	207.39
69.	Conseil scolaire de district des écoles catholiques du Sud-Ouest	< 151 km	1.000	29.78
70.	Conseil scolaire de district catholique Centre-Sud	< 151 km	1.000	37.27
71.	Conseil scolaire de district catholique de l'Est ontarien	< 151 km	1.000	17.32
72.	Conseil scolaire de district catholique du Centre-Est de l'Ontario	< 151 km	1.000	23.39

TABLE/TABLEAU 7  
LEARNING OPPORTUNITIES/PROGRAMMES D'AIDE À L'APPRENTISSAGE

Item/Point	Column/Colonne 1 Name of Board/Nom du conseil	Column/Colonne 2 Demographic Component Amount/Montant de l'élément démographique \$	Column/Colonne 3 Student Success, Grades 7-12, Demographic Factor/Réussite des élèves, 7 <sup>e</sup> à 12 <sup>e</sup> année, facteur démographique
1.	District School Board Ontario North East	1,880,610	0.0043
2.	Algoma District School Board	3,264,799	0.0097
3.	Rainbow District School Board	2,523,419	0.0084
4.	Near North District School Board	2,587,239	0.0071
5.	Keewatin-Patricia District School Board	1,039,906	0.0028
6.	Rainy River District School Board	614,541	0.0026
7.	Lakehead District School Board	2,482,102	0.0065
8.	Superior-Greenstone District School Board	643,693	0.0012
9.	Bluewater District School Board	1,554,999	0.0045
10.	Avon Maitland District School Board	1,299,568	0.003
11.	Greater Essex County District School Board	6,584,555	0.0151
12.	Lambton Kent District School Board	1,873,907	0.0077
13.	Thames Valley District School Board	10,581,008	0.0246
14.	Toronto District School Board	134,784,612	0.3807
15.	Durham District School Board	3,453,188	0.0087
16.	Kawartha Pine Ridge District School Board	2,463,044	0.0093
17.	Trillium Lakelands District School Board	838,080	0.0045
18.	York Region District School Board	10,493,567	0.0182
19.	Simcoe County District School Board	1,936,653	0.0084
20.	Upper Grand District School Board	1,606,998	0.003
21.	Peel District School Board	18,531,533	0.0333
22.	Halton District School Board	895,188	0.0008
23.	Hamilton-Wentworth District School Board	13,346,631	0.0419
24.	District School Board of Niagara	5,062,602	0.0143
25.	Grand Erie District School Board	3,390,965	0.0097
26.	Waterloo Region District School Board	6,688,615	0.0138
27.	Ottawa-Carleton District School Board	15,077,566	0.0413
28.	Upper Canada District School Board	1,993,704	0.0065
29.	Limestone District School Board	2,436,910	0.0068
30.	Renfrew County District School Board	920,431	0.0032
31.	Hastings and Prince Edward District School Board	2,622,363	0.012

Item/Point	Column/Colonne 1 Name of Board/Nom du conseil	Column/Colonne 2 Demographic Component Amount/Montant de l'élément démographique \$	Column/Colonne 3 Student Success, Grades 7-12, Demographic Factor/Réussite des élèves, 7 <sup>e</sup> à 12 <sup>e</sup> année, facteur démographique
32.	Northeastern Catholic District School Board	652,081	0.0013
33.	Nipissing-Parry Sound Catholic District School Board	629,991	0.002
34.	Huron-Superior Catholic District School Board	1,578,604	0.0041
35.	Sudbury Catholic District School Board	1,286,823	0.0039
36.	Northwest Catholic District School Board	147,657	0.0005
37.	Kenora Catholic District School Board	155,202	0.0005
38.	Thunder Bay Catholic District School Board	1,208,819	0.0033
39.	Superior North Catholic District School Board	208,026	0.0004
40.	Bruce-Grey Catholic District School Board	222,812	0.0007
41.	Huron Perth Catholic District School Board	183,075	0.0004
42.	Windsor-Essex Catholic District School Board	4,441,570	0.0089
43.	English-language Separate District School Board No. 38	4,267,966	0.0035
44.	St. Clair Catholic District School Board	774,404	0.0022
45.	Toronto Catholic District School Board	51,200,143	0.1261
46.	Peterborough Victoria Northumberland and Clarington Catholic District School Board	736,186	0.0018
47.	York Catholic District School Board	4,979,144	0.0093
48.	Dufferin-Peel Catholic District School Board	13,489,141	0.0204
49.	Simcoe Muskoka Catholic District School Board	565,231	0.0027
50.	Durham Catholic District School Board	1,077,096	0.001
51.	Halton Catholic District School Board	500,795	0.0008
52.	Hamilton-Wentworth Catholic District School Board	5,567,912	0.0134
53.	Wellington Catholic District School Board	478,552	0.0008
54.	Waterloo Catholic District School Board	2,595,940	0.0041
55.	Niagara Catholic District School Board	2,236,175	0.0049
56.	Brant Haldimand Norfolk Catholic District School Board	1,055,211	0.0028
57.	Catholic District School Board of Eastern Ontario	1,070,467	0.0025
58.	Ottawa-Carleton Catholic District School Board	6,856,041	0.0177
59.	Renfrew County Catholic District School Board	605,920	0.0024
60.	Algonquin and Lakeshore Catholic District School Board	1,382,489	0.0028
61.	Conseil scolaire de district du Nord-Est de l'Ontario	265,529	0.001
62.	Conseil scolaire de district du Grand Nord de l'Ontario	275,705	0.001
63.	Conseil scolaire de district du Centre Sud-Ouest	1,424,289	0.0038
64.	Conseil de district des écoles publiques de langue française n° 59	1,692,751	0.0059
65.	Conseil scolaire de district catholique des Grandes Rivières	2,256,654	0.0054
66.	Conseil scolaire de district catholique Franco-Nord	857,299	0.002
67.	Conseil scolaire de district catholique du Nouvel-Ontario	1,775,578	0.0042
68.	Conseil scolaire de district catholique des Aurores boréales	244,378	0.0003
69.	Conseil scolaire de district des écoles catholiques du Sud-Ouest	584,284	0.0012
70.	Conseil scolaire de district catholique Centre-Sud	1,760,463	0.0036
71.	Conseil scolaire de district catholique de l'Est ontarien	1,699,771	0.004
72.	Conseil scolaire de district catholique du Centre-Est de l'Ontario	2,854,096	0.0089

TABLE/TABLEAU 8

## TEACHER QUALIFICATION AND EXPERIENCE/COMPÉTENCE ET EXPÉRIENCE DES ENSEIGNANTS

Full years of teaching experience/Années complètes d'expérience en enseignement	Qualification Categories/Catégories de qualification						
	D	C	B	A1/group 1 A1/groupe 1	A2/group 2 A2/groupe 2	A3/group 3 A3/groupe 3	A4/group 4 A4/groupe 4
0	0.5788	0.5788	0.5788	0.6229	0.6487	0.7081	0.7449
1	0.6127	0.6127	0.6127	0.6540	0.6864	0.7502	0.7926
2	0.6332	0.6332	0.6332	0.6989	0.7318	0.7969	0.8432
3	0.6523	0.6523	0.6523	0.7416	0.7743	0.8442	0.8925

Full years of teaching experience/Années complètes d'expérience en enseignement	Qualification Categories/Catégories de qualification						
	D	C	B	A1/group 1 A1/groupe 1	A2/group 2 A2/groupe 2	A3/group 3 A3/groupe 3	A4/group 4 A4/groupe 4
4	0.7149	0.7149	0.7149	0.7814	0.8158	0.8953	0.9443
5	0.7698	0.7698	0.7698	0.8234	0.8606	0.9435	0.9975
6	0.8225	0.8225	0.8225	0.8655	0.9042	0.9866	1.0473
7	0.8694	0.8694	0.8694	0.9073	0.9472	1.0363	1.0997
8	0.8900	0.8900	0.8900	0.9485	0.9876	1.0860	1.1512
9	0.9154	0.9154	0.9154	1.0025	1.0411	1.1534	1.2026
10	0.9667	0.9667	0.9667	1.0451	1.0989	1.2136	1.2949

TABLE/TABLEAU 9  
COST ADJUSTMENT AMOUNT FOR NON-TEACHERS/SOMME LIÉE AU REDRESSEMENT  
DES COÛTS POUR LE PERSONNEL NON ENSEIGNANT

Item/Point	Column/Colonne 1	Column/Colonne 2
	Name of Board/Nom du conseil	Amount/Montant \$
1.	District School Board Ontario North East	43,504
2.	Algoma District School Board	44,292
3.	Rainbow District School Board	43,864
4.	Near North District School Board	53,313
5.	Keewatin-Patricia District School Board	25,824
6.	Rainy River District School Board	12,637
7.	Lakehead District School Board	100,406
8.	Superior-Greenstone District School Board	22,133
9.	Bluewater District School Board	63,932
10.	Avon Maitland District School Board	17,353
11.	Greater Essex County District School Board	74,832
12.	Lambton Kent District School Board	62,048
13.	Thames Valley District School Board	123,157
14.	Toronto District School Board	1,783,586
15.	Durham District School Board	203,543
16.	Kawartha Pine Ridge District School Board	35,004
17.	Trillium Lakelands District School Board	30,303
18.	York Region District School Board	320,424
19.	Simcoe County District School Board	65,383
20.	Upper Grand District School Board	124,142
21.	Peel District School Board	487,062
22.	Halton District School Board	82,625
23.	Hamilton-Wentworth District School Board	97,364
24.	District School Board of Niagara	69,246
25.	Grand Erie District School Board	57,917
26.	Waterloo Region District School Board	124,765
27.	Ottawa-Carleton District School Board	139,671
28.	Upper Canada District School Board	81,675
29.	Limestone District School Board	53,177
30.	Renfrew County District School Board	16,633
31.	Hastings and Prince Edward District School Board	47,840
32.	Northeastern Catholic District School Board	12,670
33.	Nipissing-Parry Sound Catholic District School Board	19,392
34.	Huron-Superior Catholic District School Board	22,716
35.	Sudbury Catholic District School Board	26,651
36.	Northwest Catholic District School Board	3,995
37.	Kenora Catholic District School Board	9,676

Item/Point	Column/Colonne 1	Column/Colonne 2
	Name of Board/Nom du conseil	Amount/Montant \$
38.	Thunder Bay Catholic District School Board	18,990
39.	Superior North Catholic District School Board	5,253
40.	Bruce-Grey Catholic District School Board	4,174
41.	Huron Perth Catholic District School Board	10,026
42.	Windsor-Essex Catholic District School Board	105,851
43.	English-language Separate District School Board No. 38	67,100
44.	St. Clair Catholic District School Board	38,276
45.	Toronto Catholic District School Board	205,805
46.	Peterborough Victoria Northumberland and Clarington Catholic District School Board	42,225
47.	York Catholic District School Board	136,275
48.	Dufferin-Peel Catholic District School Board	357,612
49.	Simcoe Muskoka Catholic District School Board	83,274
50.	Durham Catholic District School Board	43,583
51.	Halton Catholic District School Board	18,288
52.	Hamilton-Wentworth Catholic District School Board	44,315
53.	Wellington Catholic District School Board	7,473
54.	Waterloo Catholic District School Board	25,645
55.	Niagara Catholic District School Board	38,970
56.	Brant Haldimand Norfolk Catholic District School Board	27,244
57.	Catholic District School Board of Eastern Ontario	56,112
58.	Ottawa-Carleton Catholic District School Board	161,022
59.	Renfrew County Catholic District School Board	17,193
60.	Algonquin and Lakeshore Catholic District School Board	43,732
61.	Conseil scolaire de district du Nord-Est de l'Ontario	12,798
62.	Conseil scolaire de district du Grand Nord de l'Ontario	18,672
63.	Conseil scolaire de district du Centre Sud-Ouest	38,390
64.	Conseil de district des écoles publiques de langue française n° 59	77,309
65.	Conseil scolaire de district catholique des Grandes Rivières	19,929
66.	Conseil scolaire de district catholique Franco-Nord	23,165
67.	Conseil scolaire de district catholique du Nouvel-Ontario	56,664
68.	Conseil scolaire de district catholique des Aurores boréales	8,158
69.	Conseil scolaire de district des écoles catholiques du Sud-Ouest	23,229
70.	Conseil scolaire de district catholique Centre-Sud	55,006
71.	Conseil scolaire de district catholique de l'Est ontarien	24,992
72.	Conseil scolaire de district catholique du Centre-Est de l'Ontario	66,927

TABLE/TABLEAU 10

AMOUNT FOR RENEWAL SOFTWARE LICENSING FEES/SOMME LIÉE AU RENOUVELLEMENT  
DES PERMIS D'UTILISATION DE LOGICIELS

Item/Point	Column/Colonne 1	Column/Colonne 2
	Name of Board/Nom du conseil	Allocation for Renewal Software Licensing Fee/Somme liée au renouvellement des permis d'utilisation de logiciels
1.	Algoma District School Board	\$14,728
2.	Algonquin and Lakeshore Catholic District School Board	\$9,044
3.	Avon Maitland District School Board	\$17,425
4.	Bluewater District School Board	\$17,821
5.	Brant Haldimand Norfolk Catholic District School Board	\$6,163
6.	Bruce-Grey Catholic District School Board	\$2,911
7.	Catholic District School Board of Eastern Ontario	\$8,231
8.	Conseil de district des écoles publiques de langue française n° 59	\$7,490
9.	Conseil scolaire de district catholique des Grandes Rivières	\$10,862
10.	Conseil scolaire de district catholique Centre-Sud	\$10,442
11.	Conseil scolaire de district catholique de l'Est ontarien	\$12,139

Item/Point	Column/Colonne 1	Column/Colonne 2
	Name of Board/Nom du conseil	Allocation for Renewal Software Licensing Fee/Somme liée au renouvellement des permis d'utilisation de logiciels
12.	Conseil scolaire de district catholique des Aurores boréales	\$620
13.	Conseil scolaire de district catholique du Centre-Est de l'Ontario	\$13,818
14.	Conseil scolaire de district catholique du Nouvel-Ontario	\$8,688
15.	Conseil scolaire de district catholique Franco-Nord	\$5,152
16.	Conseil scolaire de district des écoles catholiques du Sud-Ouest	\$6,123
17.	Conseil scolaire de district du Centre Sud-Ouest	\$9,229
18.	Conseil scolaire de district du Grand Nord de l'Ontario	\$3,845
19.	Conseil scolaire de district du Nord-Est de l'Ontario	\$853
20.	District School Board of Niagara	\$41,051
21.	District School Board Ontario North East	\$13,417
22.	Dufferin-Peel Catholic District School Board	\$41,028
23.	Durham Catholic District School Board	\$13,056
24.	Durham District School Board	\$37,502
25.	English-language Separate District School Board No. 38	\$13,545
26.	Grand Erie District School Board	\$25,152
27.	Greater Essex County District School Board	\$30,236
28.	Halton Catholic District School Board	\$12,968
29.	Halton District School Board	\$33,538
30.	Hamilton-Wentworth Catholic District School Board	\$20,354
31.	Hamilton-Wentworth District School Board	\$48,493
32.	Hastings and Prince Edward District School Board	\$16,342
33.	Huron Perth Catholic District School Board	\$2,853
34.	Huron-Superior Catholic District School Board	\$5,747
35.	Kawartha Pine Ridge District School Board	\$28,719
36.	Keewatin-Patricia District School Board	\$5,898
37.	Kenora Catholic District School Board	\$891
38.	Lakehead District School Board	\$12,468
39.	Lambton Kent District School Board	\$24,263
40.	Limestone District School Board	\$19,543
41.	Near North District School Board	\$11,892
42.	Niagara Catholic District School Board	\$14,962
43.	Nipissing-Parry Sound Catholic District School Board	\$3,826
44.	Northeastern Catholic District School Board	\$2,648
45.	Northwest Catholic District School Board	\$868
46.	Ottawa-Carleton Catholic District School Board	\$27,130
47.	Ottawa-Carleton District School Board	\$65,947
48.	Peel District School Board	\$68,019
49.	Peterborough Victoria Northumberland and Clarington Catholic District School Board	\$8,908
50.	Rainbow District School Board	\$17,507
51.	Rainy River District School Board	\$4,236
52.	Renfrew County Catholic District School Board	\$4,330
53.	Renfrew County District School Board	\$12,414
54.	Simcoe County District School Board	\$32,760
55.	Simcoe Muskoka Catholic District School Board	\$11,450
56.	St. Clair Catholic District School Board	\$9,304
57.	Sudbury Catholic District School Board	\$7,314
58.	Superior North Catholic District School Board	\$1,164
59.	Superior-Greenstone District School Board	\$4,165
60.	Thames Valley District School Board	\$64,853
61.	Thunder Bay Catholic District School Board	\$5,534
62.	Toronto Catholic District School Board	\$71,015
63.	Toronto District School Board	\$284,436
64.	Trillium Lakelands District School Board	\$15,018
65.	Upper Canada District School Board	\$29,960
66.	Upper Grand District School Board	\$21,000
67.	Waterloo Catholic District School Board	\$14,178
68.	Waterloo Region District School Board	\$38,590
69.	Wellington Catholic District School Board	\$4,534

Item/Point	Column/Colonne 1	Column/Colonne 2
	Name of Board/Nom du conseil	Allocation for Renewal Software Licensing Fee/Somme liée au renouvellement des permis d'utilisation de logiciels
70.	Windsor-Essex Catholic District School Board	\$17,122
71.	York Catholic District School Board	\$27,574
72.	York Region District School Board	\$51,553

TABLE/TABLEAU 11  
COMMUNITY USE OF SCHOOLS COMPENSATION AMOUNT/ALLOCATION D'UTILISATION  
COMMUNAUTAIRE DES ÉCOLES

Item/Point	Column/Colonne 1	Column/Colonne 2
	Name of Board/Nom du conseil	Amount/Montant \$
1.	Algoma District School Board	148,330
2.	Algonquin and Lakeshore Catholic District School Board	120,384
3.	Avon Maitland District School Board	189,493
4.	Bluewater District School Board	201,197
5.	Brant Haldimand Norfolk Catholic District School Board	105,630
6.	Bruce-Grey Catholic District School Board	33,507
7.	Catholic District School Board of Eastern Ontario	128,846
8.	Conseil de district des écoles publiques de langue française n° 59	119,730
9.	Conseil scolaire de district catholique des Grandes Rivières	109,110
10.	Conseil scolaire de district catholique Centre-Sud	127,025
11.	Conseil scolaire de district catholique de l'Est ontarien	129,169
12.	Conseil scolaire de district catholique des Aurores boréales	7,452
13.	Conseil scolaire de district catholique du Centre-Est de l'Ontario	172,649
14.	Conseil scolaire de district catholique du Nouvel-Ontario	88,436
15.	Conseil scolaire de district catholique Franco-Nord	49,698
16.	Conseil scolaire de district des écoles catholiques du Sud-Ouest	76,136
17.	Conseil scolaire de district du Centre Sud-Ouest	94,179
18.	Conseil scolaire de district du Grand Nord de l'Ontario	41,217
19.	Conseil scolaire de district du Nord-Est de l'Ontario	15,142
20.	District School Board of Niagara	426,073
21.	District School Board Ontario North East	132,155
22.	Dufferin-Peel Catholic District School Board	826,405
23.	Durham Catholic District School Board	222,909
24.	Durham District School Board	602,808
25.	English-language Separate District School Board No. 38	196,941
26.	Grand Erie District School Board	267,632
27.	Greater Essex County District School Board	352,700
28.	Halton Catholic District School Board	234,587
29.	Halton District School Board	411,614
30.	Hamilton-Wentworth Catholic District School Board	270,018
31.	Hamilton-Wentworth District School Board	516,949
32.	Hastings and Prince Edward District School Board	185,778
33.	Huron-Perth Catholic District School Board	43,405
34.	Huron-Superior Catholic District School Board	69,284
35.	Kawartha Pine Ridge District School Board	343,705
36.	Keewatin-Patricia District School Board	75,038
37.	Kenora Catholic District School Board	11,113
38.	Lakehead District School Board	132,369
39.	Lambton Kent District School Board	270,576
40.	Limestone District School Board	239,796
41.	Near North District School Board	133,874
42.	Niagara Catholic District School Board	225,907
43.	Nipissing-Parry Sound Catholic District School Board	40,138
44.	Northeastern Catholic District School Board	28,998
45.	Northwest Catholic District School Board	11,187
46.	Ottawa-Carleton Catholic District School Board	407,434
47.	Ottawa-Carleton District School Board	769,379
48.	Peel District School Board	1,242,647



Item/Point	Column/Colonne 1	Column/Colonne 2
	Name of Board/Nom du conseil	Amount/Montant \$
49.	Peterborough Victoria Northumberland and Clarington Catholic District School Board	145,228
50.	Rainbow District School Board	179,368
51.	Rainy River District School Board	37,040
52.	Renfrew County Catholic District School Board	51,104
53.	Renfrew County District School Board	128,801
54.	Simcoe County District School Board	482,631
55.	Simcoe Muskoka Catholic District School Board	201,866
56.	St. Clair Catholic District School Board	102,063
57.	Sudbury Catholic District School Board	73,223
58.	Superior North Catholic District School Board	13,883
59.	Superior-Greenstone District School Board	44,519
60.	Thames Valley District School Board	726,048
61.	Thunder Bay Catholic District School Board	71,575
62.	Toronto Catholic District School Board	826,645
63.	Toronto District School Board	3,003,553
64.	Trillium Lakelands District School Board	185,802
65.	Upper Canada District School Board	356,971
66.	Upper Grand District School Board	281,898
67.	Waterloo Catholic District School Board	204,641
68.	Waterloo Region District School Board	508,779
69.	Wellington Catholic District School Board	73,943
70.	Windsor-Essex Catholic District School Board	232,561
71.	York Catholic District School Board	475,081
72.	York Region District School Board	944,030

TABLE/TABLEAU 12

PERCENTAGE OF TOTAL AREA OF ELEMENTARY AND SECONDARY SCHOOLS LESS THAN 20 YEARS OLD  
OR 20 YEARS OR OLDER/POURCENTAGE DE LA SUPERFICIE TOTALE DES ÉCOLES ÉLÉMENTAIRES ET  
SECONDAIRES QUI DATENT DE MOINS DE 20 ANS OU DE 20 ANS OU PLUS

Item/Point	Column/Colonne 1	Column/Colonne 2	Column/Colonne 3	Column/Colonne 4	Column/Colonne 5
	Name of Board/Nom du conseil	% of Total Area of Elementary Schools that are Less than 20 Years Old/% de la superficie totale des écoles élémentaires qui datent de moins de 20 ans	% of Total Area of Elementary Schools that are 20 Years or Older/% de la superficie totale des écoles élémentaires qui datent de 20 ans ou plus	% of Total Area of Secondary Schools that are Less than 20 Years Old/% de la superficie totale des écoles secondaires qui datent de moins de 20 ans	% of Total Area of Secondary Schools that are 20 Years or Older/% de la superficie totale des écoles secondaires qui datent de 20 ans ou plus
1.	Algoma District School Board	3.85%	96.15%	0.00%	100.00%
2.	Algonquin and Lakeshore Catholic District School Board	14.50%	85.50%	57.79%	42.21%
3.	Avon Maitland District School Board	5.97%	94.03%	0.00%	100.00%
4.	Bluewater District School Board	5.84%	94.16%	11.49%	88.51%
5.	Brant Haldimand Norfolk Catholic District School Board	14.06%	85.94%	50.00%	50.00%
6.	Bruce-Grey Catholic District School Board	27.36%	72.64%	0.00%	100.00%
7.	Conseil de district des écoles publiques de langue française n° 59	39.90%	60.10%	14.24%	85.76%
8.	Conseil scolaire de district catholique Centre-Sud	48.01%	51.99%	46.63%	53.37%
9.	Conseil scolaire de district catholique de l'Est ontarien	10.89%	89.11%	0.00%	100.00%
10.	Conseil scolaire de district des écoles catholiques du Sud-Ouest	31.06%	68.94%	14.33%	85.67%
11.	Conseil scolaire de district catholique des Grandes Rivières	0.00%	100.00%	0.93%	99.07%
12.	Conseil scolaire de district catholique du Nouvel-Ontario	3.52%	96.48%	0.00%	100.00%

Item/ Point	Column/Colonne 1	Column/Colonne 2	Column/Colonne 3	Column/Colonne 4	Column/Colonne 5
	Name of Board/Nom du conseil	% of Total Area of Elementary Schools that are Less than 20 Years Old/% de la superficie totale des écoles élémentaires qui datent de moins de 20 ans	% of Total Area of Elementary Schools that are 20 Years or Older/% de la superficie totale des écoles élémentaires qui datent de 20 ans ou plus	% of Total Area of Secondary Schools that are Less than 20 Years Old/% de la superficie totale des écoles secondaires qui datent de moins de 20 ans	% of Total Area of Secondary Schools that are 20 Years or Older/% de la superficie totale des écoles secondaires qui datent de 20 ans ou plus
13.	Conseil scolaire de district du Nord-Est de l'Ontario	0.00%	100.00%	0.00%	100.00%
14.	Conseil scolaire de district catholique des Aurores boréales	0.00%	100.00%	0.00%	100.00%
15.	Conseil scolaire de district catholique du Centre-Est de l'Ontario	19.03%	80.97%	26.73%	73.27%
16.	Conseil scolaire de district du Grand Nord de l'Ontario	12.95%	87.05%	8.22%	91.78%
17.	Conseil scolaire de district catholique Franco-Nord	0.00%	100.00%	0.00%	100.00%
18.	Conseil scolaire de district du Centre Sud-Ouest	8.12%	91.88%	7.00%	93.00%
19.	District School Board Ontario North East	5.71%	94.29%	0.00%	100.00%
20.	District School Board of Niagara	4.96%	95.04%	0.71%	99.29%
21.	Dufferin-Peel Catholic District School Board	56.10%	43.90%	74.75%	25.25%
22.	Durham District School Board	39.36%	60.64%	15.07%	84.93%
23.	Durham Catholic District School Board	55.92%	44.08%	77.52%	22.48%
24.	Catholic District School Board of Eastern Ontario	27.22%	72.78%	80.15%	19.85%
25.	English-language Separate District School Board No. 38	9.38%	90.62%	64.35%	35.65%
26.	Grand Erie District School Board	5.20%	94.80%	6.33%	93.67%
27.	Greater Essex County District School Board	4.96%	95.04%	0.00%	100.00%
28.	Halton Catholic District School Board	38.04%	61.96%	57.50%	42.50%
29.	Halton District School Board	14.37%	85.63%	13.40%	86.60%
30.	Hamilton-Wentworth Catholic District School Board	17.77%	82.23%	67.39%	32.61%
31.	Hamilton-Wentworth District School Board	7.76%	92.24%	9.08%	90.92%
32.	Hastings and Prince Edward District School Board	3.10%	96.90%	0.00%	100.00%
33.	Huron-Perth Catholic District School Board	0.00%	100.00%	100.00%	0.00%
34.	Huron-Superior Catholic District School Board	0.00%	100.00%	0.00%	100.00%
35.	Kawartha Pine Ridge District School Board	17.29%	82.71%	0.00%	100.00%
36.	Keewatin-Patricia District School Board	14.24%	85.76%	0.00%	100.00%
37.	Kenora Catholic District School Board	14.24%	85.76%	100.00%	0.00%
38.	Lakehead District School Board	3.57%	96.43%	0.00%	100.00%
39.	Lambton Kent District School Board	2.31%	97.69%	0.00%	100.00%
40.	Limestone District School Board	5.13%	94.87%	0.33%	99.67%
41.	Near North District School Board	15.26%	84.74%	0.89%	99.11%
42.	Niagara Catholic District School Board	5.60%	94.40%	0.00%	100.00%
43.	Nipissing-Parry Sound Catholic District School Board	8.35%	91.65%	0.00%	100.00%
44.	Northeastern Catholic District School Board	6.35%	93.65%	0.00%	100.00%

Item/ Point	Column/Colonne 1	Column/Colonne 2	Column/Colonne 3	Column/Colonne 4	Column/Colonne 5
	Name of Board/Nom du conseil	% of Total Area of Elementary Schools that are Less than 20 Years Old/% de la superficie totale des écoles élémentaires qui datent de moins de 20 ans	% of Total Area of Elementary Schools that are 20 Years or Older/% de la superficie totale des écoles élémentaires qui datent de 20 ans ou plus	% of Total Area of Secondary Schools that are Less than 20 Years Old/% de la superficie totale des écoles secondaires qui datent de moins de 20 ans	% of Total Area of Secondary Schools that are 20 Years or Older/% de la superficie totale des écoles secondaires qui datent de 20 ans ou plus
45.	Northwest Catholic District School Board	32.66%	67.34%	0.00%	0.00%
46.	Ottawa-Carleton District School Board	19.51%	80.49%	7.42%	92.58%
47.	Ottawa-Carleton Catholic District School Board	26.08%	73.92%	28.35%	71.65%
48.	Peel District School Board	31.52%	68.48%	14.63%	85.37%
49.	Peterborough Victoria Northumberland & Clarington Catholic District School Board	40.72%	59.28%	100.00%	0.00%
50.	Rainbow District School Board	6.15%	93.85%	0.00%	100.00%
51.	Rainy River District School Board	7.46%	92.54%	0.00%	100.00%
52.	Renfrew County Catholic District School Board	0.00%	100.00%	36.32%	63.68%
53.	Renfrew County District School Board	6.41%	93.59%	0.00%	100.00%
54.	Simcoe County District School Board	20.09%	79.91%	0.00%	100.00%
55.	Simcoe Muskoka Catholic District School Board	64.54%	35.46%	100.00%	0.00%
56.	St. Clair Catholic District School Board	14.81%	85.19%	30.44%	69.56%
57.	Sudbury Catholic District School Board	0.00%	100.00%	26.36%	73.64%
58.	Superior North Catholic District School Board	10.53%	89.47%	0.00%	0.00%
59.	Superior-Greenstone District School Board	42.92%	57.08%	31.38%	68.62%
60.	Thames Valley District School Board	9.00%	91.00%	0.00%	100.00%
61.	Thunder Bay Catholic District School Board	6.83%	93.17%	0.00%	100.00%
62.	Toronto District School Board	7.98%	92.02%	2.07%	97.93%
63.	Toronto Catholic District School Board	10.50%	89.50%	19.59%	80.41%
64.	Trillium Lakelands District School Board	19.34%	80.66%	0.00%	100.00%
65.	Upper Grand District School Board	20.97%	79.03%	8.51%	91.49%
66.	Upper Canada District School Board	9.19%	90.81%	3.04%	96.96%
67.	Waterloo Region District School Board	20.08%	79.92%	5.03%	94.97%
68.	Waterloo Catholic District School Board	31.21%	68.79%	41.56%	58.44%
69.	Wellington Catholic District School Board	26.99%	73.01%	13.53%	86.47%
70.	Windsor-Essex Catholic District School Board	2.74%	97.26%	25.66%	74.34%
71.	York Catholic District School Board	65.29%	34.71%	85.24%	14.76%
72.	York Region District School Board	49.26%	50.74%	38.75%	61.25%

TABLE/TABLEAU 13

## SCHOOL RENEWAL ENHANCEMENT AMOUNT/AUGMENTATION AU TITRE DE LA RÉFECTION DES ÉCOLES

Item/Point	Column/Colonne 1	Column/Colonne 2
	Name of Board/Nom du conseil	Amount/Montant \$
1.	District School Board Ontario North East	296,769
2.	Algoma District School Board	610,342
3.	Rainbow District School Board	424,825

Item/Point	Column/Colonne 1	Column/Colonne 2
	Name of Board/Nom du conseil	Amount/Montant \$
4.	Near North District School Board	412,926
5.	Keewatin-Patricia District School Board	200,000
6.	Rainy River District School Board	200,000
7.	Lakehead District School Board	425,735
8.	Superior-Greenstone District School Board	200,000
9.	Bluewater District School Board	569,744
10.	Avon Maitland District School Board	613,151
11.	Greater Essex County District School Board	885,318
12.	Lambton Kent District School Board	720,778
13.	Thames Valley District School Board	937,238
14.	Toronto District School Board	4,724,847
15.	Durham District School Board	825,035
16.	Kawartha Pine Ridge District School Board	1,185,432
17.	Trillium Lakelands District School Board	229,255
18.	York Region District School Board	1,804,956
19.	Simcoe County District School Board	876,164
20.	Upper Grand District School Board	1,187,308
21.	Peel District School Board	1,934,039
22.	Halton District School Board	1,133,536
23.	Hamilton-Wentworth District School Board	1,480,155
24.	District School Board of Niagara	1,611,150
25.	Grand Erie District School Board	1,427,656
26.	Waterloo Region District School Board	1,262,811
27.	Ottawa-Carleton District School Board	2,744,424
28.	Upper Canada District School Board	2,055,456
29.	Limestone District School Board	784,094
30.	Renfrew County District School Board	673,097
31.	Hastings and Prince Edward District School Board	747,191
32.	Northeastern Catholic District School Board	200,000
33.	Nipissing-Parry Sound Catholic District School Board	200,000
34.	Huron-Superior Catholic District School Board	200,000
35.	Sudbury Catholic District School Board	200,000
36.	Northwest Catholic District School Board	200,000
37.	Kenora Catholic District School Board	200,000
38.	Thunder Bay Catholic District School Board	200,000
39.	Superior North Catholic District School Board	200,000
40.	Bruce-Grey Catholic District School Board	200,000
41.	Huron Perth Catholic District School Board	200,000
42.	Windsor-Essex Catholic District School Board	408,943
43.	English-language Separate District School Board No. 38	627,292
44.	St. Clair Catholic District School Board	200,000
45.	Toronto Catholic District School Board	3,519,937
46.	Peterborough Victoria Northumberland and Clarington Catholic District School Board	200,000
47.	York Catholic District School Board	322,699
48.	Dufferin-Peel Catholic District School Board	730,538
49.	Simcoe Muskoka Catholic District School Board	221,824
50.	Durham Catholic District School Board	258,352
51.	Halton Catholic District School Board	200,000
52.	Hamilton-Wentworth Catholic District School Board	538,288
53.	Wellington Catholic District School Board	200,000
54.	Waterloo Catholic District School Board	564,787
55.	Niagara Catholic District School Board	717,296
56.	Brant Haldimand Norfolk Catholic District School Board	200,000
57.	Catholic District School Board of Eastern Ontario	206,455
58.	Ottawa-Carleton Catholic District School Board	855,428
59.	Renfrew County Catholic District School Board	200,000
60.	Algonquin and Lakeshore Catholic District School Board	316,877
61.	Conseil scolaire de district du Nord-Est de l'Ontario	200,000
62.	Conseil scolaire de district du Grand Nord de l'Ontario	200,000
63.	Conseil scolaire de district du Centre Sud-Ouest	445,205
64.	Conseil de district des écoles publiques de langue française n° 59	224,712

Item/Point	Column/Colonne 1	Column/Colonne 2
	Name of Board/Nom du conseil	Amount/Montant \$
65.	Conseil scolaire de district catholique des Grandes Rivières	642,303
66.	Conseil scolaire de district catholique Franco-Nord	278,201
67.	Conseil scolaire de district catholique du Nouvel-Ontario	298,186
68.	Conseil scolaire de district catholique des Aurores boréales	200,000
69.	Conseil scolaire de district des écoles catholiques du Sud-Ouest	210,185
70.	Conseil scolaire de district catholique Centre-Sud	230,648
71.	Conseil scolaire de district catholique de l'Est ontarien	688,004
72.	Conseil scolaire de district catholique du Centre-Est de l'Ontario	654,625

TABLE/TABLEAU 14  
GEOGRAPHIC ADJUSTMENT FACTORS/FACTEURS DE REDRESSEMENT GÉOGRAPHIQUE

Item/Point	Column/Colonne 1	Column/Colonne 2	Column/Colonne 3
	Name of Board/Nom du conseil	1998 Geographic Adjustment Factor/Facteur de redressement géographique de 1998	2005 Geographic Adjustment Factor/Facteur de redressement géographique de 2005
1.	District School Board Ontario North East	1.120	1.290
2.	Algoma District School Board	1.106	1.150
3.	Rainbow District School Board	1.063	1.160
4.	Near North District School Board	1.042	1.140
5.	Keewatin-Patricia District School Board	1.144	1.390
6.	Rainy River District School Board	1.142	1.390
7.	Lakehead District School Board	1.080	1.220
8.	Superior-Greenstone District School Board	1.141	1.390
9.	Bluewater District School Board	1.007	1.010
10.	Avon Maitland District School Board	1.010	1.000
11.	Greater Essex County District School Board	1.000	0.970
12.	Lambton Kent District School Board	1.000	0.990
13.	Thames Valley District School Board	1.000	0.970
14.	Toronto District School Board	1.000	1.000
15.	Durham District School Board	1.000	0.980
16.	Kawartha Pine Ridge District School Board	1.003	0.990
17.	Trillium Lakelands District School Board	1.026	1.080
18.	York Region District School Board	1.000	1.000
19.	Simcoe County District School Board	1.000	1.000
20.	Upper Grand District School Board	1.000	0.980
21.	Peel District School Board	1.000	1.000
22.	Halton District School Board	1.000	0.990
23.	Hamilton-Wentworth District School Board	1.000	0.960
24.	District School Board of Niagara	1.000	0.970
25.	Grand Erie District School Board	1.000	0.990
26.	Waterloo Region District School Board	1.000	0.960
27.	Ottawa-Carleton District School Board	1.000	0.960
28.	Upper Canada District School Board	1.000	0.990
29.	Limestone District School Board	1.015	0.980
30.	Renfrew County District School Board	1.000	1.000
31.	Hastings and Prince Edward District School Board	1.025	0.990
32.	Northeastern Catholic District School Board	1.123	1.270
33.	Nipissing-Parry Sound Catholic District School Board	1.042	1.120
34.	Huron-Superior Catholic District School Board	1.104	1.130
35.	Sudbury Catholic District School Board	1.048	1.150
36.	Northwest Catholic District School Board	1.149	1.390
37.	Kenora Catholic District School Board	1.143	1.390
38.	Thunder Bay Catholic District School Board	1.074	1.200
39.	Superior North Catholic District School Board	1.146	1.390
40.	Bruce-Grey Catholic District School Board	1.007	1.010
41.	Huron Perth Catholic District School Board	1.011	1.000
42.	Windsor-Essex Catholic District School Board	1.000	0.960
43.	English-language Separate District School Board No. 38	1.000	0.960

Item/Point	Column/Colonne 1	Column/Colonne 2	Column/Colonne 3
	Name of Board/Nom du conseil	1998 Geographic Adjustment Factor/Facteur de redressement géographique de 1998	2005 Geographic Adjustment Factor/Facteur de redressement géographique de 2005
44.	St. Clair Catholic District School Board	1.000	0.980
45.	Toronto Catholic District School Board	1.000	1.000
46.	Peterborough Victoria Northumberland and Clarington Catholic District School Board	1.003	0.980
47.	York Catholic District School Board	1.000	1.000
48.	Dufferin-Peel Catholic District School Board	1.000	1.000
49.	Simcoe Muskoka Catholic District School Board	1.000	1.010
50.	Durham Catholic District School Board	1.000	0.970
51.	Halton Catholic District School Board	1.000	0.990
52.	Hamilton-Wentworth Catholic District School Board	1.000	0.950
53.	Wellington Catholic District School Board	1.000	0.970
54.	Waterloo Catholic District School Board	1.000	0.960
55.	Niagara Catholic District School Board	1.000	0.970
56.	Brant Haldimand Norfolk Catholic District School Board	1.000	0.980
57.	Catholic District School Board of Eastern Ontario	1.000	0.980
58.	Ottawa-Carleton Catholic District School Board	1.000	0.950
59.	Renfrew County Catholic District School Board	1.000	1.000
60.	Algonquin and Lakeshore Catholic District School Board	1.032	0.980
61.	Conseil scolaire de district du Nord-Est de l'Ontario	1.110	1.240
62.	Conseil scolaire de district du Grand Nord de l'Ontario	1.116	1.230
63.	Conseil scolaire de district du Centre Sud-Ouest	1.000	0.980
64.	Conseil de district des écoles publiques de langue française n° 59	1.000	0.960
65.	Conseil scolaire de district catholique des Grandes Rivières	1.123	1.300
66.	Conseil scolaire de district catholique Franco-Nord	1.043	1.150
67.	Conseil scolaire de district catholique du Nouvel-Ontario	1.118	1.190
68.	Conseil scolaire de district catholique des Aurores boréales	1.100	1.340
69.	Conseil scolaire de district des écoles catholiques du Sud-Ouest	1.000	0.970
70.	Conseil scolaire de district catholique Centre-Sud	1.000	0.980
71.	Conseil scolaire de district catholique de l'Est ontarien	1.000	1.010
72.	Conseil scolaire de district catholique du Centre-Est de l'Ontario	1.000	0.960

TABLE/TABLEAU 15

GOOD PLACES TO LEARN – STAGE 1 ALLOCATIONS/LIEUX PROPICES À L'APPRENTISSAGE – PREMIÈRE PHASE D'ALLOCATIONS

Item/Point	Column/Colonne 1	Column/Colonne 2
	Name of Board/Nom du conseil	Allocation to Address Urgent and High Priority Projects/Somme liée aux besoins urgents et importants \$
1.	District School Board Ontario North East	407,385
2.	Algoma District School Board	626,046
3.	Rainbow District School Board	818,346
4.	Near North District School Board	830,903
5.	Keewatin-Patricia District School Board	307,766
6.	Rainy River District School Board	78,026
7.	Lakehead District School Board	534,117
8.	Superior-Greenstone District School Board	109,018
9.	Bluewater District School Board	1,046,352
10.	Avon Maitland District School Board	1,144,715
11.	Greater Essex County District School Board	1,987,251
12.	Lambton Kent District School Board	1,013,342
13.	Thames Valley District School Board	2,845,218
14.	Toronto District School Board	12,760,658
15.	Durham District School Board	2,481,346
16.	Kawartha Pine Ridge District School Board	1,449,251
17.	Trillium Lakelands District School Board	423,213

Item/ Point	Column/Colonne 1	Column/Colonne 2
	Name of Board/Nom du conseil	Allocation to Address Urgent and High Priority Projects/Somme liée aux besoins urgents et importants \$
18.	York Region District School Board	1,990,313
19.	Simcoe County District School Board	2,434,190
20.	Upper Grand District School Board	1,122,197
21.	Peel District School Board	3,804,606
22.	Halton District School Board	1,459,684
23.	Hamilton-Wentworth District School Board	2,480,705
24.	District School Board of Niagara	3,616,792
25.	Grand Erie District School Board	1,444,476
26.	Waterloo Region District School Board	1,799,029
27.	Ottawa-Carleton District School Board	3,512,974
28.	Upper Canada District School Board	786,995
29.	Limestone District School Board	1,676,066
30.	Renfrew County District School Board	704,956
31.	Hastings and Prince Edward District School Board	1,291,739
32.	Northeastern Catholic District School Board	42,475
33.	Nipissing-Parry Sound Catholic District School Board	211,693
34.	Huron-Superior Catholic District School Board	257,101
35.	Sudbury Catholic District School Board	482,232
36.	Northwest Catholic District School Board	17,308
37.	Kenora Catholic District School Board	22,589
38.	Thunder Bay Catholic District School Board	408,038
39.	Superior North Catholic District School Board	105,074
40.	Bruce-Grey Catholic District School Board	105,582
41.	Huron-Perth Catholic District School Board	81,525
42.	Windsor-Essex Catholic District School Board	588,780
43.	English-language Separate District School Board No. 38	430,814
44.	St. Clair Catholic District School Board	286,864
45.	Toronto Catholic District School Board	2,711,441
46.	Peterborough Victoria Northumberland and Clarington Catholic District School Board	165,310
47.	York Catholic District School Board	758,235
48.	Dufferin-Peel Catholic District School Board	963,766
49.	Simcoe Muskoka Catholic District School Board	442,223
50.	Durham Catholic District School Board	202,625
51.	Halton Catholic District School Board	113,280
52.	Hamilton-Wentworth Catholic District School Board	579,304
53.	Wellington Catholic District School Board	119,995
54.	Waterloo Catholic District School Board	442,449
55.	Niagara Catholic District School Board	1,256,336
56.	Brant Haldimand Norfolk Catholic District School Board	271,813
57.	Catholic District School Board of Eastern Ontario	448,467
58.	Ottawa-Carleton Catholic District School Board	1,428,956
59.	Renfrew County Catholic District School Board	168,744
60.	Algonquin and Lakeshore Catholic District School Board	401,585
61.	Conseil scolaire de district du Nord-Est de l'Ontario	28,197
62.	Conseil scolaire de district du Grand Nord de l'Ontario	185,970
63.	Conseil scolaire de district du Centre Sud-Ouest	551,444
64.	Conseil de district des écoles publiques de langue française n° 59	442,378
65.	Conseil scolaire de district catholique des Grandes Rivières	367,083
66.	Conseil scolaire de district catholique Franco-Nord	259,891
67.	Conseil scolaire de district catholique du Nouvel-Ontario	557,094
68.	Conseil scolaire de district catholique des Aurores boréales	39,490
69.	Conseil scolaire de district des écoles catholiques du Sud-Ouest	288,374
70.	Conseil scolaire de district catholique Centre-Sud	478,083
71.	Conseil scolaire de district catholique de l'Est ontarien	825,086
72.	Conseil scolaire de district catholique du Centre-Est de l'Ontario	474,633

TABLE/TABLEAU 16  
OUTSTANDING CAPITAL COMMITMENTS/ENGAGEMENTS D'IMMOBILISATIONS NON RÉALISÉS

Item/ Point	Column/Colonne 1	Column/Colonne 2	Column/Colonne 3
	Board Name/Nom du conseil	Pupil Places — Elementary/Places à l'élémentaire	Pupil Places — Secondary/Places au secondaire
1.	Bluewater District School Board	0	111
2.	Conseil scolaire de district catholique de l'Est ontarien	41	0
3.	Conseil scolaire de district catholique Centre-Sud	0	452
4.	Conseil scolaire de district du Centre Sud-Ouest	144	0
5.	District School Board Ontario North East	281	0
6.	Dufferin-Peel Catholic District School Board	274	0
7.	Durham Catholic District School Board	79	0
8.	Greater Essex County District School Board	0	122
9.	Hamilton-Wentworth Catholic District School Board	204	224
10.	Keewatin-Patricia District School Board	69	0
11.	Near North District School Board	681	0
12.	Ottawa-Carleton District School Board	0	107
13.	Peel District School Board	0	83
14.	Simcoe County District School Board	91	0
15.	Simcoe Muskoka Catholic District School Board	274	0
16.	Superior-Greenstone District School Board	0	80
17.	Toronto Catholic District School Board	0	25
18.	Upper Grand District School Board	0	188

TABLE/TABLEAU 17

CAPITAL RELATED DEBT ELIGIBLE FOR FUNDING SUPPORT BY DISTRICT SCHOOL BOARD/DETTE LIÉE  
AUX IMMOBILISATIONS ADMISSIBLE À UN SOUTIEN FINANCIER, PAR CONSEIL SCOLAIRE DE DISTRICT

Item/ Point	Column/Colonne 1	Column/Colonne 2	Column/Colonne 3
		Outstanding Principal as at August 31, 2001/Capital impayé au 31 août 2001	
	Name of Board/Nom du conseil	Permanently Financed/Avec financement permanent \$	Non-permanently Financed/Sans financement permanent \$
1.	District School Board Ontario North East	2,284,000	3,902,251
2.	Algoma District School Board	935,011	0
3.	Rainbow District School Board	990,000	0
4.	Near North District School Board	991,784	5,277,832
5.	Keewatin-Patricia District School Board	2,038,438	9,353,273
6.	Rainy River District School Board	0	13,256,444
7.	Lakehead District School Board	13,846,787	1,329,751
8.	Superior-Greenstone District School Board	380,796	1,718,287
9.	Bluewater District School Board	7,057,791	10,584,205
10.	Avon Maitland District School Board	140,000	2,908,191
11.	Greater Essex County District School Board	5,322,280	23,888,134
12.	Lambton Kent District School Board	0	9,995,260
13.	Thames Valley District School Board	25,868,077	107,065,578
14.	Toronto District School Board	163,022,903	275,146,340
15.	Durham District School Board	30,619,000	0
16.	Kawartha Pine Ridge District School Board	17,945,659	15,044,574
17.	Trillium Lakelands District School Board	26,528,182	7,875,676
18.	York Region District School Board	66,296,399	11,433,816
19.	Simcoe County District School Board	34,727,890	27,129,972
20.	Upper Grand District School Board	8,046,000	11,377,073
21.	Peel District School Board	21,082,542	13,896,303
22.	Halton District School Board	39,359,093	7,293,741
23.	Hamilton-Wentworth District School Board	41,514,451	16,675,861
24.	District School Board of Niagara	1,987,230	9,176,721
25.	Grand Erie District School Board	6,515,674	3,520,453



Item/ Point	Column/Colonne 1	Column/Colonne 2	Column/Colonne 3
		Outstanding Principal as at August 31, 2001/Capital impayé au 31 août 2001	
	Name of Board/Nom du conseil	Permanently Financed/Avec financement permanent \$	Non-permanently Financed/Sans financement permanent \$
26.	Waterloo Region District School Board	13,089,250	1,407,664
27.	Ottawa-Carleton District School Board	19,695,586	33,867,011
28.	Upper Canada District School Board	13,087,000	0
29.	Limestone District School Board	1,720,215	6,139,800
30.	Renfrew County District School Board	326,000	3,361,213
31.	Hastings and Prince Edward District School Board	0	0
32.	Northeastern Catholic District School Board	5,074,104	0
33.	Nipissing-Parry Sound Catholic District School Board	3,157,000	0
34.	Huron-Superior Catholic District School Board	840,787	0
35.	Sudbury Catholic District School Board	2,032,787	185,141
36.	Northwest Catholic District School Board	0	0
37.	Kenora Catholic District School Board	2,120,648	0
38.	Thunder Bay Catholic District School Board	1,581,000	7,004,084
39.	Superior North Catholic District School Board	789,499	0
40.	Bruce-Grey Catholic District School Board	0	0
41.	Huron-Perth Catholic District School Board	0	1,823,717
42.	Windsor-Essex Catholic District School Board	21,728,370	21,647,385
43.	English-language Separate District School Board No. 38	13,163,955	5,331,454
44.	St. Clair Catholic District School Board	16,408,300	2,663,378
45.	Toronto Catholic District School Board	83,749,743	50,530,667
46.	Peterborough Victoria Northumberland and Clarington Catholic District School Board	25,502,314	0
47.	York Catholic District School Board	87,445,813	3,007,847
48.	Dufferin-Peel Catholic District School Board	15,560,434	45,225,666
49.	Simcoe Muskoka Catholic District School Board	33,717,356	5,411,046
50.	Durham Catholic District School Board	8,240,960	0
51.	Halton Catholic District School Board	29,596,207	635,900
52.	Hamilton-Wentworth Catholic District School Board	30,542,204	14,110,520
53.	Wellington Catholic District School Board	8,264,313	0
54.	Waterloo Catholic District School Board	31,488,696	5,341,898
55.	Niagara Catholic District School Board	37,971,903	1,576,995
56.	Brant Haldimand Norfolk Catholic District School Board	6,159,000	1,965,017
57.	Catholic District School Board of Eastern Ontario	5,113,271	5,138,565
58.	Ottawa-Carleton Catholic District School Board	23,375,000	4,537,537
59.	Renfrew County Catholic District School Board	313,062	8,891,329
60.	Algonquin and Lakeshore Catholic District School Board	4,534,944	10,286,245
61.	Conseil scolaire de district du Nord-Est de l'Ontario	0	1,561,697
62.	Conseil scolaire de district du Grand Nord de l'Ontario	0	0
63.	Conseil scolaire de district du Centre Sud-Ouest	4,107,626	7,652,471
64.	Conseil de district des écoles publiques de langue française n° 59	2,590,831	2,823,908
65.	Conseil scolaire de district catholique des Grandes Rivières	3,327,994	391,453
66.	Conseil scolaire de district catholique Franco-Nord	0	1,416,482
67.	Conseil scolaire de district catholique du Nouvel-Ontario	792,253	629,797
68.	Conseil scolaire de district catholique des Aurores boréales	0	0
69.	Conseil scolaire de district des écoles catholiques du Sud-Ouest	0	13,125,508
70.	Conseil scolaire de district catholique Centre-Sud	0	14,404,135
71.	Conseil scolaire de district catholique de l'Est ontarien	3,850,994	1,003,420
72.	Conseil scolaire de district catholique du Centre-Est de l'Ontario	13,648,851	11,237,346

TABLE/TABLEAU 18

PER PUPIL EXCLUSION FOR DECLINING ENROLMENT ADJUSTMENT/MONTANT PAR ÉLÈVE À EXCLURE DU REDRESSEMENT POUR BAISSÉ DES EFFECTIFS

Item/Point	Column/Colonne 1	Column/Colonne 2
	Name of Board/Nom du conseil	Amount/Montant \$
1.	District School Board Ontario North East	356.35

Item/Point	Column/Colonne 1	Column/Colonne 2
	Name of Board/Nom du conseil	Amount/Montant \$
2.	Algoma District School Board	325.34
3.	Rainbow District School Board	283.21
4.	Near North District School Board	283.28
5.	Keewatin-Patricia District School Board	318.19
6.	Rainy River District School Board	354.67
7.	Lakehead District School Board	278.39
8.	Superior-Greenstone District School Board	374.41
9.	Bluewater District School Board	274.61
10.	Avon Maitland District School Board	266.48
11.	Greater Essex County District School Board	236.21
12.	Lambton Kent District School Board	270.05
13.	Thames Valley District School Board	239.46
14.	Toronto District School Board	242.33
15.	Durham District School Board	240.75
16.	Kawartha Pine Ridge District School Board	246.23
17.	Trillium Lakelands District School Board	257.98
18.	York Region District School Board	244.75
19.	Simcoe County District School Board	242.52
20.	Upper Grand District School Board	241.23
21.	Peel District School Board	234.77
22.	Halton District School Board	237.41
23.	Hamilton-Wentworth District School Board	240.06
24.	District School Board of Niagara	263.41
25.	Grand Erie District School Board	265.34
26.	Waterloo Region District School Board	240.71
27.	Ottawa-Carleton District School Board	248.76
28.	Upper Canada District School Board	265.84
29.	Limestone District School Board	253.04
30.	Renfrew County District School Board	318.93
31.	Hastings and Prince Edward District School Board	256.88
32.	Northeastern Catholic District School Board	257.73
33.	Nipissing-Parry Sound Catholic District School Board	258.96
34.	Huron-Superior Catholic District School Board	262.24
35.	Sudbury Catholic District School Board	266.45
36.	Northwest Catholic District School Board	226.04
37.	Kenora Catholic District School Board	265.15
38.	Thunder Bay Catholic District School Board	243.51
39.	Superior North Catholic District School Board	364.57
40.	Bruce-Grey Catholic District School Board	257.67
41.	Huron Perth Catholic District School Board	245.67
42.	Windsor-Essex Catholic District School Board	241.47
43.	English-language Separate District School Board No. 38	242.28
44.	St. Clair Catholic District School Board	233.78
45.	Toronto Catholic District School Board	235.78
46.	Peterborough Victoria Northumberland and Clarington Catholic District School Board	247.97
47.	York Catholic District School Board	233.16
48.	Dufferin-Peel Catholic District School Board	245.49
49.	Simcoe Muskoka Catholic District School Board	242.30
50.	Durham Catholic District School Board	241.01
51.	Halton Catholic District School Board	235.67
52.	Hamilton-Wentworth Catholic District School Board	239.85
53.	Wellington Catholic District School Board	231.00
54.	Waterloo Catholic District School Board	233.31
55.	Niagara Catholic District School Board	238.12
56.	Brant Haldimand Norfolk Catholic District School Board	238.27
57.	Catholic District School Board of Eastern Ontario	245.58
58.	Ottawa-Carleton Catholic District School Board	243.29
59.	Renfrew County Catholic District School Board	239.81
60.	Algonquin and Lakeshore Catholic District School Board	251.21
61.	Conseil scolaire de district du Nord-Est de l'Ontario	319.68
62.	Conseil scolaire de district du Grand Nord de l'Ontario	355.44

Item/Point	Column/Colonne 1	Column/Colonne 2
	Name of Board/Nom du conseil	Amount/Montant \$
63.	Conseil scolaire de district du Centre Sud-Ouest	253.49
64.	Conseil de district des écoles publiques de langue française n° 59	271.34
65.	Conseil scolaire de district catholique des Grandes Rivières	340.37
66.	Conseil scolaire de district catholique Franco-Nord	371.66
67.	Conseil scolaire de district catholique du Nouvel-Ontario	356.19
68.	Conseil scolaire de district catholique des Aurores boréales	279.83
69.	Conseil scolaire de district des écoles catholiques du Sud-Ouest	246.18
70.	Conseil scolaire de district catholique Centre-Sud	233.60
71.	Conseil scolaire de district catholique de l'Est ontarien	298.97
72.	Conseil scolaire de district catholique du Centre-Est de l'Ontario	243.87

TABLE/TABLEAU 19

## CLASSROOM EXPENDITURE PERCENTAGES/POURCENTAGES DES DÉPENSES LIÉES AUX CLASSES

Item/Point	Column/Colonne 1	Column/Colonne 2	Column/Colonne 3
	Amounts/Sommes	Elementary % allocated to the classroom/% alloué aux classes de l'élémentaire	Secondary % allocated to the classroom/% alloué aux classes du secondaire
1.	Foundation Allocation/Élément éducation de base	86.50%	89.39%
2.	Teacher qualification and experience/Rémunération des enseignants	100.00%	100.00%
3.	Remote & Rural Allocation/Élément conseils ruraux et éloignés	78.21%	76.42%
4.	Adult Day School/Éducation des adultes de jour		89.97%
5.	Native Language and French as a First or Second Language/Langue autochtone et français langue première ou langue seconde	97.96%	98.02%
6.	ESL/ESD/PDF	96.00%	98.05%
7.	ALF	98.39%	97.65%
8.	Learning Opportunities/Programmes d'aide à l'apprentissage	81.96%	82.13%

TABLE/TABLEAU 20

## RURAL SCHOOLS/ÉCOLES RURALES

Item/Point	Column/Colonne 1	Column/Colonne 2	Column/Colonne 3	Column/Colonne 4	Column/Colonne 5
	Name of Board/Nom du conseil	SFIS No./N° du SIIS	Elementary School/École élémentaire	Secondary School/École secondaire	Location/Lieu
1.	Algoma District School Board	208	Blind River PS		Blind River
2.	Algoma District School Board	5235		W C Eaket SS	Blind River
3.	Algoma District School Board	271	Arthur Henderson PS		Town of Bruce Mines
4.	Algoma District School Board	2930	Arthur Henderson - A PS		Town of Bruce Mines
5.	Algoma District School Board	7609		Chapleau, Es	Township of Chapleau
6.	Algoma District School Board	7611	Chapleau Public School		Township of Chapleau
7.	Algoma District School Board	1219	Johnson-Tarbutt Central PS		Township of Johnson
8.	Algoma District School Board	5206		Central Algoma SS	Township of Johnson
9.	Algoma District School Board	698	Echo Bay Central PS		Township of Macdonald, Meredith And Aberdeen Additional
10.	Algoma District School Board	1306	Laird Central PS		Township of Laird
11.	Algoma District School Board	800	Mountain View PS		Goulais River
12.	Algoma District School Board	7598		Hornepayne HS	Township of Hornepayne
13.	Algoma District School Board	9325	Hornepayne Public School		Township of Hornepayne

Item/ Point	Column/Colonne 1	Column/Colonne 2	Column/Colonne 3	Column/Colonne 4	Column/Colonne 5
	Name of Board/Nom du conseil	SFIS No./N° du SIIS	Elementary School/École élémentaire	Secondary School/École secondaire	Location/Lieu
14.	Algoma District School Board	1151	Iron Bridge PS		Municipality of Huron Shores
15.	Algoma District School Board	2219	St Joseph Island Central S		Township of St. Joseph
16.	Algoma District School Board	114	Aweres 1 PS		City of Sault Ste. Marie
17.	Algoma District School Board	969	Greenwood PS		City of Sault Ste. Marie
18.	Algoma District School Board	1946	R M Moore PS		City of Sault Ste. Marie
19.	Algoma District School Board	2279	Tarentorus PS		City of Sault Ste. Marie
20.	Algoma District School Board	3010	Rockhaven TR School		Serpent River
21.	Algoma District School Board	2119	Spanish PS		Township of Shedden
22.	Algoma District School Board	2300	Thessalon PS (Annex-Federation St)		Town of Thessalon
23.	Algoma District School Board	6288	Thessalon PS		Town of Thessalon
24.	Algoma District School Board	7600	Sir James Dunn P.S.		Township of Michipicoten
25.	Algoma District School Board	7601		Michipicoten HS	Township of Michipicoten
26.	Algonquin and Lakeshore Catholic District School Board	9231	Our Lady of Mercy Catholic School		Town of Bancroft
27.	Algonquin and Lakeshore Catholic District School Board	9225	Sacred Heart Catholic School, Batawa		City of Quinte West
28.	Algonquin and Lakeshore Catholic District School Board	6525	St Mary Catholic School, Enterprise		Township of Stone Mills
29.	Algonquin and Lakeshore Catholic District School Board	6526	St Patrick Catholic School, Erinsville		Township of Stone Mills
30.	Algonquin and Lakeshore Catholic District School Board	4381	St Patrick Catholic School, Harrowsmith		Township of South Frontenac
31.	Algonquin and Lakeshore Catholic District School Board	3302	Holy Name Catholic School		City of Kingston
32.	Algonquin and Lakeshore Catholic District School Board	9229	Sacred Heart Catholic School, Marmora		Municipality of Marmora And Lake
33.	Algonquin and Lakeshore Catholic District School Board	9226	Holy Name of Mary Catholic School		Township of Tyendinaga
34.	Algonquin and Lakeshore Catholic District School Board	9227	St Gregory Catholic School		City of Prince Edward County
35.	Algonquin and Lakeshore Catholic District School Board	9228	St Mary Catholic School, Read		Township of Tyendinaga
36.	Algonquin and Lakeshore Catholic District School Board	6527	St James Major Catholic School		Township of Central Frontenac
37.	Algonquin and Lakeshore Catholic District School Board	9230	St Carthagh Catholic School		Municipality of Tweed
38.	Algonquin and Lakeshore Catholic District School Board	9233	St Martin Catholic School		Township of South Algonquin
39.	Algonquin and Lakeshore Catholic District School Board	6528	Sacred Heart Catholic School, Wolfe Island		Township of Frontenac Islands
40.	Avon Maitland District School Board	731	Elma Township		Town of North Perth
41.	Avon Maitland District School Board	165	East Wawanosh PS		Township of North Huron
42.	Avon Maitland District School Board	213	Blyth PS		Township of North Huron
43.	Avon Maitland District School Board	1134	Huron Centennial S		Municipality of Bluewater
44.	Avon Maitland District School Board	275	Brussels PS		Municipality of Huron East
45.	Avon Maitland District School Board	467	Clinton PS		Municipality of Central Huron
46.	Avon Maitland District School Board	1102	Holmesville PS		Municipality of Central Huron
47.	Avon Maitland District School Board	5272		Central Huron SS	Municipality of Central Huron

Item/ Point	Column/Colonne 1	Column/Colonne 2	Column/Colonne 3	Column/Colonne 4	Column/Colonne 5
	Name of Board/Nom du conseil	SFIS No./N° du SIIS	Elementary School/École élémentaire	Secondary School/École secondaire	Location/Lieu
48.	Avon Maitland District School Board	2230	Stephen Central PS		Municipality of South Huron
49.	Avon Maitland District School Board	973	Grey Central PS		Municipality of Huron East
50.	Avon Maitland District School Board	771	Exeter PS		Municipality of South Huron
51.	Avon Maitland District School Board	2347	Usborne Central S		Municipality of South Huron
52.	Avon Maitland District School Board	5665		South Huron DHS	Municipality of South Huron
53.	Avon Maitland District School Board	2585	Colborne Central S		Township of Ashfield-Colborne-Wawanosh
54.	Avon Maitland District School Board	1115	Howick Central S		Township of Howick
55.	Avon Maitland District School Board	2412	Wallace PS		Town of North Perth
56.	Avon Maitland District School Board	1048	Hensall PS		Municipality of Bluewater
57.	Avon Maitland District School Board	1119	Hullett Central PS		Municipality of Central Huron
58.	Avon Maitland District School Board	266	Brookside PS		Township of Ashfield-Colborne-Wawanosh
59.	Avon Maitland District School Board	1549	Milverton PS		Township of Perth East
60.	Avon Maitland District School Board	1555		Mitchell DHS	Municipality of West Perth
61.	Avon Maitland District School Board	2346	Upper Thames E S		Municipality of West Perth
62.	Avon Maitland District School Board	5526	Mitchell PS		Municipality of West Perth
63.	Avon Maitland District School Board	1566	Mornington Central PS		Township of Perth East
64.	Avon Maitland District School Board	5634	Seaforth PS		Municipality of Huron East
65.	Avon Maitland District School Board	384	Central Perth E S		Township of Perth East
66.	Avon Maitland District School Board	2207	Sprucedale PS		Township of Perth East
67.	Avon Maitland District School Board	2184	South Perth Centennial PS		Township of Perth South
68.	Avon Maitland District School Board	609	Downie Central PS		Township of Perth South
69.	Avon Maitland District School Board	1652	North Easthope PS		Township of Perth East
70.	Avon Maitland District School Board	2334	Turnberry Central PS		Municipality of Morris-Turnberry
71.	Avon Maitland District School Board	2537	Wingham PS		Township of North Huron
72.	Avon Maitland District School Board	5763		F E Madill SS	Township of North Huron
73.	Avon Maitland District School Board	2590	Zurich PS		Municipality of Bluewater
74.	Bluewater District School Board	1640	Normanby Community S		Township of West Grey
75.	Bluewater District School Board	713	Kinghurst PS		Municipality of Arran-Elderslie
76.	Bluewater District School Board	6083		Chesley District High School	Municipality of Arran-Elderslie
77.	Bluewater District School Board	2254	Sullivan Community S		Township of Chatsworth

Item/ Point	Column/Colonne 1	Column/Colonne 2	Column/Colonne 3	Column/Colonne 4	Column/Colonne 5
	Name of Board/Nom du conseil	SFIS No./N° du SIIS	Elementary School/École élémentaire	Secondary School/École secondaire	Location/Lieu
78.	Bluewater District School Board	1894	Dundalk & Proton Community S		Township of Southgate
79.	Bluewater District School Board	9315	Dundalk Highpoint School		Township of Southgate
80.	Bluewater District School Board	653	Spruce Ridge Elementary		Township of West Grey
81.	Bluewater District School Board	5404		Grey Highlands SS	Municipality of Grey Highlands
82.	Bluewater District School Board	10582	Macphail Memorial Elementary School		Municipality of Grey Highlands
83.	Bluewater District School Board	1049	Hepworth Central School		Town of The South Bruce Peninsula
84.	Bluewater District School Board	1099	Holland-Chatsworth Central S		Township of Chatsworth
85.	Bluewater District School Board	710	Egremont Community S		Township of Southgate
86.	Bluewater District School Board	1265	Kincardine Township-Tiverton PS		Municipality of Kincardine
87.	Bluewater District School Board	272	Bruce Peninsula District S(Elem)		Municipality of Northern Bruce Peninsula
88.	Bluewater District School Board	273		Bruce Peninsula District S (Sec)	Municipality of Northern Bruce Peninsula
89.	Bluewater District School Board	1399	Lucknow Central PS		Township of Huron-Kinloss
90.	Bluewater District School Board	1464	Beavercrest Community S		Municipality of Grey Highlands
91.	Bluewater District School Board	385	Osprey Central S		Municipality of Grey Highlands
92.	Bluewater District School Board	1537	Mildmay-Carrick Central S		Municipality of South Bruce
93.	Bluewater District School Board	1744	Paisley Central School		Municipality of Arran-Elderslie
94.	Bluewater District School Board	1651	Northport E S		Town of Saugeen Shores
95.	Bluewater District School Board	1842	Port Elgin-Saugeen Central S		Town of Saugeen Shores
96.	Bluewater District School Board	5626		Saugeen DSS	Town of Saugeen Shores
97.	Bluewater District School Board	9373	Ripley Huron Community School		Township of Huron-Kinloss
98.	Bluewater District School Board	54	Amabel-Sauble Community S		Town of The South Bruce Peninsula
99.	Bluewater District School Board	2189	G C Huston P S		Town of Saugeen Shores
100.	Bluewater District School Board	98	Arran Tara E S		Municipality of Arran-Elderslie
101.	Bluewater District School Board	1080	Hillcrest Central S		Municipality of South Bruce
102.	Bluewater District School Board	2303	Beaver Valley Community S		Town of The Blue Mountains
103.	Bluewater District School Board	2214	St Edmunds PS		Municipality of Northern Bruce Peninsula
104.	Bluewater District School Board	229	Brant Township Central S		Municipality of Brockton
105.	Bluewater District School Board	2411	Walkerton PS		Municipality of Brockton
106.	Bluewater District School Board	5726		Walkerton DSS	Municipality of Brockton

Item/ Point	Column/Colonne 1	Column/Colonne 2	Column/Colonne 3	Column/Colonne 4	Column/Colonne 5
	Name of Board/Nom du conseil	SFIS No./N° du SIIS	Elementary School/École élémentaire	Secondary School/École secondaire	Location/Lieu
107.	Bluewater District School Board	2499	Wiarion PS		Town of The South Bruce Peninsula
108.	Bluewater District School Board	5759		Wiarion DHS	Town of The South Bruce Peninsula
109.	Brant Haldimand Norfolk Catholic District School Board	4489	St Theresa Sep S		City of Brant County
110.	Brant Haldimand Norfolk Catholic District School Board	3069	Blessed Sacrament Sep S		City of Brant County
111.	Brant Haldimand Norfolk Catholic District School Board	4469	St Stephens S		Corporation of Haldimand County
112.	Brant Haldimand Norfolk Catholic District School Board	3522	Our Lady of Fatima Sep S		Corporation of Norfolk County
113.	Brant Haldimand Norfolk Catholic District School Board	4285	St Marys S		Corporation of Haldimand County
114.	Brant Haldimand Norfolk Catholic District School Board	3536	Our Lady of La Salette Sep S		Corporation of Norfolk County
115.	Brant Haldimand Norfolk Catholic District School Board	3660	Sacred Heart S		Corporation of Norfolk County
116.	Brant Haldimand Norfolk Catholic District School Board	3842	St Cecilia's S		Corporation of Norfolk County
117.	Brant Haldimand Norfolk Catholic District School Board	3763	St Anthony Daniel		City of Brant County
118.	Brant Haldimand Norfolk Catholic District School Board	4318	St Michaels Sep		Corporation of Norfolk County
119.	Brant Haldimand Norfolk Catholic District School Board	3810	St Bernard of Clairvaux S		Corporation of Norfolk County
120.	Bruce-Grey Catholic District School Board	3249	Mary Immaculate Community S		Municipality of Brockton
121.	Bruce-Grey Catholic District School Board	3184	St Peter's & St Paul's Sep S		Township of West Grey
122.	Bruce-Grey Catholic District School Board	3327	Immaculate Conception Sep S		Municipality of South Bruce
123.	Bruce-Grey Catholic District School Board	3421	Sacred Heart S		Municipality of South Bruce
124.	Bruce-Grey Catholic District School Board	3595	St Joseph's S		Town of Saugeen Shores
125.	Bruce-Grey Catholic District School Board	4572	Sacred Heart Sep S		Municipality of South Bruce
126.	Bruce-Grey Catholic District School Board	3434	Mother Teresa		Municipality of Brockton
127.	Bruce-Grey Catholic District School Board	3661		Sacred Heart HS	Municipality of Brockton
128.	Conseil de district des écoles publiques de langue française n° 59	4081	É.é. Terre des jeunes		Township of North Glengarry
129.	Conseil de district des écoles publiques de langue française n° 59	9868	École publique de la rivière Castor		Township of Russell
130.	Conseil de district des écoles publiques de langue française n° 59	9869	É.é.p. Des Sentiers		City of Ottawa
131.	Conseil de district des écoles publiques de langue française n° 59	9980		École secondaire publique Gisele Lalonde	City of Ottawa
132.	Conseil scolaire de district catholique des Grandes Rivières	3360		Jeunesse-Nord, ES	Town of Cochrane
133.	Conseil scolaire de district catholique des Grandes Rivières	4096	Saint-Joseph, Ecole		Town of Cochrane

Item/ Point	Column/Colonne 1	Column/Colonne 2	Column/Colonne 3	Column/Colonne 4	Column/Colonne 5
	Name of Board/Nom du conseil	SFIS No./N° du SIIS	Elementary School/École élémentaire	Secondary School/École secondaire	Location/Lieu
134.	Conseil scolaire de district catholique des Grandes Rivières	7734	Assomption, Ecole		Township of Armstrong
135.	Conseil scolaire de district catholique des Grandes Rivières	3678	Sainte-Jeanne-d Arc, E. sep.		Township of Fauquier-Strickland
136.	Conseil scolaire de district catholique des Grandes Rivières	7739	Sainte-Croix, Ecole		Township of Dymond
137.	Conseil scolaire de district catholique des Grandes Rivières	4010	Pavillon Notre-Dame, E. sep./Louisbourg		Town of Hearst
138.	Conseil scolaire de district catholique des Grandes Rivières	4169	Saint-Louis, E. sep.		Town of Hearst
139.	Conseil scolaire de district catholique des Grandes Rivières	4543	Sainte-Anne, E. sep.		Town of Hearst
140.	Conseil scolaire de district catholique des Grandes Rivières	9302		Hearst, Ecole Sec	Town of Hearst
141.	Conseil scolaire de district catholique des Grandes Rivières	3024		Alex-Pelletier, E.s.	Town of Iroquois Falls
142.	Conseil scolaire de district catholique des Grandes Rivières	4568	Saints-Martyrs-Canadiens, E. sep.		Town of Iroquois Falls
143.	Conseil scolaire de district catholique des Grandes Rivières	3960	Saint-Franeois-Xavier, E. sep.		Township of Mattice-Val Cot+
144.	Conseil scolaire de district catholique des Grandes Rivières	3217	Saint-Jules, E. sep.		Township of Moonbeam
145.	Conseil scolaire de district catholique des Grandes Rivières	7738	Saint-Michel, Ecole		Township of Dymond
146.	Conseil scolaire de district catholique des Grandes Rivières	7742		Sainte-Marie, Ecole secondaire	Township of Dymond
147.	Conseil scolaire de district catholique des Grandes Rivières	7758	Sacre-Coeur, Ecole		Township of Dymond
148.	Conseil scolaire de district catholique des Grandes Rivières	6473	St-Antoine-de-Padoue, E. sep.		Township of Opatatika
149.	Conseil scolaire de district catholique des Grandes Rivières	7714	St-Jude, Ecole		City of Timmins
150.	Conseil scolaire de district catholique des Grandes Rivières	4490	Sainte-Therese, E. sep.		Township of Black River-Matheson
151.	Conseil scolaire de district catholique des Grandes Rivières	4320		Smooth Rock Falls, (E.e. George Vanier)	Town of Smooth Rock Falls
152.	Conseil scolaire de district catholique des Grandes Rivières	6474	Georges-Vanier		Town of Smooth Rock Falls
153.	Conseil scolaire de district catholique des Grandes Rivières	3341	Immaculee-Conception, E. sep.		Township of Black River-Matheson



Item/ Point	Column/Colonne 1	Column/Colonne 2	Column/Colonne 3	Column/Colonne 4	Column/Colonne 5
	Name of Board/Nom du conseil	SFIS No./N° du SIIS	Elementary School/École élémentaire	Secondary School/École secondaire	Location/Lieu
154.	Conseil scolaire de district catholique des Grandes Rivières	3576	Sainte-Rita, E. sep.		Township of Val Rita-Harty
155.	Conseil scolaire de district catholique des Grandes Rivières	7737	Saint-Louis, Ecole		Township of Mcgarry
156.	Conseil scolaire de district catholique Centre-Sud	8279	ÉE Marguerite-Bourgeois		Cfb Borden
157.	Conseil scolaire de district catholique Centre-Sud	8284	ÉE Sainte-Croix		Township of Tiny
158.	Conseil scolaire de district catholique de l'est Ontarien	3612		Le Relais, E.s.	Township of North Glengarry
159.	Conseil scolaire de district catholique de l'est Ontarien	3621	Elda-Rouleau, E		Township of North Glengarry
160.	Conseil scolaire de district catholique de l'est Ontarien	6202	St-Victor, E		Township of Alfred And Plantagenet
161.	Conseil scolaire de district catholique de l'est Ontarien	3143	Sacre-Coeur, E. sep.		City of Clarence-Rockland
162.	Conseil scolaire de district catholique de l'est Ontarien	3115		De Casselman, E.s.	Village of Casselman
163.	Conseil scolaire de district catholique de l'est Ontarien	4370	Saint-Paul, E. sep.		Village of Casselman
164.	Conseil scolaire de district catholique de l'est Ontarien	6210	Sainte-Euphemie, E		Village of Casselman
165.	Conseil scolaire de district catholique de l'est Ontarien	6250		SEFA Campus Casselman	Village of Casselman
166.	Conseil scolaire de district catholique de l'est Ontarien	6207	Ste-Felicite, E		City of Clarence-Rockland
167.	Conseil scolaire de district catholique de l'est Ontarien	3220	Notre-Dame-du-Rosaire, E. sep.		Township of North Stormont
168.	Conseil scolaire de district catholique de l'est Ontarien	3180		Embrun, E.s.	Township of Russell
169.	Conseil scolaire de district catholique de l'est Ontarien	3627	Saint-Jean, E. sep.		Township of Russell
170.	Conseil scolaire de district catholique de l'est Ontarien	9446	Saint-Jean E. sep (Annexe Rue Notre Dame)		Township of Russell
171.	Conseil scolaire de district catholique de l'est Ontarien	3385	Laurier-Carriere, E		Township of North Glengarry
172.	Conseil scolaire de district catholique de l'est Ontarien	3129	Sainte-Marie, E		Township of South Glengarry
173.	Conseil scolaire de district catholique de l'est Ontarien	3141	Saint-Mathieu, E. sep.		City of Clarence-Rockland
174.	Conseil scolaire de district catholique de l'est Ontarien	4094	Saint-Joseph, E. sep.		Township of South Glengarry
175.	Conseil scolaire de district catholique de l'est Ontarien	4128	Saint-Joseph, E. sep.		Township of Alfred And Plantagenet
176.	Conseil scolaire de district catholique de l'est Ontarien	4521	Saint-Viateur, E. sep.		Township of Russell
177.	Conseil scolaire de district catholique de l'est Ontarien	6212	Saint-Viateur, E. sep. (Annexe-Rue Mable)		Municipality of The Nation
178.	Conseil scolaire de district catholique de l'est Ontarien	3150	Sainte-Lucie, E. sep.		Township of South Stormont
179.	Conseil scolaire de district catholique de l'est Ontarien	4025	Saint-Jean-Baptiste, E. sep.		Township of Champlain
180.	Conseil scolaire de district catholique de l'est Ontarien	3806	Saint-Bernard		Township of North Glengarry
181.	Conseil scolaire de district catholique de l'est Ontarien	3375	La Source, E. sep.		Township of North Stormont
182.	Conseil scolaire de district catholique de l'est Ontarien	3607		Plantagenet, E.s.	Township of Alfred And Plantagenet

Item/ Point	Column/Colonne 1	Column/Colonne 2	Column/Colonne 3	Column/Colonne 4	Column/Colonne 5
	Name of Board/Nom du conseil	SFIS No./N° du SIIS	Elementary School/École élémentaire	Secondary School/École secondaire	Location/Lieu
183.	Conseil scolaire de district catholique de l'est Ontarien	4378	Saint-Paul, E. sep.		Township of Alfred And Plantagenet
184.	Conseil scolaire de district catholique de l'est Ontarien	3186	Cure-Labrosse, E		Township of East Hawkesbury
185.	Conseil scolaire de district catholique de l'est Ontarien	6205	St-Albert, E		Municipality of The Nation
186.	Conseil scolaire de district catholique de l'est Ontarien	4009	Saint-Isidore-de-Prescott, E. sep.		Municipality of The Nation
187.	Conseil scolaire de district catholique de l'est Ontarien	6209	Du Rosaire, E		City of Clarence-Rockland
188.	Conseil scolaire de district catholique de l'est Ontarien	6204	St-Gregoire, E		Township of Champlain
189.	Conseil scolaire de district catholique de l'est Ontarien	4131	Saint-Joseph, E. sep.		Township of Alfred And Plantagenet
190.	Conseil scolaire de district catholique des Aurores boréales	4099	Saint-Joseph, E		Municipality of Greenstone
191.	Conseil scolaire de district catholique des Aurores boréales	3476	Notre-Dame-de-Fatima		Municipality of Greenstone
192.	Conseil scolaire de district catholique des Aurores boréales	3758	Val des Bois		Town of Marathon
193.	Conseil scolaire de district catholique des Aurores boréales	9951	Notre Dame des Écoles		Municipality of Greenstone
194.	Conseil scolaire de district catholique des Aurores boréales	4199	Franco-Terrace, E		Township of Terrace Bay
195.	Conseil scolaire de district catholique du Centre-Est de l'Ontario	3244	Saint-Laurent, Ecole		City of Ottawa
196.	Conseil scolaire de district catholique du Centre-Est de l'Ontario	6193		Beatrice-Desloges, E.s.c.	City of Ottawa
197.	Conseil scolaire de district catholique du Centre-Est de l'Ontario	3491	Sainte-Therese-d'Avila, Ecole		City of Ottawa
198.	Conseil scolaire de district catholique du Centre-Est de l'Ontario	3411	Sainte-Marguerite-Bourgeoys, Ecole		Village of Merrickville-Wolford
199.	Conseil scolaire de district catholique du Centre-Est de l'Ontario	10063	Pavillon Béatrice-Desloges		City of Ottawa
200.	Conseil scolaire de district catholique du Centre-Est de l'Ontario	10144	Ecole élémentaire de la Découverte		City of Ottawa
201.	Conseil scolaire de district catholique du Centre-Est de l'Ontario	3164	Saint-Guillaume, Ecole		City of Ottawa
202.	Conseil scolaire de district catholique du Nouvel-Ontario	2857	Sainte-Marie, E.sep		City of Greater Sudbury
203.	Conseil scolaire de district catholique du Nouvel-Ontario	3567	Notre-Dame-du-Rosaire, E. sep.		City of Greater Sudbury
204.	Conseil scolaire de district catholique du Nouvel-Ontario	6011	Saint-Joseph, E. sep.		Blind River
205.	Conseil scolaire de district catholique du Nouvel-Ontario	7613	Sacre-Coeur, Ecole		Township of Chapleau
206.	Conseil scolaire de district catholique du Nouvel-Ontario	9754		E.s. Trillium	Township of Chapleau
207.	Conseil scolaire de district catholique du Nouvel-Ontario	2836		Champlain, E.s.c.	City of Greater Sudbury

Item/ Point	Column/Colonne 1	Column/Colonne 2	Column/Colonne 3	Column/Colonne 4	Column/Colonne 5
	Name of Board/Nom du conseil	SFIS No./N° du SIIS	Elementary School/École élémentaire	Secondary School/École secondaire	Location/Lieu
208.	Conseil scolaire de district catholique du Nouvel-Ontario	3344	Jacques-Cartier, E. sep.		City of Greater Sudbury
209.	Conseil scolaire de district catholique du Nouvel-Ontario	3416	Monseigneur-Cote, E. sep.		City of Greater Sudbury
210.	Conseil scolaire de district catholique du Nouvel-Ontario	4095	Saint-Joseph, E. sep.		City of Greater Sudbury
211.	Conseil scolaire de district catholique du Nouvel-Ontario	3477	Notre-Dame-de-la-Merci, E. sep.		City of Greater Sudbury
212.	Conseil scolaire de district catholique du Nouvel-Ontario	3923	Saint-Etienne, E. sep.		City of Greater Sudbury
213.	Conseil scolaire de district catholique du Nouvel-Ontario	3769	Saint-Antoine, E. sep.		Municipality of French River
214.	Conseil scolaire de district catholique du Nouvel-Ontario	4546	Sainte-Anne, E. sep.		Township of Shedden
215.	Conseil scolaire de district catholique du Nouvel-Ontario	3029	Saint-Charles-Borromee, E. sep.		Municipality of St.-Charles
216.	Conseil scolaire de district catholique du Nouvel-Ontario	3181	Saint-Thomas, E. sep.		Municipality of Markstay-Warren
217.	Conseil scolaire de district catholique du Nouvel-Ontario	7607	Saint-Joseph		Township of Michipicoten
218.	Conseil scolaire de district catholique du Nouvel-Ontario	10637		École secondaire St-Joseph	Township of Michipicoten
219.	Conseil scolaire de district catholique Franco-Nord	9323	St-Thomas d'Aquin, Ecole		Township of East Ferris
220.	Conseil scolaire de district catholique Franco-Nord	3389	Lorrain, E. sep.		Township of Bonfield
221.	Conseil scolaire de district catholique Franco-Nord	3250		F-J-McElligott, E.s.	Mattawa
222.	Conseil scolaire de district catholique Franco-Nord	4544	Sainte-Anne, E. sep.		Mattawa
223.	Conseil scolaire de district catholique Franco-Nord	3160	Christ-Roi, E. sep.		Municipality of West Nipissing
224.	Conseil scolaire de district catholique Franco-Nord	3252		Franco Cite, E.s.	Municipality of West Nipissing
225.	Conseil scolaire de district catholique Franco-Nord	3615	La Resurrection, E. sep.		Municipality of West Nipissing
226.	Conseil scolaire de district catholique Franco-Nord	3628	Echo-Jeunesse, E. sep.		Municipality of West Nipissing
227.	Conseil scolaire de district catholique Franco-Nord	3663	Saint-Joseph, E. sep.		Municipality of West Nipissing
228.	Conseil scolaire de district catholique Franco-Nord	3404	Mariale, E. sep.		Thorne
229.	Conseil scolaire de district catholique Franco-Nord	3403	Ste-Marguerite-d'Youville, E. sep.		Municipality of West Nipissing
230.	Conseil scolaire de district des écoles catholiques du Sud-Ouest	3193	Pavillon des Jeunes		Town of Lakeshore
231.	Conseil scolaire de district des écoles catholiques du Sud-Ouest	4419	Saint-Philippe		Municipality of Chatham-Kent
232.	Conseil scolaire de district des écoles catholiques du Sud-Ouest	9286	Monseigneur Augustin Caron		Town of Lasalle
233.	Conseil scolaire de district des écoles catholiques du Sud-Ouest	4566	Sainte-Ursule, E		Town of Essex
234.	Conseil scolaire de district des écoles catholiques du Sud-Ouest	3216		Secondaire de Pain Court	Municipality of Chatham-Kent

Item/ Point	Column/Colonne 1	Column/Colonne 2	Column/Colonne 3	Column/Colonne 4	Column/Colonne 5
	Name of Board/Nom du conseil	SFIS No./N° du SIIS	Elementary School/École élémentaire	Secondary School/École secondaire	Location/Lieu
235.	Conseil scolaire de district des écoles catholiques du Sud-Ouest	4548	Sainte-Catherine		Municipality of Chatham-Kent
236.	Conseil scolaire de district des écoles catholiques du Sud-Ouest	4561	Saint-Paul		Town of Lakeshore
237.	Conseil scolaire de district des écoles catholiques du Sud-Ouest	9287	Saint-Ambroise		Town of Lakeshore
238.	Conseil scolaire de district des écoles catholiques du Sud-Ouest	3942	Saint-Francis		Municipality of Chatham-Kent
239.	Conseil scolaire de district du Centre Sud-Ouest	8257	Académie la Pinède		Borden
240.	Conseil scolaire de district du Centre Sud-Ouest	9494	La Fontaine		City of Vaughan
241.	Conseil scolaire de district du Centre Sud-Ouest	9721	Saint-Joseph		Town of Penetanguishene
242.	Conseil scolaire de district du Grand Nord de l'Ontario	5830	Franco-Nord, E.p.		City of Greater Sudbury
243.	Conseil scolaire de district du Grand Nord de l'Ontario	9643	E. p. Chelmsford		City of Greater Sudbury
244.	Conseil scolaire de district du Grand Nord de l'Ontario	6342		Chateau Jeunesse, Ecole secondaire	Municipality of Greenstone
245.	Conseil scolaire de district du Grand Nord de l'Ontario	9558	Manitouwadge E.p.		Township of Manitouwadge
246.	Conseil scolaire de district du Grand Nord de l'Ontario	10590		Manitouwadge e.s	Township of Manitouwadge
247.	Conseil scolaire de district du Grand Nord de l'Ontario	9559		E. s. Cite-Superieure	Town of Marathon
248.	Conseil scolaire de district du Grand Nord de l'Ontario	9946	Camille-Perron E.p.		Municipality of Markstay-Warren
249.	Conseil scolaire de district du Grand Nord de l'Ontario	9562		Riviere des Francais Es	Municipality of French River
250.	Conseil scolaire de district du Grand Nord de l'Ontario	10476	Rivière-des-Français É.p.		Municipality of French River
251.	Conseil scolaire de district du Grand Nord de l'Ontario	9644		Carrefour Superior-Nord	Township of Michipicoten
252.	Conseil scolaire de district du Nord-Est de l'Ontario	9564		Cochrane (École publique secondaire)	Town of Cochrane
253.	Conseil scolaire de district du Nord-Est de l'Ontario	9565		L'Alliance (École publique secondaire)	Town of Iroquois Falls
254.	Conseil scolaire de district du Nord-Est de l'Ontario	10080	Étoile du Nord (École élémentaire publique)		Town of Iroquois Falls
255.	Conseil scolaire de district du Nord-Est de l'Ontario	6377	Jeunesse Active (École élémentaire publique)		
256.	Conseil scolaire de district du Nord-Est de l'Ontario	9567		Northern (École publique secondaire)	Municipality of West Nipissing
257.	District School Board of Niagara	1175	Jacob Beam PS		Town of Lincoln
258.	District School Board of Niagara	2101	Senator Gibson PS		Town of Lincoln
259.	District School Board of Niagara	5227		Beamsville DSS	Town of Lincoln
260.	District School Board of Niagara	300	Caistor Central PS		Township of West Lincoln
261.	District School Board of Niagara	318	Campden PS		Town of Lincoln
262.	District School Board of Niagara	540	Crystal Beach PS		Town of Fort Erie

Item/ Point	Column/Colonne 1	Column/Colonne 2	Column/Colonne 3	Column/Colonne 4	Column/Colonne 5
	Name of Board/Nom du conseil	SFIS No./N° du SIIS	Elementary School/École élémentaire	Secondary School/École secondaire	Location/Lieu
263.	District School Board of Niagara	1791	Pelham Centre PS		Town of Pelham
264.	District School Board of Niagara	7	A K Wigg PS		Town of Pelham
265.	District School Board of Niagara	664		E L Crossley SS	Town of Pelham
266.	District School Board of Niagara	837	Glynn A Green PS		Town of Pelham
267.	District School Board of Niagara	5320	E W Farr Memorial PS		Town of Pelham
268.	District School Board of Niagara	1222	Jordan PS		Town of Lincoln
269.	District School Board of Niagara	774	F J Rutland PS		City of Niagara Falls
270.	District School Board of Niagara	489	Colonel John Butler PS		Town of Niagara-On-The-Lake
271.	District School Board of Niagara	1780	Parliament Oak PS		Town of Niagara-On-The-Lake
272.	District School Board of Niagara	5540		Niagara DSS	Town of Niagara-On-The-Lake
273.	District School Board of Niagara	5899	St Davids/Laura Secord PS (Annex-Laura Secord )		
274.	District School Board of Niagara	181	Bertie PS		Town of Fort Erie
275.	District School Board of Niagara	1985	Ridgeway PS		Town of Fort Erie
276.	District School Board of Niagara	5619		Ridgeway-Crystal Beach SS	Town of Fort Erie
277.	District School Board of Niagara	485	College Street PS		Township of West Lincoln
278.	District School Board of Niagara	5666		South Lincoln HS	Township of West Lincoln
279.	District School Board of Niagara	864	Gainsboro Central PS		Township of West Lincoln
280.	District School Board of Niagara	2213	St Davids/Laura Secord PS		Town of Niagara-On-The-Lake
281.	District School Board of Niagara	2235	Stevensville PS		Town of Fort Erie
282.	District School Board of Niagara	2390	Vineland/Maplegrove PS		Town of Lincoln
283.	District School Board of Niagara	5900	Vineland/Maplegrove PS (Annex-Maplegrove)		
284.	District School Board of Niagara	2391	Virgil PS		Town of Niagara-On-The-Lake
285.	District School Board of Niagara	2410	Winger PS		Township of Wainfleet
286.	District School Board of Niagara	2505	William E Brown PS		Township of Wainfleet
287.	District School Board Ontario North East	429	Charlton-Savard PS		Municipality of Charlton And Dack
288.	District School Board Ontario North East	469	Cobalt PS		Town of Cobalt
289.	District School Board Ontario North East	5290		Cochrane HS, E.s.	Town of Cochrane
290.	District School Board Ontario North East	10635	Cochrane Public School		Town of Cochrane
291.	District School Board Ontario North East	1187	Elk Lake PS		Township of James

Item/ Point	Column/Colonne 1	Column/Colonne 2	Column/Colonne 3	Column/Colonne 4	Column/Colonne 5
	Name of Board/Nom du conseil	SFIS No./N° du SIIS	Elementary School/École élémentaire	Secondary School/École secondaire	Location/Lieu
292.	District School Board Ontario North East	745	Englehart PS		Town of Englehart
293.	District School Board Ontario North East	5352		Englehart HS	Town of Englehart
294.	District School Board Ontario North East	999	Haileybury PS		Township of Dymond
295.	District School Board Ontario North East	6312		Timiskaming Dist SS(Hlybury anx)	Township of Dymond
296.	District School Board Ontario North East	7614	Clayton Brown Public School		Town of Hearst
297.	District School Board Ontario North East	7617		Hearst, HS	Town of Hearst
298.	District School Board Ontario North East	309	Iroquois Falls PS		Town of Iroquois Falls
299.	District School Board Ontario North East	5439		Iroquois Falls SS	Town of Iroquois Falls
300.	District School Board Ontario North East	7725	Larder Lake Public School		Township of Larder Lake
301.	District School Board Ontario North East	1485	Joseph H Kennedy PS		Township of Black River-Matheson
302.	District School Board Ontario North East	1620	New Liskeard PS		Township of Dymond
303.	District School Board Ontario North East	5692		Timiskaming Dist.SS	Township of Dymond
304.	District School Board Ontario North East	2496	Frank P Krznic Whitney Public PS		City of Timmins
305.	District School Board Ontario North East	2090	Schumacher PS		City of Timmins
306.	District School Board Ontario North East	7623		Smooth Rock Falls Secondary School	Town of Smooth Rock Falls
307.	District School Board Ontario North East	7624	Smooth Rocks Fall Public School		Town of Smooth Rock Falls
308.	District School Board Ontario North East	180	Bertha Shaw PS		City of Timmins
309.	District School Board Ontario North East	929	Golden Avenue PS		City of Timmins
310.	District School Board Ontario North East	5667		Roland Michener SS	City of Timmins
311.	District School Board Ontario North East	7733	Swastika Public School		Town of Kirkland Lake
312.	District School Board Ontario North East	2288	Temagami PS		Municipality of Temagami
313.	District School Board Ontario North East	1256	Kerns PS		Township of Kerns
314.	Dufferin Peel Catholic District School Board	4357	St Patrick Sep S		City of Brampton
315.	Dufferin Peel Catholic District School Board	4498		St Thomas Aquinas Sep S	City of Brampton
316.	Dufferin Peel Catholic District School Board	3620		Robert F Hall Catholic SS	Town of Caledon
317.	Dufferin Peel Catholic District School Board	3874	St Cornelius S		Town of Caledon
318.	Durham Catholic District School Board	8764	Holy Family C.S.		Township of Brock
319.	Durham Catholic District School Board	9354	St. Leo		Town of Whitby
320.	Durham Catholic District School Board	9353	St. John Bosco		City of Oshawa
321.	Durham District School Board	159	Beaverton PS		Township of Brock
322.	Durham District School Board	397	Thorah Central PS		Township of Brock
323.	Durham District School Board	387	Cartwright Central PS		Township of Scugog

Item/ Point	Column/Colonne 1	Column/Colonne 2	Column/Colonne 3	Column/Colonne 4	Column/Colonne 5
	Name of Board/Nom du conseil	SFIS No./N° du SIIS	Elementary School/École élémentaire	Secondary School/École secondaire	Location/Lieu
324.	Durham District School Board	5262		Cartwright HS	Township of Scugog
325.	Durham District School Board	1513	Meadowcrest PS		Town of Whitby
326.	Durham District School Board	9776	Winchester PS		Town of Whitby
327.	Durham District School Board	5245		Brock HS	Township of Brock
328.	Durham District School Board	1805	Claremont PS		City of Pickering
329.	Durham District School Board	2349	Goodwood PS		Township of Uxbridge
330.	Durham District School Board	1960	Greenbank PS		Township of Scugog
331.	Durham District School Board	2354	Valley View PS		City of Pickering
332.	Durham District School Board	512	Kedron PS		City of Oshawa
333.	Durham District School Board	1959	Prince Albert PS		Township of Scugog
334.	Durham District School Board	2094	Scott Central PS		Township of Uxbridge
335.	Durham District School Board	9400	Epsom PS		Township of Scugog
336.	Durham District School Board	2257	Sunderland PS		Township of Brock
337.	Eastern Ontario Catholic District School Board	3582	St. Finnan's		Township of North Glengarry
338.	Eastern Ontario Catholic District School Board	9677	Holy Name of Mary		Town of Mississippi Mills
339.	Eastern Ontario Catholic District School Board	4270	St. Mary - Chesterville		Township of North Dundas
340.	Eastern Ontario Catholic District School Board	10624		Holy Trinity CHS	Township of South Glengarry
341.	Eastern Ontario Catholic District School Board	3811	St. Bernard		Township of North Stormont
342.	Eastern Ontario Catholic District School Board	3587	Pope John Paul		City of Clarence-Rockland
343.	Eastern Ontario Catholic District School Board	3596		St. Francis Xavier CHS	City of Clarence-Rockland
344.	Eastern Ontario Catholic District School Board	9820	St. Francis Xavier Elementary - Hammond		City of Clarence-Rockland
345.	Eastern Ontario Catholic District School Board	6085	Our Lady of Good Counsel		Township of South Stormont
346.	Eastern Ontario Catholic District School Board	3277	Holy Cross		Municipality of North Grenville
347.	Eastern Ontario Catholic District School Board	9821	St. Michael Elementary		Municipality of North Grenville
348.	Eastern Ontario Catholic District School Board	9822		St. Michael CHS	Municipality of North Grenville
349.	Eastern Ontario Catholic District School Board	3655	Sacred Heart - Lanark		Township of Lanark Highlands
350.	Eastern Ontario Catholic District School Board	3973	St. George		Township of South Stormont
351.	Eastern Ontario Catholic District School Board	4278	St. Mary - St. Cecilia		Township of South Dundas
352.	Eastern Ontario Catholic District School Board	4070		St. John CHS	Town of Perth
353.	Eastern Ontario Catholic District School Board	4138	St. Joseph - Prescott		Separated Town of Prescott
354.	Eastern Ontario Catholic District School Board	4222	St. Mark		Separated Town of Prescott
355.	Eastern Ontario Catholic District School Board	3716	St. Andrew		Township of South Stormont
356.	Eastern Ontario Catholic District School Board	3368	St. Joseph - Toledo		Township of Elizabethtown-Kitley
357.	Eastern Ontario Catholic District School Board	3457	St. Jude		Township of Champlain
358.	Eastern Ontario Catholic District School Board	3912	St. Edward		Village of Westport
359.	Eastern Ontario Catholic District School Board	3127	Iona Academy		Township of South Glengarry

Item/ Point	Column/Colonne 1	Column/Colonne 2	Column/Colonne 3	Column/Colonne 4	Column/Colonne 5
	Name of Board/Nom du conseil	SFIS No./N° du SIIS	Elementary School/École élémentaire	Secondary School/École secondaire	Location/Lieu
360.	English-language Separate District School Board No. 38	3537	Our Lady of Lourdes Sep S		Township of Middlesex Centre
361.	English-language Separate District School Board No. 38	3883	St David Sep S		Municipality of Thames Centre
362.	English-language Separate District School Board No. 38	3846	St Charles Sep S		Municipality of Southwest Middlesex
363.	English-language Separate District School Board No. 38	4342	St Patrick Sep S		Township of Lucan Biddulph
364.	English-language Separate District School Board No. 38	3643	Sacred Heart Sep S		Municipality of North Middlesex
365.	English-language Separate District School Board No. 38	3931	St Francis S		City of Brant County
366.	English-language Separate District School Board No. 38	4113	St Joseph S		Township of Zorra
367.	English-language Separate District School Board No. 38	4235	St Mary's Sep S		Municipality of West Elgin
368.	Grand Erie District School Board	403	Onondaga-Brant PS		City of Brant County
369.	Grand Erie District School Board	5249	Burford Elementary		City of Brant County
370.	Grand Erie District School Board	1705	Oneida Central PS		Corporation of Haldimand County
371.	Grand Erie District School Board	1991	River Heights E S		Corporation of Haldimand County
372.	Grand Erie District School Board	2105	Seneca Unity PS		Corporation of Haldimand County
373.	Grand Erie District School Board	1167	J L Mitchener PS		Corporation of Haldimand County
374.	Grand Erie District School Board	5265		Cayuga SS	Corporation of Haldimand County
375.	Grand Erie District School Board	524	Courtland PS		Corporation of Norfolk County
376.	Grand Erie District School Board	79	Anna Melick Memorial S		Corporation of Haldimand County
377.	Grand Erie District School Board	954	Grandview PS		Corporation of Haldimand County
378.	Grand Erie District School Board	1949	Rainham Central PS		Corporation of Haldimand County
379.	Grand Erie District School Board	923	Glen Morris Central PS		City of Brant County
380.	Grand Erie District School Board	1771	Hagersville Elementary School		Corporation of Haldimand County
381.	Grand Erie District School Board	2413	Walpole North E S		Corporation of Haldimand County
382.	Grand Erie District School Board	5408		Hagersville SS	Corporation of Haldimand County
383.	Grand Erie District School Board	1190	Jarvis PS		Corporation of Haldimand County
384.	Grand Erie District School Board	402	Langton PS		Corporation of Norfolk County
385.	Grand Erie District School Board	1110	Houghton PS		Corporation of Norfolk County
386.	Grand Erie District School Board	5715		Valley Heights SS	Corporation of Norfolk County
387.	Grand Erie District School Board	1587	Mount Pleasant PS		City of Brant County
388.	Grand Erie District School Board	184	Bethel-Oak Hill PS		City of Brant County
389.	Grand Erie District School Board	607	Doverwood PS		Corporation of Norfolk County



Item/ Point	Column/Colonne 1	Column/Colonne 2	Column/Colonne 3	Column/Colonne 4	Column/Colonne 5
	Name of Board/Nom du conseil	SFIS No./N° du SIIS	Elementary School/École élémentaire	Secondary School/École secondaire	Location/Lieu
390.	Grand Erie District School Board	5594		Port Dover Comp S	Corporation of Norfolk County
391.	Grand Erie District School Board	10198	Port Dover Composite Elementary		Corporation of Norfolk County
392.	Grand Erie District School Board	1845	Port Rowan PS		Corporation of Norfolk County
393.	Grand Erie District School Board	2091	Oakland-Scotland PS		City of Brant County
394.	Grand Erie District School Board	2416	Walsh Public School		Corporation of Norfolk County
395.	Grand Erie District School Board	2181	St George-German PS		City of Brant County
396.	Grand Erie District School Board	1650	Teeterville PS		Corporation of Norfolk County
397.	Grand Erie District School Board	1649	Boston PS		Corporation of Norfolk County
398.	Grand Erie District School Board	2178	Bloomsburg PS		Corporation of Norfolk County
399.	Grand Erie District School Board	2326	Townsend Central PS		Corporation of Norfolk County
400.	Grand Erie District School Board	2340	W. F. Hewitt PS		Corporation of Norfolk County
401.	Grand Erie District School Board	5730		Waterford DHS	Corporation of Norfolk County
402.	Grand Erie District School Board	9873	A.B. Massecar		Corporation of Norfolk County
403.	Grand Erie District School Board	2535	Windham Central PS		Corporation of Norfolk County
404.	Grand Erie District School Board	2102	Seneca Central PS		Corporation of Haldimand County
405.	Greater Essex County District School Board	77	Anderdon Central Public School		Town of Amherstburg
406.	Greater Essex County District School Board	1430	Malden Central Public School		Town of Amherstburg
407.	Greater Essex County District School Board	7805		Western Secondary School	Town of Amherstburg
408.	Greater Essex County District School Board	166	Belle River Public School		Town of Lakeshore
409.	Greater Essex County District School Board	7798		Belle River District High School	Town of Lakeshore
410.	Greater Essex County District School Board	7773	Centennial Central Public School		Town of Lakeshore
411.	Greater Essex County District School Board	368	Gosfield North Central Public School		Town of Kingsville
412.	Greater Essex County District School Board	1743	Puce Public School		Town of Lakeshore
413.	Greater Essex County District School Board	366	Colchester North Public School		Town of Essex
414.	Greater Essex County District School Board	2259	Sun Parlor Jr Public School		Town of Essex
415.	Greater Essex County District School Board	1026	Harrow Senior Public School		Town of Essex
416.	Greater Essex County District School Board	5413		Harrow District High School	Town of Essex
417.	Greater Essex County District School Board	7780	Harrow Junior Public School		Town of Essex
418.	Greater Essex County District School Board	1858	Prince Andrew Public School		Town of Lasalle
419.	Greater Essex County District School Board	7804		Sandwich Secondary School	Town of Lasalle

Item/ Point	Column/Colonne 1	Column/Colonne 2	Column/Colonne 3	Column/Colonne 4	Column/Colonne 5
	Name of Board/Nom du conseil	SFIS No./N° du SIIS	Elementary School/École élémentaire	Secondary School/École secondaire	Location/Lieu
420.	Greater Essex County District School Board	1574	Mount Carmel-Blytheswood Public School		Municipality of Leamington
421.	Greater Essex County District School Board	375	Maidstone Central Public School		Town of Lakeshore
422.	Greater Essex County District School Board	1790	Pelee Island Public School		Township of Pelee
423.	Greater Essex County District School Board	7794	Ruthven Public School		Town of Kingsville
424.	Greater Essex County District School Board	1534	East Mersea Public School		Municipality of Leamington
425.	Halton Catholic District School Board	8135		Bishop P.F. Reding Secondary	Town of Milton
426.	Halton District School Board	267	Brookville PS		Town of Milton
427.	Halton District School Board	1817	Pineview PS		Town of Halton Hills
428.	Halton District School Board	2238	Stewarttown Md S		Town of Halton Hills
429.	Halton District School Board	1261	Kilbride PS		City of Burlington
430.	Halton District School Board	1358	Limehouse PS		Town of Halton Hills
431.	Halton District School Board	10469	Chris Hadfield Public School		Town of Milton
432.	Hamilton-Wentworth Catholic District School Board	9410	Holy Name of Mary CES		City of Hamilton
433.	Hamilton-Wentworth Catholic District School Board	3511	Our Lady of Mount Carmel		City of Hamilton
434.	Hamilton-Wentworth Catholic District School Board	4496	St Thomas		City of Hamilton
435.	Hamilton-Wentworth Catholic District School Board	10115	Guardian Angels Catholic Elementary School		City of Hamilton
436.	Hamilton-Wentworth District School Board	10614	Canterbury Hills		City of Hamilton
437.	Hamilton-Wentworth District School Board	168	Bellmoore PS		City of Hamilton
438.	Hamilton-Wentworth District School Board	202	Balaclava PS		City of Hamilton
439.	Hamilton-Wentworth District School Board	6343	Queens Rangers PS		City of Hamilton
440.	Hamilton-Wentworth District School Board	821	Flamborough Centre Senior PS		City of Hamilton
441.	Hamilton-Wentworth District School Board	1543	Millgrove PS		City of Hamilton
442.	Hamilton-Wentworth District School Board	1579	Mount Hope PS		City of Hamilton
443.	Hamilton-Wentworth District School Board	6175	Bell-Stone PS		City of Hamilton
444.	Hamilton-Wentworth District School Board	616	Dr John Seaton PS		City of Hamilton
445.	Hamilton-Wentworth District School Board	186	Beverly Central PS		City of Hamilton
446.	Hamilton-Wentworth District School Board	980	Guy B Brown PS		City of Hamilton
447.	Hamilton-Wentworth District School Board	1477	Mary Hopkins PS		City of Hamilton
448.	Hamilton-Wentworth District School Board	5729		Waterdown DHS	City of Hamilton
449.	Hamilton-Wentworth District School Board	10012	Allan A. Greenleaf School		City of Hamilton
450.	Hamilton-Wentworth District School Board	2539	Winona PS		City of Hamilton
451.	Hastings and Prince Edward District School Board	1254	Kente PS		City of Prince Edward County

Item/ Point	Column/Colonne 1	Column/Colonne 2	Column/Colonne 3	Column/Colonne 4	Column/Colonne 5
	Name of Board/Nom du conseil	SFIS No./N° du SIIS	Elementary School/École élémentaire	Secondary School/École secondaire	Location/Lieu
452.	Hastings and Prince Edward District School Board	124	Bancroft PS		Town of Bancroft
453.	Hastings and Prince Edward District School Board	196	Birds Creek PS		Municipality of Hastings Highlands
454.	Hastings and Prince Edward District School Board	1494	Hermon PS		Township of Carlow/Mayo
455.	Hastings and Prince Edward District School Board	1654	North Hastings Sr E S		Town of Bancroft
456.	Hastings and Prince Edward District School Board	5547		North Hastings HS	Town of Bancroft
457.	Hastings and Prince Edward District School Board	72	Massassaga-Rednersville PS		City of Prince Edward County
458.	Hastings and Prince Edward District School Board	1002	Pinecrest Memorial E S		City of Prince Edward County
459.	Hastings and Prince Edward District School Board	108	Athol Central PS		City of Prince Edward County
460.	Hastings and Prince Edward District School Board	472	Coe Hill PS		Township of Wollaston
461.	Hastings and Prince Edward District School Board	1015	Harmony PS		City of Belleville
462.	Hastings and Prince Edward District School Board	580	Deseronto PS		Deseronto
463.	Hastings and Prince Edward District School Board	847	Foxboro PS		City of Belleville
464.	Hastings and Prince Edward District School Board	850	Frankford PS		City of Quinte West
465.	Hastings and Prince Edward District School Board	374	Madoc Township PS		Township of Madoc
466.	Hastings and Prince Edward District School Board	1419	Madoc PS		Municipality of Centre Hastings
467.	Hastings and Prince Edward District School Board	5276		Centre Hastings SS	Municipality of Centre Hastings
468.	Hastings and Prince Edward District School Board	671	Earl Prentice PS		Municipality of Marmora And Lake
469.	Hastings and Prince Edward District School Board	1471	Marmora Sr PS		Municipality of Marmora And Lake
470.	Hastings and Prince Edward District School Board	1493	Maynooth PS		Municipality of Hastings Highlands
471.	Hastings and Prince Edward District School Board	392	South Marysburgh Central PS		City of Prince Edward County
472.	Hastings and Prince Edward District School Board	395	Sophiasburgh Central PS		City of Prince Edward County
473.	Hastings and Prince Edward District School Board	1907	Queen Elizabeth PS (P)		City of Prince Edward County
474.	Hastings and Prince Edward District School Board	5599		Prince Edward CI	City of Prince Edward County
475.	Hastings and Prince Edward District School Board	2341	Tyendinaga PS		Township of Tyendinaga
476.	Hastings and Prince Edward District School Board	2241	Stirling Prmy PS		Township of Stirling-Rawdon
477.	Hastings and Prince Edward District School Board	2242	Stirling Jr PS		Township of Stirling-Rawdon
478.	Hastings and Prince Edward District School Board	2243	Stirling Sr PS		Township of Stirling-Rawdon
479.	Hastings and Prince Edward District School Board	2076	S H Connor PS		Municipality of Tweed
480.	Hastings and Prince Edward District School Board	2335	Tweed-Hungerford Sr PS		Municipality of Tweed
481.	Hastings and Prince Edward District School Board	502	C M L Snider E S		City of Prince Edward County

Item/ Point	Column/Colonne 1	Column/Colonne 2	Column/Colonne 3	Column/Colonne 4	Column/Colonne 5
	Name of Board/Nom du conseil	SFIS No./N° du SIIS	Elementary School/École élémentaire	Secondary School/École secondaire	Location/Lieu
482.	Huron-Perth Catholic District School Board	3737		St Anne's Catholic S	Municipality of Central Huron
483.	Huron-Perth Catholic District School Board	3553	Our Lady of Mt Carmel Sep S		Municipality of South Huron
484.	Huron-Perth Catholic District School Board	3265	St Patricks Sep S		Municipality of West Perth
485.	Huron-Perth Catholic District School Board	3412	St Columban Sep S		Municipality of Huron East
486.	Huron-Perth Catholic District School Board	3207	Precious Blood Sep S		Municipality of South Huron
487.	Huron-Perth Catholic District School Board	3035	St Joseph Sep S		Township of Ashfield-Colborne-Wawanosh
488.	Huron-Perth Catholic District School Board	3675	St James Sep S		Municipality of Huron East
489.	Huron-Perth Catholic District School Board	3202	St Patricks Sep S		Township of Perth East
490.	Huron-Perth Catholic District School Board	4598	Sacred Heart Sep S		Township of North Huron
491.	Huron-Perth Catholic District School Board	4600	St Boniface Sep S		Municipality of Bluewater
492.	Huron-Superior Catholic District School Board	4264	St Marys Sep S		Blind River
493.	Huron-Superior Catholic District School Board	7612	Our Lady of Fatima		Township of Chapleau
494.	Huron-Superior Catholic District School Board	4246	St Mary Sep S		Township of Sables-Spanish Rivers
495.	Huron-Superior Catholic District School Board	7606	St Joseph Sep.		Township of Michipicoten
496.	Huron-Superior Catholic District School Board	7604	St Basil Separate School		Township of White River
497.	Kawartha Pine Ridge District School Board	86	Apsley PS		Township of North Kawartha
498.	Kawartha Pine Ridge District School Board	501	South Monaghan PS		Township of Otonabee-South Monaghan
499.	Kawartha Pine Ridge District School Board	1005	Baltimore PS		Township of Hamilton
500.	Kawartha Pine Ridge District School Board	5909		Cntr fr Individ'l Stdies (Bwmnville)	Municipality of Clarington
501.	Kawartha Pine Ridge District School Board	10387	Harold Longworth Public School		Municipality of Clarington
502.	Kawartha Pine Ridge District School Board	434	Chemong Sr.		Township of Smith-Ennismore-Lakefield
503.	Kawartha Pine Ridge District School Board	247	Smithfield PS		Municipality of Brighton
504.	Kawartha Pine Ridge District School Board	248	Brighton PS		Municipality of Brighton
505.	Kawartha Pine Ridge District School Board	2200	Spring Valley PS		Municipality of Brighton
506.	Kawartha Pine Ridge District School Board	5326		East Northumberland SS	Municipality of Brighton
507.	Kawartha Pine Ridge District School Board	1029	Buckhorn PS		Township of Galway-Cavendish And Harvey
508.	Kawartha Pine Ridge District School Board	372	North Hope Central PS		Town of Port Hope And Hope
509.	Kawartha Pine Ridge District School Board	1079	Hillcrest PS		Municipality of Trent Hills
510.	Kawartha Pine Ridge District School Board	5258		Campbellford DHS	Municipality of Trent Hills
511.	Kawartha Pine Ridge District School Board	5806	Kent		Municipality of Trent Hills

Item/ Point	Column/Colonne 1	Column/Colonne 2	Column/Colonne 3	Column/Colonne 4	Column/Colonne 5
	Name of Board/Nom du conseil	SFIS No./N° du SIIS	Elementary School/École élémentaire	Secondary School/École secondaire	Location/Lieu
512.	Kawartha Pine Ridge District School Board	5911		Cntr fr Individ'l Stdies (Cmpblld)	Municipality of Trent Hills
513.	Kawartha Pine Ridge District School Board	525	Castleton PS		Township of Cramahe
514.	Kawartha Pine Ridge District School Board	1647	North Cavan PS		Township of Cavan-Millbrook-North Monaghan
515.	Kawartha Pine Ridge District School Board	371	Camborne PS		Township of Hamilton
516.	Kawartha Pine Ridge District School Board	552	Dale Road Sr S		Township of Hamilton
517.	Kawartha Pine Ridge District School Board	474	Colborne P S		Township of Cramahe
518.	Kawartha Pine Ridge District School Board	526	South Cramahe PS		Township of Cramahe
519.	Kawartha Pine Ridge District School Board	747	Enniskillen PS		Municipality of Clarington
520.	Kawartha Pine Ridge District School Board	1594	Stockdale PS		City of Quinte West
521.	Kawartha Pine Ridge District School Board	1004	Plainville PS		Township of Hamilton
522.	Kawartha Pine Ridge District School Board	1000	Grafton PS		Township of Alnwick-Haldimand
523.	Kawartha Pine Ridge District School Board	1008	Hampton Jr PS		Municipality of Clarington
524.	Kawartha Pine Ridge District School Board	2297	M J Hobbs Sr PS		Municipality of Clarington
525.	Kawartha Pine Ridge District School Board	1032	Hastings PS		Municipality of Trent Hills
526.	Kawartha Pine Ridge District School Board	1033	Havelock PS		Township of Havelock-Belmont-Methuen
527.	Kawartha Pine Ridge District School Board	1648	North Shore PS		Township of Otonabee-South Monaghan
528.	Kawartha Pine Ridge District School Board	1311	Lakefield Intermed S		Township of Smith-Ennismore-Lakefield
529.	Kawartha Pine Ridge District School Board	1312	Ridpath PS		Township of Smith-Ennismore-Lakefield
530.	Kawartha Pine Ridge District School Board	5468		Lakefield DSS	Township of Smith-Ennismore-Lakefield
531.	Kawartha Pine Ridge District School Board	1538	Millbrook/South Cavan PS		Township of Cavan-Millbrook-North Monaghan
532.	Kawartha Pine Ridge District School Board	5931	Millbrook/South Cavan Annex		Township of Cavan-Millbrook-North Monaghan
533.	Kawartha Pine Ridge District School Board	458	Newtonville PS		Municipality of Clarington
534.	Kawartha Pine Ridge District School Board	1678	Norwood District PS		Township of Asphodel-Norwood
535.	Kawartha Pine Ridge District School Board	1679	Norwood District Int.		Township of Asphodel-Norwood
536.	Kawartha Pine Ridge District School Board	5558		Norwood District HS	Township of Asphodel-Norwood
537.	Kawartha Pine Ridge District School Board	457	Orono PS		Municipality of Clarington
538.	Kawartha Pine Ridge District School Board	1297	Kirby Centennial Public School PS		Municipality of Clarington
539.	Kawartha Pine Ridge District School Board	1186	James Strath PS		Township of Cavan-Millbrook-North Monaghan

Item/ Point	Column/Colonne 1	Column/Colonne 2	Column/Colonne 3	Column/Colonne 4	Column/Colonne 5
	Name of Board/Nom du conseil	SFIS No./N° du SIIS	Elementary School/École élémentaire	Secondary School/École secondaire	Location/Lieu
540.	Kawartha Pine Ridge District School Board	5301		Crestwood SS	Township of Cavan-Millbrook-North Monaghan
541.	Kawartha Pine Ridge District School Board	882	George Hamilton PS		Town of Port Hope And Hope
542.	Kawartha Pine Ridge District School Board	2042	Roseneath Centennial PS		Township of Alnwick-Haldimand
543.	Kawartha Pine Ridge District School Board	1794	Percy Centennial PS		Municipality of Trent Hills
544.	Kawartha Pine Ridge District School Board	2424	Warsaw PS		Township of Douro-Dummer
545.	Kawartha Pine Ridge District School Board	2584	Youngs Point		Township of Smith-Ennismore-Lakefield
546.	Keewatin-Patricia District School Board	120	Golden Learning Centre		Municipality of Red Lake
547.	Keewatin-Patricia District School Board	669	Ear Falls PS		Township of Ear Falls
548.	Keewatin-Patricia District School Board	1116	Hudson PS		Municipality of Sioux Lookout
549.	Keewatin-Patricia District School Board	5942		Ignace School (Sec)	Township of Ignace
550.	Keewatin-Patricia District School Board	9475	Ignace School (Elem)		Township of Ignace
551.	Keewatin-Patricia District School Board	7538	Keewatin P.S.		City of Kenora
552.	Keewatin-Patricia District School Board	7532	Valleyview P.S.		City of Kenora
553.	Keewatin-Patricia District School Board	1740	Oxdrift PS		Oxdrift
554.	Keewatin-Patricia District School Board	1962	Red Lake-Madsen PS		Municipality of Red Lake
555.	Keewatin-Patricia District School Board	5610		Red Lake DHS	Municipality of Red Lake
556.	Keewatin-Patricia District School Board	7531	Sioux Narrows P.S.		Township of Sioux Narrows-Nestor Falls
557.	Keewatin-Patricia District School Board	2364	Lillian Berg PS		Township of Machin
558.	Keewatin-Patricia District School Board	2409	Wabigoon PS		Wabigoon
559.	Kenora Catholic District School Board	4171	St Louis Sep S		City of Kenora
560.	Lakehead District School Board	7562	Kakabeka Falls		Municipality of Oliver Paipoonge
561.	Lakehead District School Board	7574	Whitefish Valley		Township of Gillies
562.	Lakehead District School Board	7550	Crestview		Municipality of Oliver Paipoonge
563.	Lakehead District School Board	7553	Five Mile		City of Thunder Bay
564.	Lakehead District School Board	7556	Gorham & Ware		Thunder Bay
565.	Lakehead District School Board	7570	Valley Central PS		Municipality of Oliver Paipoonge
566.	Lakehead District School Board	7590	McKenzie		Township of Shuniah
567.	Lakehead District School Board	7591	Nor'wester View		City of Thunder Bay
568.	Lakehead District School Board	9974	Valley Central/Rosslyn Village annex		Municipality of Oliver Paipoonge

Item/ Point	Column/Colonne 1	Column/Colonne 2	Column/Colonne 3	Column/Colonne 4	Column/Colonne 5
	Name of Board/Nom du conseil	SFIS No./N° du SIIS	Elementary School/École élémentaire	Secondary School/École secondaire	Location/Lieu
569.	Lambton Kent District School Board	261	Brooke Central PS		Municipality of Brooke-Alvinston
570.	Lambton Kent District School Board	1030	Harwich-Raleigh PS		Municipality of Chatham-Kent
571.	Lambton Kent District School Board	2406	W J Baird PS		Municipality of Chatham-Kent
572.	Lambton Kent District School Board	5233		Blenheim DHS	Municipality of Chatham-Kent
573.	Lambton Kent District School Board	2588	Zone Township Central PS		Municipality of Chatham-Kent
574.	Lambton Kent District School Board	246	Brigden S		Township of St. Clair
575.	Lambton Kent District School Board	251	Bright's Grove PS		City of Sarnia
576.	Lambton Kent District School Board	14	Aberarder Central S		Town of Plympton-Wyoming
577.	Lambton Kent District School Board	756	Errol Village PS		Town of Plympton-Wyoming
578.	Lambton Kent District School Board	10495	Colonel Cameron Public School		Township of St. Clair
579.	Lambton Kent District School Board	564	Dawn Township Central S		Township of Dawn-Euphemia
580.	Lambton Kent District School Board	628	Dresden Area Central S		Municipality of Chatham-Kent
581.	Lambton Kent District School Board	5473		Lambton Kent Comp S	Municipality of Chatham-Kent
582.	Lambton Kent District School Board	2567	Kinnwood Central Public School		Municipality of Lambton Shores
583.	Lambton Kent District School Board	5364		North Lambton SS	Municipality of Lambton Shores
584.	Lambton Kent District School Board	948	Grand Bend PS		Municipality of Lambton Shores
585.	Lambton Kent District School Board	1532	Merlin Area PS		Municipality of Chatham-Kent
586.	Lambton Kent District School Board	1562	Mooretown-Courtright S		Township of St. Clair
587.	Lambton Kent District School Board	1087	Hillcrest PS		Town of Petrolia
588.	Lambton Kent District School Board	1321	Lambton Central Centennial S		Township of Enniskillen
589.	Lambton Kent District School Board	1911	Queen Elizabeth II PS		Town of Petrolia
590.	Lambton Kent District School Board	5472		Lambton Central Collegiate V.I.	Town of Petrolia
591.	Lambton Kent District School Board	2001	Riverview Central S		Township of St. Clair
592.	Lambton Kent District School Board	1111	Howard-Harwich-Moravian PS		Municipality of Chatham-Kent
593.	Lambton Kent District School Board	1983	Ridgetown PS		Municipality of Chatham-Kent
594.	Lambton Kent District School Board	5618		Ridgetown DHS	Municipality of Chatham-Kent
595.	Lambton Kent District School Board	493	Confederation Central S		City of Sarnia
596.	Lambton Kent District School Board	2293	Thamesville Area Central PS		Municipality of Chatham-Kent
597.	Lambton Kent District School Board	219	Bosanquet Central PS		Municipality of Lambton Shores
598.	Lambton Kent District School Board	2311	Tilbury Area PS		Municipality of Chatham-Kent

Item/ Point	Column/Colonne 1	Column/Colonne 2	Column/Colonne 3	Column/Colonne 4	Column/Colonne 5
	Name of Board/Nom du conseil	SFIS No./N° du SIIS	Elementary School/École élémentaire	Secondary School/École secondaire	Location/Lieu
599.	Lambton Kent District School Board	5708		Tilbury DHS	Municipality of Chatham-Kent
600.	Lambton Kent District School Board	5733	East Lambton ES		Township of Warwick
601.	Lambton Kent District School Board	2489	Wheatley Area PS		Municipality of Leamington
602.	Lambton Kent District School Board	2185	South Plympton Central S		Town of Plympton-Wyoming
603.	Lambton Kent District School Board	2576	Wyoming PS		Town of Plympton-Wyoming
604.	Limestone District School Board	132	Bath PS		Township of Loyalist
605.	Limestone District School Board	9674	Sandhurst PS		Town of Greater Napanee
606.	Limestone District School Board	2247	Storrington PS		Township of South Frontenac
607.	Limestone District School Board	9707	Centreville PS		Township of Stone Mills
608.	Limestone District School Board	1642	North Addington Education Centre (Elem)		Township of Addington Highlands
609.	Limestone District School Board	5195		North Addington Education Centre (Sec)	Township of Addington Highlands
610.	Limestone District School Board	9673	Denbigh PS		Township of Addington Highlands
611.	Limestone District School Board	720	Elginburg & District PS		City of Kingston
612.	Limestone District School Board	9675	Enterprise PS		Township of Stone Mills
613.	Limestone District School Board	918	Glenburnie PS		City of Kingston
614.	Limestone District School Board	1027	Harrowsmith PS		Township of South Frontenac
615.	Limestone District School Board	1823	Joyceville PS		City of Kingston
616.	Limestone District School Board	1329	Land O Lakes PS		Township of Central Frontenac
617.	Limestone District School Board	992	H H Langford		Town of Greater Napanee
618.	Limestone District School Board	1624	Newburgh PS		Township of Stone Mills
619.	Limestone District School Board	1698	Odessa PS		Township of Loyalist
620.	Limestone District School Board	5355		Ernestown SS	Township of Loyalist
621.	Limestone District School Board	1096	Hinchinbrooke PS		Township of Central Frontenac
622.	Limestone District School Board	1799	Perth Road PS		Township of South Frontenac
623.	Limestone District School Board	454	Clarendon Central PS		Township of North Frontenac
624.	Limestone District School Board	2099	Selby PS		Town of Greater Napanee
625.	Limestone District School Board	2115	Sharbot Lake PS		Township of Central Frontenac
626.	Limestone District School Board	2116	Sharbot Lake HS (Elem)		Township of Central Frontenac
627.	Limestone District School Board	5636		Sharbot Lake HS (Sec)	Township of Central Frontenac



Item/ Point	Column/Colonne 1	Column/Colonne 2	Column/Colonne 3	Column/Colonne 4	Column/Colonne 5
	Name of Board/Nom du conseil	SFIS No./N° du SIIS	Elementary School/École élémentaire	Secondary School/École secondaire	Location/Lieu
628.	Limestone District School Board	9648	Amherst Island PS		Township of Loyalist
629.	Limestone District School Board	1396	Loughborough PS		Township of South Frontenac
630.	Limestone District School Board	5690		Sydenham HS	Township of South Frontenac
631.	Limestone District School Board	2277	Tamworth PS		Township of Stone Mills
632.	Limestone District School Board	1860	Prince Charles PS		Township of South Frontenac
633.	Limestone District School Board	2548	Marysville PS		Township of Frontenac Islands
634.	Limestone District School Board	9522	Yarker Family School		Township of Stone Mills
635.	Near North District School Board	253	Britt PS		Britt
636.	Near North District School Board	279	Land of Lakes Sr PS		Village of Burk's Falls
637.	Near North District School Board	281	M A Wittick Jr PS		Village of Burk's Falls
638.	Near North District School Board	308	M T Davidson S		Municipality of Callander
639.	Near North District School Board	806	Ferris Glen PS		Township of East Ferris
640.	Near North District School Board	2495	Whitestone Lake Central S		Municipality of Whitestone
641.	Near North District School Board	770	Evergreen Heights Education Centre		Township of Perry
642.	Near North District School Board	1416	Mactier PS		Township of Georgian Bay
643.	Near North District School Board	1420	Magnetawan Central PS		Municipality of Magnetawan
644.	Near North District School Board	1489	Mattawa District PS		Mattawa
645.	Near North District School Board	5511		F J McElligott SS	Mattawa
646.	Near North District School Board	1633	South Shore Education Centre		Township of Nipissing
647.	Near North District School Board	1635	Nobel PS		Municipality of Mcdougall
648.	Near North District School Board	1499	McDougall PS		Municipality of Mcdougall
649.	Near North District School Board	9556	Humphrey Central PS		Township of Seguin
650.	Near North District School Board	91	Argyle PS		Port Loring
651.	Near North District School Board	2108	Mapleridge Sr PS		Municipality of Powassan
652.	Near North District School Board	6379	Phelps Central School		Redbridge
653.	Near North District School Board	2187	South River PS		Village of South River
654.	Near North District School Board	5668		Almaguin Highlands SS	Township of Strong
655.	Near North District School Board	5686		Northern SS	Municipality of West Nipissing
656.	Near North District School Board	2258	Sundridge Centennial PS		Village of Sundridge
657.	Niagara Catholic District School Board	7972	St John		Town of Lincoln

Item/ Point	Column/Colonne 1	Column/Colonne 2	Column/Colonne 3	Column/Colonne 4	Column/Colonne 5
	Name of Board/Nom du conseil	SFIS No./N° du SIIS	Elementary School/École élémentaire	Secondary School/École secondaire	Location/Lieu
658.	Niagara Catholic District School Board	10019	St. Mark Catholic Elementary		Town of Lincoln
659.	Niagara Catholic District School Board	3724	St Ann Sep S		Town of Pelham
660.	Niagara Catholic District School Board	3696	St Alexander Sep S		Town of Pelham
661.	Niagara Catholic District School Board	10078	St. George Catholic Elementary		Town of Fort Erie
662.	Niagara Catholic District School Board	7967	St Edward		Town of Lincoln
663.	Niagara Catholic District School Board	7977	St Michael		Town of Niagara-On-The-Lake
664.	Niagara Catholic District School Board	7976	St Martin		Township of West Lincoln
665.	Niagara Catholic District School Board	4104	St Joseph Sep S		Town of Fort Erie
666.	Niagara Catholic District School Board	3922	St Elizabeth Sep S		Township of Wainfleet
667.	Nipissing-Parry Sound Catholic District School Board	5985	St. Theresa Catholic School		Township of East Ferris
668.	Nipissing-Parry Sound Catholic District School Board	4523	St Victor Sep S		Mattawa
669.	Nipissing-Parry Sound Catholic District School Board	3983	St Gregory Sep S		Municipality of Powassan
670.	Nipissing-Parry Sound Catholic District School Board	3560	Our Lady of Sorrows Sep S		Municipality of West Nipissing
671.	Northeastern Catholic District School Board	7748	St Patrick School		Town of Cobalt
672.	Northeastern Catholic District School Board	4145	Aileen-Wright English Catholic S		Town of Cochrane
673.	Northeastern Catholic District School Board	7745	Holy Family School		Town of Englehart
674.	Northeastern Catholic District School Board	4556	St Anne Sep S		Town of Iroquois Falls
675.	Northeastern Catholic District School Board	10383	St Anne JK-SK		Town of Iroquois Falls
676.	Northeastern Catholic District School Board	7744	English Catholic Central School		Township of Dymond
677.	Northeastern Catholic District School Board	7713	St Joseph School		City of Timmins
678.	Northwest Catholic District School Board	3509	Our Lady Of The Way		Township of Morley
679.	Ottawa-Carleton Catholic District School Board	3324	St Michaels Sep S - Carp		City of Ottawa
680.	Ottawa-Carleton Catholic District School Board	3223	St Michaels Sep S - Fitzroy		City of Ottawa
681.	Ottawa-Carleton Catholic District School Board	3241	St Mary Sep S - Gloucester		City of Ottawa
682.	Ottawa-Carleton Catholic District School Board	3399	St Isidore Sep S		City of Ottawa
683.	Ottawa-Carleton Catholic District School Board	3489	St Catherines Sep S		City of Ottawa
684.	Ottawa-Carleton Catholic District School Board	10125	St. Theresa Catholic Elementary School		City of Ottawa
685.	Ottawa-Carleton Catholic District School Board	4418	St Philip Sep S		City of Ottawa
686.	Ottawa-Carleton District School Board	1132	Huntley Centennial PS		City of Ottawa
687.	Ottawa-Carleton District School Board	5734		West Carleton SS	City of Ottawa

Item/ Point	Column/Colonne 1	Column/Colonne 2	Column/Colonne 3	Column/Colonne 4	Column/Colonne 5
	Name of Board/Nom du conseil	SFIS No./N° du SIIS	Elementary School/École élémentaire	Secondary School/École secondaire	Location/Lieu
688.	Ottawa-Carleton District School Board	10140	Fitzroy Harbour PS		City of Ottawa
689.	Ottawa-Carleton District School Board	334	Castor Valley ES		City of Ottawa
690.	Ottawa-Carleton District School Board	1727	Greely PS		City of Ottawa
691.	Ottawa-Carleton District School Board	1239	Rideau Valley Middle S		City of Ottawa
692.	Ottawa-Carleton District School Board	1655	Kars PS		City of Ottawa
693.	Ottawa-Carleton District School Board	819	Fitzroy Centennial/Harbour PS		City of Ottawa
694.	Ottawa-Carleton District School Board	1725	Metcalfe PS		City of Ottawa
695.	Ottawa-Carleton District School Board	5570		Osgoode Township HS	City of Ottawa
696.	Ottawa-Carleton District School Board	1593	Munster ES		City of Ottawa
697.	Ottawa-Carleton District School Board	1519	Meadowview PS		City of Ottawa
698.	Ottawa-Carleton District School Board	548	D. Aubrey Moodie Intermediate S		City of Ottawa
699.	Ottawa-Carleton District School Board	1607	Cedarview Middle S		City of Ottawa
700.	Ottawa-Carleton District School Board	1653	North Gower - Marlborough PS		City of Ottawa
701.	Ottawa-Carleton District School Board	1726	Osgoode PS		City of Ottawa
702.	Ottawa-Carleton District School Board	1977	Richmond PS		City of Ottawa
703.	Ottawa-Carleton District School Board	5662		South Carleton HS	City of Ottawa
704.	Ottawa-Carleton District School Board	940	Goulbourn Middle S		City of Ottawa
705.	Ottawa-Carleton District School Board	2320	Torbolton S		City of Ottawa
706.	Ottawa-Carleton District School Board	9537	Stonecrest ES		City of Ottawa
707.	Peel District School Board	64	Alloa PS		Town of Caledon
708.	Peel District School Board	338	Castlemore (Treeline Gore Campus)		City of Brampton
709.	Peel District School Board	1141	Huttonville PS		City of Brampton
710.	Peel District School Board	10402	Edenbrook Hill Public School		City of Brampton
711.	Peel District School Board	10490	Claireville P.S.		City of Brampton
712.	Peel District School Board	10597	Brisdale P.S.		City of Brampton
713.	Peel District School Board	164	Belfountain PS		Town of Caledon
714.	Peel District School Board	302	Caledon Central PS		Town of Caledon
715.	Peel District School Board	303	Caledon East PS		Town of Caledon
716.	Peel District School Board	304	Alton PS		Town of Caledon
717.	Peel District School Board	527	Credit View PS		Town of Caledon
718.	Peel District School Board	1052	Herb Campbell PS		Town of Caledon
719.	Peel District School Board	1417	Macville PS		Town of Caledon
720.	Peel District School Board	1749	Palgrave PS		Town of Caledon
721.	Peterborough Victoria Northumberland and Clarington Catholic DSB	9261	St. Mary's School, Campbellford		Municipality of Trent Hills
722.	Peterborough Victoria Northumberland and Clarington Catholic DSB	9252	St. Joseph's School, Douro		Township of Douro-Dummer

Item/ Point	Column/Colonne 1	Column/Colonne 2	Column/Colonne 3	Column/Colonne 4	Column/Colonne 5
	Name of Board/Nom du conseil	SFIS No./N° du SIIS	Elementary School/École élémentaire	Secondary School/École secondaire	Location/Lieu
723.	Peterborough Victoria Northumberland and Clarington Catholic DSB	9256	St. Luke's School		City of Kawartha Lakes
724.	Peterborough Victoria Northumberland and Clarington Catholic DSB	9253	St. Martin's School		Township of Smith-Ennismore-Lakefield
725.	Peterborough Victoria Northumberland and Clarington Catholic DSB	9265	St. Mary's School, Grafton		Township of Alnwick-Haldimand
726.	Peterborough Victoria Northumberland and Clarington Catholic DSB	9257	St. John's School, Kirkfield		City of Kawartha Lakes
727.	Peterborough Victoria Northumberland and Clarington Catholic DSB	9254	St. Paul's School, Lakefield		Township of Smith-Ennismore-Lakefield
728.	Peterborough Victoria Northumberland and Clarington Catholic DSB	10037		St Thomas Aquinas Catholic	City of Kawartha Lakes
729.	Peterborough Victoria Northumberland and Clarington Catholic DSB	9255	St. Paul's School, Norwood		Township of Asphodel-Norwood
730.	Rainbow District School Board	298	C R Judd PS		City of Greater Sudbury
731.	Rainbow District School Board	433	Chelmsford PS		City of Greater Sudbury
732.	Rainbow District School Board	5853		Chelmsford Valley District C.S.	City of Greater Sudbury
733.	Rainbow District School Board	9829	Chelmsford Valley District CS Elementary Program		
734.	Rainbow District School Board	504	Copper Cliff PS		City of Greater Sudbury
735.	Rainbow District School Board	608	Larchwood PS		City of Greater Sudbury
736.	Rainbow District School Board	422	Charles C McLean PS		Gore Bay
737.	Rainbow District School Board	5483	Levack PS		City of Greater Sudbury
738.	Rainbow District School Board	1373	Little Current PS		Town of Northeastern Manitoulin And The Islands
739.	Rainbow District School Board	105	Assignack PS		Township of Assignack
740.	Rainbow District School Board	996	Markstay PS		Municipality of Markstay-Warren
741.	Rainbow District School Board	2075	S Geiger PS		Township of Sables-Spanish Rivers
742.	Rainbow District School Board	331	Central Manitoulin PS		Township of Central Manitoulin
743.	Rainbow District School Board	517	Monetville PS		Municipality of French River
744.	Rainbow District School Board	590	Wanup PS		City of Greater Sudbury
745.	Rainbow District School Board	9623	Warren P.S. (annex to Markstay PS)		Municipality of Markstay-Warren
746.	Rainbow District School Board	2436	Webbwood PS		Township of Sables-Spanish Rivers
747.	Rainbow District School Board	5505		Manitoulin SS	West Bay
748.	Rainbow District School Board	574	Robert H Murray PS		City of Greater Sudbury

Item/ Point	Column/Colonne 1	Column/Colonne 2	Column/Colonne 3	Column/Colonne 4	Column/Colonne 5
	Name of Board/Nom du conseil	SFIS No./N° du SIIS	Elementary School/École élémentaire	Secondary School/École secondaire	Location/Lieu
749.	Rainy River District School Board	9381	Atikokan HS (Elem)		Township of Atikokan
750.	Rainy River District School Board	9385	North Star Community School		Township of Atikokan
751.	Rainy River District School Board	9390		Atikokan HS	Township of Atikokan
752.	Rainy River District School Board	9376	Crossroads E PS		Township of La Vallee
753.	Rainy River District School Board	9377	Donald Young PS		Township of Emo
754.	Rainy River District School Board	9387	Sturgeon Creek S		Township of Chapple
755.	Rainy River District School Board	9383	Nestor Falls PS		Township of Sioux Narrows-Nestor Falls
756.	Rainy River District School Board	9375	Riverview E S		Town of Rainy River
757.	Rainy River District School Board	9392		Rainy River HS	Town of Rainy River
758.	Rainy River District School Board	9382	McCrossan-Tovell PS		Township of Lake of The Woods
759.	Renfrew County Catholic District School Board	4056	St John Bosco Sep S		Township of Madawaska Valley
760.	Renfrew County Catholic District School Board	4088	St Joseph's Sep S - Calabogie		Township of Greater Madawaska
761.	Renfrew County Catholic District School Board	3767	St Anthony's Sep S		Town of Laurentian Hills
762.	Renfrew County Catholic District School Board	3604	George Vanier Sep S		Township of Madawaska Valley
763.	Renfrew County Catholic District School Board	4274	St Mary's Sep S - Deep River		Town of Deep River
764.	Renfrew County Catholic District School Board	4326	St Michael's Sep S		Township of Admaston/Bromley
765.	Renfrew County Catholic District School Board	4013	St James Sep S		Township of Bonnechere Valley
766.	Renfrew County Catholic District School Board	3715	St Andrews Sep S		Township of Killaloe, Hagarty And Richards
767.	Renfrew County Catholic District School Board	3829	St Casimir's Sep S		Township of Killaloe, Hagarty And Richards
768.	Renfrew County Catholic District School Board	3531	Our Lady of Grace Sep S		Township of Whitewater Region
769.	Renfrew County Catholic District School Board	4275	St Mary's Sep S - Wilno		Township of Killaloe, Hagarty And Richards
770.	Renfrew County District School Board	1509	McNab PS		Township of McNab-Braeside
771.	Renfrew County District School Board	131	Sherwood PS		Township of Madawaska Valley
772.	Renfrew County District School Board	5502		Madawaska Valley DHS	Township of Madawaska Valley
773.	Renfrew County District School Board	152	Beachburg PS		Township of Whitewater Region
774.	Renfrew County District School Board	116	Calabogie PS		Township of Greater Madawaska
775.	Renfrew County District School Board	470	Cobden District PS		Township of Whitewater Region
776.	Renfrew County District School Board	1260	Keys PS		Town of Deep River
777.	Renfrew County District School Board	2274	Morison PS		Town of Deep River
778.	Renfrew County District School Board	5311		MacKenzie HS	Town of Deep River

Item/ Point	Column/Colonne 1	Column/Colonne 2	Column/Colonne 3	Column/Colonne 4	Column/Colonne 5
	Name of Board/Nom du conseil	SFIS No./N° du SIIS	Elementary School/École élémentaire	Secondary School/École secondaire	Location/Lieu
779.	Renfrew County District School Board	5566		Opeongo HS	Township of Admaston/Bromley
780.	Renfrew County District School Board	9445	Eganville P.S.		Township of Bonnechere Valley
781.	Renfrew County District School Board	1262	Killaloe PS		Township of Killaloe, Hagarty And Richards
782.	Renfrew County District School Board	1948	Palmer Rapids PS		Township of Brudenell, Lyndoch And Raglan
783.	Renfrew County District School Board	56	Rockwood PS		Township of Laurentian Valley
784.	Renfrew County District School Board	1811	Pine View PS		Township of Laurentian Valley
785.	Renfrew County District School Board	20	Admaston PS		Township of Admaston/Bromley
786.	Renfrew County District School Board	1109	Horton PS		Township of Horton
787.	Renfrew County District School Board	2468	Westmeath PS		Township of Whitewater Region
788.	Simcoe County District School Board	8188	Angus Morrison ES		Township of Essa
789.	Simcoe County District School Board	8189	Pine River ES		Township of Essa
790.	Simcoe County District School Board	8214	Tecumseth North ES		Town of New Tecumseth
791.	Simcoe County District School Board	8137	Frederick Campbell ES		Borden
792.	Simcoe County District School Board	8144	Hon. Earl Rowe PS		Town of Bradford-West Gwillimbury
793.	Simcoe County District School Board	8173	Sir William Osler PS		Town of Bradford-West Gwillimbury
794.	Simcoe County District School Board	8238		Bradford DHS	Town of Bradford-West Gwillimbury
795.	Simcoe County District School Board	8198	Brechin PS		Township of Ramara
796.	Simcoe County District School Board	8202	Coldwater PS		Township of Severn
797.	Simcoe County District School Board	8204	Cookstown PS		Town of Innisfil
798.	Simcoe County District School Board	8215	Tecumseth Beeton		Town of New Tecumseth
799.	Simcoe County District School Board	8161	Nottawasaga & Creemore PS		Township of Clearview
800.	Simcoe County District School Board	8162	Creemore Annex		Township of Clearview
801.	Simcoe County District School Board	8190	Cumberland Beach /Ardrea PS		Township of Severn
802.	Simcoe County District School Board	8191	Cumberland Beach /Ardrea PS		Township of Severn
803.	Simcoe County District School Board	8208	Duntroon Central PS		Township of Clearview
804.	Simcoe County District School Board	8193	Baxter Annex		Township of Essa
805.	Simcoe County District School Board	8194	Baxter Central PS		Township of Essa
806.	Simcoe County District School Board	8146	Huron Centennial ES		Township of Springwater
807.	Simcoe County District School Board	8241		Elmvale DHS	Township of Springwater
808.	Simcoe County District School Board	8217	Tosorontio Central PS		Township of Adjala-Tosorontio

Item/ Point	Column/Colonne 1	Column/Colonne 2	Column/Colonne 3	Column/Colonne 4	Column/Colonne 5
	Name of Board/Nom du conseil	SFIS No./N° du SIIS	Elementary School/École élémentaire	Secondary School/École secondaire	Location/Lieu
809.	Simcoe County District School Board	8209	East Oro PS		Township of Oro-Medonte
810.	Simcoe County District School Board	8143	Hillsdale ES		Township of Springwater
811.	Simcoe County District School Board	8147	Innisfil Central PS		Town of Innisfil
812.	Simcoe County District School Board	8150	Killarney Beach PS		Town of Innisfil
813.	Simcoe County District School Board	8183	Adjala Central PS		Township of Adjala-Tosorontio
814.	Simcoe County District School Board	8212	Forest Hill PS		Township of Springwater
815.	Simcoe County District School Board	8155	Minesing Central PS		Township of Springwater
816.	Simcoe County District School Board	8156	Moonstone ES		Township of Oro-Medonte
817.	Simcoe County District School Board	8159	New Lowell PS		Township of Clearview
818.	Simcoe County District School Board	8271	Nottawa PS		Township of Clearview
819.	Simcoe County District School Board	8153	Marchmont PS		Township of Severn
820.	Simcoe County District School Board	8219	Uptergrove PS		Township of Ramara
821.	Simcoe County District School Board	8139	Guthrie PS		Township of Oro-Medonte
822.	Simcoe County District School Board	8166	Port McNicoll PS		Township of Tay
823.	Simcoe County District School Board	8172	Shanty Bay PS		Township of Oro-Medonte
824.	Simcoe County District School Board	8223	W. R. Best Memorial PS		Township of Oro-Medonte
825.	Simcoe County District School Board	8199	Byng PS		Township of Clearview
826.	Simcoe County District School Board	8247		Stayner CI	Township of Clearview
827.	Simcoe County District School Board	10123	Clearview Meadows new		Township of Clearview
828.	Simcoe County District School Board	8138	Goodfellow PS		Town of Innisfil
829.	Simcoe County District School Board	8176	Sunnybrae PS		Town of Innisfil
830.	Simcoe County District School Board	8265	Alcona Glen ES		Town of Innisfil
831.	Simcoe County District School Board	8216	Tecumseth South Central PS		Town of New Tecumseth
832.	Simcoe County District School Board	8218	Tottenham PS		Town of New Tecumseth
833.	Simcoe County District School Board	8220	Victoria Harbour ES		Township of Tay
834.	Simcoe County District School Board	8154	Warminster ES		Township of Oro-Medonte
835.	Simcoe County District School Board	8196	Birchview Dunes ES		Town of Wasaga Beach
836.	Simcoe County District School Board	8227	Worsley ES		Town of Wasaga Beach
837.	Simcoe County District School Board	8169	Rama Central PS		Washago
838.	Simcoe County District School Board	8225	Waubauskene ES		Township of Tay

Item/ Point	Column/Colonne 1	Column/Colonne 2	Column/Colonne 3	Column/Colonne 4	Column/Colonne 5
	Name of Board/Nom du conseil	SFIS No./N° du SIIS	Elementary School/École élémentaire	Secondary School/École secondaire	Location/Lieu
839.	Simcoe County District School Board	9713	Waubauskene Pines		Township of Tay
840.	Simcoe County District School Board	8229	Wyevale Central PS		Township of Tiny
841.	Simcoe Muskoka Catholic District School Board	8299	Our Lady of Grace		Township of Essa
842.	Simcoe Muskoka Catholic District School Board	9404	Monsignor J.E. Ronan		Town of New Tecumseth
843.	Simcoe Muskoka Catholic District School Board	8310	St Charles		Town of Bradford-West Gwillimbury
844.	Simcoe Muskoka Catholic District School Board	8288	Foley		Township of Ramara
845.	Simcoe Muskoka Catholic District School Board	8306	Prince of Peace		Cfb Borden
846.	Simcoe Muskoka Catholic District School Board	8313	St James		Township of Adjala-Tosorontio
847.	Simcoe Muskoka Catholic District School Board	8300	Our Lady of Lourdes		Township of Springwater
848.	Simcoe Muskoka Catholic District School Board	8301	Our Lady of Mercy		Township of Georgian Bay
849.	Simcoe Muskoka Catholic District School Board	8302	Our Lady of Assumption		Township of Clearview
850.	Simcoe Muskoka Catholic District School Board	8298	Notre Dame		Township of Oro-Medonte
851.	Simcoe Muskoka Catholic District School Board	8312	St Francis of Assisi		Town of Innisfil
852.	Simcoe Muskoka Catholic District School Board	9791	Holy Cross		Town of Innisfil
853.	Simcoe Muskoka Catholic District School Board	8287	Father F.X. O'Reilly		Town of New Tecumseth
854.	Simcoe Muskoka Catholic District School Board	8327		St Thomas Aquinas	Town of New Tecumseth
855.	Simcoe Muskoka Catholic District School Board	8330	St Antoine Daniel		Township of Tay
856.	Simcoe Muskoka Catholic District School Board	9407	St Noel Chabanel		Town of Wasaga Beach
857.	St. Clair Catholic District School Board	3732	St. Anne Catholic S, Blenheim		Municipality of Chatham-Kent
858.	St. Clair Catholic District School Board	4236	St. Mary Catholic S.		Municipality of Chatham-Kent
859.	St. Clair Catholic District School Board	4002	St. Ignatius Catholic S		Municipality of Chatham-Kent
860.	St. Clair Catholic District School Board	4315	St. Michael Catholic S, Bright's Grove		City of Sarnia
861.	St. Clair Catholic District School Board	4527	St. Vincent Catholic S		Municipality of Chatham-Kent
862.	St. Clair Catholic District School Board	6387	St. Joseph Catholic S, Corunna		Township of St. Clair
863.	St. Clair Catholic District School Board	4297	St. Michael Catholic S, Dresden		Municipality of Chatham-Kent
864.	St. Clair Catholic District School Board	4061	St. John Fisher Catholic S		Municipality of Lambton Shores
865.	St. Clair Catholic District School Board	4424	St. Philip Catholic S		Town of Petrolia
866.	St. Clair Catholic District School Board	3649	Sacred Heart Catholic S, Port Lambton		Township of St. Clair
867.	St. Clair Catholic District School Board	4304	St. Michael Catholic S, Ridgetown		Municipality of Chatham-Kent
868.	St. Clair Catholic District School Board	4386	St. Paul Catholic S		Municipality of Chatham-Kent



Item/ Point	Column/Colonne 1	Column/Colonne 2	Column/Colonne 3	Column/Colonne 4	Column/Colonne 5
	Name of Board/Nom du conseil	SFIS No./N° du SIIS	Elementary School/École élémentaire	Secondary School/École secondaire	Location/Lieu
869.	St. Clair Catholic District School Board	4123	St. Joseph Catholic S, Tilbury		Municipality of Chatham-Kent
870.	St. Clair Catholic District School Board	4400	St. Peter Canisius Catholic S		Township of Warwick
871.	St. Clair Catholic District School Board	3315	Holy Rosary Catholic S		Town of Plympton-Wyoming
872.	Sudbury Catholic District School Board	4240	St Mary Sep S		City of Greater Sudbury
873.	Sudbury Catholic District School Board	3844	St Charles Sep S		City of Greater Sudbury
874.	Sudbury Catholic District School Board	3550	St Paul the Apostle Sep S		City of Greater Sudbury
875.	Sudbury Catholic District School Board	4116	St Joseph Sep S		Municipality of Killarney
876.	Sudbury Catholic District School Board	4212	St Mark Sep S		Municipality of Markstay-Warren
877.	Sudbury Catholic District School Board	3766	St Christopher Sep S		City of Greater Sudbury
878.	Superior North Catholic District School Board	4100	St Joseph		Municipality of Greenstone
879.	Superior North Catholic District School Board	3514	Our Lady of Fatima		Municipality of Greenstone
880.	Superior North Catholic District School Board	3542	Our Lady of Lourdes S		Township of Manitouwadge
881.	Superior North Catholic District School Board	3319	Holy Saviour		Town of Marathon
882.	Superior North Catholic District School Board	3821	St Brigid Sep S		Municipality of Greenstone
883.	Superior North Catholic District School Board	10661	Saint Edward Catholic School		Township of Nipigon
884.	Superior North Catholic District School Board	3996	St Hilary Sep S		Township of Red Rock
885.	Superior North Catholic District School Board	3269	Holy Angels Sep S		Township of Schreiber
886.	Superior North Catholic District School Board	4230	St Martin		Township of Terrace Bay
887.	Superior-Greenstone District School Board	5389	Beardmore PS		Municipality of Greenstone
888.	Superior-Greenstone District School Board	601	Dorion PS		Township of Dorion
889.	Superior-Greenstone District School Board	896	B A Parker PS		Municipality of Greenstone
890.	Superior-Greenstone District School Board	5388		Geraldton Comp Secondary School	Municipality of Greenstone
891.	Superior-Greenstone District School Board	9535	Marjorie Mills PS		Municipality of Greenstone
892.	Superior-Greenstone District School Board	1436	Manitouwadge PS		Township of Manitouwadge
893.	Superior-Greenstone District School Board	9319		New Manitouwadge HS	Township of Manitouwadge
894.	Superior-Greenstone District School Board	1461	Margaret Twomey PS		Town of Marathon
895.	Superior-Greenstone District School Board	5507		Marathon HS	Town of Marathon
896.	Superior-Greenstone District School Board	1632	George O'Neill PS		Township of Nipigon
897.	Superior-Greenstone District School Board	1963	Red Rock PS		Township of Red Rock
898.	Superior-Greenstone District School Board	5542		Nipigon Red Rock DHS	Township of Red Rock

Item/ Point	Column/Colonne 1	Column/Colonne 2	Column/Colonne 3	Column/Colonne 4	Column/Colonne 5
	Name of Board/Nom du conseil	SFIS No./N° du SIIS	Elementary School/École élémentaire	Secondary School/École secondaire	Location/Lieu
899.	Superior-Greenstone District School Board	2089	Schreiber PS		Township of Schreiber
900.	Superior-Greenstone District School Board	2289	Terrace Bay PS		Township of Terrace Bay
901.	Superior-Greenstone District School Board	5631		Lake Superior HS	Township of Terrace Bay
902.	Thames Valley District School Board	683	East Williams Memorial PS		Municipality of North Middlesex
903.	Thames Valley District School Board	1500	McGillivray Central PS		Municipality of North Middlesex
904.	Thames Valley District School Board	1381	Centennial Central PS		Township of Middlesex Centre
905.	Thames Valley District School Board	5517		Medway HS	Township of Middlesex Centre
906.	Thames Valley District School Board	1429	Summer's Corners PS		Township of Malahide
907.	Thames Valley District School Board	2459	Beachville PS		Township of South-West Oxford
908.	Thames Valley District School Board	600	South Dorchester PS		Township of Malahide
909.	Thames Valley District School Board	1656	North Norwich PS		Township of Norwich
910.	Thames Valley District School Board	569	Delaware Central PS		Township of Middlesex Centre
911.	Thames Valley District School Board	1857	Prince Andrew PS		Township of Middlesex Centre
912.	Thames Valley District School Board	1664	Northdale Central Sr PS		Municipality of Thames Centre
913.	Thames Valley District School Board	1992	River Heights PS		Municipality of Thames Centre
914.	Thames Valley District School Board	5309		Lord Dorchester SS	Municipality of Thames Centre
915.	Thames Valley District School Board	630	Drumbo Central PS		Township of Blandford-Blenheim
916.	Thames Valley District School Board	654	Dunwich-Dutton PS		Municipality of Dutton-Dunwich
917.	Thames Valley District School Board	2589	Zorra Highland Park PS		Township of Zorra
918.	Thames Valley District School Board	711	Ekcoe Central PS		Municipality of Southwest Middlesex
919.	Thames Valley District School Board	1571	Mosa Central PS		Municipality of Southwest Middlesex
920.	Thames Valley District School Board	5391		Glencoe DHS	Municipality of Southwest Middlesex
921.	Thames Valley District School Board	1059	Hickson Central PS		Township of East Zorra-Tavistock
922.	Thames Valley District School Board	1738	Oxbow PS		Township of Middlesex Centre
923.	Thames Valley District School Board	2358	Valleyview Central PS		Township of Middlesex Centre
924.	Thames Valley District School Board	1148	Innerkip Central PS		Township of East Zorra-Tavistock
925.	Thames Valley District School Board	5	A J Baker		Township of Zorra
926.	Thames Valley District School Board	1770	Parkview PS		Township of Middlesex Centre
927.	Thames Valley District School Board	192	Biddulph Central PS		Township of Lucan Biddulph
928.	Thames Valley District School Board	1398	Lucan PS		Township of Lucan Biddulph

Item/ Point	Column/Colonne 1	Column/Colonne 2	Column/Colonne 3	Column/Colonne 4	Column/Colonne 5
	Name of Board/Nom du conseil	SFIS No./N° du SIIS	Elementary School/École élémentaire	Secondary School/École secondaire	Location/Lieu
929.	Thames Valley District School Board	323	Caradoc South PS		Township of Strathroy-Caradoc
930.	Thames Valley District School Board	321	Caradoc Central PS		Township of Strathroy-Caradoc
931.	Thames Valley District School Board	1677	Norwich PS		Township of Norwich
932.	Thames Valley District School Board	5557		Norwich DHS	Township of Norwich
933.	Thames Valley District School Board	2183	Otterville Central PS		Township of Norwich
934.	Thames Valley District School Board	1758	Parkhill-West Williams PS		Municipality of North Middlesex
935.	Thames Valley District School Board	5548		North Middlesex DHS	Municipality of North Middlesex
936.	Thames Valley District School Board	1826	Plattsville & District PS		Township of Blandford-Blenheim
937.	Thames Valley District School Board	1840	Port Burwell PS		Municipality of Bayham
938.	Thames Valley District School Board	1890	Princeton Central PS		Township of Blandford-Blenheim
939.	Thames Valley District School Board	38	Aldborough PS		Municipality of West Elgin
940.	Thames Valley District School Board	2577	Sparta PS		Municipality of Central Elgin
941.	Thames Valley District School Board	2203	Springfield PS		Township of Malahide
942.	Thames Valley District School Board	2194	Southwold PS		Township of Southwold
943.	Thames Valley District School Board	2578	New Sarum PS		Municipality of Central Elgin
944.	Thames Valley District School Board	2248	Straffordville PS		Municipality of Bayham
945.	Thames Valley District School Board	22	Adelaide - W G MacDonald PS		Township of Adelaide-Metcalf
946.	Thames Valley District School Board	322	Caradoc North PS		Township of Strathroy-Caradoc
947.	Thames Valley District School Board	1535	Metcalf Central PS		Township of Adelaide-Metcalf
948.	Thames Valley District School Board	2280	Tavistock PS		Township of East Zorra-Tavistock
949.	Thames Valley District School Board	2292	Thamesford PS		Township of Zorra
950.	Thames Valley District School Board	1348	Leesboro Central PS		Municipality of Thames Centre
951.	Thames Valley District School Board	1835	Plover Mills PS		Municipality of Thames Centre
952.	Thames Valley District School Board	2450		West Elgin SS	Municipality of West Elgin
953.	Thames Valley District School Board	5886	West Elgin Sr PS		Municipality of West Elgin
954.	Thames Valley District School Board	680	East Oxford PS		Township of Norwich
955.	Thames Valley District School Board	9932	Sweaburg PS		Township of South-West Oxford
956.	Trillium Lakelands District School Board	952	Grandview PS		Township of Cavan-Millbrook-North Monaghan
957.	Trillium Lakelands District School Board	2026	Rolling Hills PS		City of Kawartha Lakes
958.	Trillium Lakelands District School Board	217	Bobcaygeon PS		City of Kawartha Lakes

Item/ Point	Column/Colonne 1	Column/Colonne 2	Column/Colonne 3	Column/Colonne 4	Column/Colonne 5
	Name of Board/Nom du conseil	SFIS No./N° du SIIS	Elementary School/École élémentaire	Secondary School/École secondaire	Location/Lieu
959.	Trillium Lakelands District School Board	1597	Muskoka Falls/Oakley PS		Town of Bracebridge
960.	Trillium Lakelands District School Board	2092	Fenelon Twp PS		City of Kawartha Lakes
961.	Trillium Lakelands District School Board	325	Cardiff ES		Municipality of Highlands East
962.	Trillium Lakelands District School Board	190	Ridgewood PS		City of Kawartha Lakes
963.	Trillium Lakelands District School Board	651	Dunsford Dist ES		City of Kawartha Lakes
964.	Trillium Lakelands District School Board	1155	Irwin Memorial PS		Township of Lake of Bays
965.	Trillium Lakelands District School Board	1331	Langton PS		City of Kawartha Lakes
966.	Trillium Lakelands District School Board	5361		Fenelon Falls SS	City of Kawartha Lakes
967.	Trillium Lakelands District School Board	10386		Fenelon Falls Community Learning Centre	City of Kawartha Lakes
968.	Trillium Lakelands District School Board	1001	J Douglas Hodgson ES		Township of Dysart Et Al
969.	Trillium Lakelands District School Board	2379		CLC - Haliburton	Township of Dysart Et Al
970.	Trillium Lakelands District School Board	5409		Haliburton Highland SS	Township of Dysart Et Al
971.	Trillium Lakelands District School Board	9548	Stuart Baker ES		Township of Dysart Et Al
972.	Trillium Lakelands District School Board	5971	Glen Orchard/Honey Harbour PS		Township of Georgian Bay
973.	Trillium Lakelands District School Board	274	Riverside PS		Town of Huntsville
974.	Trillium Lakelands District School Board	714	Lady MacKenzie PS		City of Kawartha Lakes
975.	Trillium Lakelands District School Board	5892		Adult Ed. & Trg Centre	City of Kawartha Lakes
976.	Trillium Lakelands District School Board	618	Dr. George Hall PS		City of Kawartha Lakes
977.	Trillium Lakelands District School Board	82	Archie Stouffer ES		Township of Minden Hills
978.	Trillium Lakelands District School Board	1428	Mariposa ES		City of Kawartha Lakes
979.	Trillium Lakelands District School Board	1704	Lady Eaton ES		City of Kawartha Lakes
980.	Trillium Lakelands District School Board	6372	Scott Young PS		City of Kawartha Lakes
981.	Trillium Lakelands District School Board	1522	Glen Orchard/Honey Harbour PS		Township of Muskoka Lakes
982.	Trillium Lakelands District School Board	1569	K P Manson PS		Town of Gravenhurst
983.	Trillium Lakelands District School Board	2350	V K Greer Memorial PS		Town of Huntsville
984.	Trillium Lakelands District School Board	2433	Watt PS		Township of Muskoka Lakes
985.	Trillium Lakelands District School Board	2501	Wilberforce ES		Municipality of Highlands East
986.	Trillium Lakelands District School Board	2568	Woodville ES		City of Kawartha Lakes
987.	Upper Canada District School Board	10551	Meadowview Public School		Township of Elizabethtown-Kitley
988.	Upper Canada District School Board	5395		Glengarry DHS	Township of North Glengarry

Item/ Point	Column/Colonne 1	Column/Colonne 2	Column/Colonne 3	Column/Colonne 4	Column/Colonne 5
	Name of Board/Nom du conseil	SFIS No./N° du SIIS	Elementary School/École élémentaire	Secondary School/École secondaire	Location/Lieu
989.	Upper Canada District School Board	65	Naismith Memorial PS		Town of Mississippi Mills
990.	Upper Canada District School Board	5207		Almonte & District High School	Town of Mississippi Mills
991.	Upper Canada District School Board	6340	R Tait Mckenzie PS		Town of Mississippi Mills
992.	Upper Canada District School Board	107	Pineview Public School		Township of Athens
993.	Upper Canada District School Board	5215		Athens District High School	Township of Athens
994.	Upper Canada District School Board	113	Roxmore PS		Township of North Stormont
995.	Upper Canada District School Board	5691		Tagwi Secondary School	Township of North Stormont
996.	Upper Canada District School Board	1328	S J McLeod PS		Township of South Glengarry
997.	Upper Canada District School Board	182	North Stormont PS		Township of North Stormont
998.	Upper Canada District School Board	398	Dixons Corners PS		Township of South Dundas
999.	Upper Canada District School Board	50	Algonquin Public School		Township of Augusta
1000.	Upper Canada District School Board	178	Benson Public School		Township of Edwardsburgh/Cardinal
1001.	Upper Canada District School Board	160	Beckwith PS		Township of Beckwith
1002.	Upper Canada District School Board	441	Chesterville PS		Township of North Dundas
1003.	Upper Canada District School Board	732	Elma PS		Township of South Dundas
1004.	Upper Canada District School Board	1450	Maple Ridge Sr PS		Township of North Dundas
1005.	Upper Canada District School Board	5544		North Dundas DHS	Township of North Dundas
1006.	Upper Canada District School Board	1305	Laggan PS		Township of North Glengarry
1007.	Upper Canada District School Board	538	South Crosby Public School		Township of Rideau Lakes
1008.	Upper Canada District School Board	5615		Rideau District High School	Township of Rideau Lakes
1009.	Upper Canada District School Board	312	Cambridge PS		Municipality of The Nation
1010.	Upper Canada District School Board	2048	Rothwell-Osnabruck E S		Township of South Stormont
1011.	Upper Canada District School Board	5572		Rothwell-Osnabruck DHS	Township of South Stormont
1012.	Upper Canada District School Board	1583	Inkerman PS		Township of North Dundas
1013.	Upper Canada District School Board	1153	Iroquois PS		Township of South Dundas
1014.	Upper Canada District School Board	5441		Seaway District HS	Township of South Dundas
1015.	Upper Canada District School Board	1247	Kemptville Public School		Municipality of North Grenville
1016.	Upper Canada District School Board	2191	South Branch Elementary School		Municipality of North Grenville
1017.	Upper Canada District School Board	5546		North Grenville District High School	Municipality of North Grenville
1018.	Upper Canada District School Board	1446	Maple Grove Public School		Township of Lanark Highlands

Item/ Point	Column/Colonne 1	Column/Colonne 2	Column/Colonne 3	Column/Colonne 4	Column/Colonne 5
	Name of Board/Nom du conseil	SFIS No./N° du SIIS	Elementary School/École élémentaire	Secondary School/École secondaire	Location/Lieu
1019.	Upper Canada District School Board	10553	Thousand Islands Elementary School		Township of Leeds And The Thousand Islands
1020.	Upper Canada District School Board	1378	Lombardy Public School		Township of Rideau Lakes
1021.	Upper Canada District School Board	1382	Longue Sault PS		Township of South Stormont
1022.	Upper Canada District School Board	1403	Lyn Public School		Township of Elizabethtown-Kitley
1023.	Upper Canada District School Board	2270	Sweets Corners Elementary School		Township of Leeds And The Thousand Islands
1024.	Upper Canada District School Board	1423	Maitland Public School		Township of Augusta
1025.	Upper Canada District School Board	1431	Front of Yonge Public School		Township of Front of Yonge
1026.	Upper Canada District School Board	1475	Martintown PS		Township of South Glengarry
1027.	Upper Canada District School Board	1491	Maxville PS		Township of North Glengarry
1028.	Upper Canada District School Board	1533	Merrickville Public School		Village of Merrickville-Wolford
1029.	Upper Canada District School Board	2549	Wolford Public School		Village of Merrickville-Wolford
1030.	Upper Canada District School Board	2530	Morewood PS		Township of North Dundas
1031.	Upper Canada District School Board	1568	Morrisburg PS		Township of South Dundas
1032.	Upper Canada District School Board	1741	Oxford-On-Rideau Public School		Municipality of North Grenville
1033.	Upper Canada District School Board	1746	Pakenham PS		Town of Mississippi Mills
1034.	Upper Canada District School Board	631	Drummond Central PS		Township of Drummond-North Elmsley
1035.	Upper Canada District School Board	737	North Elmsley PS		Township of Drummond-North Elmsley
1036.	Upper Canada District School Board	917	Glen Tay PS		Township of Tay Valley
1037.	Upper Canada District School Board	1825	Plantagenet PS		Township of Alfred And Plantagenet
1038.	Upper Canada District School Board	1623	Rideau Centennial Public School		Township of Rideau Lakes
1039.	Upper Canada District School Board	220	Boundary Street Public School		Separated Town of Prescott
1040.	Upper Canada District School Board	376	Central Public School		Separated Town of Prescott
1041.	Upper Canada District School Board	707	South Edwardsburg PS		Township of Edwardsburgh/Cardinal
1042.	Upper Canada District School Board	1492	Maynard Public School		Township of Augusta
1043.	Upper Canada District School Board	5664		South Grenville District High School	Separated Town of Prescott
1044.	Upper Canada District School Board	1604	Nationview PS		Township of North Dundas
1045.	Upper Canada District School Board	353	Centennial '67 Public School		Township of Edwardsburgh/Cardinal
1046.	Upper Canada District School Board	5993	North Edwardsburg PS		Township of Edwardsburgh/Cardinal
1047.	Upper Canada District School Board	1853	Pleasant Corners PS		Township of Champlain

Item/ Point	Column/Colonne 1	Column/Colonne 2	Column/Colonne 3	Column/Colonne 4	Column/Colonne 5
	Name of Board/Nom du conseil	SFIS No./N° du SIIS	Elementary School/École élémentaire	Secondary School/École secondaire	Location/Lieu
1048.	Upper Canada District School Board	5716		Vankleek Hill CI	Township of Champlain
1049.	Upper Canada District School Board	1981	Rideau Vista Public School		Township of Rideau Lakes
1050.	Upper Canada District School Board	2512	Williamstown PS		Township of South Glengarry
1051.	Upper Canada District School Board	5253		Char-Lan District High School	Township of South Glengarry
1052.	Upper Canada District School Board	2528	Winchester PS		Township of North Dundas
1053.	Upper Grand District School Board	1789	Alma PS		Township of Mapleton
1054.	Upper Grand District School Board	101	Arthur PS		Township of Wellington North
1055.	Upper Grand District School Board	411	Centre Peel PS		Township of Mapleton
1056.	Upper Grand District School Board	627	Drayton Heights P.S.		Township of Mapleton
1057.	Upper Grand District School Board	739	Elora Sr PS		Township of Centre Wellington
1058.	Upper Grand District School Board	749	Brisbane PS		Town of Erin
1059.	Upper Grand District School Board	5353	Erin PS		Town of Erin
1060.	Upper Grand District School Board	9987		Erin DHS	Town of Erin
1061.	Upper Grand District School Board	10487		Centre Wellington District High School	Township of Centre Wellington
1062.	Upper Grand District School Board	949	Grand Valley & District PS		Township of East Luther Grand Valley
1063.	Upper Grand District School Board	1838	Ponsonby PS		Township of Centre Wellington
1064.	Upper Grand District School Board	1899	Aberfoyle PS		Township of Puslinch
1065.	Upper Grand District School Board	1024	Harriston PS		Town of Minto
1066.	Upper Grand District School Board	1553	Minto-Clifford PS		Town of Minto
1067.	Upper Grand District School Board	750	Ross R MacKay PS		Town of Erin
1068.	Upper Grand District School Board	1248	Kenilworth PS		Township of Wellington North
1069.	Upper Grand District School Board	1561	Maryborough PS		Township of Mapleton
1070.	Upper Grand District School Board	1576	Mount Forest PS		Township of Wellington North
1071.	Upper Grand District School Board	10488		Wellington Heights	Township of Wellington North
1072.	Upper Grand District School Board	9432	Laurelwoods ES		Township of Amaranth
1073.	Upper Grand District School Board	866	East Garafraxa Central PS		Township of East Garafraxa
1074.	Upper Grand District School Board	1752	Palmerston P.S.		Town of Minto
1075.	Upper Grand District School Board	5556		Norwell DHS	Town of Minto
1076.	Upper Grand District School Board	748	Eramosa PS		Township of Guelph/Eramosa
1077.	Upper Grand District School Board	2020	Rockwood Centennial PS		Township of Guelph/Eramosa

Item/ Point	Column/Colonne 1	Column/Colonne 2	Column/Colonne 3	Column/Colonne 4	Column/Colonne 5
	Name of Board/Nom du conseil	SFIS No./N° du SIIS	Elementary School/École élémentaire	Secondary School/École secondaire	Location/Lieu
1078.	Upper Grand District School Board	2078	Salem PS		Township of Centre Wellington
1079.	Upper Grand District School Board	361	Centennial Hylands E S		Township of Amaranth
1080.	Upper Grand District School Board	939	Hyland Heights E S		Town of Shelburne
1081.	Upper Grand District School Board	1856	Primrose E S		Township of Mulmur
1082.	Upper Grand District School Board	5275		Centre Dufferin DHS	Town of Shelburne
1083.	Waterloo Catholic District School Board	9939	St. Brigid		Township of North Dumfries
1084.	Waterloo Catholic District School Board	4590	St Boniface Sep S (Maryhill)		Township of Woolwich
1085.	Waterloo Catholic District School Board	4596	St Agatha S		Township of Wilmot
1086.	Waterloo Catholic District School Board	4592	St Clement Sep S		Township of Wellesley
1087.	Waterloo Region District School Board	115	Ayr PS		Township of North Dumfries
1088.	Waterloo Region District School Board	9963	Cedar Creek		Township of North Dumfries
1089.	Waterloo Region District School Board	2523	Baden PS		Township of Wilmot
1090.	Waterloo Region District School Board	5732		Waterloo-Oxford DSS	Township of Wilmot
1091.	Waterloo Region District School Board	2428	Breslau PS		Township of Woolwich
1092.	Waterloo Region District School Board	2570	Conestogo PS		Township of Woolwich
1093.	Waterloo Region District School Board	829	Floradale PS		Township of Woolwich
1094.	Waterloo Region District School Board	1369	Linwood PS		Township of Wellesley
1095.	Waterloo Region District School Board	2519	New Dundee PS		Township of Wilmot
1096.	Waterloo Region District School Board	841	Forest Glen PS		Township of Wilmot
1097.	Waterloo Region District School Board	1618	Grandview PS		Township of Wilmot
1098.	Waterloo Region District School Board	2521	Wilmot Sr PS		Township of Wilmot
1099.	Waterloo Region District School Board	2571	Three Bridges PS		Township of Woolwich
1100.	Waterloo Region District School Board	2573	St Jacobs PS		Township of Woolwich
1101.	Waterloo Region District School Board	2440	Wellesley PS		Township of Wellesley
1102.	Wellington Catholic District School Board	4041	St John Cath Arth		Township of Wellington North
1103.	Wellington Catholic District School Board	4242	St Mary Cath Elora		Township of Centre Wellington
1104.	Wellington Catholic District School Board	4059	St John Brebeuf Cath S		Town of Erin
1105.	Wellington Catholic District School Board	4241	St Mary Cath MF		Township of Wellington North
1106.	Windsor-Essex Catholic District School Board	4055	St John the Baptist Sep S		Town of Lakeshore
1107.	Windsor-Essex Catholic District School Board	4538	St William Sep S		Town of Lakeshore



Item/ Point	Column/Colonne 1	Column/Colonne 2	Column/Colonne 3	Column/Colonne 4	Column/Colonne 5
	Name of Board/Nom du conseil	SFIS No./N° du SIIS	Elementary School/École élémentaire	Secondary School/École secondaire	Location/Lieu
1108.	Windsor-Essex Catholic District School Board	4480	St Theresa Sep S		Town of Amherstburg
1109.	Windsor-Essex Catholic District School Board	4571		St Thomas of Villanova SS	Town of Lasalle
1110.	Windsor-Essex Catholic District School Board	4245	St Mary's S		Town of Tecumseh
1111.	Windsor-Essex Catholic District School Board	4084	St Joseph Sep S		Town of Amherstburg
1112.	Windsor-Essex Catholic District School Board	3084	Our Lady of the Annunciation		Town of Lakeshore
1113.	Windsor-Essex Catholic District School Board	4406	St Peter Sep S		Town of Tecumseh
1114.	Windsor-Essex Catholic District School Board	4064	St John Sep S		Town of Lakeshore
1115.	York Catholic District School Board	3638	Holy Name CES		Township of King
1116.	York Catholic District School Board	4280	St. Mary CES		Township of King
1117.	York Catholic District School Board	4352	St. Patrick (Schomberg) CES		Township of King
1118.	York Catholic District School Board	3500	Our Lady of Good CES		Town of East Gwillimbury
1119.	York Catholic District School Board	3759	St. Bernadette CES		Town of Georgina
1120.	York Region District School Board	1258	Kettleby PS		Township of King
1121.	York Region District School Board	1285	King City PS		Township of King
1122.	York Region District School Board	1301	Kleinburg PS		City of Vaughan
1123.	York Region District School Board	1572	Mount Albert PS		Town of East Gwillimbury
1124.	York Region District School Board	1289	Nobleton Junior PS		Township of King
1125.	York Region District School Board	1637	Nobleton Sr PS		Township of King
1126.	York Region District School Board	1565	Morning Glory PS		Town of Georgina
1127.	York Region District School Board	985	Queensville PS		Town of East Gwillimbury
1128.	York Region District School Board	1288	Schomberg PS		Township of King
1129.	York Region District School Board	984	Sharon PS		Town of East Gwillimbury
1130.	York Region District School Board	119	Ballantrae PS		Town of Whitchurch-Stouffville
1131.	York Region District School Board	2490	Whitchurch Highlands PS		Town of Whitchurch-Stouffville
1132.	York Region District School Board	199	Black River PS		Town of Georgina
1133.	York Region District School Board	2267	Sutton PS		Town of Georgina
1134.	York Region District School Board	5689		Sutton DHS	Town of Georgina

**ONTARIO REGULATION 401/05**

made under the

**EDUCATION ACT**

Made: June 22, 2005  
 Approved: June 22, 2005  
 Filed: June 27, 2005

Amending O. Reg. 144/04

(Calculation of Fees for Pupils for the 2004-2005 School Board Fiscal Year)

Note: Ontario Regulation 144/04 has previously been amended. Those amendments are listed in the [Table of Regulations – Legislative History Overview](#) which can be found at [www.e-Laws.gov.on.ca](http://www.e-Laws.gov.on.ca).

**1. (1) Subparagraphs 3 v and vi of subsection 3 (3) of Ontario Regulation 144/04 are revoked and the following substituted:**

- v. Calculate the sum of the approved ISA level 1 claims for elementary school pupils of the board for the fiscal year, as determined under section 17 of the grant regulation.
- vi. Calculate the part of the total approved special incidence ISA claims for the board for the fiscal year, as determined under section 19 of the grant regulation, that is generated by elementary school pupils of the board.

**(2) Subparagraph 4 v of subsection 3 (4) of the Regulation is amended by striking out “section 28” and substituting “subsection 28 (3)”.**

**2. Paragraph 1 of subsection 5 (2) of the Regulation is amended by striking out “or (6)” and substituting “or (5)”.**

**RÈGLEMENT DE L'ONTARIO 401/05**

pris en application de la

**LOI SUR L'ÉDUCATION**

pris le 22 juin 2005  
 approuvé le 22 juin 2005  
 déposé le 27 juin 2005

modifiant le Règl. de l'Ont. 144/04

(Calcul des droits exigibles à l'égard des élèves pour l'exercice 2004-2005 des conseils scolaires)

Remarque : Le Règlement de l'Ontario 144/04 a été modifié antérieurement. Ces modifications sont indiquées dans le [Sommaire de l'historique législatif des règlements](#) qui se trouve sur le site [www.lois-en-ligne.gouv.on.ca](http://www.lois-en-ligne.gouv.on.ca).

**1. (1) Les sous-dispositions 3 v et vi du paragraphe 3 (3) du Règlement de l'Ontario 144/04 sont abrogées et remplacées par ce qui suit :**

- v. Calculer la somme des demandes approuvées à l'égard d'AAS de niveau 1 pour l'exercice, calculées en application de l'article 17 du règlement sur les subventions, qui visent les élèves de l'élémentaire du conseil.
- vi. Calculer la part du total des demandes d'AAS pour cas spéciaux approuvées pour le conseil pour l'exercice, calculées en application de l'article 19 du règlement sur les subventions, qui vise les élèves de l'élémentaire du conseil.

**(2) La sous-disposition 4 v du paragraphe 3 (4) du Règlement est modifiée par substitution de «du paragraphe 28 (3)» à «de l'article 28».**

**2. La disposition 1 du paragraphe 5 (2) du Règlement est modifiée par substitution de «ou (5)» à «ou (6)».**

Made by:  
Pris par :

*Le ministre de l'Éducation,*

GERARD KENNEDY  
*Minister of Education*

Date made: June 22, 2005.  
Pris le : 22 juin 2005.

29/05

## ONTARIO REGULATION 402/05

made under the

### EDUCATION ACT

Made: June 22, 2005  
Approved: June 22, 2005  
Filed: June 27, 2005

Amending O. Reg. 181/98  
(Identification and Placement of Exceptional Pupils)

Note: Ontario Regulation 181/98 has previously been amended. Those amendments are listed in the [Table of Regulations – Legislative History Overview](#) which can be found at [www.e-Laws.gov.on.ca](http://www.e-Laws.gov.on.ca).

1. The English version of subsection 13 (2) of Ontario Regulation 181/98 is amended by striking out “district office” and substituting “regional office”.
2. The English version of clause 27 (1) (c) of the Regulation is amended by striking out “district manager” and substituting “regional manager”.

## RÈGLEMENT DE L'ONTARIO 402/05

pris en application de la

### LOI SUR L'ÉDUCATION

pris le 22 juin 2005  
approuvé le 22 juin 2005  
déposé le 27 juin 2005

modifiant le Règl. de l'Ont. 181/98  
(Identification et placement des élèves en difficulté)

Remarque : Le Règlement de l'Ontario 181/98 a été modifié antérieurement. Ces modifications sont indiquées dans le [Sommaire de l'historique législatif des règlements](#) qui se trouve sur le site [www.lois-en-ligne.gouv.on.ca](http://www.lois-en-ligne.gouv.on.ca).

1. La version anglaise du paragraphe 13 (2) du Règlement de l'Ontario 181/98 est modifiée par substitution de «regional office» à «district office».
2. La version anglaise de l'alinéa 27 (1) c) du Règlement est modifiée par substitution de «regional manager» à «district manager».

Made by:  
Pris par :

*Le ministre de l'Éducation,*

GERARD KENNEDY  
*Minister of Education*

Date made: June 22, 2005.  
Pris le : 22 juin 2005.

29/05

## ONTARIO REGULATION 403/05

made under the

### EDUCATION ACT

Made: June 22, 2005  
Filed: June 27, 2005

Amending O. Reg. 399/00  
(Class Size)

Note: Ontario Regulation 399/00 has previously been amended. Those amendments are listed in the [Table of Regulations – Legislative History Overview](#) which can be found at [www.e-Laws.gov.on.ca](http://www.e-Laws.gov.on.ca).

**1. (1) Paragraph 1 of section 3 of Ontario Regulation 399/00 is amended by striking out “by the credit value” and substituting “by one half of the credit value”.**

**(2) Section 3 of the Regulation is amended by adding the following paragraph:**

1.1 For each non-semestered class in each secondary school of the board, multiply the number of pupils enrolled in the class as of March 31 in the school year by one-half of the credit value of the class. Total the results obtained.

**(3) Paragraph 4 of section 3 of the Regulation is amended by striking out “1, 2” and substituting “1, 1.1, 2”.**

**2. (1) Paragraph 1 of section 9 of the Regulation is amended by striking out “by the credit value” and substituting “by one half of the credit value”.**

**(2) Section 9 of the Regulation is amended by adding the following paragraph:**

1.1 For each non-semestered class in the secondary school, multiply the number of pupils enrolled in the class as of March 31 in the school year by one half of the credit value of the class. Total the results obtained.

**(3) Paragraph 4 of section 9 of the Regulation is amended by striking out “1, 2” and substituting “1, 1.1, 2”.**

**RÈGLEMENT DE L'ONTARIO 403/05**

pris en application de la

**LOI SUR L'ÉDUCATION**pris le 22 juin 2005  
déposé le 27 juin 2005modifiant le Règl. de l'Ont. 399/00  
(Effectif des classes)

Remarque : Le Règlement de l'Ontario 399/00 a été modifié antérieurement. Ces modifications sont indiquées dans le [Sommaire de l'historique législatif des règlements](#) qui se trouve sur le site [www.lois-en-ligne.gouv.on.ca](http://www.lois-en-ligne.gouv.on.ca).

**1. (1) La disposition 1 de l'article 3 du Règlement de l'Ontario 399/00 est modifiée par substitution de «la moitié de la valeur en crédits» à «la valeur en crédits».**

**(2) L'article 3 du Règlement est modifié par adjonction de la disposition suivante :**

1.1 Pour chaque classe non semestrielle de chaque école secondaire du conseil, multiplier le nombre d'élèves inscrits à cette classe au 31 mars de l'année scolaire par la moitié de la valeur en crédits de la classe. Additionner les résultats.

**(3) La disposition 4 de l'article 3 du Règlement est modifiée par substitution de «1, 1.1, 2» à «1, 2».**

**2. (1) La disposition 1 de l'article 9 du Règlement est modifiée par substitution de «la moitié de la valeur en crédits» à «la valeur en crédits».**

**(2) L'article 9 du Règlement est modifié par adjonction de la disposition suivante :**

1.1 Pour chaque classe non semestrielle de l'école secondaire, multiplier le nombre d'élèves inscrits à cette classe au 31 mars de l'année scolaire par la moitié de la valeur en crédits de la classe. Additionner les résultats.

**(3) La disposition 4 de l'article 9 du Règlement est modifiée par substitution de «1, 1.1, 2» à «1, 2».**

29/05

**ONTARIO REGULATION 404/05**

made under the

**LIQUOR LICENCE ACT**Made: June 22, 2005  
Filed: June 27, 2005Amending O. Reg. 389/91  
(Special Occasion Permits)

Note: Ontario Regulation 389/91 has previously been amended. Those amendments are listed in the [Table of Regulations – Legislative History Overview](#) which can be found at [www.e-Laws.gov.on.ca](http://www.e-Laws.gov.on.ca).

**1. Section 10 of Ontario Regulation 389/91 is amended by adding the following subsection:**

(2) Subsection (1) does not apply to the premises with tiered seats known as Peter Hallman Ball Yard, 220 Hayward Avenue, Kitchener, Ontario for the duration of the International Softball Congress World Fastball Tournament, August 11, 2006 to and including August 19, 2006, on condition that the holder of the permit for that event and all persons selling or serving liquor and all security personnel at the event, other than paid duty police officers acting as security personnel, have completed a server training course approved by the Board.

29/05

**ONTARIO REGULATION 405/05**

made under the

**SAFE DRINKING WATER ACT, 2002**

Made: June 22, 2005

Filed: June 27, 2005

Amending O. Reg. 252/05  
(Non-Residential and Non-Municipal Seasonal Residential Systems  
that Do Not Serve Designated Facilities)

Note: Ontario Regulation 252/05 has not previously been amended.

**1. Section 7 of Ontario Regulation 252/05 is amended by adding the following subsection:**

(0.1) Section 12 of the Act does not apply to a small municipal non-residential system.

29/05

**ONTARIO REGULATION 406/05**

made under the

**PROVINCIAL OFFENCES ACT**

Made: June 22, 2005

Filed: June 28, 2005

Amending Reg. 950 of R.R.O. 1990  
(Proceedings Commenced by Certificate of Offence)

Note: Regulation 950 has previously been amended. Those amendments are listed in the [Table of Regulations – Legislative History Overview](#) which can be found at [www.e-Laws.gov.on.ca](http://www.e-Laws.gov.on.ca).

**1. Regulation 950 of the Revised Regulations of Ontario, 1990 is amended by adding the following Schedule:**

## SCHEDULE 52.1

Ontario Regulation 316/03 under the *Highway Traffic Act*

Item	Column 1	Column 2
1.	Unlawfully drive ORV on highway	section 2
2.	Drive ORV on Schedule A highway	section 3
3.	Drive ORV on Schedule B highway	subsection 4 (1)
4.	Drive ATV with passenger on Schedule B highway	subsection 4 (2)
5.	ORV — weight over 450 kg	subsection 7 (1)
6.	ORV — width over 1.35 m	subsection 7 (2)
7.	ORV — tires not low pressure bearing	section 8
8.	ORV — fail to meet safety standards	section 9
9.	Pre-2002 ORV — fail to meet equipment and performance standards	subsection 10 (1)
10.	Post-2001 ORV — fail to meet equipment and performance standards	subsection 10 (2)
11.	ORV — equipment missing	section 11
12.	ORV — equipment not operating properly	section 11
13.	ORV — improper braking system	section 12
14.	ORV — not equipped with required lamps	subsection 13 (1)
15.	ORV — lamps not lit	subsection 13 (2)
16.	ORV — front lamps aimed improperly	subsection 13 (4)
17.	ORV — no rear stop lamp	subsection 13 (5)
18.	ORV — reflex reflectors missing	subsection 13 (7)

Item	Column 1	Column 2
19.	ORV — reflex reflectors fail to meet standards	subsection 13 (8)
20.	ORV — improper windshield	section 14
21.	ORV — driver's view obstructed	subsection 15 (1)
22.	ORV — driver's view obstructed by trailer or load	subsection 15 (2)
23.	ORV — no permit	subsection 16 (1)
24.	ORV — no number plate	subsection 16 (1)
25.	ORV — number plate improperly displayed	subsection 16 (1)
26.	Drive ORV — no insurance	section 17
27.	Drive ORV — no driver's licence	section 18
28.	Drive ORV — fail to wear proper helmet	section 19
29.	ORV — speeding — more than 20 km/h where limit is 50 km/h or less	clause 22 (1) (a)
30.	ORV — speeding — more than 50 km/h where limit is over 50 km/h	clause 22 (1) (b)
31.	ORV — fail to drive on shoulder	subsection 24 (1)
32.	ORV — fail to drive in same direction as traffic	subsection 24 (1)
33.	ORV — fail to drive on roadway at level railway crossing	subsection 24 (3)
34.	ORV — fail to drive in same direction as traffic at level railway crossing	subsection 24 (3)
35.	ORV — fail to drive at right edge of shoulder	subsection 24 (4)
36.	ORV — fail to drive at right edge of roadway	subsection 24 (5)
37.	ORV — fail to yield when entering shoulder or roadway	subsection 24 (6)
38.	ORV — enter shoulder or roadway when not safe	subsection 24 (6)
39.	ORV — drive on median strip	subsection 24 (7)
40.	ORV — drive in designated construction zone	subsection 24 (8)
41.	ORV — drive on highway under construction or maintenance	subsection 24 (8)
42.	ORV — drive adjacent to closed highway	subsection 24 (9)
43.	ORV — pass other vehicle improperly	subsection 24 (10)
44.	ORV — improper start position for left turn	subsection 24 (13)
45.	ORV — improper movement at end of left turn	subsection 24 (14)

29/05

**ONTARIO REGULATION 407/05**

made under the

**PROVINCIAL OFFENCES ACT**

Made: June 22, 2005

Filed: June 28, 2005

Amending Reg. 950 of R.R.O. 1990  
(Proceedings Commenced by Certificate of Offence)

Note: Regulation 950 has previously been amended. Those amendments are listed in the [Table of Regulations – Legislative History Overview](#) which can be found at [www.e-Laws.gov.on.ca](http://www.e-Laws.gov.on.ca).

**1. (1) Item 227 of Schedule 43 to Regulation 950 of the Revised Regulations of Ontario, 1990 is revoked and the following substituted:**

	227.	Refuse or fail to stop and move vehicle to a safe location	subsection 82 (9)
	227.1	Refuse or fail to submit vehicle to examinations and tests	subsection 82 (9)
	227.2	Refuse or fail to have vehicle repaired and submitted to further examinations and tests	subsection 82 (9)
	227.3	Refuse or fail to have vehicle repaired and submit evidence of compliance	subsection 82 (9)
	227.4	Refuse or fail to assist with examinations and tests of vehicle	subsection 82 (9)
	227.5	Refuse or fail to place vehicle in safe condition	subsection 82 (9)
	227.6	Refuse or fail to remove unsafe vehicle from highway	subsection 82 (9)
	227.7	Operate unsafe vehicle on highway contrary to officer's prohibition	subsection 82 (9)

227.8	Permit operation of unsafe vehicle on highway contrary to officer's prohibition	subsection 82 (9)
227.9	Refuse or fail to stop and move vehicle to a safe location — commercial motor vehicle	subsection 82 (10)
227.10	Refuse or fail to submit vehicle to examinations and tests — commercial motor vehicle	subsection 82 (10)
227.11	Refuse or fail to have vehicle repaired and submitted to further examinations and tests — commercial motor vehicle	subsection 82 (10)
227.12	Refuse or fail to have vehicle repaired and submit evidence of compliance — commercial motor vehicle	subsection 82 (10)
227.13	Refuse or fail to assist with examinations and tests of vehicle — commercial motor vehicle	subsection 82 (10)
227.14	Refuse or fail to place vehicle in safe condition — commercial motor vehicle	subsection 82 (10)
227.15	Refuse or fail to remove unsafe vehicle from highway — commercial motor vehicle	subsection 82 (10)
227.16	Operate unsafe vehicle on highway contrary to officer's prohibition — commercial motor vehicle	subsection 82 (10)
227.17	Permit operation of unsafe vehicle on highway contrary to officer's prohibition — commercial motor vehicle	subsection 82 (10)

**(2) Schedule 43 to the Regulation is amended by adding the following items:**

314.2	Violate non-weight condition of special permit	clause 110.2 (3) (a)
314.3	Violate weight condition of special permit	clause 110.2 (3) (b)
314.4	Violate weight condition of special permit — liftable axle lifted	clause 110.2 (3) (b)
314.5	Violate weight condition of special permit — liftable axle deployed improperly	clause 110.2 (3) (b)
314.6	Violate more than one condition, including a weight condition, of special permit	clause 110.2 (3) (c)
314.7	Violate more than one condition, including a weight condition, of special permit — liftable axle lifted	clause 110.2 (3) (c)
314.8	Violate more than one condition, including a weight condition, of special permit — liftable axle deployed improperly	clause 110.2 (3) (c)

. . . . .

317.1	Overweight on tires ...kg. — liftable axle lifted	clause 115 (1) (a)
317.2	Overweight on tires ...kg. — liftable axle deployed improperly	clause 115 (1) (a)

. . . . .

318.1	Overweight on tires ...kg. — liftable axle lifted	clause 115 (1) (b)
318.2	Overweight on tires ...kg. — liftable axle deployed improperly	clause 115 (1) (b)

. . . . .

319.1	Overweight single axle (single tires) ...kg. Class A Highway — liftable axle lifted	clause 116 (1) (a)
319.2	Overweight single axle (single tires) ...kg. Class A Highway — liftable axle deployed improperly	clause 116 (1) (a)

. . . . .

320.1	Overweight single axle (dual tires) ...kg. Class A Highway — liftable axle lifted	clause 116 (1) (b)
320.2	Overweight single axle (dual tires) ...kg. Class A Highway — liftable axle deployed improperly	clause 116 (1) (b)

. . . . .

321.1	Overweight dual axle ...kg. Class A Highway — liftable axle lifted	clause 116 (1) (c)
321.2	Overweight dual axle ...kg. Class A Highway — liftable axle deployed improperly	clause 116 (1) (c)

. . . . .

322.1	Overweight triple axle ...kg. Class A Highway — liftable axle lifted	clause 116 (1) (d)
-------	--	--------------------



	322.2	Overweight triple axle ...kg. Class A Highway — liftable axle deployed improperly	clause 116 (1) (d)
--	-------	---	--------------------

. . . . .

	323.1	Overweight dual axle (single tires) ...kg. Class A Highway — liftable axle lifted	subsection 116 (2)
	323.2	Overweight dual axle (single tires) ...kg. Class A Highway — liftable axle deployed improperly	subsection 116 (2)

. . . . .

	324.1	Overweight triple axle (single tires) ...kg. Class A Highway — liftable axle lifted	subsection 116 (3)
	324.2	Overweight triple axle (single tires) ...kg. Class A Highway — liftable axle deployed improperly	subsection 116 (3)

. . . . .

	325.1	Overweight single front axle ...kg. No verification. Class A Highway — liftable axle lifted	subsection 116 (4)
	325.2	Overweight single front axle ...kg. No verification. Class A Highway — liftable axle deployed improperly	subsection 116 (4)

**(3) Items 326, 327, 328, 329, 330 and 331 of Schedule 43 to the Regulation are revoked and the following substituted:**

	326	Overweight single front axle ...kg. Exceed rating. Class A Highway	subsection 116 (6)
	326.1	Overweight single front axle ...kg. Exceed rating. Class A Highway — liftable axle lifted	subsection 116 (6)
	326.2	Overweight single front axle ...kg. Exceed rating. Class A Highway — liftable axle deployed improperly	subsection 116 (6)
	327	Overweight two axle group ...kg. Class A Highway	clause 117 (1) (a)
	327.1	Overweight two axle group ...kg. Class A Highway — liftable axle lifted	clause 117 (1) (a)
	327.2	Overweight two axle group ...kg. Class A Highway — liftable axle deployed improperly	clause 117 (1) (a)
	328	Overweight three axle group ...kg. Class A Highway	clause 117 (1) (b)
	328.1	Overweight three axle group ...kg. Class A Highway — liftable axle lifted	clause 117 (1) (b)
	328.2	Overweight three axle group ...kg. Class A Highway — liftable axle deployed improperly	clause 117 (1) (b)
	329	Overweight four axle group ...kg. Class A Highway	clause 117 (1) (c)
	329.1	Overweight four axle group ...kg. Class A Highway — liftable axle lifted	clause 117 (1) (c)
	329.2	Overweight four axle group ...kg. Class A Highway — liftable axle deployed improperly	clause 117 (1) (c)
	330	Overweight vehicle ...kg. Class A Highway	section 118
	330.1	Overweight vehicle ...kg. Class A Highway — liftable axle lifted	section 118
	330.2	Overweight vehicle ...kg. Class A Highway — liftable axle deployed improperly	section 118
	331	Overweight vehicle during freeze-up ...kg.	subsection 119 (4)
	331.1	Overweight vehicle during freeze-up ...kg. — liftable axle lifted	subsection 119 (4)
	331.2	Overweight vehicle during freeze-up ...kg. — liftable axle deployed improperly	subsection 119 (4)

**(4) The French version of item 332 of Schedule 43 to the Regulation is revoked and the following substituted:**

	332.	Poids excessif sur un essieu ... kilogrammes. Route de catégorie B	article 120
--	------	--	-------------

**(5) Schedule 43 to the Regulation is amended by adding the following items:**

	332.1	Overweight on axle ...kg. Class B Highway — liftable axle lifted	section 120
	332.2	Overweight on axle ...kg. Class B Highway — liftable axle deployed improperly	section 120

. . . . .

	335.1	Overweight on axle ...kg. — reduced load period	subsection 122 (1)
	335.2	Overweight on axle ...kg. — reduced load period — liftable axle lifted	subsection 122 (1)
	335.3	Overweight on axle ...kg. — reduced load period — liftable axle deployed improperly	subsection 122 (1)
	335.4	Overweight on tire ...kg. — reduced load period	subsection 122 (3)
	335.5	Overweight on tire ...kg. — reduced load period — liftable axle lifted	subsection 122 (3)
	335.6	Overweight on tire ...kg. — reduced load period — liftable axle deployed improperly	subsection 122 (3)

	544.1	Insurer fail to notify Registrar as prescribed re irreparable or salvage vehicle	subsection 199.1 (4)
	544.2	Specified person fail to notify Registrar as prescribed re irreparable or salvage vehicle	subsection 199.1 (5)
	544.3	Misclassify vehicle as irreparable or salvage in notice to Registrar	subsection 199.1 (7)
	544.4	Fail to notify permit holder as prescribed re irreparable or salvage vehicle	subsection 199.1 (8)
	544.5	Fail to return permit or portion of permit for irreparable or salvage vehicle to Registrar as prescribed	subsection 199.1 (16)
	544.6	Drive or draw irreparable or salvage vehicle	subsection 199.1 (19)
	544.7	Permit irreparable or salvage vehicle to be driven or drawn	subsection 199.1 (19)

## RÈGLEMENT DE L'ONTARIO 407/05

pris en application de la

### LOI SUR LES INFRACTIONS PROVINCIALES

pris le 22 juin 2005  
déposé le 28 juin 2005

modifiant le Règl. 950 des R.R.O. de 1990

(Instances introduites au moyen du dépôt d'un procès-verbal d'infraction)

Remarque : Le Règlement 950 a été modifié antérieurement. Ces modifications sont indiquées dans le [Sommaire de l'historique législatif des règlements](#) qui se trouve sur le site [www.lois-en-ligne.gouv.on.ca](http://www.lois-en-ligne.gouv.on.ca).

**1. (1) Le numéro 227 de l'annexe 43 du Règlement 950 des Règlements refondus de l'Ontario de 1990 est abrogé et remplacé par ce qui suit :**

	227.	Refuser ou omettre de s'arrêter et de déplacer un véhicule à un endroit sûr	paragraphe 82 (9)
	227.1	Refuser ou omettre de présenter un véhicule à des examens et vérifications	paragraphe 82 (9)
	227.2	Refuser ou omettre de faire réparer un véhicule et de le présenter à des examens et vérifications supplémentaires	paragraphe 82 (9)
	227.3	Refuser ou omettre de faire réparer un véhicule et de présenter la preuve établissant qu'il est conforme aux exigences	paragraphe 82 (9)
	227.4	Refuser ou omettre d'aider à effectuer les examens et vérifications d'un véhicule	paragraphe 82 (9)
	227.5	Refuser ou omettre de remettre un véhicule en bon état	paragraphe 82 (9)
	227.6	Refuser ou omettre d'enlever un véhicule en mauvais état d'une voie publique	paragraphe 82 (9)
	227.7	Utiliser un véhicule en mauvais état sur une voie publique contrairement à l'interdiction d'un agent	paragraphe 82 (9)
	227.8	Permettre d'utiliser un véhicule en mauvais état sur une voie publique contrairement à l'interdiction d'un agent	paragraphe 82 (9)
	227.9	Refuser ou omettre de s'arrêter et de déplacer un véhicule utilitaire à un endroit sûr	paragraphe 82 (10)

	227.10	Refuser ou omettre de présenter un véhicule utilitaire à des examens et vérifications	paragraphe 82 (10)
	227.11	Refuser ou omettre de faire réparer un véhicule utilitaire et de le présenter à des examens et vérifications supplémentaires	paragraphe 82 (10)
	227.12	Refuser ou omettre de faire réparer un véhicule utilitaire et de présenter la preuve établissant qu'il est conforme aux exigences	paragraphe 82 (10)
	227.13	Refuser ou omettre d'aider à effectuer les examens et vérifications d'un véhicule utilitaire	paragraphe 82 (10)
	227.14	Refuser ou omettre de remettre un véhicule utilitaire en bon état	paragraphe 82 (10)
	227.15	Refuser ou omettre d'enlever un véhicule utilitaire en mauvais état d'une voie publique	paragraphe 82 (10)
	227.16	Utiliser un véhicule utilitaire en mauvais état sur une voie publique contrairement à l'interdiction d'un agent	paragraphe 82 (10)
	227.17	Permettre d'utiliser un véhicule utilitaire en mauvais état sur une voie publique contrairement à l'interdiction d'un agent	paragraphe 82 (10)

**(2) L'annexe 43 du Règlement est modifiée par adjonction des numéros suivants :**

	314.2	Violer une condition d'une autorisation spéciale non relative au poids	alinéa 110.2 (3) a)
	314.3	Violer une condition d'une autorisation spéciale se rapportant au poids	alinéa 110.2 (3) b)
	314.4	Violer une condition d'une autorisation spéciale relative au poids — essieu relevable relevé	alinéa 110.2 (3) b)
	314.5	Violer une condition d'une autorisation spéciale relative au poids — utilisation irrégulière d'un essieu relevable	alinéa 110.2 (3) b)
	314.6	Violer plus d'une condition, y compris une condition relative au poids, d'une autorisation spéciale	alinéa 110.2 (3) c)
	314.7	Violer plus d'une condition, y compris une condition relative au poids, d'une autorisation spéciale — essieu relevable relevé	alinéa 110.2 (3) c)
	314.8	Violer plus d'une condition, y compris une condition relative au poids, d'une autorisation spéciale — utilisation irrégulière d'un essieu relevable	alinéa 110.2 (3) c)

. . . . .

	317.1	Poids excessif sur les pneus ... kilogrammes — essieu relevable relevé	alinéa 115 (1) a)
	317.2	Poids excessif sur les pneus ... kilogrammes — utilisation irrégulière d'un essieu relevable	alinéa 115 (1) a)

. . . . .

	318.1	Poids excessif sur les pneus ... kilogrammes — essieu relevable relevé	alinéa 115 (1) b)
	318.2	Poids excessif sur les pneus ... kilogrammes — utilisation irrégulière d'un essieu relevable	alinéa 115 (1) b)

. . . . .

	319.1	Poids excessif sur un essieu simple avec des pneus simples ... kilogrammes. Route de catégorie A — essieu relevable relevé	alinéa 116 (1) a)
	319.2	Poids excessif sur un essieu simple avec des pneus simples ... kilogrammes. Route de catégorie A — utilisation irrégulière d'un essieu relevable	alinéa 116 (1) a)

. . . . .

	320.1	Poids excessif sur un essieu simple avec des pneus doubles ... kilogrammes. Route de catégorie A — essieu relevable relevé	alinéa 116 (1) b)
	320.2	Poids excessif sur un essieu simple avec des pneus doubles ... kilogrammes. Route de catégorie A — utilisation irrégulière d'un essieu relevable	alinéa 116 (1) b)

. . . . .

	321.1	Poids excessif sur un essieu double ... kilogrammes. Route de catégorie A — essieu relevable relevé	alinéa 116 (1) c)
--	-------	---	-------------------

	321.2	Poids excessif sur un essieu double ... kilogrammes. Route de catégorie A — utilisation irrégulière d'un essieu relevable	alinéa 116 (1) c)
--	-------	---	-------------------

. . . . .

	322.1	Poids excessif sur un essieu triple ... kilogrammes. Route de catégorie A — essieu relevable relevé	alinéa 116 (1) d)
	322.2	Poids excessif sur un essieu triple ... kilogrammes. Route de catégorie A — utilisation irrégulière d'un essieu relevable	alinéa 116 (1) d)

. . . . .

	323.1	Poids excessif sur un essieu double avec des pneus simples ... kilogrammes. Route de catégorie A — essieu relevable relevé	paragraphe 116 (2)
	323.2	Poids excessif sur un essieu double avec des pneus simples ... kilogrammes. Route de catégorie A — utilisation irrégulière d'un essieu relevable	paragraphe 116 (2)

. . . . .

	324.1	Poids excessif sur un essieu triple avec des pneus simples ... kilogrammes. Route de catégorie A — essieu relevable relevé	paragraphe 116 (3)
	324.2	Poids excessif sur un essieu triple avec des pneus simples ... kilogrammes. Route de catégorie A — utilisation irrégulière d'un essieu relevable	paragraphe 116 (3)

. . . . .

	325.1	Poids excessif sur un essieu avant simple ... kilogrammes. Aucune vérification. Route de catégorie A — essieu relevable relevé	paragraphe 116 (4)
	325.2	Poids excessif sur un essieu avant simple ... kilogrammes. Aucune vérification. Route de catégorie A — utilisation irrégulière d'un essieu relevable	paragraphe 116 (4)

**(3) Les numéros 326, 327, 328, 329, 330 et 331 de l'annexe 43 du Règlement sont abrogés et remplacés par ce qui suit :**

	326.	Poids excessif sur un essieu avant simple ... kilogrammes. Dépasse la spécification. Route de catégorie A	paragraphe 116 (6)
	326.1	Poids excessif sur un essieu avant simple ... kilogrammes. Dépasse la spécification. Route de catégorie A — essieu relevable relevé	paragraphe 116 (6)
	326.2	Poids excessif sur un essieu avant simple ... kilogrammes. Dépasse la spécification. Route de catégorie A — utilisation irrégulière d'un essieu relevable	paragraphe 116 (6)
	327.	Poids excessif sur un ensemble de deux essieux ... kilogrammes. Route de catégorie A	alinéa 117 (1) a)
	327.1	Poids excessif sur un ensemble de deux essieux ... kilogrammes. Route de catégorie A — essieu relevable relevé	alinéa 117 (1) a)
	327.2	Poids excessif sur un ensemble de deux essieux ... kilogrammes. Route de catégorie A — utilisation irrégulière d'un essieu relevable	alinéa 117 (1) a)
	328.	Poids excessif sur un ensemble de trois essieux ... kilogrammes. Route de catégorie A	alinéa 117 (1) b)
	328.1	Poids excessif sur un ensemble de trois essieux ... kilogrammes. Route de catégorie A — essieu relevable relevé	alinéa 117 (1) b)
	328.2	Poids excessif sur un ensemble de trois essieux ... kilogrammes. Route de catégorie A — utilisation irrégulière d'un essieu relevable	alinéa 117 (1) b)
	329.	Poids excessif sur un ensemble de quatre essieux ... kilogrammes. Route de catégorie A	alinéa 117 (1) c)
	329.1	Poids excessif sur un ensemble de quatre essieux ... kilogrammes. Route de catégorie A — essieu relevable relevé	alinéa 117 (1) c)
	329.2	Poids excessif sur un ensemble de quatre essieux ... kilogrammes. Route de catégorie A — utilisation irrégulière d'un essieu relevable	alinéa 117 (1) c)
	330.	Véhicule de poids excessif ... kilogrammes. Route de catégorie A	article 118

	330.1	Véhicule de poids excessif ... kilogrammes. Route de catégorie A — essieu relevable relevé	article 118
	330.2	Véhicule de poids excessif ... kilogrammes. Route de catégorie A — utilisation irrégulière d'un essieu relevable	article 118
	331.	Poids excessif d'un véhicule en période de gel ... kilogrammes	paragraphe 119 (4)
	331.1	Poids excessif d'un véhicule en période de gel ... kilogrammes — essieu relevable relevé	paragraphe 119 (4)
	331.2	Poids excessif d'un véhicule en période de gel ... kilogrammes — utilisation irrégulière d'un essieu relevable	paragraphe 119 (4)

**(4) La version française du numéro 332 de l'annexe 43 du Règlement est abrogé et remplacé par ce qui suit :**

	332.	Poids excessif sur un essieu ... kilogrammes. Route de catégorie B	article 120
--	------	--	-------------

**(5) L'annexe 43 du Règlement est modifiée par adjonction des numéros suivants :**

	332.1	Poids excessif sur un essieu ... kilogrammes. Route de catégorie B — essieu relevable relevé	article 120
	332.2	Poids excessif sur un essieu ... kilogrammes. Route de catégorie B — utilisation irrégulière d'un essieu relevable	article 120

. . . . .

	335.1	Poids excessif sur un essieu ... kilogrammes — période de charge réduite	paragraphe 122 (1)
	335.2	Poids excessif sur un essieu ... kilogrammes — période de charge réduite — essieu relevable relevé	paragraphe 122 (1)
	335.3	Poids excessif sur un essieu ... kilogrammes — période de charge réduite — utilisation irrégulière d'un essieu relevable	paragraphe 122 (1)
	335.4	Poids excessif sur un pneu ... kilogrammes — période de charge réduite	paragraphe 122 (3)
	335.5	Poids excessif sur un pneu ... kilogrammes — période de charge réduite — essieu relevable relevé	paragraphe 122 (3)
	335.6	Poids excessif sur un pneu ... kilogrammes — période de charge réduite — utilisation irrégulière d'un essieu relevable	paragraphe 122 (3)

. . . . .

	544.1	Omission par l'assureur d'aviser comme il est prescrit le registrateur qu'un véhicule est irréparable ou récupérable	paragraphe 199.1 (4)
	544.2	Omission par la personne précisée d'aviser comme il est prescrit le registrateur qu'un véhicule est irréparable ou récupérable	paragraphe 199.1 (5)
	544.3	Mauvaise classification d'un véhicule comme irréparable ou récupérable dans l'avis au registrateur	paragraphe 199.1 (7)
	544.4	Omission d'aviser comme il est prescrit le titulaire du certificat d'immatriculation qu'un véhicule est irréparable ou récupérable	paragraphe 199.1 (8)
	544.5	Omission de retourner le certificat d'immatriculation ou la partie du certificat d'immatriculation relative à un véhicule irréparable ou récupérable au registrateur comme il est prescrit	paragraphe 199.1 (16)
	544.6	Conduire ou tracter un véhicule irréparable ou récupérable	paragraphe 199.1 (19)
	544.7	Permettre qu'un véhicule irréparable ou récupérable soit conduit ou tracté	paragraphe 199.1 (19)

29/05

**ONTARIO REGULATION 408/05**

made under the

**PROVINCIAL OFFENCES ACT**

Made: June 22, 2005

Filed: June 28, 2005

Amending Reg. 950 of R.R.O. 1990

(Proceedings Commenced by Certificate of Offence)

Note: Regulation 950 has previously been amended. Those amendments are listed in the [Table of Regulations – Legislative History Overview](#) which can be found at [www.e-Laws.gov.on.ca](http://www.e-Laws.gov.on.ca).

**1. (1) Items 1, 2, 3 and 4 of Schedule 46 to Regulation 950 of the Revised Regulations of Ontario, 1990 are revoked.**

**(2) Items 6 and 7 of Schedule 46 to the Regulation are revoked and the following substituted:**

6.	Class G1 licence holder — B.A.C. above zero	subsection 5 (1), paragraph 1
7.	Class G1 licence holder — accompanying driver's B.A.C. .05 or above	subsection 5 (1), paragraph 2

**(3) Item 9 of Schedule 46 to the Regulation is revoked and the following substituted:**

9.	Class G1 licence holder — more passengers than seat belts	subsection 5 (1), paragraph 4
----	---	-------------------------------

**(4) Items 12 and 13 of Schedule 46 to the Regulation are revoked and the following substituted:**

12.	Class G2 licence holder — B.A.C. above zero	subsection 6 (1), paragraph 1
13.	Class G2 licence holder — more passengers than seat belts	subsection 6 (1), paragraph 2
13.1	Class G2 licence holder (less than 6 months) — excess passengers under 20	subsection 6 (1), paragraph 3
13.2	Class G2 licence holder — B.A.C. above zero	subsection 6 (1.1), paragraph 1
13.3	Class G2 licence holder — more passengers than seat belts	subsection 6 (1.1), paragraph 2
13.4	Class G2 licence holder (6 months or more) — excess passengers under 20	subsection 6 (1.1), paragraph 3

**(5) Item 14 of Schedule 46 to the Regulation is revoked and the following substituted:**

14.	Class M1 licence holder — B.A.C. above zero	section 7, paragraph 1
-----	---	------------------------

**(6) Item 18 of Schedule 46 to the Regulation is revoked and the following substituted:**

18.	Class M2 licence holder — B.A.C. above zero	section 8
-----	---	-----------

**2. (1) Subject to subsections (2) and (3), this Regulation comes into force on the day it is filed.**

**(2) Subsection 1 (1) comes into force on the later of May 29, 2005 and the day this Regulation is filed.**

**(3) Subsection 1 (4) comes into force on the later of September 1, 2005 and the day this Regulation is filed.**

29/05

**ONTARIO REGULATION 409/05**

made under the

**PROVINCIAL OFFENCES ACT**

Made: June 22, 2005

Filed: June 28, 2005

Amending Reg. 950 of R.R.O. 1990

(Proceedings Commenced by Certificate of Offence)

Note: Regulation 950 has previously been amended. Those amendments are listed in the [Table of Regulations – Legislative History Overview](#) which can be found at [www.e-Laws.gov.on.ca](http://www.e-Laws.gov.on.ca).

**1. Schedule 43 to Regulation 950 of the Revised Regulations of Ontario, 1990 is amended by adding the following items:**

	116.1	Passenger fail to identify self	subsection 57.1.1 (1)
	116.2	Passenger fail to give required information	subsection 57.1.1 (2)

**2. This Regulation comes into force on the later of September 1, 2005 and the day this Regulation is filed.**

## RÈGLEMENT DE L'ONTARIO 409/05

pris en application de la

### LOI SUR LES INFRACTIONS PROVINCIALES

pris le 22 juin 2005  
déposé le 28 juin 2005

modifiant le Règl. 950 des R.R.O. de 1990  
(Instances introduites au moyen du dépôt d'un procès-verbal d'infraction)

Remarque : Le Règlement 950 a été modifié antérieurement. Ces modifications sont indiquées dans le [Sommaire de l'historique législatif des règlements](#) qui se trouve sur le site [www.lois-en-ligne.gouv.on.ca](http://www.lois-en-ligne.gouv.on.ca).

**1. L'annexe 43 du Règlement 950 des Règlements refondus de l'Ontario de 1990 est modifiée par adjonction des numéros suivants :**

	116.1	Dans le cas d'un passager, omettre de s'identifier	paragraphe 57.1.1 (1)
	116.2	Dans le cas d'un passager, omettre de donner d'autres renseignements	paragraphe 57.1.1 (2)

**2. Le présent règlement entre en vigueur le 1<sup>er</sup> septembre 2005 ou, s'il lui est postérieur, le jour de son dépôt.**

29/05

## ONTARIO REGULATION 410/05

made under the

### PROVINCIAL OFFENCES ACT

Made: June 22, 2005  
Filed: June 28, 2005

Amending Reg. 950 of R.R.O. 1990  
(Proceedings Commenced by Certificate of Offence)

Note: Regulation 950 has previously been amended. Those amendments are listed in the [Table of Regulations – Legislative History Overview](#) which can be found at [www.e-Laws.gov.on.ca](http://www.e-Laws.gov.on.ca).

**1. (1) Item 287.1 of Schedule 43 to Regulation 950 of the Revised Regulations of Ontario, 1990 is revoked.**

**(2) Items 507.5 and 507.6 of Schedule 43 to the Regulation are revoked and the following substituted:**

	507.5	Fail to stop for school bus	subsection 175 (11)
	507.6	Fail to stop for school bus	subsection 175 (12)
	507.7	Fail to stop for school bus — owner	subsection 175 (19)
	507.8	Fail to stop for school bus — owner	subsection 175 (20)

**2. (1) Subject to subsections (2) and (3), this Regulation comes into force on the day it is filed.**

**(2) Subsection 1 (1) comes into force on the later of September 1, 2005 and the day this Regulation is filed.**

**(3) Subsection 1 (2) comes into force on the later of the day subsection 5 (2) of the *Highway Traffic Statute Law Amendment Act (Child and Youth Safety), 2004* comes into force and the day this Regulation is filed.**

**RÈGLEMENT DE L'ONTARIO 410/05**

pris en application de la

**LOI SUR LES INFRACTIONS PROVINCIALES**pris le 22 juin 2005  
déposé le 28 juin 2005modifiant le Règl. 950 des R.R.O. de 1990  
(Instances introduites au moyen du dépôt d'un procès-verbal d'infraction)Remarque : Le Règlement 950 a été modifié antérieurement. Ces modifications sont indiquées dans le [Sommaire de l'historique législatif des règlements](#) qui se trouve sur le site [www.lois-en-ligne.gouv.on.ca](http://www.lois-en-ligne.gouv.on.ca).

1. (1) Le numéro 287.1 de l'annexe 43 du Règlement 950 des Règlements refondus de l'Ontario de 1990 est abrogé.
- (2) Les numéros 507.5 et 507.6 de l'annexe 43 du Règlement sont abrogés et remplacés par ce qui suit :

507.5	Omettre de s'arrêter pour un autobus scolaire	paragraphe 175 (11)
507.6	Omettre de s'arrêter pour un autobus scolaire	paragraphe 175 (12)
507.7	Omettre de s'arrêter pour un autobus scolaire — propriétaire	paragraphe 175 (19)
507.8	Omettre de s'arrêter pour un autobus scolaire — propriétaire	paragraphe 175 (20)

2. (1) Sous réserve des paragraphes (2) et (3), le présent règlement entre en vigueur le jour de son dépôt.
- (2) Le paragraphe 1 (1) entre en vigueur le 1<sup>er</sup> septembre 2005 ou, s'il lui est postérieur, le jour du dépôt du présent règlement.
- (3) Le paragraphe 1 (2) entre en vigueur le même jour que le paragraphe 5 (2) de la *Loi de 2004 modifiant des lois en ce qui concerne le Code de la route (sécurité des enfants et des jeunes)* ou, s'il lui est postérieur, le jour du dépôt du présent règlement.

29/05

**ONTARIO REGULATION 411/05**

made under the

**PROVINCIAL OFFENCES ACT**Made: June 22, 2005  
Filed: June 28, 2005Amending Reg. 950 of R.R.O. 1990  
(Proceedings Commenced by Certificate of Offence)Note: Regulation 950 has previously been amended. Those amendments are listed in the [Table of Regulations – Legislative History Overview](#) which can be found at [www.e-Laws.gov.on.ca](http://www.e-Laws.gov.on.ca).

1. Regulation 950 of the Revised Regulations of Ontario, 1990 is amended by adding the following Schedule:

## SCHEDULE 55.0.1

Regulation 613 of the Revised Regulations of Ontario, 1990 under the *Highway Traffic Act*

Item	Column 1	Column 2
1.	Fail to ensure infant properly secured	subsection 8 (2)
2.	Fail to ensure toddler properly secured	subsection 8 (3)
3.	Fail to ensure child properly secured	subsection 8 (4)

2. This Regulation comes into force on the later of September 1, 2005 and the day this Regulation is filed.

29/05



**ONTARIO REGULATION 412/05**

made under the

**PROVINCIAL OFFENCES ACT**

Made: June 22, 2005

Filed: June 28, 2005

Amending Reg. 950 of R.R.O. 1990

(Proceedings Commenced by Certificate of Offence)

Note: Regulation 950 has previously been amended. Those amendments are listed in the [Table of Regulations – Legislative History Overview](#) which can be found at [www.e-Laws.gov.on.ca](http://www.e-Laws.gov.on.ca).

**1. Regulation 950 of the Revised Regulations of Ontario, 1990 is amended by adding the following Schedule:**

## SCHEDULE 3.1

*Dangerous Goods Transportation Act*

Item	Column 1	Column 2
1.	Fail to comply with Federal Regulations safety requirement — no shipping document with prescribed information	clause 3 (a)
2.	Fail to comply with Federal Regulations safety requirement — shipping document not in prescribed location	clause 3 (a)
3.	Fail to comply with Federal Regulations safety requirement — unable to produce shipping document	clause 3 (a)
4.	Fail to comply with Federal Regulations safety requirement — transporting dangerous goods while untrained	clause 3 (a)
5.	Fail to comply with Federal Regulations safety requirement — permit transportation of dangerous goods by untrained employee	clause 3 (a)
6.	Fail to comply with Federal Regulations safety requirement — permit transportation of dangerous goods by employee with incomplete certificate	clause 3 (a)
7.	Fail to comply with Federal Regulations safety requirement — fail to give training certificate to inspector	clause 3 (a)
8.	Fail to comply with Federal Regulations safety requirement — misleading safety mark	clause 3 (a)
9.	Fail to display prescribed safety mark	clause 3 (b)
10.	Fail to comply with request of inspector	clause 10 (4) (a)

**2. (1) Schedule 52 to the Regulation is amended by adding the following items:**

6.1	Insufficient inspection area — Type 6 licence	clause 4 (1.1) (a)
6.2	Not equipped with proper measuring equipment — Type 6 licence	clause 4 (1.1) (b)
6.3	Not equipped with safe support devices — Type 6 licence	clause 4 (1.1) (c)
6.4	Unclean inspection area — Type 6 licence	clause 4 (1.1) (d)
6.5	Unsafe inspection area — Type 6 licence	clause 4 (1.1) (d)

7.1	Equipment not properly calibrated	subsection 4 (2)
7.2	Inspection premises not owned or leased by licensee	clause 5 (a)
7.3	Fail to display licence	clause 5 (b)
7.4	Issue SSC on form not supplied by Ministry	clause 5 (c)
7.5	Fail to issue SSC for compliant vehicle	clause 5 (d)
7.6	Charge additional fee	subsection 6 (1)
7.7	Motor vehicle inspection mechanic fails to hold required certificate of qualification	subsection 8 (1)
7.8	Auto body and collision damage repairer issues certificate other than structural inspection certificate for rebuilt motor vehicle	subsection 8 (5.1)

12.1	Fail to send required information and documents to Director within seven days of issuing structural inspection certificate	subsection 10.1 (1)
12.2	Issue structural inspection certificate without complete record of required information, documents and photographs	subsection 10.1 (2)

**(2) Items 13 and 14 of Schedule 52 to the Regulation are revoked and the following substituted:**

13.	Fail to display identifying sign for Class P station	subsection 11 (1)
14.	Fail to return identifying sign for Class P station to Ministry	subsection 11 (2)

**3. (1) Items 7 and 8 of Schedule 55 to the Regulation are revoked and the following substituted:**

7.	Control device not accessible to driver	clause 1 (1) (c) para. 4
8.	Control device not equipped to signal driver	clause 1 (1) (c) para. 4
8.1	Pre-82 school bus not painted as required	clause 1 (1) (f)
8.2	Post-81 school bus not painted as required	clause 1 (1) (g)

**(2) Item 12 of Schedule 55 to the Regulation is revoked and the following substituted:**

12.	No stop arm device	subsection 1 (2)
12.1	Improper stop arm device	subsection 1 (2)

**(3) Schedule 55 to the Regulation is amended by adding the following items:**

33.	Not equipped with log book	subsection 4 (1)
34.	Improper log book	subsection 4 (1)
35.	Driver — fail to inspect school purposes vehicle	subsection 4 (2)
36.	Driver — fail to report defect	subsection 4 (4)
37.	Driver — fail to record defect information	subsection 4 (5)
38.	Repair person — fail to record repair information	subsection 4 (6)

29/05

**ONTARIO REGULATION 413/05**

made under the

**HIGHWAY TRAFFIC ACT**

Made: June 22, 2005

Filed: June 28, 2005

**VEHICLE WEIGHTS AND DIMENSIONS — FOR SAFE, PRODUCTIVE AND  
INFRASTRUCTURE-FRIENDLY VEHICLES****CONTENTS**

## APPLICATION AND INTERPRETATION

1. Application
2. Definitions

## DESIGNATED COMBINATIONS

3. Designated combinations
4. Alternative designated combinations

## PRECONDITIONS FOR VEHICLE COMBINATIONS TO BE DESIGNATED COMBINATIONS

5. Lifiable axles
6. Rear impact guards
7. Brakes
8. Tires
9. Wheel cut
10. Self-steering axle locking device
11. Tri-drive locking device
12. C-train equipment

13. Semi-trailer labelling  
14. Weight requirements

## RULES APPLICABLE TO DESIGNATED COMBINATIONS

15. Dimensional limits for long combinations  
16. Tire weight limits  
17. Axle unit weight limits  
18. Front axle weights — designated combinations  
19. Axle group weight limits  
20. Maximum allowable gross vehicle weight — designated combinations 1-10  
21. Maximum allowable gross vehicle weight — designated combination 11  
22. Maximum allowable gross vehicle weight — designated combination 12  
23. Maximum allowable gross vehicle weight — designated combination 13

## MAXIMUM ALLOWABLE GROSS VEHICLE WEIGHTS FOR DESIGNATED COMBINATIONS AND OTHER VEHICLES AND VEHICLE COMBINATIONS

24. Allowable gross vehicle weights

## WEIGHT REDUCTIONS — NON-DESIGNATED COMBINATIONS

25. Aggregate vehicles  
26. Calculation  
27. Dump semi-trailers  
28. Semi-trailer with three or fewer axles  
29. Tank semi-trailer with three or fewer axles  
30. Specialized tank semi-trailer with three or fewer axles  
31. Semi-trailer with four or more axles  
32. A-trains and C-trains  
33. B-trains  
34. Permits

## MISCELLANEOUS

35. Tractor tandem axle weight increases  
36. Buses — dimensions

## SCHEDULES OF DESIGNATED COMBINATIONS

37. Interpretation for Schedules  
38. Revocation  
Schedule 1 Designated combination 1 — tractor fixed axle semi-trailer  
Schedule 2 Designated combination 2 — tractor self-steer triaxle semi-trailer  
Schedule 3 Designated combination 3 — tractor self-steer quad semi-trailer  
Schedule 4 Designated combination 4 — tractor self-steer 5-axle semi-trailer (1-3-1)  
Schedule 5 Designated combination 5 — tractor self-steer 5-axle semi-trailer (1-1-3)  
Schedule 6 Designated combination 6 — tractor self-steer 6-axle semi-trailer (1-4-1)  
Schedule 7 Designated combination 7 — tractor self-steer 6-axle semi-trailer (1-1-4)  
Schedule 8 Designated combination 8 — tri-drive tractor fixed axle semi-trailer  
Schedule 9 Designated combination 9 — tri-drive tractor self-steer triaxle semi-trailer  
Schedule 10 Designated combination 10 — tri-drive tractor self-steer quad semi-trailer  
Schedule 11 Designated combination 11 — tractor a-train double trailers  
Schedule 12 Designated combination 12 — tractor b-train double trailers  
Schedule 13 Designated combination 13 — tractor c-train double trailers  
Vehicle weight table 1 Allowable gross weight on a vehicle with three axles (kilograms) front axle weight, (kilograms)  
Vehicle weight table 2 Allowable gross weight on a vehicle with four axles (kilograms) front axle weight, (kilograms)  
Vehicle weight table 3 Allowable gross weight on a vehicle with five axles (kilograms) inter-vehicle-unit distance, less than 2.4 metres (or intra-vehicle-unit distance) front axle weight, (kilograms)  
Vehicle weight table 4 Allowable gross weight on a vehicle with five axles (kilograms) inter-vehicle-unit distance, 2.4 metres to less than 2.7 metres (or intra-vehicle-unit distance) front axle weight, (kilograms)  
Vehicle weight table 5 Allowable gross weight on a vehicle with five axles (kilograms) inter-vehicle-unit distance, 2.7 metres to less than 3.0 metres (or intra-vehicle-unit distance) front axle weight, (kilograms)  
Vehicle weight table 6 Allowable gross weight on a vehicle with five axles (kilograms) inter-vehicle-unit distance, 3.0 metres to less than 3.3 metres (or intra-vehicle-unit distance) front axle weight, (kilograms)  
Vehicle weight table 7 Allowable gross weight on a vehicle with five axles (kilograms) inter-vehicle-unit distance, 3.3 metres to less than 3.6 metres (or intra-vehicle-unit distance) front axle weight, (kilograms)  
Vehicle weight table 8 Allowable gross weight on a vehicle with five axles (kilograms) inter-vehicle-unit distance, 3.6 metres or more (or intra-vehicle-unit distance) front axle weight, (kilograms)  
Vehicle weight table 9 Allowable gross weight on a vehicle with six axles (kilograms) inter-vehicle-unit distance, less than 2.1 metres (or intra-vehicle-unit distance) front axle weight, (kilograms)

Vehicle weight table 10	Allowable gross weight on a vehicle with six axles (kilograms) inter-vehicle-unit distance, 2.1 metres to less than 2.4 metres (or intra-vehicle-unit distance) front axle weight, (kilograms)
Vehicle weight table 11	Allowable gross weight on a vehicle with six axles (kilograms) inter-vehicle-unit distance, 2.4 metres to less than 2.7 metres (or intra-vehicle-unit distance) front axle weight, (kilograms)
Vehicle weight table 12	Allowable gross weight on a vehicle with six axles (kilograms) inter-vehicle-unit distance, 2.7 metres to less than 3.0 metres (or intra-vehicle-unit distance) front axle weight, (kilograms)
Vehicle weight table 13	Allowable gross weight on a vehicle with six axles (kilograms) inter-vehicle-unit distance, 3.0 metres to less than 3.3 metres (or intra-vehicle-unit distance) front axle weight, (kilograms)
Vehicle weight table 14	Allowable gross weight on a vehicle with six axles (kilograms) inter-vehicle-unit distance, 3.3 metres to less than 3.6 metres (or intra-vehicle-unit distance) front axle weight, (kilograms)
Vehicle weight table 15	Allowable gross weight on a vehicle with six axles (kilograms) inter-vehicle-unit distance, 3.6 metres or more (or intra-vehicle-unit distance) front axle weight, (kilograms)
Vehicle weight table 16	Allowable gross weight on a vehicle with seven axles (kilograms) inter-vehicle-unit distance, less than 2.1 metres front axle weight, (kilograms)
Vehicle weight table 17	Allowable gross weight on a vehicle with seven axles (kilograms) inter-vehicle-unit distance, 2.1 metres to less than 2.4 metres front axle weight, (kilograms)
Vehicle weight table 18	Allowable gross weight on a vehicle with seven axles (kilograms) inter-vehicle-unit distance, 2.4 metres to less than 2.7 metres front axle weight, (kilograms)
Vehicle weight table 19	Allowable gross weight on a vehicle with seven axles (kilograms) inter-vehicle-unit distance, 2.7 metres to less than 3.0 metres front axle weight, (kilograms)
Vehicle weight table 20	Allowable gross weight on a vehicle with seven axles (kilograms) inter-vehicle-unit distance, 3.0 metres to less than 3.3 metres front axle weight, (kilograms)
Vehicle weight table 21	Allowable gross weight on a vehicle with seven axles (kilograms) inter-vehicle-unit distance, 3.3 metres to less than 3.6 metres front axle weight, (kilograms)
Vehicle weight table 22	Allowable gross weight on a vehicle with seven axles (kilograms) inter-vehicle-unit distance, 3.6 metres or more front axle weight, (kilograms)
Vehicle weight table 23	Allowable gross weight on a vehicle with eight or more axles (kilograms) inter-vehicle-unit distance, less than 2.1 metres front axle weight, (kilograms)
Vehicle weight table 24	Allowable gross weight on a vehicle with eight or more axles (kilograms) inter-vehicle-unit distance, 2.1 metres to less than 2.4 metres front axle weight, (kilograms)
Vehicle weight table 25	Allowable gross weight on a vehicle with eight or more axles (kilograms) inter-vehicle-unit distance, 2.4 metres to less than 2.7 metres front axle weight, (kilograms)
Vehicle weight table 26	Allowable gross weight on a vehicle with eight or more axles (kilograms) inter-vehicle-unit distance, 2.7 metres to less than 3.0 metres front axle weight, (kilograms)
Vehicle weight table 27	Allowable gross weight on a vehicle with eight or more axles (kilograms) inter-vehicle-unit distance, 3.0 metres to less than 3.3 metres front axle weight, (kilograms)
Vehicle weight table 28	Allowable gross weight on a vehicle with eight or more axles (kilograms) inter-vehicle-unit distance, 3.3 metres to less than 3.6 metres front axle weight, (kilograms)
Vehicle weight table 29	Allowable gross weight on a vehicle with eight or more axles (kilograms) inter-vehicle-unit distance, 3.6 metres or more front axle weight, (kilograms)

#### APPLICATION AND INTERPRETATION

##### Application

1. This Regulation sets out dimensional limits for the purposes of section 109 of the Act and weight limits for the purposes of sections 115 to 118 of the Act.

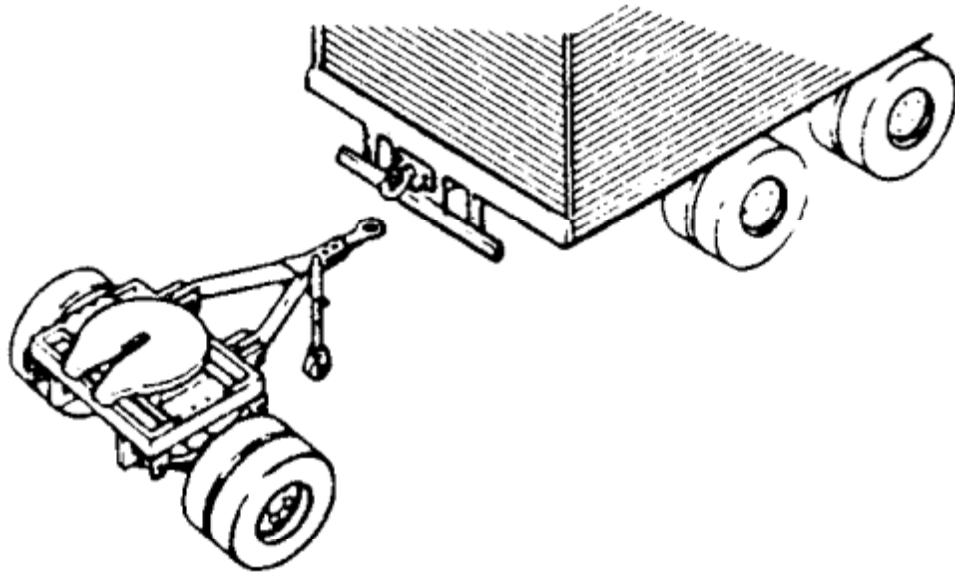
##### Definitions

2. (1) The definitions in sections 108 and 114 of the Act apply to this Regulation.

(2) In this Regulation,

“A-train double” means a vehicle combination composed of a tractor, a semi-trailer and,

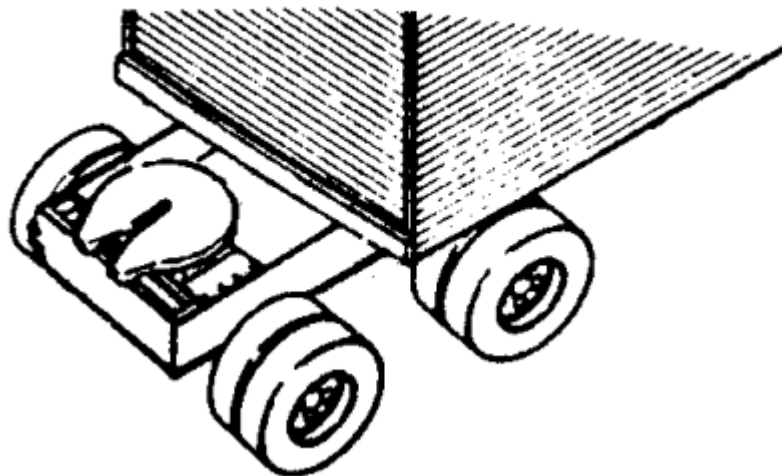
- (a) a trailer converter dolly that is towed from a single hitch, as shown in Figure 1, on the centre line of the semi-trailer and another semi-trailer, or
- (b) a full trailer attached to the semi-trailer as if a trailer converter dolly were used and towed from a single hitch, as shown in Figure 1, on the centre line of the semi-trailer;

**Figure 1: A-train double**

“aggregate vehicle” means a vehicle or vehicle combination that is designed for dumping or spreading sand, gravel, crushed or uncut rock, asphalt, slag or rubble or any mixture of such materials and that is transporting a load consisting mostly of any of these materials;

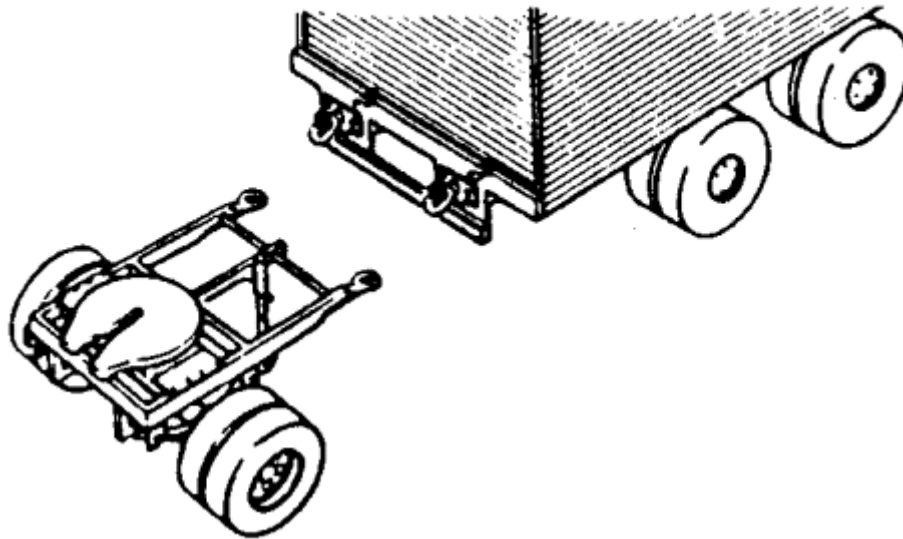
“axle spread” means the longitudinal distance between the centres of the foremost and rearmost axles of an axle unit;

“B-train double” means a vehicle combination composed of a tractor and two semi-trailers, the rearmost of which is attached by a fifth wheel assembly whose lower half is mounted on the rear of the foremost semi-trailer, as shown in Figure 2;

**Figure 2: B-train double**

“base length” means the distance measured between the centres of the first axle of the front axle of a vehicle or vehicle combination and the last axle of a vehicle or vehicle combination;

“C-train double” means a vehicle combination consisting of a tractor and two semi-trailers, the second of which is attached to the first by a trailer converter dolly that has a frame rigid in the horizontal plane and that is towed from two hitches located in a horizontal transverse line on the foremost semi-trailer that preclude any rotation in the horizontal plane about the hitch point, as shown in Figure 3;

**Figure 3: C-train double**

“carbon dioxide tank semi-trailer” means a tank semi-trailer that is used regularly to transport carbon dioxide, was manufactured to Transport Canada specification TC331 or United States Department of Transportation specification MC331 and bears the appropriate specification number on the compliance label or manufacturer’s identification plate affixed to the vehicle;

“cryogenic tank semi-trailer” means a tank semi-trailer that was manufactured to Canadian Gas Association specification CGA341 or Transport Canada specification TC341 and bears the appropriate specification number on the compliance label or manufacturer’s identification plate affixed to the vehicle;

“designated combination”, when followed by a number, means the designated combination identified by the same number in the Table to section 3;

“drawbar” means a towing structure that is connected to the chassis frame of the trailer converter dolly and that includes an eye or equivalent device for coupling to a trailer hitch;

“drive axle” means an axle unit that is connected to the power source of a motor vehicle and that transmits tractive power to the wheels;

“end dump semi-trailer” means a semi-trailer to which is permanently attached a body or box that is hinged and that can be raised to dump from the rear of the semi-trailer;

“fifth wheel assembly” means a plate-type coupling device comprised of a kingpin, locking jaws and plates, the lower half of which is mounted on the rear portion of a vehicle frame or the frame of a trailer converter dolly and the upper half of which is fastened to the underside of the forward portion of a semi-trailer for the purpose of supporting and towing the semi-trailer;

“full trailer” means a trailer designed so that its own weight and any load are carried on its own axles and includes a vehicle combination consisting of a semi-trailer and a trailer converter dolly;

“inter-axle spacing” means the longitudinal distance separating two consecutive axle units within a vehicle or vehicle combination, measured from the centre of the rearmost axle of the foremost axle unit to the centre of the foremost axle of the other axle unit;

“inter-vehicle-unit distance”, for a vehicle combination, means,

- (a) the distance between the centres of the last axle of the motor vehicle or road building machine and the first axle of the towed vehicle, and
- (b) the distance between the centres of the last axle of the first towed vehicle and the first axle of the second towed vehicle,

but in section 24 and Vehicle Weight Tables 3 to 29, it means the lesser of (a) and (b);

“long combination” means a vehicle combination to which one or more of the following applies:

1. The total length, including load, exceeds the 23 metre limit specified in subsection 109 (7) of the Act.
2. The box length of a combination including more than one trailer exceeds the 18.5 metre limit specified in subsection 109 (8) of the Act.
3. The semi-trailer length, excluding any portion of auxiliary equipment or machinery that extends beyond the front or rear of the semi-trailer and that is not designed or used for the transportation of goods, exceeds the 14.65 metre limit specified in subsection 109 (10) of the Act;

“open-top hopper dump semi-trailer” means a semi-trailer to which is permanently attached an open-top body or box with bottom hoppers that can be opened to dump from the bottom of the semi-trailer;

“quadruple axle” means a four axle group in which the axles,

- (a) have their consecutive centres equally spaced,
- (b) have their consecutive centres more than one metre apart,
- (c) do not include a liftable axle or a self-steering axle,
- (d) have the same number of tires at each wheel position, and
- (e) are articulated from an attachment to the vehicle common to the consecutive axles or are designed to automatically equalize the load between the four axles under all conditions of loading;

“self-steering axle” means an assembly of two or more wheels whose centres are in one transverse vertical plane and whose wheels can articulate in response to forces generated between the tires and the road or through mechanisms and linkages that operate independently of the driver;

“single semi-trailer” means a semi-trailer that is the only trailer in a tractor-trailer combination;

“tag-axle tank semi-trailer” means a tank semi-trailer,

- (a) that is not more than 14.65 metres in length,
- (b) that is equipped with a rear single axle and a front tandem axle, whose inter-axle spacing is more than 2.5 metres,
- (c) whose single axle,
  - (i) is a self-steering axle capable of turning 20 degrees in either direction, and
  - (ii) is not a liftable axle, and
- (d) whose axles automatically load equalize;

“tandem axle” means a dual axle as defined in section 114 of the Act that does not include a liftable axle or a self-steering axle and that has the same number of tires at each wheel position;

“tank semi-trailer” means a semi-trailer that is permanently attached to a closed tank having a capacity of 2.3 kilolitres or more;

“tractor” means a commercial motor vehicle designed to draw one or more semi-trailers, or a semi-trailer and a full trailer, to which it is coupled by means of a fifth wheel assembly;

“tridem axle” means a triple axle as defined in section 114 of the Act that does not include a liftable axle or a self-steering axle and that has the same number of tires at each wheel position;

“tri-drive axle” means a drive axle composed of a tridem axle in which each axle of the tridem axle transmits tractive power to its wheels;

“turn centre” means the geometric centre,

- (a) on a semi-trailer consisting only of one axle unit, of the axle unit,
- (b) on a semi-trailer consisting of more than one axle unit, of the axle unit containing more axles,
- (c) on a semi-trailer containing a quadruple axle, of the quadruple axle,
- (d) on a tractor or full trailer, of the rear axle unit;

“vehicle combination” means a combination of vehicles.

(3) For the purposes of this Regulation, where a tire width has been marked on the tire by the manufacturer, the width of the tire shall be deemed to be as marked.

## DESIGNATED COMBINATIONS

**Designated combinations**

3. (1) The Table to this section sets out 13 vehicle combinations that are designated combinations if the vehicle combination meets the configuration description in the correspondingly numbered Schedule, complies with the dimensional limits of that Schedule and also complies with all the relevant preconditions for the designated combination in sections 5 to 14.

(2) A vehicle combination described in subsection (1) is a designated combination even if it does not meet the weight limits in the corresponding Schedule.

TABLE OF DESIGNATED COMBINATIONS

1.	Tractor Fixed Axle Semi-trailer
2.	Tractor Self-steer Triaxle Semi-trailer
3.	Tractor Self-steer Quad Semi-trailer
4.	Tractor Self-steer 5-Axle Semi-trailer (1-3-1)
5.	Tractor Self-steer 5-Axle Semi-trailer (1-1-3)
6.	Tractor Self-steer 6-Axle Semi-trailer (1-4-1)
7.	Tractor Self-steer 6-Axle Semi-trailer (1-1-4)
8.	Tri-drive Tractor Fixed Axle Semi-trailer
9.	Tri-drive Tractor Self-steer Triaxle Semi-trailer
10.	Tri-drive Tractor Self-steer Quad Semi-trailer
11.	Tractor A-train Double Trailers
12.	Tractor B-train Double Trailers
13.	Tractor C-train Double Trailers

**Alternative designated combinations**

4. (1) A vehicle combination that meets every requirement of subsection 3 (1) to be designated combination 2 except that the self-steering axle of the semi-trailer is not deployed shall be deemed to be designated combination 1.

(2) A vehicle combination that meets every requirement of subsection 3 (1) to be designated combination 3 except that the self-steering axle of the semi-trailer is not deployed shall be deemed to be designated combination 1.

(3) A vehicle combination that meets every requirement of subsection 3 (1) to be designated combination 5 except that the front self-steering axle of the semi-trailer is not deployed shall be deemed to be designated combination 3.

(4) A vehicle combination that meets every requirement of subsection 3 (1) to be designated combination 5 except that both of the self-steering axles of the semi-trailer are not deployed shall be deemed to be designated combination 1.

(5) A vehicle combination that meets every requirement of subsection 3 (1) to be designated combination 9 except that the self-steering axle of the semi-trailer is not deployed shall be deemed to be designated combination 8.

(6) A vehicle combination that meets every requirement of subsection 3 (1) to be designated combination 10 except that the self-steering axle of the semi-trailer is not deployed shall be deemed to be designated combination 8.

## PRECONDITIONS FOR VEHICLE COMBINATIONS TO BE DESIGNATED COMBINATIONS

**Liftable axles**

5. (1) A designated combination may have axles in addition to those specified in the corresponding Schedule, but the additional axles must remain in the raised position.

(2) The following rules apply to the controls for lifting and deploying self-steering axles in designated combinations 2, 3, 4, 5, 6, 7, 9 and 10:

1. Subject to paragraphs 3 and 4, the tractor must not be equipped with or have controls, whether remote or manual, that would allow the driver to lift or deploy the self-steering axles of the semi-trailer or to alter the weight on the self-steering axles.
2. The semi-trailer must not be equipped with or have controls that would allow the driver to lift or deploy the self-steering axles of the semi-trailer, except for manual controls or for automatic controls that activate only when the combination is reversing.
3. The tractor may be equipped with or have controls that would allow the driver to lift or deploy the self-steering axles of the semi-trailer or to alter the weight on the self-steering axles if the tractor is drawing a semi-trailer designed to carry raw forest products.
4. The tractor may be equipped with or have manual controls that would allow the driver to lift the forward self-steering axle of the semi-trailer or to alter the weight on the forward self-steering axle, but only if,



- i. the controls do not activate unless the emergency 4-way flashers are activated, and
- ii. the controls contain a device that prevents lifting the axle or altering the axle weight when the combination is travelling at a speed over 60 kilometres per hour.

(3) In a designated combination 12, the tractor must not be equipped with or have any controls that would allow the driver to lift, deploy or alter the weight of the tridem axle of the lead trailer other than manual controls that would allow the driver to alter the weight on the forward axle of the lead trailer's tridem axle, but only if,

- (a) the controls do not activate unless the emergency 4-way flashers are activated; and
- (b) the controls contain a device that prevents altering the axle weight when the combination is travelling at a speed over 60 kilometres per hour.

(4) In subsection (3) and in Schedule 12,

“tridem axle” means a triple axle as defined in section 114 of the Act that does not include a self-steering axle and that has the same number of tires at each wheel position, and includes an axle unit that is equipped with a device for altering the weight transmitted to the highway surface.

#### Rear impact guards

6. (1) The rearmost trailer of any designated combination that is a long combination must be equipped with a rear impact guard meeting the requirements of subsection (2) if,

- (a) the trailer was manufactured after July 14, 1993 and before January 27, 1998;
- (b) the trailer has an axle unit that can slide or is fixed so that the rear of the rearmost tire is more than 0.3 metres in front of the rear of the trailer; and
- (c) the trailer's rear structure is more than 0.56 metres above the ground when the trailer is unladen on a level surface.

(2) A rear impact guard, as shown in Figure 4, must consist of a single horizontal beam that is rigidly attached to the trailer and that,

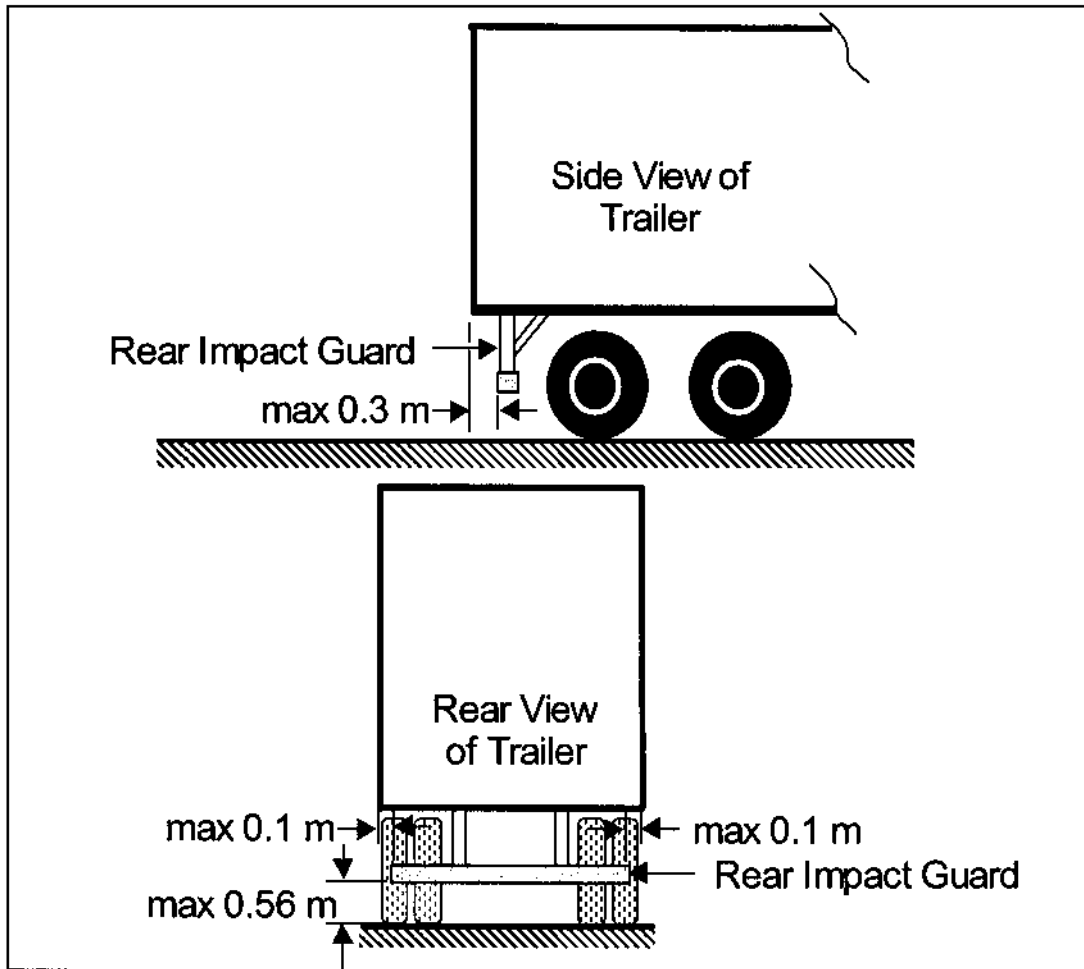
- (a) extends within 0.1 metres of each side of the trailer;
- (b) is not more than 0.3 metres in front of the rear of the trailer and is as close to the rear as possible; and
- (c) is not more than 0.56 metres above the ground when the trailer is unladen on a level surface.

(3) The rearmost trailer of a combination described in subsection (4) must be equipped with a rear impact guard that meets the standards under United States Federal Motor Vehicle Safety Standard 224 that became effective on January 26, 1998, or a corresponding standard, if any, under the *Motor Vehicle Safety Act* (Canada).

(4) Subsection (3) applies to,

- (a) any designated combination that is a long combination whose rearmost trailer was manufactured after January 26, 1998;
- (b) designated combination 2, 3, 4, 5, 6, 7, 9 or 10; or
- (c) any designated combination which includes a trailer that was manufactured after 2005.

Figure 4: Rear Impact Guard Requirement



#### Brakes

7. (1) All wheels on all vehicles and trailer converter dollies manufactured after October 19, 1994 that form part of a designated combination that is a long combination must be fitted with a system of automatic brake adjustment and brake adjustment indicators in accordance with United States Federal Motor Vehicle Safety Standard 121 S5.1.8 or S5.2.2, or with the corresponding requirements in Canadian Motor Vehicle Standard 121 that became effective on May 31, 1996.

(2) Subsection (1) does not apply to wheels on the additional axles described in subsection 5 (1).

(3) The following brake requirements apply to designated combinations 4, 5, 6 and 7:

1. The semi-trailer service brake system must be constructed so that a single leakage failure in any component of the system, except the tubing or fittings in the control line, does not render the brakes on more than three axles inoperative.
2. The semi-trailer must be equipped with a low air pressure warning system constructed so that, in the event the air pressure in any one of the service brake reservoirs falls below 483 kPa or 70 psi, a red LED warning lamp will illuminate. The lamp must be side-facing, located on the outside of the semi-trailer near the front side marker lamp, within the field of view of the tractor's rear view mirror, and must include a bulb check feature.
3. The semi-trailer supply and control gladhands must be equipped with screens that will prevent any particle larger than 0.33 millimetres or 0.013 inches from entering the gladhand beyond a point where it remains visible from the opening. A label indicating that the vehicle is equipped with gladhand screens and stating that the gladhand screens must be inspected regularly and kept clean to prevent brake system malfunction must be placed adjacent to the gladhands.
4. The semi-trailer must be equipped with an antilock brake system that directly or indirectly controls each wheel of the semi-trailer.

5. The semi-trailer must display a clearly visible label with the name and telephone number of the semi-trailer manufacturer and the appropriate brake system circuit diagram number.

#### Tires

8. The tires of a designated combination must be at least 150 millimetres wide.

#### Wheel cut

9. (1) Designated combinations 2, 3, 4, 5, 6, 7, 9 and 10 must comply with the wheel cut requirements of the Table to this section.

- (2) In this section,

“wheel cut” means the number of degrees the wheels of a self-steering axle are capable of turning in either direction from the straight ahead position.

TABLE  
MINIMUM REQUIRED SELF-STEERING AXLE WHEEL CUT

Distance from Turn Centre to Self-steering Axle	Minimum Degrees of Wheel Cut
4.65 metres or less	20°
More than 4.65 metres and less than or equal to 5.85 metres	25°
More than 5.85 metres and less than or equal to 7.10 metres	28°
More than 7.10 metres	30°

#### Self-steering axle locking device

10. (1) In designated combinations 2 and 9, if the axle spread of the tandem axle of the semi-trailer exceeds 1.85 metres, the designated combination must be equipped with an automatic device that locks the self-steering axle in the straight ahead position when the combination is travelling at a speed over 60 kilometres per hour.

(2) Designated combinations 4 and 6 must be equipped with an automatic device that locks the rearmost self-steering axle in the straight ahead position when the combination is travelling at a speed over 60 kilometres per hour.

#### Tri-drive locking device

11. Any differential locks on a tri-drive axle of a tractor in designated combinations 8, 9 and 10 must remain unlocked while the combination is operated on a highway.

#### C-train equipment

12. (1) The foremost semi-trailer of a designated combination 13 must be equipped with a hitch that meets the requirements of section 904 of the *Motor Vehicle Safety Regulations* made under the *Motor Vehicle Safety Act* (Canada).

(2) The trailer converter dolly of a designated combination 13 must be equipped with a drawbar that is not more than two metres long.

(3) The trailer converter dolly of a designated combination 13 must meet the requirements of section 903 of the *Motor Vehicle Safety Regulations* made under the *Motor Vehicle Safety Act* (Canada).

#### Semi-trailer labelling

13. (1) The semi-trailer in designated combinations 2, 3, 4, 5, 6, 7, 9 and 10 must bear its original compliance label.

(2) The semi-trailer's original compliance label or the manufacturer's identification plate on the semi-trailer must also contain the notation "SPIF", signifying that the semi-trailer is safe, productive and infrastructure-friendly and was manufactured to meet the specifications of this Regulation.

(3) If the semi-trailer was not manufactured to meet the specifications of this Regulation for a designated combination 2, 3, 4, 5, 6, 7, 9 or 10, but was converted to meet such specifications, it must bear a label adjacent to the original compliance label,

- containing the notation "SPIF", signifying that the semi-trailer is safe, productive and infrastructure-friendly and was converted to meet the specifications of this Regulation;
- identifying the company, or authorized dealer of a company, under the *Motor Vehicle Safety Act* (Canada) that converted the semi-trailer; and
- indicating the revised gross vehicle and axle weight ratings.

(4) If the semi-trailer was manufactured or converted before 2006, the label required by subsection (3) may bear the notation "Reg 597 (Ont) – 3" or "Reg 597 (Ont) – 4" instead of the notation "SPIF".

**Weight requirements**

**14.** (1) A vehicle in a designated combination must not transmit to the highway a weight exceeding the manufacturer's weight rating for the vehicle.

(2) A vehicle component, including an axle or a tire, in a designated combination must not transmit to the highway a weight exceeding the manufacturer's weight rating for the vehicle component.

(3) Each semi-trailer that forms part of a designated combination must automatically and equally share the load on the axles of the semi-trailer.

(4) A semi-trailer shall be deemed to not be in compliance with subsection (3) if the weight on any self-steering axle is more than 500 kilograms greater or less than the average weight per axle of the tandem, tridem or quadruple axle of the semi-trailer.

(5) A semi-trailer forming part of designated combinations 3, 4, 5, 6, 7 and 10 must be equipped with,

(a) a device that accurately displays the total weight on the trailer axles in kilograms; or

(b) a device and a table or chart, from the combined use of which the total weight on the trailer axles in kilograms may be readily and accurately obtained.

(6) In designated combinations 8, 9 and 10, the front axle weight must be at least 27 per cent of the weight of the tri-drive.

(7) The sum of weights of the converter dolly axle and the second trailer axles of designated combinations 11 and 13 must not exceed the sum of the weights of the tractor drive axles and the lead semi-trailer axles.

(8) If the inter-vehicle-unit distance between the trailers of designated combinations 11 and 13 is less than 3 metres, the sum of the weights of the axles on the lead semi-trailer and the trailer converter dolly axle or forward axle of a full trailer must not exceed,

(a) 17,000 kilograms if the axle unit on the lead semi-trailer is a single; or

(b) 23,000 kilograms if the axle unit on the lead semi-trailer is a tandem.

**RULES APPLICABLE TO DESIGNATED COMBINATIONS****Dimensional limits for long combinations**

**15.** (1) Subject to subsection 109 (12) of the Act, a designated combination that is a long combination shall comply with the dimensional limits in the corresponding Schedule and not with the dimensional limits specified in section 109 of the Act, if the dimensional limits in the Schedule are greater than those in section 109 of the Act.

(2) A long combination that is a designated combination 4, 6 or 7 in every respect except that both self-steering axles are raised shall comply with the dimensional limits in the corresponding Schedule and not with the dimensional limits specified in section 109 of the Act, if the dimensional limits in the Schedule are greater than those in section 109 of the Act and if the gross vehicle weight of the long combination does not exceed the amount permitted under section 118 of the Act and under sections 24 to 31 of this Regulation for a vehicle combination that is not a designated combination.

**Tire weight limits**

**16.** Section 115 of the Act does not apply with respect to the tires of the self-steer axle of designated combinations 3 and 10 if the tires meet the weight limits for tires in the corresponding Schedule.

**Axle unit weight limits**

**17.** The axle unit weight for a designated combination is that specified in the corresponding Schedule instead of the axle unit weight specified or referred to in subsection 116 (1) of the Act.

**Front axle weights — designated combinations**

**18.** The maximum allowable front axle weight in a designated combination is the lowest of the following:

1. The manufacturer's gross axle weight rating for the axle unit.

2. 5,000 kilograms, if the driver does not have with him or her verification in writing as to the manufacturer's gross axle weight rating as required by subsection 116 (4) of the Act or does not produce such verification on demand under subsection 116 (5) of the Act.

3. 7,700 kilograms.

**Axle group weight limits**

**19.** The axle group weight for a quadruple axle in a designated combination 6 or 7 is that specified in the corresponding Schedule instead of the axle group weight for a four axle group referred to in clause 117 (1) (c) of the Act.

**Maximum allowable gross vehicle weight — designated combinations 1-10**

**20.** (1) The gross vehicle weight of designated combinations 1 to 10 shall not exceed the lowest of the following:

1. The amount calculated under clause 118 (1) (a) of the Act.
2. The amount calculated under clause 118 (1) (b) of the Act.
3. The maximum allowable gross weight determined under section 24 of this Regulation.

(2) The front axle weight for the purpose of the calculations in subsection (1) shall be the lesser of the actual axle weight and the maximum allowable front axle weight determined under section 18.

(3) The axle weights, other than the front axle weight, for the purpose of the calculations in paragraphs 1 and 2 of subsection (1) shall be the maximum allowable axle weights set out in the corresponding Schedule.

(4) Despite subsection 14 (4), in calculating maximum gross vehicle weights under paragraphs 1 and 2 of subsection (1), the maximum allowable weight for a self-steering axle shall be the average weight per axle calculated by dividing the maximum allowable weight of the tandem, tridem or quadruple axle of the semi-trailer by the number of axles in the tandem, tridem or quadruple axle.

**Maximum allowable gross vehicle weight — designated combination 11**

**21.** (1) If a designated combination 11 is a long combination or at least one of its trailers is manufactured after 2005, its gross vehicle weight shall not exceed the lowest of the following:

1. The amount calculated under clause 118 (1) (a) of the Act.
2. The maximum allowable gross weight determined under section 24 of this Regulation.
3. 41,900 kilograms, if there are five axles.
4. 49,800 kilograms, if there are six axles.
5. 53,500 kilograms, if there are seven or eight axles.

(2) If a designated combination 11 is not a long combination and both of its trailers are manufactured before 2006, its gross vehicle weight shall not exceed the lesser of the following:

1. The amount calculated under clause 118 (1) (a) of the Act.
2. The maximum allowable gross weight determined under section 24 of this Regulation.

(3) The front axle weight for the purposes of subsection (1) shall be the lowest of the actual front axle weight, the maximum allowable front axle weight determined under section 18 and 5,499 kilograms.

(4) The front axle weight for the purposes of subsection (2) shall be the lesser of the actual front axle weight and the maximum allowable front axle weight determined under section 18.

(5) The axle weights, other than the front axle weight, for the purposes of the calculations in paragraph 1 of subsection (1) and paragraph 1 of subsection (2) shall be the maximum allowable axle weights in Schedule 11.

**Maximum allowable gross vehicle weight — designated combination 12**

**22.** (1) If a designated combination 12 is a long combination or if at least one its trailers is manufactured after 2005, its gross vehicle weight shall not exceed the lesser of the amount calculated under clause 118 (1) (a) of the Act and the following:

1. The maximum allowable gross weight determined under section 24 of this Regulation, if the designated combination has less than seven axles.
2. The maximum allowable gross vehicle weight determined under Table A to this section, if the designated combination has seven axles.
3. The maximum allowable gross vehicle weight determined under Table B to this section, if the designated combination has eight or nine axles.

(2) If a designated combination 12 is not a long combination and both of its trailers are manufactured before 2006, its gross vehicle weight shall not exceed the lesser of the following:

1. The amount calculated under clause 118 (1) (a) of the Act.
2. The maximum allowable gross weight determined under section 24 of this Regulation.

(3) The front axle weight for the purposes of subsections (1) and (2) shall be the lesser of the actual axle weight and the maximum allowable front axle weight determined under section 18.

(4) The axle weights, other than the front axle weight, for the purpose of the calculation under clause 118 (1) (a) of the Act in subsections (1) and (2), shall be the maximum allowable axle weights in Schedule 12.

TABLE A  
ALLOWABLE GROSS WEIGHT ON A B-TRAIN WITH 7 AXLES

Base Length (metres)	Front Axle Weight (kilograms)	
	5,000 or less	5,001 to and including 7,700
Less than 17.00	55,900	56,500
17.00 to less than 17.25	56,300	56,600
17.25 to less than 17.50	56,700	57,000
17.50 to less than 17.75	57,100	57,400
17.75 to less than 18.00	57,500	57,800
18.00 to less than 18.25	57,900	58,200
18.25 to less than 18.50	58,400	58,600
18.50 to less than 18.75	58,800	59,000
18.75 to less than 19.00	59,300	59,500
19.00 to less than 19.25	59,700	59,900
19.25 and over	60,100	60,300

TABLE B  
ALLOWABLE GROSS WEIGHT ON A B-TRAIN WITH 8 OR 9 AXLES

Base Length (metres)	Front Axle Weight (kilograms)	
	5,000 or less	5,001 to and including 7,700
Less than 19.00	60,600	61,000
19.00 to less than 19.25	61,100	61,400
19.25 to less than 19.40	61,500	61,800
19.40 to less than 19.75	61,700	62,500
19.75 to less than 20.00	62,100	62,900
20.00 to less than 20.25	62,300	63,100
20.25 to less than 20.50	62,600	63,300
20.50 to less than 20.75	62,900	63,500
20.75 to less than 21.00	63,100	63,500
21.00 to less than 21.25	63,300	63,500
21.25 and over	63,500	63,500

**Maximum allowable gross vehicle weight — designated combination 13**

**23.** (1) If a designated combination 13 is a long combination or if at least one of its trailers is manufactured after 2005, its gross vehicle weight shall not exceed the lowest of the following:

1. The amount calculated under clause 118 (1) (a) of the Act.
2. The maximum allowable gross weight determined under section 24 of this Regulation.
3. If there are five axles, 41,900 kilograms.
4. If there are six axles, 49,800 kilograms.
5. If there are seven axles, 54,600 kilograms.
6. If there are eight axles, 58,500 kilograms.

(2) If a designated combination 13 is not a long combination and both of its trailers are manufactured before 2006, its gross vehicle weight shall not exceed the lesser of the following:

1. The amount calculated under clause 118 (1) (a) of the Act.
2. The maximum allowable gross weight determined under section 24 of this Regulation.

(3) The front axle weight for the purposes of the calculations in subsection (1) is the lowest of the actual front axle weight, the maximum allowable front axle weight determined under section 18 and 5,499 kilograms.

(4) The front axle weight for the purposes of the calculations in subsection (2) is the lesser of the actual front axle weight and the maximum allowable front axle weight determined under section 18.

(5) The axle weights, other than the front axle weight, for the purposes of the calculations in paragraph 1 of subsection (1) and paragraph 1 of subsection (2) are the maximum allowable weights in Schedule 13.

MAXIMUM ALLOWABLE GROSS VEHICLE WEIGHTS FOR DESIGNATED COMBINATIONS AND OTHER VEHICLES AND VEHICLE COMBINATIONS

**Allowable gross vehicle weights**

**24.** (1) For the purposes of section 118 of the Act, the maximum allowable gross weight for a vehicle or a vehicle combination is as follows:

1. If the vehicle or vehicle combination has three axles, as prescribed in Vehicle Weight Table 1.
2. If the vehicle or vehicle combination has four axles, as prescribed in Vehicle Weight Table 2.
3. If the vehicle or vehicle combination has five axles and an inter-vehicle-unit distance or intra-vehicle-unit distance of less than 2.40 metres, as prescribed in Vehicle Weight Table 3.
4. If the vehicle or vehicle combination has five axles and an inter-vehicle-unit distance or intra-vehicle-unit distance of 2.40 metres or more and less than 2.70 metres, as prescribed in Vehicle Weight Table 4.
5. If the vehicle or vehicle combination has five axles and an inter-vehicle-unit distance or intra-vehicle-unit distance of 2.70 metres or more and less than 3.00 metres, as prescribed in Vehicle Weight Table 5.
6. If the vehicle or vehicle combination has five axles and an inter-vehicle-unit distance or intra-vehicle-unit distance of 3.00 metres or more and less than 3.30 metres, as prescribed in Vehicle Weight Table 6.
7. If the vehicle or vehicle combination has five axles and an inter-vehicle-unit distance or intra-vehicle-unit distance of 3.30 metres or more and less than 3.60 metres, as prescribed in Vehicle Weight Table 7.
8. If the vehicle or vehicle combination has five axles and an inter-vehicle-unit distance or intra-vehicle-unit distance of 3.60 metres or more, as prescribed in Vehicle Weight Table 8.
9. If the vehicle or vehicle combination has six axles and an inter-vehicle-unit distance or intra-vehicle-unit distance of less than 2.10 metres, as prescribed in Vehicle Weight Table 9.
10. If the vehicle or vehicle combination has six axles and an inter-vehicle-unit distance or intra-vehicle-unit distance of 2.10 metres or more and less than 2.40 metres, as prescribed in Vehicle Weight Table 10.
11. If the vehicle or vehicle combination has six axles and an inter-vehicle-unit distance or intra-vehicle-unit distance of 2.40 metres or more and less than 2.70 metres, as prescribed in Vehicle Weight Table 11.
12. If the vehicle or vehicle combination has six axles and an inter-vehicle-unit distance or intra-vehicle-unit distance of 2.70 metres or more and less than 3.00 metres, as prescribed in Vehicle Weight Table 12.
13. If the vehicle or vehicle combination has six axles and an inter-vehicle-unit distance or intra-vehicle-unit distance of 3.00 metres or more and less than 3.30 metres, as prescribed in Vehicle Weight Table 13.
14. If the vehicle or vehicle combination has six axles and an inter-vehicle-unit distance or intra-vehicle-unit distance of 3.30 metres or more and less than 3.60 metres, as prescribed in Vehicle Weight Table 14.
15. If the vehicle or vehicle combination has six axles and an inter-vehicle-unit distance or intra-vehicle-unit distance of 3.60 metres or more, as prescribed in Vehicle Weight Table 15.
16. If the vehicle or vehicle combination has seven axles and an inter-vehicle-unit distance of less than 2.10 metres, as prescribed in Vehicle Weight Table 16.
17. If the vehicle or vehicle combination has seven axles and an inter-vehicle-unit distance of 2.10 metres or more and less than 2.40 metres, as prescribed in Vehicle Weight Table 17.
18. If the vehicle or vehicle combination has seven axles and an inter-vehicle-unit distance of 2.40 metres or more and less than 2.70 metres, as prescribed in Vehicle Weight Table 18.
19. If the vehicle or vehicle combination has seven axles and an inter-vehicle-unit distance of 2.70 metres or more and less than 3.00 metres, as prescribed in Vehicle Weight Table 19.
20. If the vehicle or vehicle combination has seven axles and an inter-vehicle-unit distance of 3.00 metres or more and less than 3.30 metres, as prescribed in Vehicle Weight Table 20.
21. If the vehicle or vehicle combination has seven axles and an inter-vehicle-unit distance of 3.30 metres or more and less than 3.60 metres, as prescribed in Vehicle Weight Table 21.
22. If the vehicle or vehicle combination has seven axles and an inter-vehicle-unit distance of 3.60 metres or more, as prescribed in Vehicle Weight Table 22.

23. If the vehicle or vehicle combination has eight or more axles and an inter-vehicle-unit distance of less than 2.10 metres, as prescribed in Vehicle Weight Table 23.
  24. If the vehicle or vehicle combination has eight or more axles and an inter-vehicle-unit distance of 2.10 metres or more and less than 2.40 metres, as prescribed in Vehicle Weight Table 24.
  25. If the vehicle or vehicle combination has eight or more axles and an inter-vehicle-unit distance of 2.40 metres or more and less than 2.70 metres, as prescribed in Vehicle Weight Table 25.
  26. If the vehicle or vehicle combination has eight or more axles and an inter-vehicle-unit distance of 2.70 metres or more and less than 3.00 metres, as prescribed in Vehicle Weight Table 26.
  27. If the vehicle or vehicle combination has eight or more axles and an inter-vehicle-unit distance of 3.00 metres or more and less than 3.30 metres, as prescribed in Vehicle Weight Table 27.
  28. If the vehicle or vehicle combination has eight or more axles and an inter-vehicle-unit distance of 3.30 metres or more and less than 3.60 metres, as prescribed in Vehicle Weight Table 28.
  29. If the vehicle or vehicle combination has eight or more axles and an inter-vehicle-unit distance of 3.60 metres or more, as prescribed in Vehicle Weight Table 29.
- (2) Despite paragraphs 3 to 8 of subsection (1), the maximum allowable gross vehicle weight for a 5-axle A-train double or C-train double is as prescribed in Vehicle Weight Table 8.
- (3) Despite paragraphs 16 to 22 of subsection (1), the maximum allowable gross vehicle weight for a seven axle vehicle without a towed vehicle is as prescribed in Vehicle Weight Table 16.
- (4) Despite paragraphs 23 to 29 of subsection (1), the maximum allowable gross vehicle weight for an eight or more axle vehicle without a towed vehicle is as prescribed in Vehicle Weight Table 23.
- (5) If the gross weight transmitted to the highway by the rearmost vehicle of a vehicle combination is not at least five per cent of the gross weight of the vehicle combination, the axles of the rearmost vehicle are not included in calculating the base length and the number of axles when determining the maximum allowable gross weight of the combination under subsection (1), but the gross weight of the rearmost vehicle is added to the maximum allowable gross weight of the combination, as determined by the applicable table.
- (6) If the calculation for the maximum allowable gross weight to which subsection (5) applies produces a result greater than 63,500 kilograms, the maximum allowable gross weight is 63,500 kilograms.
- (7) In this section,  
 “intra-vehicle-unit distance”, for a five or six axle vehicle without a towed vehicle, means the greater of,  
 (a) the distance between the centres of the second and third axles from the front of the vehicle, and  
 (b) the distance between the centres of the third and fourth axles from the front of the vehicle;  
 “number of axles” means the total number of axles on a vehicle or vehicle combination that are transmitting weight to the highway.
- (8) In the Vehicle Weight Tables referred to in this section,  
 “front axle weight”, in respect of a vehicle or vehicle combination that is not a designated combination or an aggregate vehicle, means,  
 (a) for a single front axle, the axle unit weight on the front axle or, if that weight is more than the maximum weight permitted for a single axle under section 116 of the Act, the maximum weight permitted for a single axle under section 116 of the Act,  
 (b) for a dual front axle, one-half of the axle unit weight on the dual front axle or, if that weight is more than one-half of the maximum weight permitted for a dual axle under section 116 of the Act, one-half of the maximum weight permitted for a dual axle under section 116 of the Act, and  
 (c) for a triple front axle, one-third of the axle unit weight for the triple front axle or, if that weight is more than one-third of the maximum weight permitted for a triple axle under section 116 of the Act, one-third of the maximum weight permitted for a triple axle under section 116 of the Act.

#### WEIGHT REDUCTIONS — NON-DESIGNATED COMBINATIONS

##### Aggregate vehicles

25. (1) This section does not apply to a designated combination.
- (2) Aggregate vehicles are exempt from clauses 118 (1) (a) and (b) of the Act.



(3) An aggregate vehicle shall not be operated on a Class A Highway if the gross vehicle weight exceeds, in the case of a two axle aggregate vehicle, the result when 1,000 kilograms is subtracted from, or, in the case of an aggregate vehicle of three or more axles, the result when 1,500 kilograms is subtracted from,

- (a) the maximum weight permitted on the front axle under section 116 of the Act plus the sum of the maximum allowable weights for all other axle units of the vehicle or vehicle combination as set out in section 116 of the Act;
- (b) the maximum weight permitted on the front axle under section 116 of the Act plus the sum of the maximum allowable weights for any two axle groups, three axle groups or four axle groups, or any combination of them, as set out in section 117 of the Act, plus the maximum allowable weight for any axle unit or units excluding any axle unit or units that are part of an axle group, as set out in section 116 of the Act; or
- (c) the maximum allowable gross weight prescribed in section 24 of this Regulation.

(4) Where the calculation of front axle weight for an aggregate vehicle powered by a tractor results in a weight over 6,500 kilograms, the front axle weight shall be deemed to be 6,500 kilograms.

(5) In this section,

“front axle weight”, in respect of an aggregate vehicle, means,

- (a) for a single front axle, the maximum weight permitted under section 116 of the Act for a single axle, and
- (b) for a dual front axle, one-half the maximum weight permitted under section 116 of the Act for a dual axle.

#### **Calculation**

**26.** (1) For combinations of vehicles to which one of sections 27 to 34 of this Regulation applies, maximum allowable gross vehicle weights for the purposes of section 118 of the Act shall be determined by subtracting the amounts in section 27, 28, 29, 30, 31, 32, 33 or 34, as applicable, from the lowest of the following amounts:

- 1. The amount calculated under clause 118 (1) (a) of the Act.
- 2. The amount calculated under clause 118 (1) (b) of the Act.
- 3. The maximum allowable gross weight prescribed in section 24 of this Regulation.

(2) For combinations of vehicles to which both section 25 and one of sections 27 to 34 of this Regulation apply, maximum allowable gross vehicle weights for the purposes of section 118 of the Act shall be determined by subtracting the amounts in section 27, 28, 29, 30, 31, 32, 33 or 34, as applicable, from the amount permitted under section 25 of this Regulation.

#### **Dump semi-trailers**

**27.** (1) Until December 31, 2010, 4,500 kilograms shall be subtracted when the vehicle combination includes a single end dump semi-trailer or open-top hopper dump semi-trailer manufactured after 2002 unless the combination is one of designated combinations 1 to 10.

(2) Effective January 1, 2011, 4,500 kilograms shall be subtracted when the vehicle combination includes a single end dump semi-trailer or open-top hopper dump semi-trailer, whenever it was manufactured, unless the combination is one of designated combinations 1 to 10.

(3) Where two or more liftable axles are deployed in a vehicle combination to which subsection (1) or (2) applies, 9,000 kilograms shall be subtracted under that subsection instead of 4,500 kilograms.

#### **Semi-trailer with three or fewer axles**

**28.** (1) This section applies to vehicle combinations that include a single semi-trailer that has three or fewer axles deployed unless it is a designated combination 1, 2, 8 or 9, if the semi-trailer is not,

- (a) an open-top hopper dump semi-trailer;
- (b) an end dump semi-trailer; or
- (c) any type of tank semi-trailer.

(2) From January 1, 2006 to December 31, 2010, 3,000 kilograms shall be subtracted from a combination to which this section applies.

(3) Effective January 1, 2011, 4,500 kilograms shall be subtracted from a combination to which this section applies.

#### **Tank semi-trailer with three or fewer axles**

**29.** (1) This section applies to vehicle combinations that include a single semi-trailer that has three or fewer axles deployed unless it is a designated combination 1, 2, 8 or 9, if the semi-trailer is a tank semi-trailer, other than,

- (a) a carbon dioxide tank semi-trailer;
- (b) a cryogenic tank semi-trailer; or

(c) a tag-axle tank semi-trailer.

(2) From January 1, 2006 to December 31, 2020, 3,000 kilograms shall be subtracted from a combination to which this section applies.

(3) Effective January 1, 2021, 4,500 kilograms shall be subtracted from a combination to which this section applies.

**Specialized tank semi-trailer with three or fewer axles**

**30.** (1) This section applies to vehicle combinations that include a single semi-trailer that has three or fewer axles deployed unless it is a designated combination 1, 2, 8 or 9, if the semi-trailer is,

(a) a carbon dioxide tank semi-trailer;

(b) a cryogenic tank semi-trailer; or

(c) a tag-axle tank semi-trailer.

(2) Effective January 1, 2021, 4,500 kilograms shall be subtracted from a combination to which this section applies.

**Semi-trailer with four or more axles**

**31.** (1) This section applies to vehicle combinations that include a single semi-trailer that has four or more deployed axles unless it is a designated combination 3, 4, 5, 6, 7 or 10, if the semi-trailer is not,

(a) an end dump semi-trailer; or

(b) an open-top hopper dump semi-trailer.

(2) From January 1, 2006 to December 31, 2015, 4,500 kilograms shall be subtracted if the semi-trailer is manufactured after 2005.

(3) Effective January 1, 2016, 4,500 kilograms shall be subtracted, whenever the semi-trailer was manufactured.

(4) Where two or more liftable axles are deployed in a vehicle combination to which this section applies, 9,000 kilograms shall be subtracted under subsection (2) or (3) instead of 4,500 kilograms.

**A-trains and C-trains**

**32.** (1) From January 1, 2006 to December 31, 2015, 9,000 kilograms shall be subtracted when the vehicle combination is an A-Train double or C-Train double that is not a designated combination 11 or 13, if either trailer is manufactured after 2005.

(2) Effective January 1, 2016, 9,000 kilograms shall be subtracted when the vehicle combination is an A-train double or C-train double that is not a designated combination 11 or 13, whenever the trailers were manufactured.

**B-trains**

**33.** (1) From January 1, 2006 to December 31, 2015, 4,500 kilograms shall be subtracted when the vehicle combination is a B-train double that is not a designated combination 12 if either semi-trailer is manufactured after 2005.

(2) Effective January 1, 2016, 4,500 kilograms shall be subtracted when the vehicle combination is a B-train double if the combination is not a designated combination 12, whenever the trailers were manufactured.

(3) Where two or more liftable axles are deployed on a vehicle combination to which subsection (1) or (2) applies, 9,000 kilograms shall be subtracted under the applicable subsection instead of 4,500 kilograms.

**Permits**

**34.** (1) The Registrar may issue a permit under clause 110.1 (1) (b) of the Act,

(a) allowing an end-dump semi-trailer or open-top hopper dump semi-trailer manufactured before January 1, 2003 that would otherwise be subject to subsection 27 (2) or (3) of this Regulation to operate after January 1, 2011 without complying with those subsections;

(b) allowing a single semi-trailer with four or more deployed axles manufactured before January 1, 2006 that would otherwise be subject to subsection 31 (3) or (4) of this Regulation to operate after January 1, 2016 without complying with that subsection;

(c) allowing a combination that is an A-train double, B-train double or C-train double that includes two trailers manufactured before 2006 that would otherwise be subject to subsection 32 (2) or 33 (2) or (3) of this Regulation to operate after January 1, 2016 without complying with those subsections.

(2) A permit described in clause (1) (a) may be issued for the purpose of allowing the continued use of a semi-trailer that was manufactured before 2003, but such permit shall be limited to the normal operating life of the semi-trailer and so may only allow be valid,

(a) in the case of an end dump semi-trailer, for 15 years after the year of its manufacture;

(b) in the case of an open-top hopper dump semi-trailer, for 20 years after the year of its manufacture.

(3) A permit described in clause (1) (b) may be issued for the purpose of allowing the continued use of a semi-trailer that was manufactured before 2006, but such permit shall be limited to the normal operating life of the semi-trailer and so may only be valid,

(a) in the case of a semi-trailer, other than a tank semi-trailer, for 15 years after the year of its manufacture;

(b) in the case of a tank semi-trailer, for 20 years after the year of its manufacture.

(4) A permit described in clause (1) (c) may be issued for the purpose of allowing the continued use of a semi-trailer that was manufactured before 2006 in a combination consisting of an A-train double, B-train double or C-train double, but such permit shall be limited to the normal operating life of the semi-trailer and so may only be valid,

(a) in the case of a semi-trailer, other than a tank semi-trailer, for 15 years after the year of its manufacture;

(b) in the case of a tank semi-trailer, for 20 years after the year of its manufacture.

#### MISCELLANEOUS

##### Tractor tandem axle weight increases

**35.** (1) Tandem axles with an axle spread of at least 1.2 metres and less than 1.6 metres are prescribed axle units for the purposes of section 116 of the Act when they form part of a three axle tractor that has both a front single axle equipped with single tires and a rear tandem axle, and that has no other axles deployed.

(2) Instead of the maximum allowable axle unit weights specified in Table 1 of Part VIII of the Act, the prescribed weight for the axle units prescribed in subsection (1) is 18,000 kilograms.

##### Buses — dimensions

**36.** (1) A bus, as shown in Figure 5 and commonly known as an intercity motor coach, is exempt from any provision in section 109 of the Act specifying a lesser dimension than that specified in this section if the bus is equipped with motive power mounted to the rear of the front axle, air-ride or torsion-bar suspension, reclining seats and a baggage area that is separated from the passenger cabin.

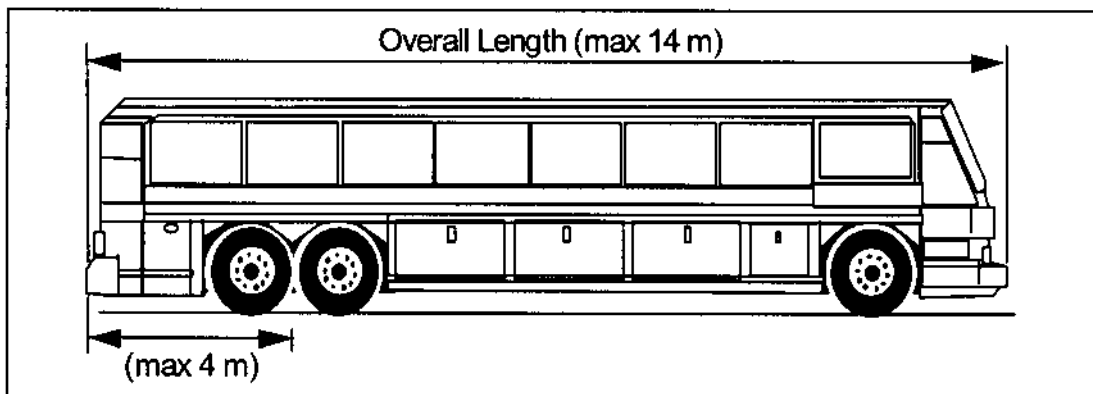
(2) The total length of the bus, including bumpers, shall not exceed 14 metres.

(3) The bus shall have three axles and any tandem axle or two axle group shall have an axle spread of 1.2 to 1.85 metres.

(4) The longitudinal distance between the geometric centre of a dual axle or a two axle group and the rear of the bus, including bumpers, shall not exceed four metres.

(5) Any two axle group shall distribute the load it carries between the axles in a ratio corresponding to the number of tires on each axle.

Figure 5: Intercity Motor Coach



## SCHEDULES OF DESIGNATED COMBINATIONS

**Interpretation for Schedules**

37. (1) The following interpretive rules apply to Schedules 1 to 13:

1. The column heading "Ref" means points of reference in the diagram at the top of the Schedule and the entries in that column are to the dimensions identified in the diagram.
2. A reference to an axle unit in a Configuration Description is to a deployed axle unit. If an axle unit is not referred to in a Configuration Description, the designated combination does not have that axle unit unless it is an additional axle described in subsection 5 (1).
3. Where a tire weight limit is expressed as weight per millimetre, the reference is to a millimetre of tire width.
4. A vehicle that is required to comply with subsection 109 (2) of the Act and which does comply with that subsection shall be deemed to be in compliance with the width limits in Schedules 1 to 13.
5. Maximum width shall be determined in accordance with subsections 109 (1), (3) and (5) of the Act.
6. Maximum semi-trailer length shall be determined in accordance with subsection 109 (10) and (10.2) of the Act.
7. A reference to a table in "HTA, Part VIII" means that the appropriate weight is that set out in the specified Table in Part VIII of the Act.
8. "Not controlled" means that no measurement is prescribed.
9. "Overall" refers to the total combination.
10. The prescribed weight of any axle unit with single tires is the sum of its individual maximum axle weights as specified in the Schedule under Individual Axle with Single Tires when the sum of those weights is less than the weight prescribed elsewhere in the Weight Limit Chart for the axle unit.

(2) In Schedules 1 to 13,

"bed length" means the external measurement of a trailer from the front of its cargo carrying space to the rear of its cargo carrying space, but excluding any portion of auxiliary equipment or machinery that extends beyond the front of the trailer and that is not designed for the transportation of goods;

"drawbar length" means the longitudinal distance from the centre of the hole in the fifth wheel of a converter dolly to the centre of its eye or equivalent device;

"effective rear overhang" means the longitudinal distance from the turn centre of the trailer to its rearmost point, including any load;

"hitch offset" means the longitudinal distance from the turn centre of the foremost semi-trailer to the articulation point of the hitch used to tow the rearmost trailer;

"kg" means kilograms;

"m" means metres;

"max" means maximum;

"min" means minimum;

"quadruple spread" means the longitudinal distance between the centres of the foremost and rearmost axles of the quadruple axle;

"self-steer" means self-steering axle;

"single" means single axle;

"swing radius" means the greatest horizontal distance from the vertical axis through the centre of the kingpin to any point on the semi-trailer ahead of the kingpin, including load and any extension to the length caused by auxiliary equipment or machinery;

"tandem" means tandem axle;

"track width" means the width of an axle across the outside faces of the tires measured at any point above the lowest point of the rim;

"tridem" means tridem axle;

"tri-drive" means tri-drive axle;

“wheelbase” means the longitudinal distance,

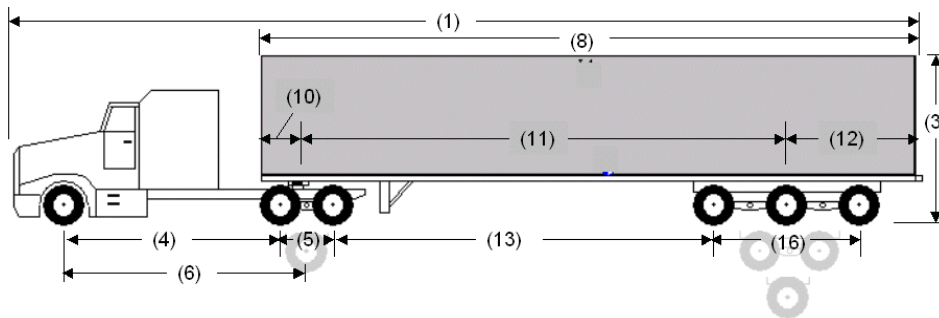
- (a) from the centre of the kingpin to the turn centre in the case of a semi-trailer,
- (b) from the centre of the front axle to the turn centre in the case of a tractor,
- (c) from the centre of articulation of the turntable to the turn centre in the case of a full trailer.

**REVOCATION**

**Revocation**

**38. Regulation 597 of the Revised Regulations of Ontario, 1990 and Ontario Regulation 32/94 are revoked.**

**SCHEDULE 1  
DESIGNATED COMBINATION 1 — TRACTOR FIXED AXLE SEMI-TRAILER**



**Configuration Description**

Designated Combination 1 is composed of a tractor and a single semi-trailer. The front axle of the tractor is a single axle with single tires. The drive axle of the tractor is either a single or tandem axle. The semi-trailer has one axle unit that is either a single, tandem or tridem axle.

**Qualifying Preconditions**

Weight, see s. 14

Equipment and components, see ss. 5 to 8

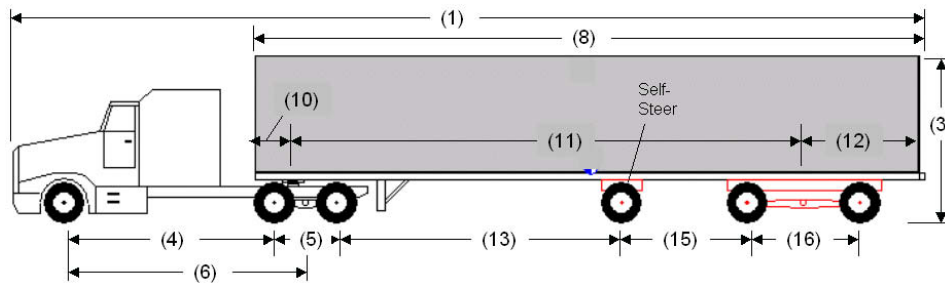
**DIMENSIONAL LIMIT CHART**

	Ref	Feature	Dimensional Limit
Overall	(1)	Overall Length	Max. 23.0m
	(2)	Width	Max. 2.6m
	(3)	Height	Max. 4.15m
Tractor	(4)	Inter-axle Spacing	Min. 3.0m
	(5)	Tandem Axle Spread	1.2 to 1.85m
	(6)	Wheelbase	Max. 6.2m if tractor built in or after 2006
Semi-Trailer	(6)	Wheelbase — (long combination)	Max. 6.2m
	(8)	Length	Max. 14.65m
	(8)	Length (long combination)	Max. 16.2m
	(9)	End-Dump Semi-Trailer Bed Length	Max. 14.65m
	(10)	Swing Radius	Max. 2.0m
	(11)	Wheelbase	6.25 to 12.5m
	(12)	Effective Rear Overhang	Max. 35% of wheelbase
	(13)	Inter-vehicle-unit Distance	Min. 3.0m Min. 5.0m Min. 5.5m
	(16)	Tandem Spread	1.2 to 3.1m
	(16)	Tridem Spread	2.4 to 3.7m
	(19)	Track Width	2.5 to 2.6m

WEIGHT LIMIT CHART

	Feature	Weight Limit		
Axle Weights	Front Axle	Max. 7,700 kg (see s. 18)		
	Single Axle (dual tires)	Max. 10,000 kg		
	Tandem Axle (by axle spread)	1.2 < 1.6m	Max. 18,000 kg	
		1.6 < 1.7m	Max. 18,300 kg	
		1.7 < 1.8m	Max. 18,700 kg	
1.8m to 3.1m		Max. 19,100 kg		
Tridem Axle (by axle spread)	2.4 < 2.8m	Effective January 1, 2006: Max. 21,300 kg	Prior to 2006: Max. 21,300 kg	
	2.8 < 2.9m	Max. 21,700 kg	Max. 21,700 kg	
	2.9 < 3.0m	Max. 22,000 kg	Max. 22,000 kg	
	3.0 < 3.6m	Max. 24,000 kg	HTA, Part VIII, Table 2	
	3.6 to 3.7m	Max. 26,000 kg	Max. 25,500 kg	
Individual Axle with Single Tires (long combinations and combinations where semi-trailer is built after 2005) by axle's tire width	Less than 350 mm	Max. 6000 kg		
	350 < 375 mm	Max. 7000 kg		
	375 < 400 mm	Max. 7500 kg		
	400 mm or more	Max. 8000 kg		
Maximum Allowable Gross Vehicle Weight		see ss. 20 and 24		

SCHEDULE 2  
DESIGNATED COMBINATION 2 — TRACTOR SELF-STEER TRIAXLE SEMI-TRAILER



**Configuration Description**

Designated Combination 2 is composed of a tractor and a single semi-trailer. The front axle of the tractor is a single axle with single tires. The drive axle of the tractor is a tandem axle. The semi-trailer has two axle units: a single self-steer axle (in front) and a tandem axle (in the rear)

**Qualifying Preconditions**

Weight, see s. 14

Equipment and components, see ss. 5 to 10

Labelling, see s. 13

**Alternatives**

Designated combination 1 (see s. 4)

DIMENSIONAL LIMIT CHART

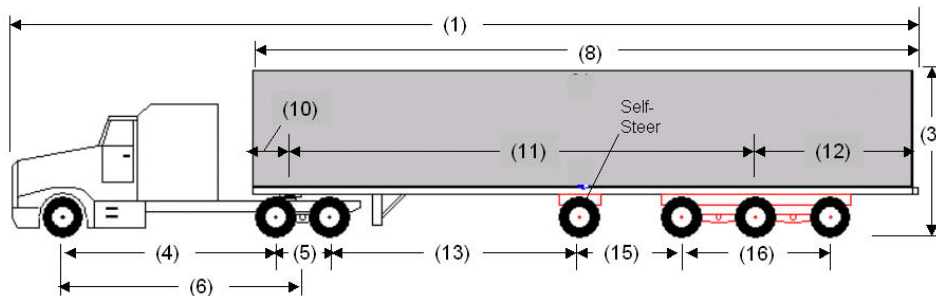
	Ref	Feature	Dimensional Limit
Overall	(1)	Overall Length	Max. 23.0m
	(2)	Width	Max. 2.6m
	(3)	Height	Max. 4.15m

	Ref	Feature	Dimensional Limit
Tractor	(4)	Inter-axle Spacing	Min. 3.0 m
	(5)	Tandem Axle Spread	1.2 to 1.85m
	(6)	Wheelbase	Max. 6.2m if tractor built in or after 2006
	(6)	Wheelbase — (long combination)	Max. 6.2m
Semi-Trailer	(8)	Length	Max. 14.65m
	(8)	Length (long combination)	Max. 16.2m
	(9)	End-Dump Semi-Trailer Bed Length	Max. 14.65m
	(10)	Swing Radius	Max. 2.0m
	(11)	Wheelbase	6.25 to 12.5m
	(12)	Effective Rear Overhang	Max. 35% of wheelbase
	(13)	Inter-vehicle-unit Distance	Min. 4.0m if trailer built in or after 2006
	(15)	Inter-axle Spacing	> 2.5 to 3.0m
	(16)	Tandem Spread	1.2 to 2.8m
(19)	Track Width — tandem	2.5 to 2.6m	

WEIGHT LIMIT CHART

	Feature	Weight Limit
Axle Weights	Front Axle	Max. 7,700 kg (see s. 18)
	Tandem Axle (by axle spread)	
	1.2 < 1.6m	Max. 18,000 kg
	1.6 < 1.7m	Max. 18,300 kg
	1.7 < 1.8m	Max. 18,700 kg
1.8m to 2.8m	Max. 19,100 kg	
Individual Axle with Single Tires (long combinations and combinations where semi-trailer is built after 2005) by axle's tire width	Less than 350 mm	Max. 6000 kg
	350 < 375 mm	Max. 7000 kg
	375 < 400 mm	Max. 7500 kg
	400 mm or more	Max. 8000 kg
Maximum Allowable Gross Vehicle Weight		see ss. 20 and 24

SCHEDULE 3  
DESIGNATED COMBINATION 3 — TRACTOR SELF-STEER QUAD SEMI-TRAILER



**Configuration Description**

Designated Combination 3 is composed of a tractor and a single semi-trailer. The front axle of the tractor is a single axle with single tires. The drive axle of the tractor is a tandem axle. The semi-trailer has two axle units: a single self-steer axle (in front) and a tridem axle (in the rear)

**Qualifying Preconditions**

Weight, see s. 14

Equipment and components, see ss. 5 to 9

Labelling, see s. 13

**Alternatives**

Designated combination 1 (see s. 4)

## DIMENSIONAL LIMIT CHART

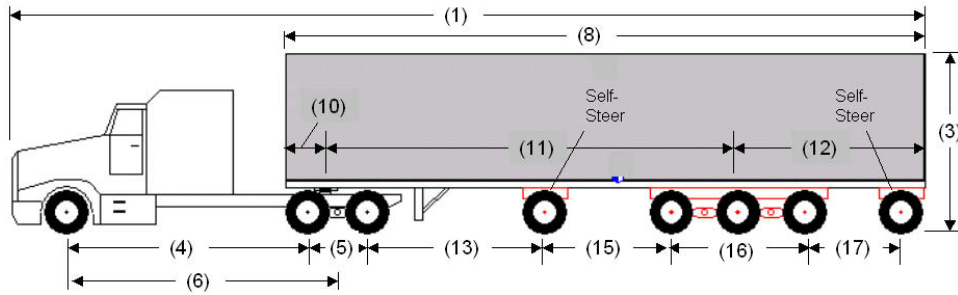
	Ref	Feature	Dimensional Limit
Overall	(1)	Overall Length	Max. 23.0m
	(2)	Width	Max. 2.6m
	(3)	Height	Max. 4.15m
Tractor	(4)	Inter-axle Spacing	Min. 3.0 m
	(5)	Tandem Axle Spread	1.2 to 1.85m
	(6)	Wheelbase	Max. 6.2m if tractor built in or after 2006
	(6)	Wheelbase — (long combination)	Max. 6.2m
Semi-Trailer	(8)	Length	Max. 14.65m
	(8)	Length (long combination)	Max. 16.2m
	(9)	End-Dump Semi-Trailer Bed Length	Max. 14.65m
	(10)	Swing Radius	Max. 2.0m
	(11)	Wheelbase	6.25 to 12.5m
	(12)	Effective Rear Overhang	Max. 35% of wheelbase
	(13)	Inter-vehicle-unit Distance – if tridem spread is 3.0 < 3.6m – if tridem spread is 3.6 to 3.7m	Min. 6.0m Min. 5.5m
	(15)	Inter-axle Spacing	> 2.5 to 3.0m
	(16)	Tridem Spread	3.0 to 3.7m
(19)	Track Width — tridem	2.5 to 2.6m	

## WEIGHT LIMIT CHART

	Feature	Weight Limit
Tire Weights	Self-steering axle (tire width) 365 < 385 mm 385 mm or more	Max. 4,000 kg per tire Max. 4,250 kg per tire
Axle Weights	Front Axle	Max. 7,700 kg (see s. 18)
	Tandem Axle (by axle spread) 1.2 < 1.6m 1.6 < 1.7m 1.7 < 1.8m 1.8m to 1.85m	Max. 18,000 kg Max. 18,300 kg Max. 18,700 kg Max. 19,100 kg
	Tridem Axle (by axle spread) 3.0 < 3.6m 3.6 to 3.7m	24,000 kg 25,500 kg
	Individual Axle with Single Tires (long combinations and combinations where semi-trailer is built after 2005) by axle's tire width Less than 350 mm 350 < 375 mm 375 < 400 mm 400 mm or more	Max. 6000 kg Max. 7000 kg Max. 7500 kg Max. 8000 kg
Maximum Allowable Gross Vehicle Weight		see ss. 20 and 24



SCHEDULE 4  
DESIGNATED COMBINATION 4 — TRACTOR SELF-STEER 5-AXLE SEMI-TRAILER (1-3-1)



**Configuration Description**

Designated Combination 4 is composed of a tractor and a single semi-trailer. The front axle of the tractor is a single axle with single tires. The drive axle of the tractor is a tandem axle. The semi-trailer has three axle units: a single self-steer axle (in front), a tridem axle (in the middle), and a single self-steer axle (in the rear).

**Qualifying Preconditions**

Weight, see s. 14

Equipment and components, see ss. 5 to 10

Labelling, see s. 13

**Alternatives**

None

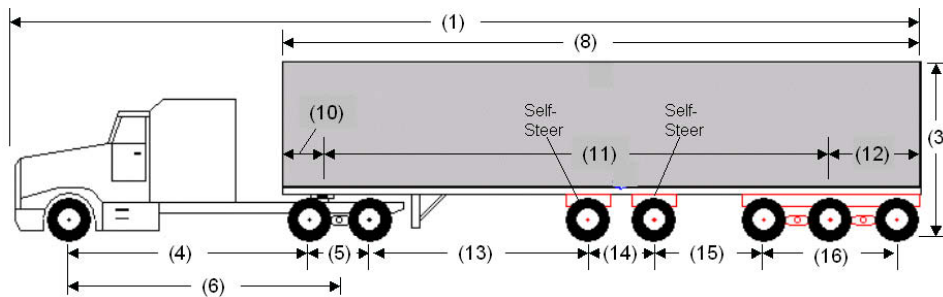
DIMENSIONAL LIMIT CHART

	Ref.	Feature	Dimensional Limit
Overall	(1)	Overall Length	Max. 23.0m
	(2)	Width	Max. 2.6m
	(3)	Height	Max. 4.15m
Tractor	(4)	Inter-axle Spacing	Min. 3.0 m
	(5)	Tandem Axle Spread	1.3 to 1.85m
	(6)	Wheelbase	Max. 6.2m if tractor built in or after 2006
	(6)	Wheelbase — (long combination)	Max. 6.2m
Semi-Trailer	(8)	Length	Max. 14.65m
	(8)	Length (long combination)	Max. 16.2m
	(9)	End-Dump Semi-Trailer Bed Length	Max. 14.65m
	(10)	Swing Radius	Max. 2.0m
	(11)	Wheelbase	Min. 9.5m
	(12)	Effective Rear Overhang	Max. Lesser of 53% of wheelbase or 5.1m
	(13)	Inter-vehicle-unit Distance	Min. 3.0m
	(15)	Inter-axle Spacing	3.0 to 4.0m
	(16)	Tridem Spread	3.0 to 3.1m
	(17)	Inter-axle Spacing	2.1 to 2.8m
	(19)	Track Width — tridem axle	2.5 to 2.6m

WEIGHT LIMIT CHART

	Feature	Weight Limit	
Axle Weights	Front Axle	Max. 7,700 kg (see s. 18)	
	Tandem Axle (by axle spread)	1.3 < 1.6m	Max. 18,000 kg
		1.6 < 1.7m	Max. 18,300 kg
		1.7 < 1.8m	Max. 18,700 kg
		1.8m to 1.85m	Max. 19,100 kg
	Tridem Axle	Max. 22,500 kg	
Individual Axle with Single Tires (long combinations and combinations where semi-trailer is built after 2005) by axle's tire width	Less than 350 mm	Max. 6000 kg	
	350 < 375 mm	Max. 7000 kg	
	375 < 400 mm	Max. 7500 kg	
	400 mm or more	Max. 8000 kg	
Maximum Allowable Gross Vehicle Weight		see ss. 20 and 24	

SCHEDULE 5  
DESIGNATED COMBINATION 5 — TRACTOR SELF-STEER 5-AXLE SEMI-TRAILER (1-1-3)



**Configuration Description**

Designated Combination 5 is composed of a tractor and a single semi-trailer. The front axle of the tractor is a single axle with single tires. The drive axle of the tractor is a tandem axle. The semi-trailer has three axle units: two single self-steer axles (in front) and a tridem axle (in the rear).

**Qualifying Preconditions**

Weight, see s. 14

Equipment and components, see ss. 5 to 9

Labelling, see s. 13

**Alternatives**

Designated combination 1 or 3 (see s. 4)

DIMENSIONAL LIMIT CHART

	Ref.	Feature	Dimensional Limit
Overall	(1)	Overall Length	Max. 23.0m
	(2)	Width	Max. 2.6m
	(3)	Height	Max. 4.15m
Tractor	(4)	Inter-axle Spacing	Min. 3.0 m
	(5)	Tandem Axle Spread	1.3 to 1.85m
	(6)	Wheelbase	Max. 6.2m if tractor built in or after 2006
	(6)	Wheelbase — (long combination)	Max. 6.2m

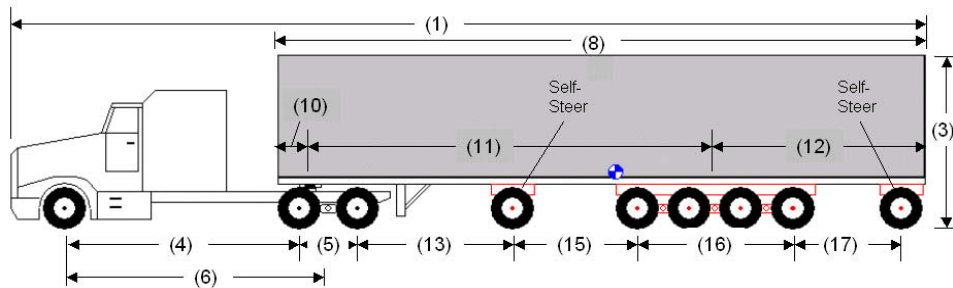
	Ref.	Feature	Dimensional Limit
Semi-Trailer	(8)	Length	Max. 14.65m
	(8)	Length (long combination)	Max. 16.2m
	(9)	End-Dump Semi-Trailer Bed Length	Max. 14.65m
	(10)	Swing Radius	Max. 2.0m
	(11)	Wheelbase	11.5 to 12.5m
	(12)	Effective Rear Overhang	Max. 35% of wheelbase
	(13)	Inter-vehicle-unit Distance	Min. 3.2m
	(14)	Inter-axle Spacing	1.5 to 2.8m
		Dimension (13) + (14)	Min. 6.0m
	(15)	Inter-axle Spacing	>2.5 to 2.8m
(16)	Tridem Spread	3.0 to 3.1m	
(19)	Track Width — tridem axle	2.5 to 2.6m	

WEIGHT LIMIT CHART

	Feature	Weight Limit
Axle Weights	Front Axle	Max. 7,700 kg (see s. 18)
	Tandem Axle (by axle spread)	
	1.3 < 1.6m	Max. 18,000 kg
	1.6 < 1.7m	Max. 18,300 kg
	1.7 < 1.8m	Max. 18,700 kg
	1.8m to 1.85m	Max. 19,100 kg
	Tridem Axle	Max. 22,500 kg
	Individual Axle with Single Tires (long combinations and combinations where semi-trailer is built after 2005) by axle's tire width	
	Less than 350 mm	Max. 6000 kg
	350 < 375 mm	Max. 7000 kg
	375 < 400 mm	Max. 7500 kg
	400 mm or more	Max. 8000 kg
Maximum Allowable Gross Vehicle Weight		see ss. 20 and 24

SCHEDULE 6

DESIGNATED COMBINATION 6 — TRACTOR SELF-STEER 6-AXLE SEMI-TRAILER (1-4-1)



**Configuration Description**

Designated Combination 6 is composed of a tractor and a single semi-trailer. The front axle of the tractor is a single axle with single tires. The drive axle of the tractor is a tandem axle. The semi-trailer has two axle units and one axle group. A single steer axle is in front, a quadruple axle is in the middle and a single self-steer axle is in the rear.

**Qualifying Preconditions**

Weight, see s. 14

Equipment and components, see ss. 5 to 10

Labelling, see s. 13

**Alternatives**

None

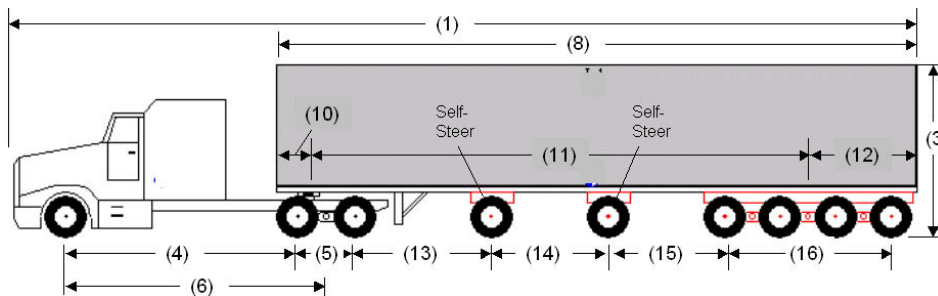
DIMENSIONAL LIMIT CHART

	Ref.	Feature	Dimensional Limit
Overall	(1)	Overall Length	Max. 23.0m
	(2)	Width	Max. 2.6m
	(3)	Height	Max. 4.15m
Tractor	(4)	Inter-axle Spacing	Min. 3.0 m
	(5)	Tandem Axle Spread	1.3 to 1.85m
	(6)	Wheelbase	Max. 6.2m if tractor built in or after 2006
	(6)	Wheelbase — (long combination)	Max. 6.2m
Semi-Trailer	(8)	Length	Max. 14.65m
	(8)	Length (long combination)	Max. 16.2m
	(9)	End-Dump Semi-Trailer Bed Length	Max. 14.65m
	(10)	Swing Radius	Max. 2.0m
	(11)	Wheelbase	Min. 9.5m
	(12)	Effective Rear Overhang	Max. Lesser of 53% of wheelbase or 5.1m
	(13)	Inter-vehicle-unit Distance	Min. 3.8m
	(15)	Inter-axle Spacing	2.9 to 3.0m
	(16)	Quadruple Spread	3.9 to 4.0m
	(17)	Inter-axle Spacing	2.3 to 2.4m
	(19)	Track Width — quadruple axle	2.5 to 2.6m

WEIGHT LIMIT CHART

	Feature	Weight Limit
Axle Weights	Front Axle	Max. 7,700 kg (see s. 18)
	Tandem Axle (by axle spread)	
	1.3 < 1.6m	Max. 18,000 kg
	1.6 < 1.7m	Max. 18,300 kg
	1.7 < 1.8m	Max. 18,700 kg
	1.8m to 1.85m	Max. 19,100 kg
	Quadruple Axle	Max. 26,000 kg
	Individual Axle with Single Tires (long combinations and combinations where semi-trailer is built after 2005) by axle's tire width	
	Less than 350 mm	Max. 6000 kg
	350 < 375 mm	Max. 7000 kg
	375 < 400 mm	Max. 7500 kg
	400 mm or more	Max. 8000 kg
Maximum Allowable Gross Vehicle Weight		see ss. 20 and 24

SCHEDULE 7  
DESIGNATED COMBINATION 7 — TRACTOR SELF-STEER 6-AXLE SEMI-TRAILER (1-1-4)



**Configuration Description**

Designated Combination 7 is composed of a tractor and a single semi-trailer. The front axle of the tractor is a single axle with single tires. The drive axle of the tractor is a tandem axle. The semi-trailer has two axle units and one axle group. A single self-steer axle is in front, another single self-steer axle is in the middle and a quadruple axle is in the rear.

**Qualifying Preconditions**

Weight, see s. 14

Equipment and components, see ss. 5 to 9

Labelling, see s. 13

**Alternatives**

None

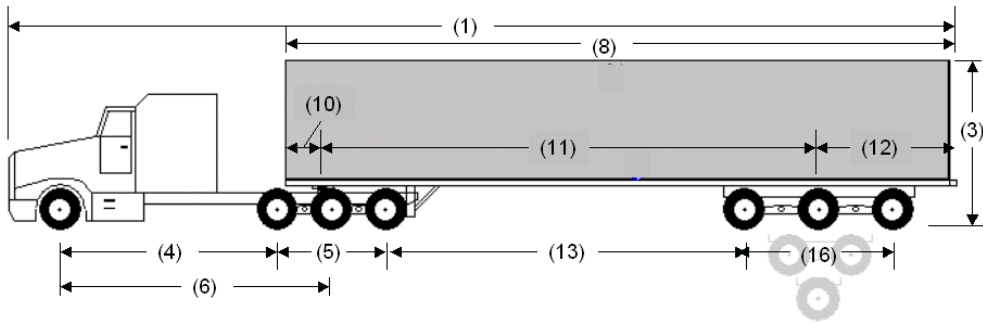
**DIMENSIONAL LIMIT CHART**

	Ref	Feature	Dimensional Limit
Overall	(1)	Overall Length	Max. 23.0m
	(2)	Width	Max. 2.6m
	(3)	Height	Max. 4.15m
Tractor	(4)	Inter-axle Spacing	Min. 3.0 m
	(5)	Tandem Axle Spread	1.3 to 1.85m
	(6)	Wheelbase	Max. 6.2m if tractor built in or after 2006
	(6)	Wheelbase — (long combination)	Max. 6.2m
Semi-Trailer	(8)	Length	Max. 14.65m
	(8)	Length (long combination)	Max. 16.2m
	(9)	End-Dump Semi-Trailer Bed Length	Max. 14.65m
	(10)	Swing Radius	Max. 2.0m
	(11)	Wheelbase	11.5 to 12.5m
	(12)	Effective Rear Overhang	Max. 35% of wheelbase
	(13)	Inter-vehicle-unit Distance	Min. 3.0m
	(14)	Inter-axle Spacing	1.5 to 2.8m
	(15)	Inter-axle Spacing	2.7 to 2.8m
(16)	Quadruple Spread	3.9 to 4.0m	
	(19)	Track Width — quadruple axle	2.5 to 2.6m

**WEIGHT LIMIT CHART**

	Feature	Weight Limit
Axle Weights	Front Axle	Max. 7,700 kg (see s. 18)
	Tandem Axle (by axle spread)	
	1.3 < 1.6m	Max. 18,000 kg
	1.6 < 1.7m	Max. 18,300 kg
	1.7 < 1.8m	Max. 18,700 kg
	1.8m to 1.85m	Max. 19,100 kg
	Quadruple Axle	Max. 26,000 kg
Individual Axle with Single Tires (long combinations and combinations where semi-trailer is built after 2005) by axle's tire width	Less than 350 mm	Max. 6000 kg
	350 < 375 mm	Max. 7000 kg
	375 < 400 mm	Max. 7500 kg
	400 mm or more	Max. 8000 kg
Maximum Allowable Gross Vehicle Weight		see ss. 20 and 24

SCHEDULE 8  
DESIGNATED COMBINATION 8 — TRI-DRIVE TRACTOR FIXED AXLE SEMI-TRAILER



**Configuration Description**

Designated Combination 8 is composed of a tractor and a single semi-trailer. The front axle of the tractor is a single axle with single tires. The drive axle of the tractor is a tri-drive. The semi-trailer has one axle unit that is either a single, tandem or tridem axle.

**Qualifying Preconditions**

Weight, see s. 14

Equipment and components, see ss. 5 to 8, 11

DIMENSIONAL LIMIT CHART

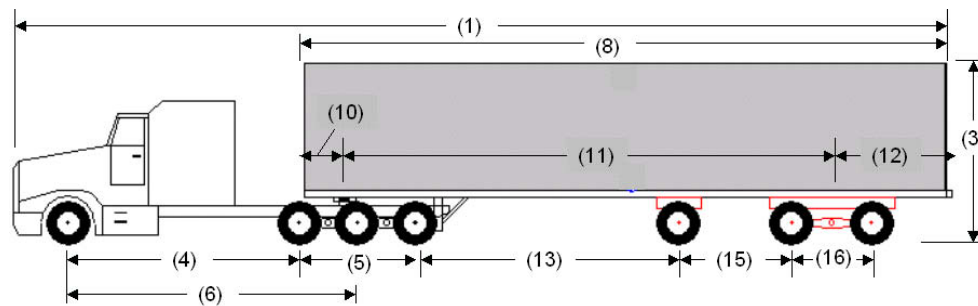
	Ref	Feature	Dimensional Limit
Overall	(1)	Overall Length	Max. 23.0m
	(1)	Overall Length (long combination)	Max. 23.5m
	(2)	Width	Max. 2.6m
	(3)	Height	Max. 4.15m
Tractor	(4)	Inter-axle Spacing	not controlled
	(5)	Tridem Axle Spread	2.4 to 2.8m
	(6)	Wheelbase	6.6 to 6.8m
	(7)	Tridem Track Width	2.5 to 2.6m
Semi-Trailer	(8)	Length	Max. 14.65m
	(8)	Length (long combination)	Max. 16.2m
	(9)	End-Dump Semi-Trailer Bed Length	Max. 14.65m
	(10)	Swing Radius	Max. 2.0m
	(11)	Wheelbase	6.25 to 12.0m
	(12)	Effective Rear Overhang	Max. 35% of wheelbase
	(13)	Inter-vehicle-unit Distance	
		– single to tridem	Min. 3.0m
		– tandem to tridem	Min. 5.5m
		– tridem to tridem	Min. 6.0m
	(16)	Tandem Spread	1.2 to 3.1m
	(16)	Tridem Spread	2.4 to 3.7m
	(19)	Track Width	2.5 to 2.6m

WEIGHT LIMIT CHART

	Feature	Weight Limit	
Axle Weights	Front Axle	Max. 7,700 kg (see s. 18)	
	Tri-drive Axle (by axle spread)	2.4 < 2.7m	Max. 21,300 kg
		2.7 to 2.8m	Max. 22,000 kg
	Single Axle (dual tires)	Max. 10,000 kg	
	Tandem Axle (by axle spread)	1.2 < 1.6m	Max. 18,000 kg
		1.6 < 1.7m	Max. 18,300 kg
		1.7 < 1.8m	Max. 18,700 kg
		1.8m to 3.1m	Max. 19,100 kg

	Feature	Weight Limit	
	Tridem Axle (by axle spread) 2.4 < 2.8m 2.8 < 2.9m 2.9 < 3.0m 3.0 < 3.6m 3.6 to 3.7m	Effective January 1, 2006: Max. 21,300 kg Max. 21,700 kg Max. 22,000 kg Max. 24,000 kg Max. 26,000 kg	Prior to 2006: Max. 21,300 kg Max. 21,700 kg Max. 22,000 kg HTA, Part VIII, Table 2 Max. 25,500 kg
	Individual Axle with Single Tires (long combinations and combinations where semi-trailer is built after 2005) by axle's tire width Less than 350 mm 350 < 375 mm 375 < 400 mm 400 mm or more	Max. 6000 kg Max. 7000 kg Max. 7500 kg Max. 8000 kg	
Maximum Allowable Gross Vehicle Weight		see ss. 20 and 24	

**SCHEDULE 9  
DESIGNATED COMBINATION 9 — TRI-DRIVE TRACTOR SELF-STEER TRIAXLE SEMI-TRAILER**



**Configuration Description**

Designated Combination 9 is composed of a tractor and a single semi-trailer. The front axle of the tractor is a single axle with single tires. The drive axle of the tractor is a tri-drive. The semi-trailer has two axle units: a single self-steer axle (in front) and a tandem axle (in the rear).

**Qualifying Preconditions**

Weight, see s. 14

Equipment and components, see ss. 5 to 11

Labelling, see s. 13

**Alternatives**

Designated combination 8 (see s. 4)

**DIMENSIONAL LIMIT CHART**

	Ref	Feature	Dimensional Limit
Overall	(1)	Overall Length	Max. 23.0m
	(1)	Overall Length (long combination)	Max. 23.5m
	(2)	Width	Max. 2.6m
	(3)	Height	Max. 4.15m
Tractor	(4)	Inter-axle Spacing	not controlled
	(5)	Tridem Axle Spread	2.4 to 2.8m
	(6)	Wheelbase	6.6 to 6.8m
	(7)	Tridem Track Width	2.5 to 2.6m

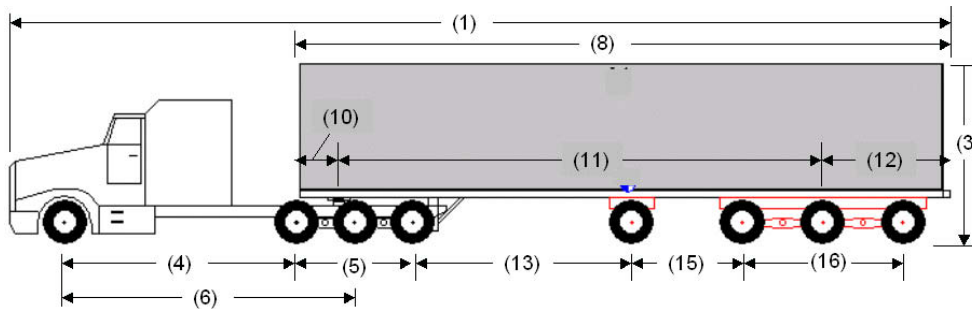
	Ref	Feature	Dimensional Limit
Semi-Trailer	(8)	Length	Max. 14.65m
	(8)	Length (long combination)	Max. 16.2m
	(9)	End-Dump Semi-Trailer Bed Length	Max. 14.65m
	(10)	Swing Radius	Max. 2.0m
	(11)	Wheelbase	6.25 to 12.0m
	(12)	Effective Rear Overhang	Max. 35% of wheelbase
	(13)	Inter-vehicle-unit Distance	Min. 3.7m
	(15)	Inter-axle Spacing	>2.5 to 3.0m
	(16)	Tandem Spread	1.2 to 2.8m
	(19)	Track Width — tandem	2.5 to 2.6m

WEIGHT LIMIT CHART

	Feature	Weight Limit	
Axle Weights	Front Axle	Max. 7,700 kg (see s. 18)	
	Tri-drive Axle (by axle spread)	2.4 < 2.7m	Max. 21,300 kg
		2.7 to 2.8m	Max. 22,000 kg
	Tandem Axle (by axle spread)	1.2 < 1.6m	Max. 18,000 kg
		1.6 < 1.7m	Max. 18,300 kg
		1.7 < 1.8m	Max. 18,700 kg
1.8m to 2.8m		Max. 19,100 kg	
Individual Axle with Single Tires (long combinations and combinations where semi-trailer is built after 2005) by axle's tire width	Less than 350 mm	Max. 6000 kg	
	350 < 375 mm	Max. 7000 kg	
	375 < 400 mm	Max. 7500 kg	
	400 mm or more	Max. 8000 kg	
Maximum Allowable Gross Vehicle Weight		see ss. 20 and 24	

SCHEDULE 10

DESIGNATED COMBINATION 10 — TRI-DRIVE TRACTOR SELF-STEER QUAD SEMI-TRAILER



**Configuration Description**

Designated Combination 10 is composed of a tractor and a single semi-trailer. The front axle of the tractor is a single axle with single tires. The drive axle of the tractor is a tri-drive. The semi-trailer has two axle units: a single self-steer axle (in front) and a tridem axle (in the rear).

**Qualifying Preconditions**

Weight, see s. 14

Equipment and components, see ss. 5 to 9, 11

Labelling, see s. 13

**Alternatives**

Designated combination 8 (see s. 4)



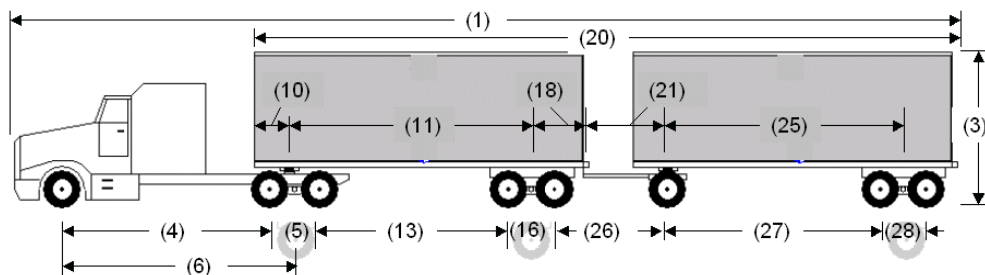
DIMENSIONAL LIMIT CHART

	Ref	Feature	Dimensional Limit
Overall	(1)	Overall Length	Max. 23.0m
	(1)	Overall Length (long combination)	Max. 23.5m
	(2)	Width	Max. 2.6m
	(3)	Height	Max. 4.15m
Tractor	(4)	Inter-axle Spacing	not controlled
	(5)	Tridem Axle Spread	2.4 to 2.8m
	(6)	Wheelbase	6.6 to 6.8m
	(7)	Tridem Track Width	2.5 to 2.6m
Semi-Trailer	(8)	Length	Max. 14.65m
	(8)	Length (long combination)	Max. 16.2m
	(9)	End-Dump Semi-Trailer Bed Length	Max. 14.65m
	(10)	Swing Radius	Max. 2.0m
	(11)	Wheelbase	6.25 to 12.0m
	(12)	Effective Rear Overhang	Max. 35% of wheelbase
	(13)	Inter-vehicle-unit Distance – if tridem spread is 3.0 < 3.6m – if tridem spread is 3.6 to 3.7m	Min. 5.0m Min. 4.5m
	(15)	Inter-axle Spacing	>2.5 to 3.0m
	(16)	Tridem Spread	3.0 to 3.7m
(19)	Track Width — tridem	2.5 to 2.6m	

WEIGHT LIMIT CHART

	Feature	Weight Limit
Tire Weights	Self-steer axle (tire width) 365 < 385 mm	Max. 4,000 kg per tire
	385 mm or more	Max. 4,250 kg per tire
Axle Weights	Front Axle	Max. 7,700 kg (see s. 18)
	Tri-drive Axle (by axle spread) 2.4 < 2.7m	Max. 21,300 kg
	2.7 to 2.8m	Max. 22,000 kg
	Tridem Axle (by axle spread) 3.0 < 3.6m	24,000 kg
3.6 to 3.7m	25,500 kg	
Individual Axle with Single Tires (long combinations and combinations where semi-trailer is built after 2005) by axle's tire width	Less than 350 mm	Max. 6000 kg
	350 < 375 mm	Max. 7000 kg
	375 < 400 mm	Max. 7500 kg
	400 mm or more	Max. 8000 kg
Maximum Allowable Gross Vehicle Weight		See Sections 20 and 24

SCHEDULE 11  
DESIGNATED COMBINATION 11 — TRACTOR A-TRAIN DOUBLE TRAILERS



### Configuration Description

Designated Combination 11 is an A-train double. The front axle of the tractor is a single axle with single tires. The drive axle of the tractor is a single or tandem axle. The lead semi-trailer has one axle unit that is a single or tandem axle. If there is a trailer converter dolly, it has a single axle and the second semi-trailer has one axle unit that is a single or tandem axle. If there is no trailer converter dolly, the full trailer has two axle units: a single axle (in front) and a single or tandem axle (in the rear)

### Qualifying Preconditions

Weight, see s. 14

Equipment and components, see ss. 5 to 8

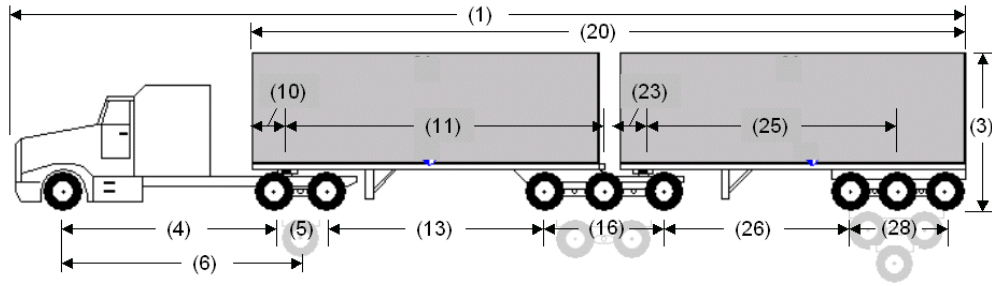
### DIMENSIONAL LIMIT CHART

	Ref.	Feature	Dimensional Limit
Overall	(1)	Overall Length	Max. 23.0m
	(1)	Overall Length (long combination)	Max. 25.0m
	(2)	Width	Max. 2.6m
	(3)	Height	Max. 4.15m
Tractor	(4)	Inter-axle Spacing	Min. 3.0m
	(5)	Tandem Axle Spread	1.2 to 1.85m
	(6)	Wheelbase	Max. 6.2m if tractor built in or after 2006
	(6)	Wheelbase — (long combination)	Max. 6.2m
Lead Semi-Trailer	(10)	Swing Radius	Max. 2.0m
	(11)	Wheelbase	Min. 6.25m
	(13)	Inter-vehicle-unit Distance – single to single or tandem – tandem to tandem	Min. 3.0m Min. 5.0m
	(16)	Tandem Spread	1.2 to 1.85m
	(18)	Hitch Offset	Max. 1.8m
	(19)	Track Width	2.5 to 2.6m
Trailer Combination	(20)	Box Length	Max. 18.5m
	(20)	Box Length (long combination)	Max. 20.0m
	(21)	Converter Dolly Drawbar Length	not controlled
	(22)	Converter Dolly Track Width	2.5 to 2.6m
Second Semi or Full Trailer	(25)	Wheelbase	Min. 6.25m
	(26)	Inter-vehicle-unit Distance	not controlled
	(27)	Inter-axle Spacing	Min. 3.0m
	(28)	Tandem Spread	1.2 to 1.85m
	(29)	Track Width	2.5 to 2.6m

### WEIGHT LIMIT CHART

	Feature	Weight Limit	
Axle Weights	Front Axle	Max. 7,700 kg (see s. 18)	
	Single Axle (dual tires)	Max. 10,000 kg	
	Tandem Axle (by axle spread)	1.2 < 1.6m	Max. 18,000 kg
		1.6 < 1.7m	Max. 18,300 kg
		1.7 < 1.8m	Max. 18,700 kg
		1.8m to 1.85m	Max. 19,100 kg
Individual Axle with Single Tires (long combinations and combinations where any trailer is built after 2005) by axle's tire width	Less than 350 mm	Max. 6000 kg	
	350 < 375 mm	Max. 7000 kg	
	375 < 400 mm	Max. 7500 kg	
	400 mm or more	Max. 8000 kg	
Maximum Allowable Gross Vehicle Weight		see ss. 21 and 24	

SCHEDULE 12  
DESIGNATED COMBINATION 12 — TRACTOR B-TRAIN DOUBLE TRAILERS



**Configuration Description**

Designated Combination 12 is a B-train double. The front axle of the tractor is a single axle with single tires. The drive axle of the tractor is a single or tandem axle. The lead semi-trailer has one axle unit that is a tandem or tridem axle. The second semi-trailer has one axle unit that is a single, tandem or tridem axle.

**Qualifying Preconditions**

Weight, see s. 14

Equipment and components, see ss. 5 to 8

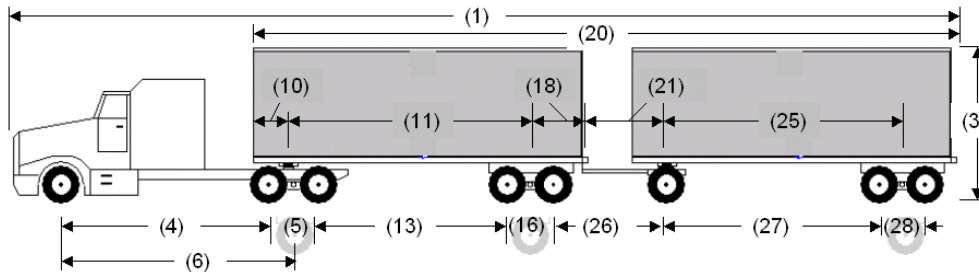
DIMENSIONAL LIMIT CHART

	Ref.	Feature	Dimensional Limit
Overall	(1)	Overall Length	Max. 23.0m
	(1)	Overall Length (long combination)	Max. 25.0m
	(2)	Width	Max. 2.6m
	(3)	Height	Max. 4.15m
Tractor	(4)	Inter-axle Spacing	Min. 3.0m
	(5)	Tandem Axle Spread	1.2 to 1.85m
	(6)	Wheelbase	Max. 6.2m if tractor built in or after 2006
	(6)	Wheelbase — (long combination)	Max. 6.2m
Lead Semi-Trailer	(10)	Swing Radius	Max. 2.0m
	(11)	Wheelbase	Min. 6.25m
	(13)	Inter-vehicle-unit Distance	
		– single to tandem or tridem	Min. 3.0m
		– tandem to tandem	Min. 5.0m
	– tandem to tridem	Min. 5.5m	
(16)	Tandem Spread	1.2 to 1.85m	
(16)	Tridem Spread	2.4 to 3.1m	
Trailer Combination	(19)	Track Width	2.5 to 2.6m
	(20)	Box Length	Max. 18.5m
	(20)	Box Length (long combination)	Max. 20.0m
Second Trailer	(11)+(25)	Sum of Trailer Wheelbases	Max. 17.0m
	(23)	Swing Radius	Max. 2.0m
	(24)	Kingpin behind rearmost axle of lead trailer	Max. 0.3m
	(25)	Wheelbase	Min. 6.25m
	(26)	Inter-vehicle-unit Distance	
		– single to tandem or tridem	Min. 3.0m
		– tandem to tandem	Min. 5.0m
		– tandem to tridem	Min. 5.5m
	– tridem to tridem	Min. 6.0m	
(28)	Tandem Spread	1.2 to 1.85m	
(28)	Tridem Spread	2.4 to 3.1m	
(29)	Track Width	2.5 to 2.6m	

WEIGHT LIMIT CHART

	Feature	Weight Limit		
Axle Weights	Front Axle	Max. 7,700 kg (see s. 18)		
	Single Axle (dual tires)	Max. 10,000 kg		
	Tandem Axle (by axle spread)	1.2 < 1.6m	Max. 18,000 kg	
		1.6 < 1.7m	Max. 18,300 kg	
		1.7 < 1.8m	Max. 18,700 kg	
1.8m to 1.85m		Max. 19,100 kg		
Tridem Axle (by axle spread)	2.4 < 2.8m	Effective January 1, 2006:	Prior to 2006:	
	2.8 < 2.9m	Max. 21,300 kg	Max. 21,300 kg	
	2.9 < 3.0m	Max. 21,700 kg	Max. 21,700 kg	
	3.0 to 3.1m	Max. 22,000 kg	Max. 22,000 kg	
	3.0 to 3.1m	Max. 24,000 kg	Max. 23,000 kg	
Maximum Allowable Gross Vehicle Weight	Individual Axle with Single Tires (long combinations and combinations where any trailer is built after 2005) by axle's tire width			
	Less than 350 mm	Max. 6000 kg		
	350 < 375 mm	Max. 7000 kg		
	375 < 400 mm	Max. 7500 kg		
400 mm or more	Max. 8000 kg			
Maximum Allowable Gross Vehicle Weight		see ss. 22 and 24		

SCHEDULE 13  
DESIGNATED COMBINATION 13 — TRACTOR C-TRAIN DOUBLE TRAILERS



**Configuration Description**

Designated Combination 13 is a C-train double. The front axle of the tractor is a single axle with single tires. The drive axle of the tractor is a single or tandem axle. The lead semi-trailer has one axle unit that is a single or tandem axle. The trailer converter dolly has one axle unit that is a single axle. The second semi-trailer has one axle unit that is a single or tandem axle.

**Qualifying Preconditions**

Weight, see s. 14

Equipment and components, see ss. 5 to 8, 12

DIMENSIONAL LIMIT CHART

	Ref.	Feature	Dimensional Limit
Overall	(1)	Overall Length	Max. 23.0m
	(1)	Overall Length (long combination)	Max. 25.0m
	(2)	Width	Max. 2.6m
	(3)	Height	Max. 4.15m
Tractor	(4)	Inter-axle Spacing	Min. 3.0m
	(5)	Tandem Axle Spread	1.2 to 1.85m
	(6)	Wheelbase	Max. 6.2m if tractor built in or after 2006
	(6)	Wheelbase — (long combination)	Max. 6.2m

	Ref.	Feature	Dimensional Limit
Lead Semi-Trailer	(10)	Swing Radius	Max. 2.0m
	(11)	Wheelbase	Min. 6.25m
	(13)	Inter-vehicle-unit Distance – single to single or tandem – tandem to tandem	Min. 3.0m
			Min. 5.0m
	(16)	Tandem Spread	1.2 to 1.85m
	(18)	Hitch Offset	Max. 1.8m
(19)	Track Width	2.5 to 2.6m	
Trailer Combination	(20)	Box Length	Max. 18.5m
	(20)	Box Length (long combination)	Max. 20.0m
	(21)	Converter Dolly Drawbar Length	Max. 2.0m
	(22)	Converter Dolly Track Width	2.5 to 2.6m
Second Trailer	(25)	Wheelbase	Min. 6.25m
	(26)	Inter-vehicle-unit Distance	not controlled
	(27)	Inter axle Spacing	Min. 3.0m
	(28)	Tandem Spread	1.2 to 1.85m
	(29)	Track Width	2.5 to 2.6m

WEIGHT LIMIT CHART

	Feature	Weight Limit	
Axle Weights	Front Axle	Max. 7,700 kg (see s. 18)	
	Single Axle (dual tires)	Max. 10,000 kg	
	Tandem Axle (by axle spread)	1.2 < 1.6m	Max. 18,000 kg
		1.6 < 1.7m	Max. 18,300 kg
		1.7 < 1.8m	Max. 18,700 kg
		1.8m to 1.85m	Max. 19,100 kg
Individual Axle with Single Tires (long combinations and combinations where any trailer is built after 2005) by axle's tire width	Less than 350 mm	Max. 6000 kg	
	350 < 375 mm	Max. 7000 kg	
	375 < 400 mm	Max. 7500 kg	
	400 mm or more	Max. 8000 kg	
Maximum Allowable Gross Vehicle Weight		see ss. 23 and 24	

VEHICLE WEIGHT TABLE 1

ALLOWABLE GROSS WEIGHT ON A VEHICLE WITH THREE AXLES (KILOGRAMS)  
FRONT AXLE WEIGHT, (KILOGRAMS)

BASE LENGTH (METRES)	5 000 or Less	5 001 TO Less THAN 5 500	5 500 TO Less THAN 6 000	6 000 TO Less THAN 6 500	6 500 TO Less THAN 7 000	7 000 TO Less THAN 7 500	7 500 TO Less THAN 8 000	8 000 TO Less THAN 8 500	8 500 TO Less THAN 9 000	9 000 TO Less THAN 9 500	9 500 TO Less THAN 10 000
LESS THAN 4.00	22,600	22,900	23,100	23,400	23,600	23,800	24,000	24,200	24,400	24,700	25,000
4.00 TO LESS THAN 4.10	22,900	23,200	23,400	23,700	23,900	24,100	24,300	24,500	24,700	25,000	25,300
4.10 TO LESS THAN 4.20	23,300	23,600	23,800	24,100	24,300	24,500	24,700	24,900	25,100	25,400	25,700
4.20 TO LESS THAN 4.30	23,600	23,900	24,100	24,400	24,600	24,800	25,000	25,200	25,400	25,700	26,000
4.30 TO LESS THAN 4.40	23,800	24,200	24,400	24,700	24,900	25,100	25,300	25,500	25,700	26,000	26,300
4.40 TO LESS THAN 4.50	23,800	24,300	24,800	25,100	25,300	25,500	25,700	25,900	26,100	26,400	26,700
4.50 TO LESS THAN 4.60	23,800	24,300	24,800	25,300	25,600	25,800	26,000	26,200	26,400	26,700	27,000
4.60 TO LESS THAN 4.70	23,800	24,300	24,800	25,300	25,800	26,100	26,300	26,500	26,700	27,000	27,300
4.70 TO LESS THAN 4.80	23,800	24,300	24,800	25,300	25,800	26,300	26,700	26,900	27,100	27,400	27,700
4.80 TO LESS THAN 4.90	23,800	24,300	24,800	25,300	25,800	26,300	26,800	27,200	27,400	27,700	28,000
4.90 TO LESS THAN 5.00	23,800	24,300	24,800	25,300	25,800	26,300	26,800	27,300	27,700	28,000	28,400
5.00 AND OVER	23,800	24,300	24,800	25,300	25,800	26,300	26,800	27,300	27,800	28,300	28,800

## VEHICLE WEIGHT TABLE 2

ALLOWABLE GROSS WEIGHT ON A VEHICLE WITH FOUR AXLES (KILOGRAMS)  
FRONT AXLE WEIGHT, (KILOGRAMS)

BASE LENGTH (METRES)	5 000	5 001	5 500	6 000	6 500	7 000	7 500	8 000	8 500	9 000	9 500
	or Less	TO LESS THAN 5 500	TO LESS THAN 6 000	TO LESS THAN 6 500	TO LESS THAN 7 000	TO LESS THAN 7 500	TO LESS THAN 8 000	TO LESS THAN 8 500	TO LESS THAN 9 000	TO LESS THAN 9 500	TO AND INCL 10 000
LESS THAN 5.00	28,600	28,900	29,100	29,400	29,600	29,800	30,100	30,300	30,500	30,800	31,000
5.00 TO LESS THAN 5.25	29,100	29,400	29,600	29,900	30,200	30,400	30,700	30,900	31,100	31,400	31,600
5.25 TO LESS THAN 5.50	29,600	29,900	30,100	30,400	30,700	30,900	31,300	31,500	31,700	32,100	32,300
5.50 TO LESS THAN 5.75	30,000	30,400	30,600	31,000	31,300	31,500	31,900	32,100	32,400	32,700	33,000
5.75 TO LESS THAN 6.00	30,500	30,900	31,200	31,500	31,800	32,100	32,400	32,700	33,000	33,300	33,600
6.00 TO LESS THAN 6.25	31,000	31,400	31,700	32,000	32,400	32,700	33,000	33,300	33,600	34,000	34,300
6.25 TO LESS THAN 6.50	31,500	31,900	32,200	32,600	32,900	33,200	33,600	33,900	34,300	34,600	34,900
6.50 TO LESS THAN 6.75	32,000	32,400	32,700	33,100	33,500	33,800	34,200	34,500	34,900	35,200	35,500
6.75 TO LESS THAN 7.00	32,500	32,900	33,200	33,600	34,000	34,400	34,800	35,100	35,500	35,900	36,200
7.00 TO LESS THAN 7.25	33,000	33,400	33,700	34,100	34,600	35,000	35,400	35,700	36,100	36,500	36,900
7.25 TO LESS THAN 7.50	33,300	33,800	34,200	34,600	35,100	35,500	35,900	36,300	36,700	37,200	37,600
7.50 AND OVER	33,300	33,800	34,300	34,800	35,300	35,800	36,300	36,800	37,300	37,800	38,300

## VEHICLE WEIGHT TABLE 3

ALLOWABLE GROSS WEIGHT ON A VEHICLE WITH FIVE AXLES (KILOGRAMS)  
INTER-VEHICLE-UNIT DISTANCE, LESS THAN 2.4 METRES  
(OR INTRA-VEHICLE-UNIT DISTANCE)  
FRONT AXLE WEIGHT, (KILOGRAMS)

BASE LENGTH, (METRES)	5 000	5 001	5 500	6 000	6 500	7 000	7 500	8 000	8 500	9 000	9 500
	or Less	TO LESS THAN 5 500	TO LESS THAN 6 000	TO LESS THAN 6 500	TO LESS THAN 7 000	TO LESS THAN 7 500	TO LESS THAN 8 000	TO LESS THAN 8 500	TO LESS THAN 9 000	TO LESS THAN 9 500	TO AND INCL 10 000
LESS THAN 7.00	30,200	30,600	31,000	31,300	31,700	32,100	32,500	32,900	33,300	33,700	34,100
7.00 TO LESS THAN 7.25	30,700	31,100	31,500	31,900	32,300	32,700	33,000	33,400	33,800	34,200	34,600
7.25 TO LESS THAN 7.50	31,200	31,600	32,000	32,400	32,800	33,200	33,600	34,000	34,400	34,800	35,200
7.50 TO LESS THAN 7.75	31,700	32,100	32,500	32,900	33,300	33,700	34,100	34,500	34,900	35,300	35,700
7.75 TO LESS THAN 8.00	32,200	32,600	33,000	33,400	33,800	34,200	34,600	35,000	35,400	35,800	36,200
8.00 TO LESS THAN 8.25	32,700	33,100	33,500	33,900	34,300	34,700	35,200	35,600	36,000	36,400	36,800
8.25 TO LESS THAN 8.50	33,200	33,600	34,000	34,400	34,900	35,300	35,700	36,100	36,500	36,900	37,300
8.50 TO LESS THAN 8.75	33,700	34,100	34,500	35,000	35,400	35,800	36,200	36,600	37,000	37,400	37,800
8.75 TO LESS THAN 9.00	34,200	34,600	35,100	35,500	35,900	36,300	36,700	37,100	37,600	38,000	38,400
9.00 TO LESS THAN 9.25	34,700	35,100	35,600	36,000	36,400	36,800	37,300	37,700	38,100	38,500	38,900
9.25 TO LESS THAN 9.50	35,200	35,700	36,100	36,500	36,900	37,400	37,800	38,200	38,600	39,100	39,500
9.50 TO LESS THAN 9.75	35,700	36,200	36,600	37,000	37,400	37,900	38,300	38,700	39,200	39,600	40,000
9.75 TO LESS THAN 10.00	36,200	36,700	37,100	37,500	38,000	38,400	38,800	39,300	39,700	40,100	40,500
10.00 TO LESS THAN 10.25	36,700	37,200	37,600	38,100	38,500	38,900	39,400	39,800	40,200	40,700	41,200
10.25 AND OVER	36,700	37,200	37,700	38,200	38,700	39,200	39,700	40,200	40,700	41,200	41,700

VEHICLE WEIGHT TABLE 4

ALLOWABLE GROSS WEIGHT ON A VEHICLE WITH FIVE AXLES (KILOGRAMS)  
 INTER-VEHICLE-UNIT DISTANCE, 2.4 METRES TO LESS THAN 2.7 METRES  
 (OR INTRA-VEHICLE-UNIT DISTANCE)  
 FRONT AXLE WEIGHT, (KILOGRAMS)

BASE LENGTH, (METRES)	5 000	5 001	5 500	6 000	6 500	7 000	7 500	8 000	8 500	9 000	9 500
	Less	TO LESS THAN 5 500	TO LESS THAN 6 000	TO LESS THAN 6 500	TO LESS THAN 7 000	TO LESS THAN 7 500	TO LESS THAN 8 000	TO LESS THAN 8 500	TO LESS THAN 9 000	TO LESS THAN 9 500	TO AND INCL 10 000
LESS THAN 7.25	31,700	32,100	32,500	32,900	33,200	33,600	34,000	34,400	34,700	35,100	35,500
7.25 TO LESS THAN 7.50	32,200	32,600	33,000	33,400	33,800	34,100	34,500	34,900	35,300	35,600	36,000
7.50 TO LESS THAN 7.75	32,700	33,100	33,500	33,900	34,300	34,700	35,100	35,400	35,800	36,200	36,600
7.75 TO LESS THAN 8.00	33,200	33,600	34,000	34,400	34,800	35,200	35,600	36,000	36,400	36,700	37,100
8.00 TO LESS THAN 8.25	33,700	34,100	34,500	34,900	35,300	35,700	36,100	36,500	36,900	37,300	37,700
8.25 TO LESS THAN 8.50	34,200	34,600	35,000	35,400	35,800	36,200	36,600	37,000	37,400	37,800	38,200
8.50 TO LESS THAN 8.75	34,800	35,200	35,600	36,000	36,400	36,800	37,200	37,600	38,000	38,400	38,800
8.75 TO LESS THAN 9.00	35,300	35,700	36,100	36,500	36,900	37,300	37,700	38,100	38,500	38,900	39,300
9.00 TO LESS THAN 9.25	35,800	36,200	36,600	37,000	37,400	37,800	38,200	38,700	39,100	39,500	39,900
9.25 TO LESS THAN 9.50	36,300	36,700	37,100	37,500	37,900	38,400	38,800	39,200	39,600	40,000	40,400
9.50 TO LESS THAN 9.75	36,800	37,200	37,600	38,000	38,500	38,900	39,300	39,700	40,200	40,600	41,000
9.75 TO LESS THAN 10.00	37,300	37,700	38,100	38,600	39,000	39,400	39,800	40,200	40,600	41,000	41,400
10.00 TO LESS THAN 10.25	37,800	38,200	38,700	39,100	39,500	39,900	40,300	40,700	41,100	41,400	41,800
10.25 TO LESS THAN 10.50	37,800	38,300	38,800	39,300	39,800	40,300	40,700	41,100	41,500	41,900	42,300
10.50 AND OVER	37,800	38,300	38,800	39,300	39,800	40,300	40,800	41,300	41,800	42,300	42,800

VEHICLE WEIGHT TABLE 5

ALLOWABLE GROSS WEIGHT ON A VEHICLE WITH FIVE AXLES (KILOGRAMS)  
 INTER-VEHICLE-UNIT DISTANCE, 2.7 METRES TO LESS THAN 3.0 METRES  
 (OR INTRA-VEHICLE-UNIT DISTANCE)  
 FRONT AXLE WEIGHT, (KILOGRAMS)

BASE LENGTH, (METRES)	5 000	5 001	5 500	6 000	6 500	7 000	7 500	8 000	8 500	9 000	9 500
	Less	TO LESS THAN 5 500	TO LESS THAN 6 000	TO LESS THAN 6 500	TO LESS THAN 7 000	TO LESS THAN 7 500	TO LESS THAN 8 000	TO LESS THAN 8 500	TO LESS THAN 9 000	TO LESS THAN 9 500	TO AND INCL 10 000
LESS THAN 7.50	33,600	33,900	34,300	34,600	35,000	35,300	35,700	36,000	36,400	36,700	37,100
7.50 TO LESS THAN 7.75	34,100	34,400	34,800	35,100	35,500	35,800	36,200	36,500	36,900	37,200	37,600
7.75 TO LESS THAN 8.00	34,500	34,900	35,300	35,600	36,000	36,300	36,700	37,100	37,400	37,800	38,200
8.00 TO LESS THAN 8.25	35,000	35,400	35,800	36,100	36,500	36,900	37,200	37,600	37,900	38,300	38,700
8.25 TO LESS THAN 8.50	35,500	35,900	36,300	36,600	37,000	37,400	37,700	38,100	38,500	38,800	39,200
8.50 TO LESS THAN 8.75	36,000	36,400	36,700	37,100	37,500	37,900	38,200	38,600	39,000	39,400	39,700
8.75 TO LESS THAN 9.00	36,400	36,800	37,200	37,600	38,000	38,400	38,800	39,100	39,500	39,900	40,300
9.00 TO LESS THAN 9.25	36,900	37,300	37,700	38,100	38,500	38,900	39,300	39,700	40,000	40,400	40,800
9.25 TO LESS THAN 9.50	37,400	37,800	38,200	38,600	39,000	39,400	39,800	40,200	40,600	41,000	41,400
9.50 TO LESS THAN 9.75	37,900	38,300	38,700	39,100	39,500	39,900	40,300	40,700	41,100	41,500	41,900
9.75 TO LESS THAN 10.00	38,400	38,800	39,200	39,600	40,000	40,400	40,800	41,200	41,600	42,000	42,400
10.00 TO LESS THAN 10.25	38,900	39,300	39,700	40,100	40,500	40,900	41,300	41,700	42,100	42,500	42,900
10.25 TO LESS THAN 10.50	39,100	39,600	40,100	40,600	41,000	41,400	41,800	42,300	42,700	43,100	43,600
10.50 AND OVER	39,100	39,600	40,100	40,600	41,100	41,600	42,100	42,600	43,100	43,600	44,100

VEHICLE WEIGHT TABLE 6

ALLOWABLE GROSS WEIGHT ON A VEHICLE WITH FIVE AXLES (KILOGRAMS)  
 INTER-VEHICLE-UNIT DISTANCE, 3.0 METRES TO LESS THAN 3.3 METRES  
 (OR INTRA-VEHICLE-UNIT DISTANCE)  
 FRONT AXLE WEIGHT, (KILOGRAMS)

BASE LENGTH, (METRES)	5 000 or Less	5 001 TO LESS THAN 5 500	5 500 TO LESS THAN 6 000	6 000 TO LESS THAN 6 500	6 500 TO LESS THAN 7 000	7 000 TO LESS THAN 7 500	7 500 TO LESS THAN 8 000	8 000 TO LESS THAN 8 500	8 500 TO LESS THAN 9 000	9 000 TO LESS THAN 9 500	9 500 TO AND INCL 10 000
LESS THAN 8.00	35,200	35,500	35,800	36,100	36,400	36,700	37,100	37,400	37,700	38,000	38,300
8.00 TO LESS THAN 8.25	35,700	36,000	36,300	36,600	37,000	37,300	37,600	37,900	38,200	38,600	38,900
8.25 TO LESS THAN 8.50	36,200	36,500	36,800	37,200	37,500	37,800	38,200	38,500	38,800	39,100	39,500
8.50 TO LESS THAN 8.75	36,700	37,000	37,300	37,700	38,000	38,400	38,700	39,000	39,400	39,700	40,000
8.75 TO LESS THAN 9.00	37,200	37,500	37,900	38,200	38,600	38,900	39,200	39,600	39,900	40,300	40,700
9.00 TO LESS THAN 9.25	37,700	38,000	38,400	38,700	39,100	39,400	39,800	40,100	40,500	40,900	41,200
9.25 TO LESS THAN 9.50	38,100	38,500	38,900	39,200	39,600	40,000	40,300	40,700	41,100	41,400	41,800
9.50 TO LESS THAN 9.75	38,600	39,000	39,400	39,800	40,100	40,500	40,900	41,300	41,600	42,000	42,400
9.75 TO LESS THAN 10.00	39,100	39,500	39,900	40,300	40,700	41,000	41,400	41,800	42,200	42,600	43,000
10.00 TO LESS THAN 10.25	39,600	40,000	40,400	40,800	41,200	41,600	42,000	42,300	42,700	43,100	43,500
10.25 TO LESS THAN 10.50	40,000	40,500	40,900	41,300	41,700	42,100	42,500	42,900	43,300	43,700	44,100
10.50 TO LESS THAN 10.75	40,300	40,800	41,300	41,800	42,200	42,600	43,000	43,400	43,800	44,200	44,600
10.75 AND OVER	40,300	40,800	41,300	41,800	42,300	42,800	43,300	43,800	44,300	44,800	45,300

VEHICLE WEIGHT TABLE 7

ALLOWABLE GROSS WEIGHT ON A VEHICLE WITH FIVE AXLES (KILOGRAMS)  
 INTER-VEHICLE-UNIT DISTANCE, 3.3 METRES TO LESS THAN 3.6 METRES  
 (OR INTRA-VEHICLE-UNIT DISTANCE)  
 FRONT AXLE WEIGHT, (KILOGRAMS)

BASE LENGTH, (METRES)	5 000 or Less	5 001 TO LESS THAN 5 500	5 500 TO LESS THAN 6 000	6 000 TO LESS THAN 6 500	6 500 TO LESS THAN 7 000	7 000 TO LESS THAN 7 500	7 500 TO LESS THAN 8 000	8 000 TO LESS THAN 8 500	8 500 TO LESS THAN 9 000	9 000 TO LESS THAN 9 500	9 500 TO AND INCL 10 000
LESS THAN 8.50	37,300	37,600	37,900	38,200	38,500	38,800	39,000	39,300	39,600	39,900	40,200
8.50 TO LESS THAN 8.75	37,700	38,000	38,300	38,600	38,900	39,200	39,500	39,800	40,100	40,400	40,700
8.75 TO LESS THAN 9.00	38,100	38,400	38,700	39,000	39,400	39,700	40,000	40,300	40,600	40,800	41,200
9.00 TO LESS THAN 9.25	38,500	38,800	39,200	39,500	39,800	40,100	40,400	40,800	41,100	41,400	41,700
9.25 TO LESS THAN 9.50	38,900	39,300	39,600	39,900	40,200	40,600	40,900	41,200	41,600	41,900	42,300
9.50 TO LESS THAN 9.75	39,300	39,700	40,000	40,300	40,700	41,000	41,400	41,700	42,100	42,400	42,800
9.75 TO LESS THAN 10.00	39,700	40,100	40,400	40,800	41,100	41,500	41,900	42,200	42,600	42,900	43,300
10.00 TO LESS THAN 10.25	40,100	40,500	40,800	41,200	41,600	42,000	42,300	42,700	43,100	43,500	43,800
10.25 TO LESS THAN 10.50	40,400	40,800	41,300	41,700	42,000	42,400	42,800	43,200	43,600	44,000	44,400
10.50 TO LESS THAN 10.75	40,800	41,200	41,700	42,100	42,500	42,900	43,300	43,700	44,100	44,600	45,000
10.75 AND OVER	40,900	41,400	41,900	42,400	42,900	43,400	43,800	44,200	44,700	45,100	45,500



VEHICLE WEIGHT TABLE 8

ALLOWABLE GROSS WEIGHT ON A VEHICLE WITH FIVE AXLES (KILOGRAMS)  
 INTER-VEHICLE-UNIT DISTANCE, 3.6 METRES OR MORE  
 (OR INTRA-VEHICLE-UNIT DISTANCE)  
 FRONT AXLE WEIGHT, (KILOGRAMS)

BASE LENGTH, (METRES)	5 000	5 001	5 500	6 000	6 500	7 000	7 500	8 000	8 500	9 000	9 500
	or Less	TO LESS THAN 5 500	TO LESS THAN 6 000	TO LESS THAN 6 500	TO LESS THAN 7 000	TO LESS THAN 7 500	TO LESS THAN 8 000	TO LESS THAN 8 500	TO LESS THAN 9 000	TO LESS THAN 9 500	TO AND INCL 10 000
LESS THAN 8.50	38,200	38,400	38,700	38,900	39,200	39,400	39,700	39,900	40,200	40,400	40,700
8.50 TO LESS THAN 8.75	38,500	38,800	39,000	39,300	39,600	39,800	40,100	40,400	40,700	40,900	41,200
8.75 TO LESS THAN 9.00	38,800	39,100	39,400	39,700	40,000	40,300	40,600	40,900	41,200	41,400	41,700
9.00 TO LESS THAN 9.25	39,100	39,400	39,700	40,000	40,400	40,700	41,000	41,300	41,600	41,900	42,200
9.25 TO LESS THAN 9.50	39,400	39,800	40,100	40,400	40,800	41,100	41,500	41,800	42,100	42,400	42,700
9.50 TO LESS THAN 9.75	39,700	40,100	40,400	40,800	41,200	41,600	41,900	42,200	42,600	42,900	43,200
9.75 TO LESS THAN 10.00	40,000	40,400	40,800	41,200	41,600	42,000	42,400	42,700	43,100	43,400	43,800
10.00 TO LESS THAN 10.25	40,400	40,800	41,200	41,600	42,000	42,400	42,800	43,200	43,600	43,900	44,300
10.25 TO LESS THAN 10.50	40,700	41,100	41,500	42,000	42,400	42,800	43,200	43,600	44,000	44,400	44,800
10.50 TO LESS THAN 10.75	41,000	41,400	41,800	42,400	42,800	43,200	43,700	44,100	44,500	44,900	45,300
10.75 TO LESS THAN 11.00	41,400	41,800	42,200	42,700	43,200	43,700	44,100	44,600	45,000	45,500	45,900
11.00 TO LESS THAN 11.25	41,700	42,200	42,600	43,100	43,600	44,100	44,500	45,000	45,500	46,000	46,500
11.25 TO LESS THAN 11.50	42,000	42,500	43,000	43,500	44,000	44,500	45,000	45,500	46,000	46,500	47,000
11.50 TO LESS THAN 11.75	42,500	43,000	43,500	44,000	44,500	45,000	45,500	46,000	46,500	47,000	47,500
11.75 AND OVER	43,000	43,500	44,000	44,500	45,000	45,500	46,000	46,500	47,000	47,500	48,000

VEHICLE WEIGHT TABLE 9

ALLOWABLE GROSS WEIGHT ON A VEHICLE WITH SIX AXLES (KILOGRAMS)  
 INTER-VEHICLE-UNIT DISTANCE, LESS THAN 2.1 METRES  
 (OR INTRA-VEHICLE-UNIT DISTANCE)  
 FRONT AXLE WEIGHT, (KILOGRAMS)

BASE LENGTH, (METRES)	5 000	5 001	5 500	6 000	6 500	7 000	7 500	8 000	8 500	9 000	9 500
	or Less	TO LESS THAN 5 500	TO LESS THAN 6 000	TO LESS THAN 6 500	TO LESS THAN 7 000	TO LESS THAN 7 500	TO LESS THAN 8 000	TO LESS THAN 8 500	TO LESS THAN 9 000	TO LESS THAN 9 500	TO AND INCL 10 000
LESS THAN 9.50	35,800	36,100	36,400	36,800	37,100	37,400	37,700	38,100	38,400	38,700	39,000
9.50 TO LESS THAN 9.75	36,400	36,700	37,000	37,300	37,600	38,000	38,300	38,600	38,900	39,300	39,600
9.75 TO LESS THAN 10.00	36,900	37,200	37,600	37,900	38,200	38,500	38,900	39,200	39,500	39,800	40,200
10.00 TO LESS THAN 10.25	37,500	37,800	38,100	38,400	38,800	39,100	39,400	39,700	40,100	40,400	40,800
10.25 TO LESS THAN 10.50	38,000	38,400	38,700	39,000	39,300	39,700	40,000	40,300	40,600	41,000	41,300
10.50 TO LESS THAN 10.75	38,600	38,900	39,200	39,600	39,900	40,200	40,500	40,900	41,200	41,500	41,800
10.75 TO LESS THAN 11.00	39,100	39,500	39,800	40,100	40,500	40,800	41,100	41,400	41,800	42,100	42,400
11.00 TO LESS THAN 11.25	39,700	40,000	40,400	40,700	41,000	41,300	41,700	42,000	42,300	42,700	43,000
11.25 TO LESS THAN 11.50	40,300	40,600	40,900	41,300	41,600	41,900	42,200	42,600	42,900	43,200	43,500
11.50 TO LESS THAN 11.75	40,800	41,200	41,500	41,800	42,100	42,500	42,800	43,100	43,500	43,800	44,100
11.75 TO LESS THAN 12.00	41,400	41,700	42,000	42,400	42,700	43,000	43,400	43,700	44,000	44,400	44,700
12.00 TO LESS THAN 12.25	41,900	42,300	42,600	42,900	43,300	43,600	43,900	44,300	44,600	44,900	45,300
12.25 TO LESS THAN 12.50	42,500	42,800	43,200	43,500	43,800	44,200	44,500	44,800	45,200	45,500	45,800
12.50 TO LESS THAN 12.75	43,100	43,400	43,700	44,100	44,400	44,700	45,100	45,400	45,700	46,000	46,400
12.75 TO LESS THAN 13.00	43,600	44,000	44,300	44,600	45,000	45,300	45,600	45,900	46,300	46,600	46,900
13.00 TO LESS THAN 13.25	44,200	44,500	44,800	45,200	45,500	45,800	46,200	46,500	46,800	47,200	47,500
13.25 TO LESS THAN 13.50	44,700	45,100	45,400	45,700	46,100	46,400	46,700	47,100	47,400	47,700	48,000
13.50 TO LESS THAN 13.75	45,300	45,600	46,000	46,300	46,600	47,000	47,300	47,600	48,000	48,300	48,600
13.75 TO LESS THAN 14.00	45,900	46,200	46,500	46,900	47,200	47,500	47,900	48,200	48,500	48,900	49,200
14.00 TO LESS THAN 14.25	46,400	46,800	47,100	47,400	47,800	48,100	48,400	48,800	49,100	49,400	49,700
14.25 TO LESS THAN 14.50	47,000	47,300	47,600	48,000	48,300	48,700	49,000	49,300	49,700	50,000	50,300
14.50 TO LESS THAN 14.75	47,500	47,900	48,200	48,500	48,900	49,200	49,600	49,900	50,200	50,600	50,900
14.75 TO LESS THAN 15.00	48,200	48,500	48,800	49,200	49,500	49,800	50,200	50,500	50,900	51,200	51,500
15.00 AND OVER	48,500	49,000	49,300	49,700	50,000	50,300	50,700	51,000	51,400	51,700	52,000

VEHICLE WEIGHT TABLE 10

ALLOWABLE GROSS WEIGHT ON A VEHICLE WITH SIX AXLES (KILOGRAMS)  
 INTER-VEHICLE-UNIT DISTANCE, 2.1 METRES TO LESS THAN 2.4 METRES  
 (OR INTRA-VEHICLE-UNIT DISTANCE)  
 FRONT AXLE WEIGHT, (KILOGRAMS)

BASE LENGTH, (METRES)	5 000	5 001	5 500	6 000	6 500	7 000	7 500	8 000	8 500	9 000	9 500
	or Less	TO LESS THAN 5 500	TO LESS THAN 6 000	TO LESS THAN 6 500	TO LESS THAN 7 000	TO LESS THAN 7 500	TO LESS THAN 8 000	TO LESS THAN 8 500	TO LESS THAN 9 000	TO LESS THAN 9 500	TO AND INCL 10 000
LESS THAN 9.50	37,000	37,300	37,600	37,900	38,200	38,500	38,900	39,200	39,500	39,800	40,100
9.50 TO LESS THAN 9.75	37,500	37,800	38,100	38,500	38,800	39,100	39,400	39,700	40,000	40,400	40,700
9.75 TO LESS THAN 10.00	38,100	38,400	38,700	39,000	39,300	39,600	40,000	40,300	40,600	40,900	41,200
10.00 TO LESS THAN 10.25	38,600	38,900	39,200	39,600	39,900	40,200	40,500	40,800	41,200	41,500	41,800
10.25 TO LESS THAN 10.50	39,200	39,500	39,800	40,100	40,400	40,800	41,100	41,400	41,700	42,000	42,300
10.50 TO LESS THAN 10.75	39,700	40,000	40,400	40,700	41,000	41,300	41,600	41,900	42,300	42,600	42,900
10.75 TO LESS THAN 11.00	40,300	40,600	40,900	41,200	41,500	41,900	42,200	42,500	42,800	43,100	43,400
11.00 TO LESS THAN 11.25	40,800	41,100	41,500	41,800	42,100	42,400	42,700	43,100	43,400	43,700	44,100
11.25 TO LESS THAN 11.50	41,400	41,700	42,000	42,300	42,600	43,000	43,300	43,600	43,900	44,300	44,600
11.50 TO LESS THAN 11.75	41,900	42,200	42,600	42,900	43,200	43,500	43,800	44,200	44,500	44,800	45,100
11.75 TO LESS THAN 12.00	42,500	42,800	43,100	43,400	43,800	44,100	44,400	44,700	45,000	45,400	45,700
12.00 TO LESS THAN 12.25	43,000	43,300	43,700	44,000	44,300	44,600	45,000	45,300	45,600	45,900	46,200
12.25 TO LESS THAN 12.50	43,600	43,900	44,200	44,500	44,900	45,200	45,500	45,800	46,200	46,500	46,800
12.50 TO LESS THAN 12.75	44,100	44,400	44,800	45,100	45,400	45,700	46,100	46,400	46,700	47,000	47,300
12.75 TO LESS THAN 13.00	44,700	45,000	45,300	45,600	46,000	46,300	46,600	46,900	47,300	47,600	47,900
13.00 TO LESS THAN 13.25	45,200	45,500	45,900	46,200	46,500	46,800	47,200	47,500	47,800	48,100	48,400
13.25 TO LESS THAN 13.50	45,800	46,100	46,400	46,700	47,100	47,400	47,700	48,100	48,400	48,700	49,000
13.50 TO LESS THAN 13.75	46,300	46,600	47,000	47,300	47,600	48,000	48,300	48,600	48,900	49,300	49,600
13.75 TO LESS THAN 14.00	46,900	47,200	47,500	47,900	48,200	48,500	48,800	49,200	49,500	49,800	50,200
14.00 TO LESS THAN 14.25	47,400	47,700	48,100	48,400	48,700	49,100	49,400	49,700	50,000	50,400	50,700
14.25 TO LESS THAN 14.50	48,000	48,300	48,600	49,000	49,300	49,600	49,900	50,300	50,600	50,900	51,300
14.50 TO LESS THAN 14.75	48,500	48,900	49,200	49,500	49,800	50,200	50,500	50,800	51,200	51,500	51,800
14.75 TO LESS THAN 15.00	49,100	49,400	49,700	50,100	50,400	50,700	51,100	51,400	51,700	52,000	52,400
15.00 AND OVER	49,400	49,900	50,300	50,700	51,000	51,300	51,600	52,000	52,300	52,600	53,000

VEHICLE WEIGHT TABLE 11

ALLOWABLE GROSS WEIGHT ON A VEHICLE WITH SIX AXLES (KILOGRAMS)  
 INTER-VEHICLE-UNIT DISTANCE, 2.4 METRES TO LESS THAN 2.7 METRES  
 (OR INTRA-VEHICLE-UNIT DISTANCE)  
 FRONT AXLE WEIGHT, (KILOGRAMS)

BASE LENGTH, (METRES)	5 000	5 001	5 500	6 000	6 500	7 000	7 500	8 000	8 500	9 000	9 500
	or Less	TO LESS THAN 5 500	TO LESS THAN 6 000	TO LESS THAN 6 500	TO LESS THAN 7 000	TO LESS THAN 7 500	TO LESS THAN 8 000	TO LESS THAN 8 500	TO LESS THAN 9 000	TO LESS THAN 9 500	TO AND INCL 10 000
LESS THAN 9.50	37,900	38,200	38,500	38,700	39,000	39,300	39,600	39,900	40,200	40,500	40,700
9.50 TO LESS THAN 9.75	38,400	38,700	39,000	39,300	39,600	39,900	40,200	40,500	40,800	41,100	41,400
9.75 TO LESS THAN 10.00	39,000	39,300	39,600	39,900	40,100	40,400	40,700	41,000	41,300	41,600	41,900
10.00 TO LESS THAN 10.25	39,500	39,800	40,100	40,400	40,700	41,000	41,300	41,600	41,900	42,200	42,500
10.25 TO LESS THAN 10.50	40,100	40,400	40,700	41,000	41,300	41,600	41,900	42,200	42,500	42,800	43,100
10.50 TO LESS THAN 10.75	40,600	40,900	41,200	41,500	41,800	42,100	42,400	42,700	43,000	43,300	43,600
10.75 TO LESS THAN 11.00	41,200	41,500	41,800	42,100	42,400	42,700	43,000	43,300	43,600	43,900	44,200
11.00 TO LESS THAN 11.25	41,700	42,000	42,300	42,600	42,900	43,200	43,500	43,800	44,200	44,500	44,800
11.25 TO LESS THAN 11.50	42,200	42,600	42,900	43,200	43,500	43,800	44,100	44,400	44,700	45,000	45,300
11.50 TO LESS THAN 11.75	42,800	43,100	43,400	43,700	44,000	44,300	44,700	45,000	45,300	45,600	45,900
11.75 TO LESS THAN 12.00	43,300	43,700	44,000	44,300	44,600	44,900	45,200	45,500	45,800	46,200	46,500
12.00 TO LESS THAN 12.25	43,900	44,200	44,500	44,800	45,100	45,500	45,800	46,100	46,400	46,700	47,100
12.25 TO LESS THAN 12.50	44,400	44,800	45,100	45,400	45,700	46,000	46,300	46,600	47,000	47,300	47,600
12.50 TO LESS THAN 12.75	45,000	45,300	45,600	45,900	46,300	46,600	46,900	47,200	47,500	47,800	48,100
12.75 TO LESS THAN 13.00	45,500	45,800	46,200	46,500	46,800	47,100	47,500	47,800	48,100	48,400	48,700

13.00 TO LESS THAN 13.25	46,100	46,400	46,700	47,000	47,400	47,700	48,000	48,300	48,700	49,000	49,400
13.25 TO LESS THAN 13.50	46,600	46,900	47,300	47,600	47,900	48,200	48,600	48,900	49,200	49,500	49,800
13.50 TO LESS THAN 13.75	47,200	47,500	47,800	48,200	48,500	48,800	49,100	49,500	49,800	50,100	50,500
13.75 TO LESS THAN 14.00	47,700	48,000	48,400	48,700	49,000	49,400	49,700	50,000	50,300	50,700	51,000
14.00 TO LESS THAN 14.25	48,300	48,600	48,900	49,300	49,600	49,900	50,200	50,600	50,900	51,200	51,600
14.25 TO LESS THAN 14.50	48,800	49,100	49,500	49,800	50,100	50,500	50,800	51,100	51,500	51,800	52,100
14.50 TO LESS THAN 14.75	49,400	49,700	50,000	50,400	50,700	51,000	51,400	51,700	52,000	52,400	52,700
14.75 TO LESS THAN 15.00	49,900	50,200	50,600	50,900	51,300	51,600	51,900	52,300	52,600	52,900	53,300
15.00 AND OVER	50,300	50,800	51,200	51,500	51,800	52,200	52,500	52,800	53,200	53,500	53,800

VEHICLE WEIGHT TABLE 12

ALLOWABLE GROSS WEIGHT ON A VEHICLE WITH SIX AXLES (KILOGRAMS)  
 INTER-VEHICLE-UNIT DISTANCE, 2.7 METRES TO LESS THAN 3.0 METRES  
 (OR INTRA-VEHICLE-UNIT DISTANCE)  
 FRONT AXLE WEIGHT, (KILOGRAMS)

BASE LENGTH, (METRES)	5 000 or Less	5 001 TO LESS THAN 5 500	5 500 TO LESS THAN 6 000	6 000 TO LESS THAN 6 500	6 500 TO LESS THAN 7 000	7 000 TO LESS THAN 7 500	7 500 TO LESS THAN 8 000	8 000 TO LESS THAN 8 500	8 500 TO LESS THAN 9 000	9 000 TO LESS THAN 9 500	9 500 TO AND INCL 10 000
LESS THAN 9.50	38,500	38,800	39,100	39,400	39,700	40,000	40,200	40,500	40,800	41,100	41,400
9.50 TO LESS THAN 9.75	39,100	39,400	39,700	39,900	40,200	40,500	40,800	41,100	41,400	41,700	41,900
9.75 TO LESS THAN 10.00	39,600	39,900	40,200	40,500	40,800	41,100	41,400	41,700	42,000	42,200	42,500
10.00 TO LESS THAN 10.25	40,200	40,500	40,800	41,100	41,400	41,600	41,900	42,200	42,500	42,800	43,100
10.25 TO LESS THAN 10.50	40,700	41,000	41,300	41,600	41,900	42,200	42,500	42,800	43,100	43,400	43,700
10.50 TO LESS THAN 10.75	41,300	41,600	41,900	42,200	42,500	42,800	43,100	43,400	43,700	43,900	44,200
10.75 TO LESS THAN 11.00	41,800	42,100	42,400	42,700	43,000	43,300	43,600	43,900	44,200	44,500	44,800
11.00 TO LESS THAN 11.25	42,400	42,700	43,000	43,300	43,600	43,900	44,200	44,500	44,800	45,100	45,400
11.25 TO LESS THAN 11.50	43,000	43,300	43,600	43,900	44,200	44,500	44,800	45,100	45,400	45,700	46,000
11.50 TO LESS THAN 11.75	43,500	43,800	44,100	44,400	44,700	45,000	45,300	45,600	45,900	46,200	46,500
11.75 TO LESS THAN 12.00	44,100	44,400	44,700	45,000	45,300	45,600	45,900	46,200	46,500	46,800	47,100
12.00 TO LESS THAN 12.25	44,600	44,900	45,200	45,500	45,800	46,100	46,400	46,800	47,100	47,400	47,800
12.25 TO LESS THAN 12.50	45,200	45,500	45,800	46,100	46,400	46,700	47,000	47,300	47,600	47,900	48,200
12.50 TO LESS THAN 12.75	45,700	46,000	46,300	46,600	47,000	47,300	47,600	47,900	48,200	48,500	48,800
12.75 TO LESS THAN 13.00	46,300	46,600	46,900	47,200	47,500	47,800	48,100	48,400	48,800	49,100	49,400
13.00 TO LESS THAN 13.25	46,800	47,100	47,400	47,800	48,100	48,400	48,700	49,000	49,300	49,600	49,900
13.25 TO LESS THAN 13.50	47,400	47,700	48,000	48,300	48,600	48,900	49,300	49,600	49,900	50,200	50,500
13.50 TO LESS THAN 13.75	47,900	48,200	48,600	48,900	49,200	49,500	49,800	50,100	50,500	50,800	51,100
13.75 TO LESS THAN 14.00	48,500	48,800	49,100	49,400	49,700	50,100	50,400	50,700	51,000	51,400	51,700
14.00 TO LESS THAN 14.25	49,000	49,300	49,700	50,000	50,300	50,600	51,000	51,300	51,600	51,900	52,300
14.25 TO LESS THAN 14.50	49,600	49,900	50,200	50,500	50,900	51,200	51,500	51,800	52,200	52,500	52,800
14.50 TO LESS THAN 14.75	50,100	50,400	50,800	51,100	51,400	51,800	52,100	52,400	52,700	53,100	53,400
14.75 TO LESS THAN 15.00	50,700	51,000	51,300	51,700	52,000	52,300	52,600	53,000	53,300	53,600	54,000
15.00 AND OVER	51,200	51,500	51,800	52,200	52,500	52,800	53,200	53,500	53,900	54,200	54,500

VEHICLE WEIGHT TABLE 13

ALLOWABLE GROSS WEIGHT ON A VEHICLE WITH SIX AXLES (KILOGRAMS)  
 INTER-VEHICLE-UNIT DISTANCE, 3.0 METRES TO LESS THAN 3.3 METRES  
 (OR INTRA-VEHICLE-UNIT DISTANCE)  
 FRONT AXLE WEIGHT, (KILOGRAMS)

BASE LENGTH, (METRES)	5 000 or Less	5 001 TO LESS THAN 5 500	5 500 TO LESS THAN 6 000	6 000 TO LESS THAN 6 500	6 500 TO LESS THAN 7 000	7 000 TO LESS THAN 7 500	7 500 TO LESS THAN 8 000	8 000 TO LESS THAN 8 500	8 500 TO LESS THAN 9 000	9 000 TO LESS THAN 9 500	9 500 TO AND INCL 10 000
LESS THAN 9.50	39,200	39,500	39,700	40,000	40,300	40,600	40,900	41,200	41,500	41,800	42,100
9.50 TO LESS THAN 9.75	39,700	40,000	40,300	40,600	40,900	41,200	41,500	41,800	42,100	42,400	42,700
9.75 TO LESS THAN 10.00	40,300	40,600	40,800	41,100	41,400	41,700	42,000	42,300	42,600	42,900	43,200

10.00 TO LESS THAN 10.25	40,800	41,100	41,400	41,700	42,000	42,300	42,600	42,900	43,200	43,500	43,800
10.25 TO LESS THAN 10.50	41,400	41,700	41,900	42,200	42,500	42,800	43,200	43,500	43,800	44,100	44,400
10.50 TO LESS THAN 10.75	41,900	42,200	42,500	42,800	43,100	43,400	43,700	44,000	44,300	44,600	44,900
10.75 TO LESS THAN 11.00	42,400	42,800	43,000	43,300	43,700	44,000	44,300	44,600	44,900	45,200	45,500
11.00 TO LESS THAN 11.25	43,000	43,300	43,600	43,900	44,200	44,500	44,900	45,200	45,500	45,800	46,100
11.25 TO LESS THAN 11.50	43,500	43,900	44,200	44,500	44,800	45,100	45,400	45,700	46,000	46,300	46,600
11.50 TO LESS THAN 11.75	44,100	44,400	44,700	45,000	45,300	45,600	46,000	46,300	46,600	46,900	47,200
11.75 TO LESS THAN 12.00	44,600	45,000	45,300	45,600	45,900	46,200	46,600	46,900	47,200	47,500	47,800
12.00 TO LESS THAN 12.25	45,200	45,500	45,800	46,100	46,500	46,800	47,100	47,400	47,800	48,100	48,400
12.25 TO LESS THAN 12.50	45,700	46,100	46,400	46,700	47,000	47,300	47,700	48,000	48,300	48,600	48,900
12.50 TO LESS THAN 12.75	46,300	46,600	46,900	47,200	47,600	47,900	48,300	48,600	48,900	49,200	49,500
12.75 TO LESS THAN 13.00	46,800	47,200	47,500	47,800	48,100	48,400	48,800	49,100	49,500	49,800	50,100
13.00 TO LESS THAN 13.25	47,400	47,700	48,100	48,400	48,700	49,000	49,400	49,700	50,000	50,300	50,600
13.25 TO LESS THAN 13.50	47,900	48,300	48,600	48,900	49,300	49,600	50,000	50,300	50,600	50,900	51,200
13.50 TO LESS THAN 13.75	48,500	48,800	49,200	49,500	49,800	50,100	50,500	50,800	51,100	51,400	51,700
13.75 TO LESS THAN 14.00	49,000	49,400	49,700	50,000	50,400	50,700	51,100	51,400	51,700	52,000	52,300
14.00 TO LESS THAN 14.25	49,600	49,900	50,300	50,600	50,900	51,200	51,700	52,000	52,300	52,600	52,900
14.25 TO LESS THAN 14.50	50,100	50,500	50,800	51,100	51,500	51,800	52,200	52,500	52,900	53,200	53,500
14.50 TO LESS THAN 14.75	50,700	51,000	51,400	51,700	52,100	52,400	52,800	53,100	53,500	53,800	54,100
14.75 TO LESS THAN 15.00	51,200	51,600	52,000	52,300	52,600	52,900	53,400	53,700	54,100	54,400	54,700
15.00 AND OVER	51,700	52,100	52,500	52,800	53,200	53,500	53,900	54,200	54,600	54,900	55,200

VEHICLE WEIGHT TABLE 14

ALLOWABLE GROSS WEIGHT ON A VEHICLE WITH SIX AXLES (KILOGRAMS)  
 INTER-VEHICLE-UNIT DISTANCE, 3.3 METRES TO LESS THAN 3.6 METRES  
 (OR INTRA-VEHICLE-UNIT DISTANCE)  
 FRONT AXLE WEIGHT, (KILOGRAMS)

BASE LENGTH, (METRES)	5 000	5 001	5 500	6 000	6 500	7 000	7 500	8 000	8 500	9 000	9 500
	or Less	TO LESS THAN 5 500	TO LESS THAN 6 000	TO LESS THAN 6 500	TO LESS THAN 7 000	TO LESS THAN 7 500	TO LESS THAN 8 000	TO LESS THAN 8 500	TO LESS THAN 9 000	TO LESS THAN 9 500	TO AND INCL 10 000
LESS THAN 9.50	39,800	40,100	40,400	40,600	40,900	41,200	41,500	41,700	42,000	42,300	42,600
9.50 TO LESS THAN 9.75	40,400	40,600	40,900	41,200	41,500	41,800	42,000	42,300	42,600	42,900	43,200
9.75 TO LESS THAN 10.00	40,900	41,200	41,500	41,800	42,000	42,300	42,600	42,900	43,200	43,400	43,700
10.00 TO LESS THAN 10.25	41,500	41,800	42,000	42,300	42,600	42,900	43,200	43,500	43,700	44,000	44,300
10.25 TO LESS THAN 10.50	42,000	42,300	42,600	42,900	43,200	43,500	43,700	44,000	44,300	44,600	44,900
10.50 TO LESS THAN 10.75	42,600	42,900	43,100	43,400	43,700	44,000	44,300	44,600	44,900	45,200	45,500
10.75 TO LESS THAN 11.00	43,100	43,400	43,700	44,000	44,300	44,600	44,900	45,200	45,500	45,700	46,000
11.00 TO LESS THAN 11.25	43,700	44,000	44,300	44,600	44,900	45,100	45,400	45,700	46,000	46,300	46,600
11.25 TO LESS THAN 11.50	44,200	44,500	44,800	45,100	45,400	45,700	46,000	46,300	46,600	46,900	47,200
11.50 TO LESS THAN 11.75	44,800	45,100	45,400	45,700	46,000	46,300	46,600	46,900	47,200	47,500	47,800
11.75 TO LESS THAN 12.00	45,300	45,600	45,900	46,200	46,500	46,800	47,100	47,400	47,700	48,000	48,300
12.00 TO LESS THAN 12.25	45,900	46,200	46,500	46,800	47,100	47,400	47,700	48,000	48,300	48,600	48,900
12.25 TO LESS THAN 12.50	46,400	46,700	47,100	47,400	47,700	48,000	48,300	48,600	48,900	49,200	49,500
12.50 TO LESS THAN 12.75	47,000	47,300	47,600	47,900	48,200	48,500	48,800	49,100	49,500	49,800	50,100
12.75 TO LESS THAN 13.00	47,500	47,900	48,200	48,500	48,800	49,100	49,400	49,700	50,000	50,300	50,600
13.00 TO LESS THAN 13.25	48,100	48,400	48,700	49,000	49,300	49,700	50,000	50,300	50,600	50,900	51,200
13.25 TO LESS THAN 13.50	48,700	49,000	49,300	49,600	49,900	50,200	50,500	50,900	51,200	51,500	51,900
13.50 TO LESS THAN 13.75	49,200	49,500	49,800	50,200	50,500	50,800	51,100	51,400	51,700	52,100	52,400
13.75 TO LESS THAN 14.00	49,800	50,100	50,400	50,700	51,000	51,400	51,700	52,000	52,300	52,600	52,900
14.00 TO LESS THAN 14.25	50,300	50,600	51,000	51,300	51,600	51,900	52,200	52,600	52,900	53,200	53,600
14.25 TO LESS THAN 14.50	50,900	51,200	51,500	51,800	52,200	52,500	52,800	53,100	53,500	53,800	54,200
14.50 TO LESS THAN 14.75	51,400	51,700	52,100	52,400	52,700	53,000	53,400	53,700	54,000	54,400	54,700
14.75 TO LESS THAN 15.00	52,000	52,300	52,600	53,000	53,300	53,600	53,900	54,300	54,600	54,900	55,300
15.00 AND OVER	52,000	52,500	53,000	53,300	53,600	54,000	54,300	54,600	55,000	55,300	55,600

VEHICLE WEIGHT TABLE 15

ALLOWABLE GROSS WEIGHT ON A VEHICLE WITH SIX AXLES (KILOGRAMS)  
 INTER-VEHICLE-UNIT DISTANCE, 3.6 METRES OR MORE  
 (OR INTRA-VEHICLE-UNIT DISTANCE)  
 FRONT AXLE WEIGHT, (KILOGRAMS)

BASE LENGTH, (METRES)	5 000 or Less	5 001 TO LESS THAN 5 500	5 500 TO LESS THAN 6 000	6 000 TO LESS THAN 6 500	6 500 TO LESS THAN 7 000	7 000 TO LESS THAN 7 500	7 500 TO LESS THAN 8 000	8 000 TO LESS THAN 8 500	8 500 TO LESS THAN 9 000	9 000 TO LESS THAN 9 500	9 500 TO AND INCL 10 000
LESS THAN 9.50	40,400	40,700	40,900	41,200	41,400	41,700	41,900	42,200	42,400	42,700	42,900
9.50 TO LESS THAN 9.75	41,000	41,200	41,500	41,700	42,000	42,300	42,500	42,800	43,000	43,300	43,500
9.75 TO LESS THAN 10.00	41,500	41,800	42,000	42,300	42,600	42,800	43,100	43,300	43,600	43,900	44,100
10.00 TO LESS THAN 10.25	42,100	42,300	42,600	42,900	43,100	43,400	43,700	43,900	44,200	44,400	44,700
10.25 TO LESS THAN 10.50	42,600	42,900	43,200	43,400	43,700	44,000	44,200	44,500	44,800	45,000	45,300
10.50 TO LESS THAN 10.75	43,200	43,400	43,700	44,000	44,300	44,500	44,800	45,100	45,300	45,600	45,900
10.75 TO LESS THAN 11.00	43,700	44,000	44,300	44,600	44,800	45,100	45,400	45,600	45,900	46,200	46,500
11.00 TO LESS THAN 11.25	44,300	44,600	44,800	45,100	45,400	45,700	45,900	46,200	46,500	46,800	47,100
11.25 TO LESS THAN 11.50	44,800	45,100	45,400	45,700	46,000	46,200	46,500	46,800	47,100	47,400	47,700
11.50 TO LESS THAN 11.75	45,400	45,700	46,000	46,200	46,500	46,800	47,100	47,400	47,700	47,900	48,200
11.75 TO LESS THAN 12.00	45,900	46,200	46,500	46,800	47,100	47,400	47,700	48,000	48,200	48,500	48,800
12.00 TO LESS THAN 12.25	46,500	46,800	47,100	47,400	47,700	47,900	48,200	48,500	48,800	49,100	49,400
12.25 TO LESS THAN 12.50	47,000	47,300	47,600	47,900	48,200	48,500	48,800	49,100	49,400	49,700	50,000
12.50 TO LESS THAN 12.75	47,600	47,900	48,200	48,500	48,800	49,100	49,400	49,700	50,000	50,300	50,600
12.75 TO LESS THAN 13.00	48,200	48,500	48,800	49,100	49,400	49,700	50,000	50,300	50,600	50,900	51,200
13.00 TO LESS THAN 13.25	48,700	49,000	49,300	49,600	49,900	50,200	50,500	50,800	51,100	51,400	51,700
13.25 TO LESS THAN 13.50	49,300	49,600	49,900	50,200	50,500	50,800	51,100	51,400	51,700	52,000	52,300
13.50 TO LESS THAN 13.75	49,800	50,100	50,400	50,700	51,100	51,400	51,700	52,000	52,300	52,600	52,900
13.75 TO LESS THAN 14.00	50,400	50,700	51,000	51,300	51,600	51,900	52,200	52,600	52,900	53,200	53,600
14.00 TO LESS THAN 14.25	50,900	51,200	51,500	51,900	52,200	52,500	52,800	53,100	53,500	53,800	54,100
14.25 TO LESS THAN 14.50	51,500	51,800	52,100	52,400	52,700	53,100	53,400	53,700	54,000	54,400	54,700
14.50 TO LESS THAN 14.75	52,000	52,300	52,700	53,000	53,300	53,600	54,000	54,300	54,600	54,900	55,300
14.75 TO LESS THAN 15.00	52,000	52,500	53,000	53,500	53,900	54,200	54,500	54,900	55,200	55,500	55,800
15.00 AND OVER	52,000	52,500	53,000	53,500	54,000	54,500	55,000	55,300	55,600	56,000	56,300

VEHICLE WEIGHT TABLE 16

ALLOWABLE GROSS WEIGHT ON A VEHICLE WITH SEVEN AXLES (KILOGRAMS)  
 INTER-VEHICLE-UNIT DISTANCE, LESS THAN 2.1 METRES  
 FRONT AXLE WEIGHT, (KILOGRAMS)

BASE LENGTH, (METRES)	5 000 or Less	5 001 TO LESS THAN 5 500	5 500 TO LESS THAN 6 000	6 000 TO LESS THAN 6 500	6 500 TO LESS THAN 7 000	7 000 TO LESS THAN 7 500	7 500 TO LESS THAN 8 000	8 000 TO LESS THAN 8 500	8 500 TO LESS THAN 9 000	9 000 TO LESS THAN 9 500	9 500 TO AND INCL 10 000
LESS THAN 13.50	45,500	46,000	46,500	47,000	47,500	48,000	48,400	48,900	49,400	49,900	50,400
13.50 TO LESS THAN 13.75	46,000	46,400	46,900	47,400	47,900	48,400	48,800	49,300	49,800	50,300	50,800
13.75 TO LESS THAN 14.00	46,400	46,900	47,300	47,800	48,300	48,800	49,200	49,700	50,200	50,700	51,200
14.00 TO LESS THAN 14.25	46,900	47,300	47,800	48,200	48,700	49,200	49,600	50,100	50,600	51,000	51,500
14.25 TO LESS THAN 14.50	47,400	47,800	48,200	48,600	49,100	49,600	50,000	50,500	51,000	51,400	51,900
14.50 TO LESS THAN 14.75	47,800	48,200	48,600	49,100	49,500	50,000	50,400	50,900	51,300	51,800	52,200
14.75 TO LESS THAN 15.00	48,300	48,600	49,000	49,500	49,900	50,400	50,800	51,300	51,700	52,200	52,600
15.00 TO LESS THAN 15.25	48,700	49,100	49,400	49,900	50,300	50,800	51,200	51,700	52,100	52,600	53,000
15.25 TO LESS THAN 15.50	49,200	49,500	49,900	50,300	50,700	51,200	51,600	52,100	52,500	52,900	53,300
15.50 TO LESS THAN 15.75	49,700	50,000	50,300	50,700	51,100	51,600	52,000	52,500	52,900	53,300	53,700
15.75 TO LESS THAN 16.00	50,100	50,400	50,700	51,100	51,600	52,000	52,400	52,800	53,300	53,700	54,100
16.00 TO LESS THAN 16.25	50,600	50,800	51,100	51,600	52,000	52,400	52,800	53,300	53,700	54,100	54,600
16.25 TO LESS THAN 16.50	51,000	51,300	51,600	52,000	52,400	52,800	53,200	53,700	54,100	54,500	55,000
16.50 TO LESS THAN 16.75	51,400	51,700	52,000	52,400	52,800	53,200	53,700	54,100	54,500	54,900	55,400
16.75 TO LESS THAN 17.00	51,800	52,100	52,400	52,800	53,200	53,700	54,100	54,500	54,900	55,300	55,800

17.00 TO LESS THAN 17.25	52,200	52,500	52,800	53,300	53,700	54,100	54,500	54,900	55,300	55,700	56,200
17.25 TO LESS THAN 17.50	52,700	53,000	53,300	53,700	54,100	54,500	54,900	55,300	55,700	56,200	56,600
17.50 TO LESS THAN 17.75	53,100	53,400	53,700	54,100	54,500	54,900	55,300	55,700	56,200	56,600	57,000
17.75 TO LESS THAN 18.00	53,500	53,800	54,100	54,500	54,900	55,300	55,700	56,200	56,600	57,000	57,400
18.00 TO LESS THAN 18.25	53,900	54,200	54,500	55,000	55,400	55,800	56,200	56,600	57,000	57,400	57,800
18.25 TO LESS THAN 18.50	54,300	54,700	55,000	55,400	55,800	56,200	56,600	57,000	57,400	57,800	58,200
18.50 TO LESS THAN 18.75	54,800	55,100	55,400	55,800	56,200	56,600	57,000	57,400	57,800	58,200	58,600
18.75 TO LESS THAN 19.00	55,200	55,500	55,900	56,200	56,600	57,000	57,400	57,800	58,200	58,600	59,000
19.00 TO LESS THAN 19.25	55,600	55,900	56,300	56,600	57,000	57,400	57,800	58,200	58,600	59,000	59,400
19.25 AND OVER	56,000	56,300	56,700	57,000	57,400	57,800	58,200	58,600	59,000	59,400	59,800

VEHICLE WEIGHT TABLE 17

ALLOWABLE GROSS WEIGHT ON A VEHICLE WITH SEVEN AXLES (KILOGRAMS)  
 INTER-VEHICLE-UNIT DISTANCE, 2.1 METRES TO LESS THAN 2.4 METRES  
 FRONT AXLE WEIGHT, (KILOGRAMS)

BASE LENGTH, (METRES)	5 000	5 001	5 500	6 000	6 500	7 000	7 500	8 000	8 500	9 000	9 500
	or Less	TO LESS THAN 5 500	TO LESS THAN 6 000	TO LESS THAN 6 500	TO LESS THAN 7 000	TO LESS THAN 7 500	TO LESS THAN 8 000	TO LESS THAN 8 500	TO LESS THAN 9 000	TO LESS THAN 9 500	AND INCL 10 000
LESS THAN 13.50	46,500	47,000	47,500	47,900	48,400	48,800	49,200	49,600	50,100	50,500	50,900
13.50 TO LESS THAN 13.75	46,900	47,400	47,900	48,300	48,800	49,200	49,600	50,100	50,500	50,900	51,300
13.75 TO LESS THAN 14.00	47,300	47,800	48,300	48,700	49,200	49,600	50,000	50,500	50,900	51,300	51,700
14.00 TO LESS THAN 14.25	47,800	48,200	48,700	49,200	49,600	50,000	50,400	50,900	51,300	51,700	52,100
14.25 TO LESS THAN 14.50	48,200	48,700	49,100	49,600	50,000	50,400	50,900	51,300	51,700	52,100	52,500
14.50 TO LESS THAN 14.75	48,600	49,100	49,500	50,000	50,400	50,800	51,300	51,700	52,100	52,500	53,000
14.75 TO LESS THAN 15.00	49,100	49,500	50,000	50,400	50,800	51,200	51,700	52,100	52,500	53,000	53,400
15.00 TO LESS THAN 15.25	49,500	49,900	50,400	50,800	51,200	51,700	52,100	52,500	52,900	53,400	53,800
15.25 TO LESS THAN 15.50	49,900	50,400	50,800	51,200	51,600	52,000	52,500	52,900	53,300	53,800	54,200
15.50 TO LESS THAN 15.75	50,400	50,800	51,200	51,600	52,000	52,500	52,900	53,300	53,800	54,200	54,600
15.75 TO LESS THAN 16.00	50,800	51,200	51,600	52,000	52,500	52,900	53,300	53,700	54,200	54,600	55,000
16.00 TO LESS THAN 16.25	51,300	51,700	52,100	52,500	52,900	53,300	53,700	54,200	54,600	55,000	55,400
16.25 TO LESS THAN 16.50	51,700	52,100	52,500	52,900	53,300	53,800	54,200	54,600	55,000	55,400	55,900
16.50 TO LESS THAN 16.75	52,200	52,600	53,000	53,400	53,800	54,200	54,600	55,000	55,400	55,800	56,300
16.75 TO LESS THAN 17.00	52,600	53,000	53,400	53,800	54,200	54,600	55,000	55,400	55,800	56,200	56,700
17.00 TO LESS THAN 17.25	53,100	53,500	53,900	54,300	54,700	55,100	55,500	55,900	56,200	56,600	57,100
17.25 TO LESS THAN 17.50	53,600	53,900	54,300	54,700	55,100	55,500	55,900	56,300	56,700	57,100	57,500
17.50 TO LESS THAN 17.75	54,000	54,400	54,800	55,200	55,500	55,900	56,300	56,700	57,100	57,500	57,900
17.75 TO LESS THAN 18.00	54,500	54,900	55,200	55,600	56,000	56,400	56,700	57,100	57,500	57,900	58,300
18.00 TO LESS THAN 18.25	54,900	55,300	55,700	56,100	56,400	56,800	57,200	57,500	57,900	58,300	58,700
18.25 TO LESS THAN 18.50	55,400	55,800	56,100	56,500	56,900	57,200	57,600	58,000	58,300	58,700	59,100
18.50 TO LESS THAN 18.75	55,900	56,200	56,600	57,000	57,300	57,700	58,000	58,400	58,700	59,100	59,400
18.75 TO LESS THAN 19.00	56,400	56,700	57,000	57,400	57,700	58,100	58,400	58,800	59,100	59,500	59,900
19.00 TO LESS THAN 19.25	56,900	57,200	57,500	57,800	58,200	58,500	58,800	59,200	59,500	59,900	60,300
19.25 AND OVER	57,300	57,600	57,900	58,200	58,600	58,900	59,200	59,600	59,900	60,300	60,700

VEHICLE WEIGHT TABLE 18

ALLOWABLE GROSS WEIGHT ON A VEHICLE WITH SEVEN AXLES (KILOGRAMS)  
 INTER-VEHICLE-UNIT DISTANCE, 2.4 METRES TO LESS THAN 2.7 METRES  
 FRONT AXLE WEIGHT, (KILOGRAMS)

BASE LENGTH, (METRES)	5 000	5 001	5 500	6 000	6 500	7 000	7 500	8 000	8 500	9 000	9 500
	or Less	TO LESS THAN 5 500	TO LESS THAN 6 000	TO LESS THAN 6 500	TO LESS THAN 7 000	TO LESS THAN 7 500	TO LESS THAN 8 000	TO LESS THAN 8 500	TO LESS THAN 9 000	TO LESS THAN 9 500	AND INCL 10 000
LESS THAN 13.50	47,300	47,800	48,300	48,800	49,200	49,700	50,100	50,600	51,000	51,500	51,900
13.50 TO LESS THAN 13.75	47,700	48,200	48,700	49,200	49,600	50,100	50,500	51,000	51,400	51,900	52,300
13.75 TO LESS THAN 14.00	48,200	48,600	49,100	49,600	50,000	50,500	50,900	51,400	51,800	52,300	52,700

14.00 TO LESS THAN 14.25	48,600	49,100	49,500	50,000	50,400	50,900	51,300	51,800	52,200	52,700	53,100
14.25 TO LESS THAN 14.50	49,000	49,500	49,900	50,400	50,800	51,300	51,700	52,200	52,600	53,100	53,500
14.50 TO LESS THAN 14.75	49,400	49,900	50,300	50,800	51,200	51,700	52,100	52,600	53,000	53,500	53,900
14.75 TO LESS THAN 15.00	49,900	50,300	50,800	51,200	51,700	52,100	52,600	53,000	53,500	53,900	54,300
15.00 TO LESS THAN 15.25	50,300	50,700	51,200	51,600	52,100	52,500	53,000	53,400	53,900	54,300	54,800
15.25 TO LESS THAN 15.50	50,700	51,100	51,600	52,000	52,500	52,900	53,400	53,800	54,300	54,700	55,200
15.50 TO LESS THAN 15.75	51,100	51,600	52,000	52,400	52,900	53,300	53,800	54,200	54,700	55,100	55,600
15.75 TO LESS THAN 16.00	51,600	52,000	52,400	52,800	53,300	53,700	54,200	54,600	55,100	55,500	56,000
16.00 TO LESS THAN 16.25	52,000	52,400	52,800	53,300	53,700	54,100	54,600	55,000	55,500	55,900	56,400
16.25 TO LESS THAN 16.50	52,500	52,900	53,300	53,700	54,100	54,600	55,000	55,400	55,900	56,300	56,700
16.50 TO LESS THAN 16.75	52,900	53,300	53,700	54,100	54,600	55,000	55,400	55,900	56,300	56,700	57,100
16.75 TO LESS THAN 17.00	53,400	53,700	54,100	54,500	55,000	55,400	55,800	56,300	56,700	57,100	57,500
17.00 TO LESS THAN 17.25	53,800	54,200	54,500	55,000	55,400	55,800	56,300	56,700	57,100	57,500	58,000
17.25 TO LESS THAN 17.50	54,300	54,600	55,000	55,400	55,800	56,200	56,700	57,100	57,500	58,000	58,400
17.50 TO LESS THAN 17.75	54,700	55,000	55,400	55,800	56,200	56,700	57,100	57,500	57,900	58,400	58,800
17.75 TO LESS THAN 18.00	55,200	55,500	55,800	56,200	56,700	57,100	57,500	57,900	58,400	58,800	59,300
18.00 TO LESS THAN 18.25	55,600	55,900	56,200	56,700	57,100	57,500	57,900	58,300	58,800	59,200	59,600
18.25 TO LESS THAN 18.50	56,100	56,400	56,700	57,100	57,500	57,900	58,300	58,800	59,200	59,600	60,000
18.50 TO LESS THAN 18.75	56,500	56,800	57,100	57,500	57,900	58,300	58,800	59,200	59,600	60,000	60,400
18.75 TO LESS THAN 19.00	57,000	57,300	57,500	57,900	58,300	58,800	59,200	59,600	60,000	60,400	60,800
19.00 TO LESS THAN 19.25	57,400	57,700	57,900	58,300	58,800	59,200	59,600	60,000	60,400	60,800	61,200
19.25 AND OVER	57,900	58,100	58,300	58,700	59,200	59,600	60,000	60,400	60,800	61,200	61,600

VEHICLE WEIGHT TABLE 19

ALLOWABLE GROSS WEIGHT ON A VEHICLE WITH SEVEN AXLES (KILOGRAMS)  
INTER-VEHICLE-UNIT DISTANCE, 2.7 METRES TO LESS THAN 3.0 METRES  
FRONT AXLE WEIGHT, (KILOGRAMS)

BASE LENGTH, (METRES)	5 000	5 001	5 500	6 000	6 500	7 000	7 500	8 000	8 500	9 000	9 500
	or Less	TO LESS THAN 5 500	TO LESS THAN 6 000	TO LESS THAN 6 500	TO LESS THAN 7 000	TO LESS THAN 7 500	TO LESS THAN 8 000	TO LESS THAN 8 500	TO LESS THAN 9 000	TO LESS THAN 9 500	AND INCL 10 000
LESS THAN 14.00	48,700	49,200	49,600	50,000	50,500	50,900	51,300	51,700	52,200	52,600	53,000
14.00 TO LESS THAN 14.25	49,200	49,600	50,100	50,500	50,900	51,300	51,800	52,200	52,600	53,000	53,500
14.25 TO LESS THAN 14.50	49,700	50,100	50,500	50,900	51,400	51,800	52,200	52,600	53,100	53,500	53,900
14.50 TO LESS THAN 14.75	50,100	50,600	51,000	51,400	51,800	52,300	52,700	53,100	53,500	53,900	54,300
14.75 TO LESS THAN 15.00	50,600	51,000	51,400	51,900	52,300	52,700	53,100	53,600	54,000	54,400	54,800
15.00 TO LESS THAN 15.25	51,100	51,500	51,900	52,300	52,800	53,200	53,600	54,000	54,400	54,800	55,300
15.25 TO LESS THAN 15.50	51,500	52,000	52,400	52,800	53,200	53,600	54,000	54,500	54,900	55,300	55,700
15.50 TO LESS THAN 15.75	52,000	52,400	52,800	53,300	53,700	54,100	54,500	54,900	55,300	55,700	56,100
15.75 TO LESS THAN 16.00	52,500	52,900	53,300	53,700	54,100	54,500	55,000	55,400	55,800	56,200	56,600
16.00 TO LESS THAN 16.25	52,900	53,300	53,700	54,100	54,500	54,900	55,300	55,800	56,200	56,600	57,000
16.25 TO LESS THAN 16.50	53,300	53,700	54,100	54,500	54,900	55,300	55,700	56,200	56,600	57,000	57,400
16.50 TO LESS THAN 16.75	53,700	54,100	54,500	54,900	55,300	55,700	56,200	56,600	57,000	57,400	57,800
16.75 TO LESS THAN 17.00	54,100	54,500	54,900	55,300	55,700	56,100	56,600	57,000	57,400	57,800	58,200
17.00 TO LESS THAN 17.25	54,600	54,900	55,300	55,700	56,100	56,500	57,000	57,400	57,800	58,200	58,700
17.25 TO LESS THAN 17.50	55,000	55,300	55,600	56,100	56,500	56,900	57,400	57,800	58,200	58,700	59,100
17.50 TO LESS THAN 17.75	55,400	55,700	56,000	56,500	56,900	57,300	57,800	58,200	58,600	59,100	59,500
17.75 TO LESS THAN 18.00	55,800	56,100	56,400	56,900	57,300	57,700	58,200	58,600	59,000	59,500	59,900
18.00 TO LESS THAN 18.25	56,200	56,500	56,800	57,300	57,700	58,100	58,600	59,000	59,400	59,900	60,300
18.25 TO LESS THAN 18.50	56,600	56,900	57,200	57,600	58,100	58,500	59,000	59,400	59,900	60,300	60,700
18.50 TO LESS THAN 18.75	57,100	57,300	57,600	58,000	58,500	58,900	59,400	59,800	60,300	60,700	61,200
18.75 TO LESS THAN 19.00	57,500	57,700	58,000	58,400	58,900	59,300	59,800	60,200	60,700	61,100	61,600
19.00 TO LESS THAN 19.25	57,900	58,100	58,400	58,800	59,300	59,700	60,200	60,600	61,100	61,500	62,000
19.25 AND OVER	58,300	58,500	58,800	59,200	59,700	60,100	60,600	61,000	61,500	61,900	62,400

VEHICLE WEIGHT TABLE 20

ALLOWABLE GROSS WEIGHT ON A VEHICLE WITH SEVEN AXLES (KILOGRAMS)  
INTER-VEHICLE-UNIT DISTANCE, 3.0 METRES TO LESS THAN 3.3 METRES

BASE LENGTH, (METRES)	FRONT AXLE WEIGHT, (KILOGRAMS)										
	5 000	5 001	5 500	6 000	6 500	7 000	7 500	8 000	8 500	9 000	9 500
	Less	TO	TO	TO	TO	TO	TO	TO	TO	TO	TO
LESS THAN 14.00	49,300	49,700	50,200	50,700	51,100	51,600	52,000	52,500	52,900	53,400	53,800
14.00 TO LESS THAN 14.25	49,700	50,100	50,600	51,000	51,500	52,000	52,400	52,900	53,400	53,800	54,300
14.25 TO LESS THAN 14.50	50,100	50,500	51,000	51,400	51,900	52,400	52,800	53,300	53,800	54,200	54,700
14.50 TO LESS THAN 14.75	50,500	51,000	51,400	51,800	52,300	52,800	53,200	53,700	54,200	54,600	55,100
14.75 TO LESS THAN 15.00	51,000	51,400	51,700	52,200	52,700	53,200	53,600	54,100	54,600	55,000	55,600
15.00 TO LESS THAN 15.25	51,400	51,800	52,100	52,600	53,100	53,600	54,000	54,500	55,000	55,500	56,000
15.25 TO LESS THAN 15.50	51,800	52,200	52,500	53,000	53,500	54,000	54,400	54,900	55,400	55,900	56,400
15.50 TO LESS THAN 15.75	52,200	52,600	52,900	53,400	53,900	54,400	54,900	55,300	55,800	56,300	56,800
15.75 TO LESS THAN 16.00	52,700	53,000	53,300	53,800	54,300	54,800	55,200	55,700	56,200	56,700	57,200
16.00 TO LESS THAN 16.25	53,100	53,400	53,700	54,200	54,700	55,200	55,700	56,100	56,600	57,100	57,500
16.25 TO LESS THAN 16.50	53,500	53,800	54,100	54,600	55,100	55,600	56,100	56,600	57,000	57,500	57,900
16.50 TO LESS THAN 16.75	54,000	54,300	54,600	55,000	55,500	56,000	56,500	57,000	57,400	57,900	58,400
16.75 TO LESS THAN 17.00	54,400	54,700	55,000	55,500	55,900	56,400	56,900	57,400	57,900	58,300	58,800
17.00 TO LESS THAN 17.25	54,900	55,100	55,400	55,900	56,300	56,800	57,300	57,800	58,300	58,700	59,300
17.25 TO LESS THAN 17.50	55,300	55,600	55,800	56,300	56,800	57,200	57,700	58,200	58,700	59,200	59,700
17.50 TO LESS THAN 17.75	55,700	56,000	56,200	56,700	57,200	57,700	58,100	58,600	59,100	59,600	60,100
17.75 TO LESS THAN 18.00	56,200	56,400	56,600	57,100	57,600	58,100	58,500	59,000	59,500	60,000	60,500
18.00 TO LESS THAN 18.25	56,600	56,800	57,100	57,500	58,000	58,500	59,000	59,400	59,900	60,400	61,000
18.25 TO LESS THAN 18.50	57,100	57,300	57,500	58,000	58,400	58,900	59,400	59,800	60,300	60,800	61,200
18.50 TO LESS THAN 18.75	57,500	57,700	57,900	58,400	58,800	59,300	59,800	60,300	60,700	61,200	61,600
18.75 TO LESS THAN 19.00	58,100	58,300	58,500	58,800	59,200	59,600	60,100	60,600	61,000	61,500	61,900
19.00 TO LESS THAN 19.25	58,600	58,800	59,000	59,200	59,600	60,000	60,500	61,000	61,400	61,800	62,200
19.25 AND OVER	59,000	59,200	59,400	59,600	60,000	60,400	60,900	61,400	61,800	62,200	62,600

VEHICLE WEIGHT TABLE 21

ALLOWABLE GROSS WEIGHT ON A VEHICLE WITH SEVEN AXLES (KILOGRAMS)  
INTER-VEHICLE-UNIT DISTANCE, 3.3 METRES TO LESS THAN 3.6 METRES

BASE LENGTH, (METRES)	FRONT AXLE WEIGHT, (KILOGRAMS)										
	5 000	5 001	5 500	6 000	6 500	7 000	7 500	8 000	8 500	9 000	9 500
	Less	TO	TO	TO	TO	TO	TO	TO	TO	TO	TO
LESS THAN 15.00	51,600	52,000	52,400	52,800	53,300	53,700	54,200	54,600	55,100	55,500	56,000
15.00 TO LESS THAN 15.25	52,100	52,500	52,800	53,300	53,700	54,200	54,600	55,000	55,500	55,900	56,400
15.25 TO LESS THAN 15.50	52,500	52,900	53,200	53,700	54,100	54,600	55,000	55,500	55,900	56,300	56,800
15.50 TO LESS THAN 15.75	53,000	53,300	53,700	54,100	54,600	55,000	55,400	55,900	56,300	56,800	57,200
15.75 TO LESS THAN 16.00	53,400	53,800	54,100	54,500	55,000	55,400	55,900	56,300	56,800	57,200	57,600
16.00 TO LESS THAN 16.25	53,900	54,200	54,500	55,000	55,400	55,900	56,300	56,700	57,200	57,600	58,000
16.25 TO LESS THAN 16.50	54,300	54,600	54,900	55,400	55,800	56,300	56,700	57,200	57,600	58,000	58,500
16.50 TO LESS THAN 16.75	54,800	55,100	55,400	55,800	56,300	56,700	57,100	57,600	58,000	58,500	58,900
16.75 TO LESS THAN 17.00	55,200	55,500	55,800	56,200	56,700	57,100	57,600	58,000	58,500	58,900	59,400
17.00 TO LESS THAN 17.25	55,600	55,900	56,200	56,700	57,100	57,500	58,000	58,400	58,800	59,300	59,700
17.25 TO LESS THAN 17.50	56,100	56,400	56,700	57,100	57,500	57,900	58,400	58,800	59,200	59,700	60,100
17.50 TO LESS THAN 17.75	56,500	56,800	57,100	57,500	57,900	58,400	58,800	59,200	59,600	60,100	60,400
17.75 TO LESS THAN 18.00	57,000	57,300	57,500	57,900	58,400	58,800	59,200	59,600	60,000	60,400	60,800



18.00 TO LESS THAN 18.25	57,400	57,700	57,900	58,400	58,800	59,200	59,600	60,000	60,400	60,800	61,200
18.25 TO LESS THAN 18.50	57,900	58,100	58,400	58,800	59,200	59,600	60,000	60,400	60,800	61,200	61,600
18.50 TO LESS THAN 18.75	58,300	58,600	58,800	59,200	59,600	60,000	60,400	60,800	61,200	61,600	62,000
18.75 TO LESS THAN 19.00	58,700	59,000	59,300	59,600	60,000	60,400	60,800	61,200	61,600	62,000	62,400
19.00 TO LESS THAN 19.25	59,200	59,500	59,700	60,000	60,400	60,800	61,200	61,600	62,000	62,400	62,800
19.25 AND OVER	59,600	59,900	60,100	60,400	60,800	61,200	61,600	62,000	62,400	62,800	63,200

VEHICLE WEIGHT TABLE 22

ALLOWABLE GROSS WEIGHT ON A VEHICLE WITH SEVEN AXLES (KILOGRAMS)  
INTER-VEHICLE-UNIT DISTANCE, 3.6 METRES OR MORE  
FRONT AXLE WEIGHT, (KILOGRAMS)

BASE LENGTH, (METRES)	5 000	5 001	5 500	6 000	6 500	7 000	7 500	8 000	8 500	9 000	9 500
	Less	TO LESS THAN 5 500	TO LESS THAN 6 000	TO LESS THAN 6 500	TO LESS THAN 7 000	TO LESS THAN 7 500	TO LESS THAN 8 000	TO LESS THAN 8 500	TO LESS THAN 9 000	TO LESS THAN 9 500	TO LESS AND INCL 10 000
LESS THAN 15.00	52,300	52,700	53,100	53,500	54,000	54,400	54,900	55,300	55,800	56,200	56,700
15.00 TO LESS THAN 15.25	52,800	53,100	53,500	54,000	54,400	54,800	55,300	55,700	56,200	56,600	57,100
15.25 TO LESS THAN 15.50	53,200	53,600	53,900	54,400	54,800	55,300	55,700	56,100	56,600	57,000	57,500
15.50 TO LESS THAN 15.75	53,700	54,000	54,400	54,800	55,200	55,700	56,100	56,500	57,000	57,400	57,900
15.75 TO LESS THAN 16.00	54,100	54,400	54,800	55,200	55,700	56,100	56,500	56,900	57,400	57,800	58,300
16.00 TO LESS THAN 16.25	54,500	54,900	55,200	55,600	56,100	56,500	56,900	57,300	57,800	58,200	58,600
16.25 TO LESS THAN 16.50	55,000	55,300	55,600	56,100	56,500	56,900	57,300	57,800	58,200	58,600	59,000
16.50 TO LESS THAN 16.75	55,400	55,700	56,100	56,500	56,900	57,300	57,700	58,200	58,600	59,000	59,400
16.75 TO LESS THAN 17.00	55,900	56,200	56,500	56,900	57,300	57,700	58,200	58,600	59,000	59,400	59,800
17.00 TO LESS THAN 17.25	56,300	56,600	56,900	57,300	57,700	58,100	58,500	59,000	59,400	59,800	60,300
17.25 TO LESS THAN 17.50	56,700	57,000	57,300	57,700	58,100	58,500	58,900	59,300	59,800	60,200	60,700
17.50 TO LESS THAN 17.75	57,100	57,400	57,700	58,100	58,500	58,900	59,300	59,700	60,100	60,600	61,000
17.75 TO LESS THAN 18.00	57,500	57,800	58,000	58,500	58,900	59,300	59,700	60,100	60,500	60,900	61,300
18.00 TO LESS THAN 18.25	57,900	58,200	58,400	58,800	59,300	59,700	60,100	60,500	60,900	61,300	61,700
18.25 TO LESS THAN 18.50	58,400	58,600	58,800	59,200	59,600	60,100	60,500	60,900	61,300	61,700	62,100
18.50 TO LESS THAN 18.75	58,800	59,000	59,200	59,600	60,000	60,400	60,900	61,300	61,700	62,100	62,500
18.75 TO LESS THAN 19.00	59,300	59,500	59,700	60,000	60,400	60,900	61,300	61,700	62,100	62,500	62,900
19.00 TO LESS THAN 19.25	59,700	59,900	60,200	60,500	60,900	61,300	61,700	62,100	62,500	62,900	63,300
19.25 AND OVER	60,100	60,300	60,600	60,900	61,300	61,700	62,100	62,500	62,900	63,300	63,500

VEHICLE WEIGHT TABLE 23

ALLOWABLE GROSS WEIGHT ON A VEHICLE WITH EIGHT OR MORE AXLES (KILOGRAMS)  
INTER-VEHICLE-UNIT DISTANCE, LESS THAN 2.1 METRES  
FRONT AXLE WEIGHT, (KILOGRAMS)

BASE LENGTH, (METRES)	5 000	5 001	5 500	6 000	6 500	7 000	7 500	8 000	8 500	9 000	9 500
	Less	TO LESS THAN 5 500	TO LESS THAN 6 000	TO LESS THAN 6 500	TO LESS THAN 7 000	TO LESS THAN 7 500	TO LESS THAN 8 000	TO LESS THAN 8 500	TO LESS THAN 9 000	TO LESS THAN 9 500	TO LESS AND INCL 10 000
LESS THAN 15.00	47,600	48,000	48,500	49,000	49,500	50,000	50,400	50,900	51,400	51,900	52,400
15.00 TO LESS THAN 15.25	48,100	48,600	49,000	49,500	50,000	50,500	51,000	51,400	51,900	52,400	52,900
15.25 TO LESS THAN 15.50	48,700	49,100	49,600	50,100	50,500	51,000	51,500	51,900	52,400	52,900	53,400
15.50 TO LESS THAN 15.75	49,200	49,700	50,100	50,600	51,100	51,500	52,000	52,400	52,900	53,400	53,800
15.75 TO LESS THAN 16.00	49,700	50,200	50,700	51,100	51,600	52,000	52,500	52,900	53,400	53,800	54,300
16.00 TO LESS THAN 16.25	50,300	50,700	51,200	51,700	52,100	52,500	53,000	53,400	53,900	54,300	54,800
16.25 TO LESS THAN 16.50	50,800	51,300	51,800	52,200	52,600	53,100	53,500	53,900	54,400	54,800	55,300
16.50 TO LESS THAN 16.75	51,300	51,800	52,300	52,700	53,200	53,600	54,000	54,400	54,900	55,300	55,700
16.75 TO LESS THAN 17.00	51,800	52,300	52,800	53,200	53,600	54,000	54,500	54,900	55,300	55,700	56,100

17.00 TO LESS THAN 17.25	52,300	52,800	53,200	53,700	54,100	54,500	54,900	55,300	55,700	56,100	56,500
17.25 TO LESS THAN 17.50	52,800	53,300	53,700	54,100	54,500	54,900	55,400	55,800	56,200	56,600	57,000
17.50 TO LESS THAN 17.75	53,300	53,800	54,200	54,600	55,000	55,400	55,800	56,200	56,600	57,000	57,400
17.75 TO LESS THAN 18.00	53,800	54,300	54,700	55,100	55,500	55,900	56,200	56,600	57,000	57,400	57,800
18.00 TO LESS THAN 18.25	54,300	54,700	55,100	55,500	55,900	56,300	56,700	57,100	57,500	57,800	58,300
18.25 TO LESS THAN 18.50	54,800	55,200	55,600	56,000	56,400	56,800	57,100	57,500	57,900	58,300	58,800
18.50 TO LESS THAN 18.75	55,300	55,700	56,100	56,500	56,800	57,200	57,600	58,000	58,300	58,700	59,300
18.75 TO LESS THAN 19.00	55,900	56,300	56,700	57,000	57,400	57,700	58,000	58,400	58,800	59,200	59,700
19.00 TO LESS THAN 19.25	56,400	56,800	57,200	57,400	57,800	58,100	58,400	58,800	59,200	59,600	60,100
19.25 AND OVER	56,800	57,200	57,600	57,800	58,200	58,500	58,800	59,200	59,600	60,000	60,500

VEHICLE WEIGHT TABLE 24

ALLOWABLE GROSS WEIGHT ON A VEHICLE WITH EIGHT OR MORE AXLES (KILOGRAMS)  
 INTER-VEHICLE-UNIT DISTANCE, 2.1 METRES TO LESS THAN 2.4 METRES  
 FRONT AXLE WEIGHT, (KILOGRAMS)

BASE LENGTH, (METRES)	5 000	5 001	5 500	6 000	6 500	7 000	7 500	8 000	8 500	9 000	9 500
	Less	TO LESS THAN 5 500	TO LESS THAN 6 000	TO LESS THAN 6 500	TO LESS THAN 7 000	TO LESS THAN 7 500	TO LESS THAN 8 000	TO LESS THAN 8 500	TO LESS THAN 9 000	TO LESS THAN 9 500	TO AND INCL 10 000
LESS THAN 15.00	48,600	49,000	49,500	50,000	50,400	50,900	51,400	51,900	52,300	52,800	53,300
15.00 TO LESS THAN 15.25	49,100	49,500	50,000	50,500	50,900	51,400	51,900	52,300	52,800	53,300	53,700
15.25 TO LESS THAN 15.50	49,600	50,100	50,500	51,000	51,400	51,900	52,300	52,800	53,300	53,700	54,200
15.50 TO LESS THAN 15.75	50,100	50,600	51,000	51,500	51,900	52,400	52,800	53,300	53,700	54,200	54,500
15.75 TO LESS THAN 16.00	50,600	51,100	51,600	52,000	52,400	52,900	53,300	53,800	54,200	54,600	55,100
16.00 TO LESS THAN 16.25	51,100	51,600	52,100	52,500	52,900	53,400	53,800	54,200	54,700	55,100	55,500
16.25 TO LESS THAN 16.50	51,700	52,100	52,600	53,000	53,400	53,900	54,300	54,700	55,100	55,500	55,900
16.50 TO LESS THAN 16.75	52,200	52,600	53,100	53,500	53,900	54,300	54,800	55,200	55,600	56,000	56,400
16.75 TO LESS THAN 17.00	52,700	53,200	53,600	54,000	54,400	54,800	55,200	55,600	56,000	56,400	56,800
17.00 TO LESS THAN 17.25	53,200	53,700	54,100	54,500	54,900	55,300	55,700	56,100	56,500	56,900	57,200
17.25 TO LESS THAN 17.50	53,700	54,200	54,600	55,000	55,400	55,800	56,200	56,600	57,000	57,300	57,700
17.50 TO LESS THAN 17.75	54,300	54,700	55,100	55,500	55,900	56,300	56,700	57,000	57,400	57,800	58,200
17.75 TO LESS THAN 18.00	54,800	55,200	55,700	56,000	56,400	56,800	57,100	57,500	57,900	58,200	58,600
18.00 TO LESS THAN 18.25	55,300	55,700	56,200	56,500	56,900	57,300	57,600	58,000	58,300	58,700	59,000
18.25 TO LESS THAN 18.50	55,800	56,300	56,700	57,000	57,400	57,700	58,100	58,400	58,800	59,100	59,500
18.50 TO LESS THAN 18.75	56,400	56,800	57,200	57,500	57,900	58,200	58,600	58,900	59,300	59,600	60,000
18.75 TO LESS THAN 19.00	56,900	57,400	57,800	58,100	58,500	58,800	59,200	59,500	59,900	60,200	60,500
19.00 TO LESS THAN 19.25	57,500	57,900	58,300	58,600	59,000	59,300	59,700	60,000	60,400	60,700	61,000
19.25 AND OVER	57,900	58,300	58,700	59,000	59,400	59,700	60,100	60,400	60,800	61,100	61,400

VEHICLE WEIGHT TABLE 25

ALLOWABLE GROSS WEIGHT ON A VEHICLE WITH EIGHT OR MORE AXLES (KILOGRAMS)  
 INTER-VEHICLE-UNIT DISTANCE, 2.4 METRES TO LESS THAN 2.7 METRES  
 FRONT AXLE WEIGHT, (KILOGRAMS)

BASE LENGTH, (METRES)	5 000	5 001	5 500	6 000	6 500	7 000	7 500	8 000	8 500	9 000	9 500
	Less	TO LESS THAN 5 500	TO LESS THAN 6 000	TO LESS THAN 6 500	TO LESS THAN 7 000	TO LESS THAN 7 500	TO LESS THAN 8 000	TO LESS THAN 8 500	TO LESS THAN 9 000	TO LESS THAN 9 500	TO AND INCL 10 000
LESS THAN 15.00	49,700	50,100	50,600	51,000	51,500	51,900	52,400	52,800	53,300	53,700	54,200
15.00 TO LESS THAN 15.25	50,200	50,600	51,100	51,500	52,000	52,400	52,800	53,300	53,700	54,200	54,600
15.25 TO LESS THAN 15.50	50,700	51,100	51,600	52,000	52,400	52,900	53,300	53,700	54,200	54,600	55,100
15.50 TO LESS THAN 15.75	51,200	51,600	52,100	52,500	52,900	53,300	53,800	54,200	54,600	55,100	55,500
15.75 TO LESS THAN 16.00	51,600	52,100	52,500	53,000	53,400	53,800	54,200	54,700	55,100	55,500	56,000

16.00 TO LESS THAN 16.25	52,100	52,600	53,000	53,500	53,900	54,300	54,700	55,100	55,600	56,000	56,400
16.25 TO LESS THAN 16.50	52,600	53,100	53,500	53,900	54,400	54,800	55,200	55,600	56,000	56,400	56,900
16.50 TO LESS THAN 16.75	53,100	53,500	54,000	54,400	54,800	55,200	55,700	56,100	56,500	56,900	57,300
16.75 TO LESS THAN 17.00	53,600	54,000	54,500	54,900	55,300	55,700	56,100	56,500	56,900	57,300	57,700
17.00 TO LESS THAN 17.25	54,100	54,500	54,900	55,300	55,700	56,200	56,600	57,000	57,400	57,800	58,200
17.25 TO LESS THAN 17.50	54,500	55,000	55,400	55,800	56,200	56,600	57,000	57,400	57,800	58,200	58,600
17.50 TO LESS THAN 17.75	55,000	55,400	55,800	56,300	56,700	57,100	57,500	57,900	58,300	58,700	59,100
17.75 TO LESS THAN 18.00	55,500	55,900	56,300	56,700	57,100	57,500	57,900	58,300	58,700	59,100	59,500
18.00 TO LESS THAN 18.25	56,000	56,400	56,800	57,200	57,600	58,000	58,400	58,800	59,200	59,600	60,000
18.25 TO LESS THAN 18.50	56,500	56,800	57,200	57,600	58,000	58,400	58,800	59,200	59,600	60,000	60,400
18.50 TO LESS THAN 18.75	56,900	57,300	57,700	58,100	58,500	58,900	59,300	59,700	60,100	60,500	60,900
18.75 TO LESS THAN 19.00	57,500	57,700	58,100	58,500	58,900	59,300	59,700	60,100	60,500	60,900	61,300
19.00 TO LESS THAN 19.25	57,900	58,100	58,500	58,900	59,300	59,700	60,100	60,500	60,900	61,300	61,700
19.25 AND OVER	58,300	58,500	58,900	59,300	59,700	60,100	60,500	60,900	61,300	61,700	62,100

VEHICLE WEIGHT TABLE 26

ALLOWABLE GROSS WEIGHT ON A VEHICLE WITH EIGHT OR MORE AXLES (KILOGRAMS)  
 INTER-VEHICLE-UNIT DISTANCE, 2.7 METRES TO LESS THAN 3.0 METRES  
 FRONT AXLE WEIGHT, (KILOGRAMS)

BASE LENGTH, (METRES)	5 000 or Less	5 001 TO LESS THAN 5 500	5 501 TO LESS THAN 6 000	6 001 TO LESS THAN 6 500	6 501 TO LESS THAN 7 000	7 001 TO LESS THAN 7 500	7 501 TO LESS THAN 8 000	8 001 TO LESS THAN 8 500	8 501 TO LESS THAN 9 000	9 001 TO LESS THAN 9 500	9 501 TO LESS AND INCL. 10 000
LESS THAN 15.50	51,600	52,000	52,400	52,900	53,300	53,800	54,200	54,700	55,100	55,600	56,000
15.50 TO LESS THAN 15.75	52,000	52,400	52,900	53,300	53,800	54,200	54,700	55,100	55,600	56,000	56,500
15.75 TO LESS THAN 16.00	52,500	52,900	53,300	53,800	54,200	54,700	55,100	55,600	56,000	56,500	56,900
16.00 TO LESS THAN 16.25	52,900	53,400	53,800	54,200	54,700	55,100	55,600	56,000	56,500	56,900	57,400
16.25 TO LESS THAN 16.50	53,400	53,800	54,300	54,700	55,200	55,600	56,100	56,500	57,000	57,400	57,800
16.50 TO LESS THAN 16.75	53,900	54,300	54,700	55,200	55,600	56,100	56,500	57,000	57,400	57,800	58,300
16.75 TO LESS THAN 17.00	54,300	54,800	55,200	55,600	56,100	56,500	57,000	57,400	57,900	58,300	58,700
17.00 TO LESS THAN 17.25	54,800	55,200	55,700	56,100	56,500	57,000	57,400	57,900	58,300	58,700	59,200
17.25 TO LESS THAN 17.50	55,200	55,700	56,100	56,600	57,000	57,400	57,900	58,300	58,700	59,200	59,600
17.50 TO LESS THAN 17.75	55,700	56,100	56,600	57,000	57,400	57,900	58,300	58,800	59,200	59,600	60,000
17.75 TO LESS THAN 18.00	56,200	56,600	57,000	57,500	57,900	58,300	58,800	59,200	59,600	60,100	60,500
18.00 TO LESS THAN 18.25	56,600	57,100	57,500	57,900	58,400	58,800	59,200	59,600	60,100	60,500	61,000
18.25 TO LESS THAN 18.50	57,100	57,500	57,900	58,400	58,800	59,200	59,700	60,100	60,500	61,000	61,400
18.50 TO LESS THAN 18.75	57,500	58,000	58,400	58,800	59,300	59,700	60,100	60,500	61,000	61,400	61,900
18.75 TO LESS THAN 19.00	58,000	58,400	58,800	59,200	59,700	60,100	60,600	60,900	61,400	61,800	62,300
19.00 TO LESS THAN 19.25	58,400	58,800	59,200	59,600	60,100	60,500	61,000	61,300	61,800	62,200	62,700
19.25 AND OVER	58,800	59,200	59,600	60,000	60,500	60,900	61,400	61,700	62,200	62,600	63,100

## VEHICLE WEIGHT TABLE 27

ALLOWABLE GROSS WEIGHT ON A VEHICLE WITH EIGHT OR MORE AXLES (KILOGRAMS)  
 INTER-VEHICLE-UNIT DISTANCE, 3.0 METRES TO LESS THAN 3.3 METRES  
 FRONT AXLE WEIGHT, (KILOGRAMS)

BASE LENGTH, (METRES)	5 000	5 001	5 500	6 000	6 500	7 000	7 500	8 000	8 500	9 000	9 500
	or Less	TO LESS THAN 5 500	TO LESS THAN 6 000	TO LESS THAN 6 500	TO LESS THAN 7 000	TO LESS THAN 7 500	TO LESS THAN 8 000	TO LESS THAN 8 500	TO LESS THAN 9 000	TO LESS THAN 9 500	AND INCL 10 000
LESS THAN 16.00	53,100	53,400	53,800	54,300	54,700	55,200	55,700	56,200	56,600	57,100	57,600
16.00 TO LESS THAN 16.25	53,500	53,900	54,300	54,700	55,200	55,700	56,100	56,600	57,100	57,600	58,000
16.25 TO LESS THAN 16.50	54,000	54,400	54,700	55,200	55,700	56,100	56,600	57,100	57,500	58,000	58,500
16.50 TO LESS THAN 16.75	54,400	54,800	55,200	55,700	56,100	56,600	57,100	57,500	58,000	58,500	58,900
16.75 TO LESS THAN 17.00	54,900	55,300	55,600	56,100	56,600	57,100	57,500	58,000	58,500	58,900	59,400
17.00 TO LESS THAN 17.25	55,300	55,700	56,100	56,600	57,000	57,500	58,000	58,500	58,900	59,400	59,900
17.25 TO LESS THAN 17.50	55,800	56,200	56,500	57,000	57,500	58,000	58,500	59,000	59,400	59,900	60,500
17.50 TO LESS THAN 17.75	56,300	56,600	57,000	57,500	58,000	58,500	59,000	59,500	60,000	60,500	61,000
17.75 TO LESS THAN 18.00	56,700	57,100	57,500	58,000	58,500	59,000	59,500	60,000	60,500	61,000	61,500
18.00 TO LESS THAN 18.25	57,200	57,500	57,900	58,400	58,900	59,500	60,000	60,500	61,000	61,500	62,000
18.25 TO LESS THAN 18.50	57,600	58,000	58,400	58,900	59,400	59,900	60,500	61,000	61,500	62,100	62,500
18.50 TO LESS THAN 18.75	58,100	58,400	58,800	59,300	59,900	60,400	61,000	61,500	62,100	62,600	63,000
18.75 TO LESS THAN 19.00	58,600	58,800	59,400	59,700	60,300	60,800	61,400	61,900	62,500	63,000	63,500
19.00 TO LESS THAN 19.25	59,000	59,200	59,800	60,100	60,700	61,200	61,800	62,300	62,900	63,400	63,500
19.25 AND OVER	59,400	59,600	60,200	60,500	61,100	61,600	62,200	62,700	63,300	63,500	63,500

## VEHICLE WEIGHT TABLE 28

ALLOWABLE GROSS WEIGHT ON A VEHICLE WITH EIGHT OR MORE AXLES (KILOGRAMS)  
 INTER-VEHICLE-UNIT DISTANCE, 3.3 METRES TO LESS THAN 3.6 METRES  
 FRONT AXLE WEIGHT, (KILOGRAMS)

BASE LENGTH, (METRES)	5 000	5 001	5 500	6 000	6 500	7 000	7 500	8 000	8 500	9 000	9 500
	or Less	TO LESS THAN 5 500	TO LESS THAN 6 000	TO LESS THAN 6 500	TO LESS THAN 7 000	TO LESS THAN 7 500	TO LESS THAN 8 000	TO LESS THAN 8 500	TO LESS THAN 9 000	TO LESS THAN 9 500	AND INCL 10 000
LESS THAN 16.00	54,300	54,700	55,100	55,500	55,900	56,300	56,800	57,200	57,600	58,000	58,400
16.00 TO LESS THAN 16.25	54,700	55,200	55,600	56,000	56,400	56,800	57,200	57,700	58,100	58,500	59,000
16.25 TO LESS THAN 16.50	55,200	55,700	56,100	56,500	56,900	57,300	57,700	58,100	58,600	59,000	59,500
16.50 TO LESS THAN 16.75	55,700	56,100	56,600	57,000	57,400	57,800	58,200	58,600	59,000	59,400	59,900
16.75 TO LESS THAN 17.00	56,200	56,600	57,100	57,500	57,900	58,300	58,700	59,100	59,500	59,900	60,400
17.00 TO LESS THAN 17.25	56,600	57,100	57,600	58,000	58,400	58,800	59,200	59,600	60,000	60,400	60,900
17.25 TO LESS THAN 17.50	57,100	57,600	58,100	58,500	58,900	59,300	59,700	60,100	60,500	60,900	61,400
17.50 TO LESS THAN 17.75	57,600	58,100	58,600	59,000	59,400	59,800	60,200	60,600	61,000	61,400	61,900
17.75 TO LESS THAN 18.00	58,100	58,600	59,100	59,500	59,900	60,300	60,700	61,100	61,500	61,900	62,500
18.00 TO LESS THAN 18.25	58,600	59,100	59,600	60,000	60,400	60,800	61,200	61,600	62,100	62,500	63,000
18.25 TO LESS THAN 18.50	59,100	59,600	60,100	60,500	60,900	61,300	61,700	62,200	62,600	63,000	63,500
18.50 TO LESS THAN 18.75	59,600	60,100	60,600	61,000	61,400	61,800	62,300	62,700	63,100	63,500	63,500
18.75 TO LESS THAN 19.00	60,100	60,500	61,000	61,400	61,800	62,200	62,700	63,100	63,500	63,500	63,500
19.00 TO LESS THAN 19.25	60,600	60,900	61,400	61,800	62,200	62,600	63,100	63,500	63,500	63,500	63,500
19.25 AND OVER	61,000	61,300	61,800	62,200	62,600	63,000	63,500	63,500	63,500	63,500	63,500

VEHICLE WEIGHT TABLE 29

ALLOWABLE GROSS WEIGHT ON A VEHICLE WITH EIGHT OR MORE AXLES (KILOGRAMS)  
 INTER-VEHICLE-UNIT DISTANCE, 3.6 METRES OR MORE  
 FRONT AXLE WEIGHT, (KILOGRAMS)

BASE LENGTH, (METRES)	5 000	5 001	5 500	6 000	6 500	7 000	7 500	8 000	8 500	9 000	9 500
	or Less	TO LESS THAN 5 500	TO LESS THAN 6 000	TO LESS THAN 6 500	TO LESS THAN 7 000	TO LESS THAN 7 500	TO LESS THAN 8 000	TO LESS THAN 8 500	TO LESS THAN 9 000	TO LESS THAN 9 500	AND INCL 10 000
LESS THAN 16.00	54,800	55,200	55,600	56,000	56,400	56,800	57,300	57,700	58,100	58,500	59,000
16.00 TO LESS THAN 16.25	55,200	55,700	56,100	56,500	56,900	57,300	57,700	58,200	58,600	59,000	59,500
16.25 TO LESS THAN 16.50	55,700	56,200	56,600	57,000	57,400	57,800	58,200	58,600	59,100	59,500	59,900
16.50 TO LESS THAN 16.75	56,200	56,600	57,100	57,500	57,900	58,300	58,700	59,100	59,500	59,900	60,300
16.75 TO LESS THAN 17.00	56,700	57,100	57,600	58,000	58,400	58,800	59,200	59,600	60,000	60,400	60,800
17.00 TO LESS THAN 17.25	57,100	57,600	58,100	58,500	58,900	59,300	59,700	60,100	60,500	60,900	61,300
17.25 TO LESS THAN 17.50	57,600	58,100	58,600	59,000	59,400	59,800	60,200	60,600	61,000	61,400	61,800
17.50 TO LESS THAN 17.75	58,100	58,600	59,100	59,500	59,900	60,300	60,700	61,100	61,500	61,900	62,300
17.75 TO LESS THAN 18.00	58,600	59,100	59,600	60,000	60,400	60,800	61,200	61,600	62,000	62,400	62,900
18.00 TO LESS THAN 18.25	59,100	59,600	60,100	60,500	60,900	61,300	61,700	62,100	62,600	63,000	63,500
18.25 TO LESS THAN 18.50	59,600	60,100	60,600	61,000	61,400	61,800	62,200	62,700	63,100	63,500	63,900
18.50 TO LESS THAN 18.75	60,100	60,600	61,100	61,500	61,900	62,300	62,700	63,200	63,600	63,900	64,300
18.75 TO LESS THAN 19.00	60,600	61,000	61,500	61,900	62,300	62,700	63,100	63,500	63,900	64,300	64,700
19.00 TO LESS THAN 19.25	61,100	61,400	61,900	62,300	62,700	63,100	63,500	63,900	64,300	64,700	65,100
19.25 AND OVER	61,500	61,800	62,300	62,700	63,100	63,500	63,900	64,300	64,700	65,100	65,500

29/05

## ONTARIO REGULATION 414/05

made under the

## OCCUPATIONAL HEALTH AND SAFETY ACT

Made: June 22, 2005

Filed: June 28, 2005

### FARMING OPERATIONS

#### Application of Act to farming operations

1. Subject to the limitations and conditions set out in this Regulation, the Act applies to farming operations.

#### Exception

2. Despite section 1, the Act does not apply to a farming operation operated by a self-employed person without any workers.

#### Limitations, joint health and safety committees

3. (1) Despite section 1, subsection 9 (2) of the Act applies only to farming operations where 20 or more workers are regularly employed and have duties that include performing work related to one or more of the operations specified in subsection (2).

- (2) The following are the operations referred to in subsection (1):

1. Mushroom farming.
2. Greenhouse farming.
3. Dairy farming.
4. Hog farming.
5. Cattle farming.

6. Poultry farming.

(3) Despite section 1, where a joint health and safety committee is required at a farming operation, the requirement for certified members set out in subsection 9 (12) of the Act applies to that farming operation only if 50 or more workers are regularly employed at it.

**Application of certain regulations**

4. (1) Despite section 1 and subject to subsection (2), the regulations made under the Act do not apply to farming operations.

(2) The following regulations apply to farming operations:

1. Regulation 834 of the Revised Regulations of Ontario, 1990 (Critical Injury — Defined) made under the Act.
2. Ontario Regulation 780/94 (Training Programs) made under the Act.
3. Ontario Regulation 572/99 (Training Requirements for Certain Skill Sets and Trades) made under the Act.

**Commencement**

5. **This Regulation comes into force on June 30, 2006.**

## RÈGLEMENT DE L'ONTARIO 414/05

pris en application de la

### LOI SUR LA SANTÉ ET LA SÉCURITÉ AU TRAVAIL

pris le 22 juin 2005  
déposé le 28 juin 2005

## OPÉRATIONS AGRICOLES

**Application de la Loi aux opérations agricoles**

1. La Loi s'applique aux opérations agricoles sous réserve des conditions et restrictions énoncées au présent règlement.

**Exception**

2. Malgré l'article 1, la Loi ne s'applique pas à l'opération agricole exploitée par une personne qui travaille à son compte sans aucun travailleur.

**Restrictions : comités mixtes sur la santé et la sécurité au travail**

3. (1) Malgré l'article 1, le paragraphe 9 (2) de la Loi ne s'applique qu'aux opérations agricoles où sont régulièrement employés 20 travailleurs ou plus qui, dans le cadre de leurs fonctions, exécutent un travail rattaché à l'une ou plusieurs des opérations précisées au paragraphe (2).

(2) Les opérations visées au paragraphe (1) sont les suivantes :

1. La culture des champignons.
2. La serriculture.
3. La production laitière.
4. L'élevage de porcs.
5. L'élevage de bétail.
6. L'aviculture.

(3) Malgré l'article 1, si un comité mixte sur la santé et la sécurité au travail est prévu dans une opération agricole, l'exigence concernant les membres agréés qui est énoncée au paragraphe 9 (12) de la Loi ne s'y applique que si 50 travailleurs ou plus y sont régulièrement employés.

**Application de certains règlements**

4. (1) Malgré l'article 1 et sous réserve du paragraphe (2), les règlements pris en application de la Loi ne s'appliquent pas aux opérations agricoles.

(2) Les règlements suivants s'appliquent aux opérations agricoles :

1. Le Règlement 834 des Règlements refondus de l'Ontario de 1990 («Blessure critique — définition») pris en application de la Loi.
2. Le Règlement de l'Ontario 780/94 («Training Programs») pris en application de la Loi.
3. Le Règlement de l'Ontario 572/99 («Training Requirements for Certain Skill Sets and Trades») pris en application de la Loi.

Entrée en vigueur

**5. Le présent règlement entre en vigueur le 30 juin 2006.**

29/05

## ONTARIO REGULATION 415/05

made under the

### EDUCATION ACT

Made: June 21, 2005

Filed: June 29, 2005

Amending O. Reg. 444/98

(Disposition of Surplus Real Property)

Note: Ontario Regulation 444/98 has previously been amended. Those amendments are listed in the [Table of Regulations – Legislative History Overview](#) which can be found at [www.e-Laws.gov.on.ca](http://www.e-Laws.gov.on.ca).

**1. (1) Paragraphs 8 to 11 of subsection 3 (1) of Ontario Regulation 444/98 are revoked and the following substituted:**

8. The Crown in right of Ontario.
9. The municipality in which the property is located.
10. If the property is located in an upper-tier municipality, that upper-tier municipality.
11. If the property is located in the geographical area within which a local services board may exercise its jurisdiction, the local services board.

**(2) Paragraphs 8 to 11 of subsection 3 (2) of the Regulation are revoked and the following substituted:**

8. The Crown in right of Ontario.
9. The municipality in which the property is located.
10. If the property is located in an upper-tier municipality, that upper-tier municipality.
11. If the property is located in the geographical area within which a local services board may exercise its jurisdiction, the local services board.

**(3) Paragraphs 8 to 11 of subsection 3 (3) of the Regulation are revoked and the following substituted:**

8. The Crown in right of Ontario.
9. The municipality in which the property is located.
10. If the property is located in an upper-tier municipality, that upper-tier municipality.
11. If the property is located in the geographical area within which a local services board may exercise its jurisdiction, the local services board.

**(4) Paragraphs 8 to 11 of subsection 3 (4) of the Regulation are revoked and the following substituted:**

8. The Crown in right of Ontario.
9. The municipality in which the property is located.

10. If the property is located in an upper-tier municipality, that upper-tier municipality.
11. If the property is located in the geographical area within which a local services board may exercise its jurisdiction, the local services board.

**(5) Subsection 3 (5) of the Regulation is revoked.**

**(6) Subsection 3 (6) of the Regulation is amended by striking out “8 or 9” and substituting “9 or 10”.**

**2. (1) Paragraphs 7 to 10 of subsection 4 (1) of the Regulation are revoked and the following substituted:**

7. The Crown in right of Ontario.
8. The municipality in which the property is located.
9. If the property is located in an upper-tier municipality, that upper-tier municipality.
10. If the property is located in the geographical area within which a local services board may exercise its jurisdiction, the local services board.

**(2) Paragraphs 6 to 8 of subsection 4 (2) of the Regulation are revoked and the following substituted:**

6. The Crown in right of Ontario.
7. The municipality in which the property is located.
8. If the property is located in the geographical area within which a local services board may exercise its jurisdiction, the local services board.

**(3) Paragraphs 7 to 10 of subsection 4 (3) of the Regulation are revoked and the following substituted:**

7. The Crown in right of Ontario.
8. The municipality in which the property is located.
9. If the property is located in an upper-tier municipality, that upper-tier municipality.
10. If the property is located in the geographical area within which a local services board may exercise its jurisdiction, the local services board.

**(4) Paragraphs 8, 8.1, 9 and 10 of subsection 4 (4) of the Regulation are revoked and the following substituted:**

8. The Crown in right of Ontario.
9. The municipality in which the property is located.
10. If the property is located in an upper-tier municipality, that upper-tier municipality.
11. The Crown in right of Canada.

**(5) Subsection 4 (5) of the Regulation is revoked.**

**(6) Subsection 4 (6) of the Regulation is revoked and the following substituted:**

(6) A body mentioned in paragraph 8 or 9 of subsection (1), paragraph 7 of subsection (2), paragraph 8 or 9 of subsection (3) or paragraph 9 or 10 of subsection (4) to which a proposal is issued may refer the proposal to any of its local boards, not including a school board.

**3. Section 7 of the Regulation is amended by striking out “sections 8 and 9” and substituting “section 8”.**

**4. (1) Subsection 8 (2) of the Regulation is amended by striking out “Subject to section 9” at the beginning.**

**(2) Paragraphs 3 and 4 of subsection 8 (3) of the Regulation are revoked and the following substituted:**

3. Until August 31, 2005, multiply the product obtained under paragraph 2 by,
  - i. \$1,284 per square metre, in the case of a proposal for sale, or
  - ii. \$120.77 per square metre, in the case of a proposal for lease.
4. On and after September 1, 2005, multiply the product obtained under paragraph 2 by,
  - i. \$1,660.25 per square metre, in the case of a proposal for sale, or
  - ii. \$120.77 per square metre, in the case of a proposal for lease.

**(3) Paragraphs 3 and 4 of subsection 8 (4) of the Regulation are revoked and the following substituted:**

3. Until August 31, 2005, multiply the product obtained under paragraph 2 by,



- i. \$1,383 per square metre, in the case of a proposal for sale, or
  - ii. \$131.75 per square metre, in the case of a proposal for lease.
4. On and after September 1, 2005, multiply the product obtained under paragraph 2 by,
- i. \$1,811.20 per square metre, in the case of a proposal for sale, or
  - ii. \$131.75 per square metre, in the case of a proposal for lease.
- 5. Section 9 of the Regulation is revoked.**
- 6. (1) Clause 10 (2) (a) of the Regulation is amended by striking out “section 7, 8 or 9” and substituting “section 7 or 8”.**
- (2) Paragraph 2 of subsection 10 (5) of the Regulation is revoked.**
- 7. (1) Subsection 12 (1) of the Regulation is amended by striking out “section 7, 8 or 9” and substituting “section 7 or 8”.**
- (2) Clause 12 (3) (b) of the Regulation is amended by striking out “section 7, 8 or 9” and substituting “section 7 or 8”.**
- (3) Subsection 12 (4) of the Regulation is amended by striking out “section 7, 8 or 9” and substituting “section 7 or 8”.**
- 8. The Schedule to the Regulation is amended by,**
- (a) striking out “Ontario College of Art” and substituting “Ontario College of Art and Design”; and**
  - (b) adding “University of Ontario Institute of Technology”.**

## RÈGLEMENT DE L'ONTARIO 415/05

pris en application de la

### LOI SUR L'ÉDUCATION

pris le 21 juin 2005  
déposé le 29 juin 2005

modifiant le Règl. de l'Ont. 444/98  
(Aliénation de biens immeubles excédentaires)

Remarque : Le Règlement de l'Ontario 444/98 a été modifié antérieurement. Ces modifications sont indiquées dans le [Sommaire de l'historique législatif des règlements](http://www.lois-en-ligne.gouv.on.ca) qui se trouve sur le site [www.lois-en-ligne.gouv.on.ca](http://www.lois-en-ligne.gouv.on.ca).

- 1. (1) Les dispositions 8 à 11 du paragraphe 3 (1) du Règlement de l'Ontario 444/98 sont abrogées et remplacées par ce qui suit :**
- 8. La Couronne du chef de l'Ontario.
  - 9. La municipalité dans laquelle se trouve le bien.
  - 10. La municipalité de palier supérieur, si le bien se trouve dans une municipalité de palier supérieur.
  - 11. La régie locale des services publics, si le bien se trouve dans le secteur géographique dans lequel une régie locale des services publics peut exercer sa compétence.
- (2) Les dispositions 8 à 11 du paragraphe 3 (2) du Règlement sont abrogées et remplacées par ce qui suit :**
- 8. La Couronne du chef de l'Ontario.
  - 9. La municipalité dans laquelle se trouve le bien.
  - 10. La municipalité de palier supérieur, si le bien se trouve dans une municipalité de palier supérieur.
  - 11. La régie locale des services publics, si le bien se trouve dans le secteur géographique dans lequel une régie locale des services publics peut exercer sa compétence.

**(3) Les dispositions 8 à 11 du paragraphe 3 (3) du Règlement sont abrogées et remplacées par ce qui suit :**

8. La Couronne du chef de l'Ontario.
9. La municipalité dans laquelle se trouve le bien.
10. La municipalité de palier supérieur, si le bien se trouve dans une municipalité de palier supérieur.
11. La régie locale des services publics, si le bien se trouve dans le secteur géographique dans lequel une régie locale des services publics peut exercer sa compétence.

**(4) Les dispositions 8 à 11 du paragraphe 3 (4) du Règlement sont abrogées et remplacées par ce qui suit :**

8. La Couronne du chef de l'Ontario.
9. La municipalité dans laquelle se trouve le bien.
10. La municipalité de palier supérieur, si le bien se trouve dans une municipalité de palier supérieur.
11. La régie locale des services publics, si le bien se trouve dans le secteur géographique dans lequel une régie locale des services publics peut exercer sa compétence.

**(5) Le paragraphe 3 (5) du Règlement est abrogé.****(6) Le paragraphe 3 (6) du Règlement est modifié par substitution de «9 ou 10» à «8 ou 9».****2. (1) Les dispositions 7 à 10 du paragraphe 4 (1) du Règlement sont abrogées et remplacées par ce qui suit :**

7. La Couronne du chef de l'Ontario.
8. La municipalité dans laquelle se trouve le bien.
9. La municipalité de palier supérieur, si le bien se trouve dans une municipalité de palier supérieur.
10. La régie locale des services publics, si le bien se trouve dans le secteur géographique dans lequel une régie locale des services publics peut exercer sa compétence.

**(2) Les dispositions 6 à 8 du paragraphe 4 (2) du Règlement sont abrogées et remplacées par ce qui suit :**

6. La Couronne du chef de l'Ontario.
7. La municipalité dans laquelle se trouve le bien.
8. La régie locale des services publics, si le bien se trouve dans le secteur géographique dans lequel une régie locale des services publics peut exercer sa compétence.

**(3) Les dispositions 7 à 10 du paragraphe 4 (3) du Règlement sont abrogées et remplacées par ce qui suit :**

7. La Couronne du chef de l'Ontario.
8. La municipalité dans laquelle se trouve le bien.
9. La municipalité de palier supérieur, si le bien se trouve dans une municipalité de palier supérieur.
10. La régie locale des services publics, si le bien se trouve dans le secteur géographique dans lequel une régie locale des services publics peut exercer sa compétence.

**(4) Les dispositions 8, 8.1, 9 et 10 du paragraphe 4 (4) du Règlement sont abrogées et remplacées par ce qui suit :**

8. La Couronne du chef de l'Ontario.
9. La municipalité dans laquelle se trouve le bien.
10. La municipalité de palier supérieur, si le bien se trouve dans une municipalité de palier supérieur.
11. La Couronne du chef du Canada.

**(5) Le paragraphe 4 (5) du Règlement est abrogé.****(6) Le paragraphe 4 (6) du Règlement est abrogé et remplacé par ce qui suit :**

(6) L'organisme visé à la disposition 8 ou 9 du paragraphe (1), à la disposition 7 du paragraphe (2), à la disposition 8 ou 9 du paragraphe (3) ou à la disposition 9 ou 10 du paragraphe (4) auquel est présentée une proposition peut la renvoyer à n'importe lequel de ses conseils locaux, à l'exclusion d'un conseil scolaire.

**3. L'article 7 du Règlement est modifié par substitution de «de l'article 8» à «des articles 8 et 9».**

**4. (1) Le paragraphe 8 (2) du Règlement est modifié par suppression de «Sous réserve de l'article 9,» au début du paragraphe.**

**(2) Les dispositions 3 et 4 du paragraphe 8 (3) du Règlement sont abrogées et remplacées par ce qui suit :**

3. Jusqu'au 31 août 2005, multiplier le produit obtenu aux termes de la disposition 2 par l'une ou l'autre des sommes suivantes :
  - i. 1 284 \$ le mètre carré, dans le cas d'une proposition de vente,
  - ii. 120,77 \$ le mètre carré, dans le cas d'une proposition de location.
4. À compter du 1<sup>er</sup> septembre 2005, multiplier le produit obtenu aux termes de la disposition 2 par l'une ou l'autre des sommes suivantes :
  - i. 1 660,25 \$ le mètre carré, dans le cas d'une proposition de vente,
  - ii. 120,77 \$ le mètre carré, dans le cas d'une proposition de location.

**(3) Les dispositions 3 et 4 du paragraphe 8 (4) du Règlement sont abrogées et remplacées par ce qui suit :**

3. Jusqu'au 31 août 2005, multiplier le produit obtenu aux termes de la disposition 2 par l'une ou l'autre des sommes suivantes :
  - i. 1 383 \$ le mètre carré, dans le cas d'une proposition de vente,
  - ii. 131,75 \$ le mètre carré, dans le cas d'une proposition de location.
4. À compter du 1<sup>er</sup> septembre 2005, multiplier le produit obtenu aux termes de la disposition 2 par l'une ou l'autre des sommes suivantes :
  - i. 1 811,20 \$ le mètre carré, dans le cas d'une proposition de vente,
  - ii. 131,75 \$ le mètre carré, dans le cas d'une proposition de location.

**5. L'article 9 du Règlement est abrogé.****6. (1) L'alinéa 10 (2) a) du Règlement est modifié par substitution de «l'article 7 ou 8» à «l'article 7, 8 ou 9».****(2) La disposition 2 du paragraphe 10 (5) du Règlement est abrogée.****7. (1) Le paragraphe 12 (1) du Règlement est modifié par substitution de «l'article 7 ou 8» à «l'article 7, 8 ou 9».****(2) L'alinéa 12 (3) b) du Règlement est modifié par substitution de «l'article 7 ou 8» à «l'article 7, 8 ou 9».****(3) Le paragraphe 12 (4) du Règlement est modifié par substitution de «l'article 7 ou 8» à «l'article 7, 8 ou 9».****8. L'annexe du Règlement est modifiée :**

- a) d'une part, par substitution de «École d'art et de design de l'Ontario» à «Ontario College of Art»;
- b) d'autre part, par insertion de «Institut universitaire de technologie de l'Ontario».

Made by:  
Pris par :

*Le ministre de l'Éducation,*

GERARD KENNEDY  
*Minister of Education*

Date made: June 21, 2005.  
Pris le : 21 juin 2005.

29/05

**ONTARIO REGULATION 416/05**

made under the

**PLACES TO GROW ACT, 2005**

Made: June 22, 2005

Filed: June 29, 2005

**GROWTH PLAN AREAS****Definition**

1. In this Regulation,

“geographic area” means a geographic area that is prescribed for the purposes of the *Territorial Division Act, 2002*.

**Greater Golden Horseshoe growth plan area**

2. The area of land comprised of the following geographic areas is designated as the Greater Golden Horseshoe growth plan area:

1. Brant.
2. Dufferin.
3. Durham.
4. Haldimand.
5. Halton.
6. Hamilton.
7. Kawartha Lakes.
8. Niagara.
9. Northumberland.
10. Peel.
11. Peterborough.
12. Simcoe.
13. Toronto.
14. Waterloo.
15. Wellington.
16. York.

29/05

**ONTARIO REGULATION 417/05**

made under the

**ONTARIO DRUG BENEFIT ACT**

Made: June 27, 2005

Filed: June 29, 2005

Amending O. Reg. 201/96  
(General)

Note: Ontario Regulation 201/96 has previously been amended. Those amendments are listed in the [Table of Regulations – Legislative History Overview](#) which can be found at [www.e-Laws.gov.on.ca](http://www.e-Laws.gov.on.ca).

1. Section 7.1 of Ontario Regulation 201/96 is amended by adding the following paragraph:

11. Amendments dated June 30, 2005.

**2. This Regulation comes into force on the later of,**

**(a) June 30, 2005; and**

**(b) the day that is 10 days after the day it is filed, where the following are not included in calculating the 10 days:**

**(i) the day of filing, and**

**(ii) Saturdays and Sundays and other holidays within the meaning of the *Interpretation Act*.**

Made by:

GEORGE SMITHERMAN  
*Minister of Health and Long-Term Care*

Date made: June 27, 2005.

29/05

## ONTARIO REGULATION 418/05

made under the

### DRUG INTERCHANGEABILITY AND DISPENSING FEE ACT

Made: June 27, 2005

Filed: June 29, 2005

Amending Reg. 935 of R.R.O. 1990  
(General)

Note: Regulation 935 has previously been amended. Those amendments are listed in the [Table of Regulations – Legislative History Overview](#) which can be found at [www.e-Laws.gov.on.ca](http://www.e-Laws.gov.on.ca).

**1. The definition of “Formulary” in subsection 1 (1) of Regulation 935 of the Revised Regulations of Ontario, 1990 is amended by adding the following paragraph:**

17. Amendments dated June 30, 2005;

**2. This Regulation comes into force on the later of,**

**(a) June 30, 2005; and**

**(b) the day that is 10 days after the day it is filed, where the following are not included in calculating the 10 days:**

**(i) the day of filing, and**

**(ii) Saturdays and Sundays and other holidays within the meaning of the *Interpretation Act*.**

Made by:

GEORGE SMITHERMAN  
*Minister of Health and Long-Term Care*

Date made: June 27, 2005.

29/05

**ONTARIO REGULATION 419/05**

made under the

**ENVIRONMENTAL PROTECTION ACT**

Made: June 22, 2005

Filed: June 30, 2005

**AIR POLLUTION — LOCAL AIR QUALITY****CONTENTS****PART I  
INTERPRETATION AND APPLICATION**

1. Definitions
2. Points of impingement
3. Multiple discharges
4. Adjacent properties
5. Motor vehicles

**PART II  
CONTAMINANT CONCENTRATIONS AND DISPERSION MODELLING**

## DISPERSION MODELS

6. Approved dispersion models
7. Specified dispersion models
8. Negligible sources of contaminant
9. Same structure contamination
10. Operating conditions
11. Source of contaminant emission rates
12. Combined effect of assumptions for operating conditions and emission rates
13. Meteorological data
14. Area of modelling coverage
15. Stack height for certain new sources of contaminant
16. Terrain data
17. Averaging periods

## CONTAMINANT CONCENTRATION STANDARDS

18. Schedule 1 standards
19. Schedule 2 standards
20. Schedule 3 standards
21. More stringent standards in certificate of approval

## EMISSION SUMMARY AND DISPERSION MODELLING REPORTS

22. Requirement for ESDM report: certificates of approval
23. Requirement for ESDM report before implementation of Schedule 3 standards
24. Additional obligations to prepare ESDM report
25. Update of ESDM report
26. Contents of ESDM report
27. Retention of ESDM report, etc.

## NOTICE OF POSSIBLE CONTRAVENTIONS

28. Notice to provincial officer as a result of modelling or measurements
29. Abatement plan
30. Upper risk thresholds
31. Obligations under another Act; failure to operate in normal manner

## ALTERATION OF SCHEDULE 3 STANDARDS

32. Alteration of Schedule 3 standards

**PART III  
MISCELLANEOUS**

33. Prohibition of certain emissions
34. Opacity
35. Obligations under another Act; failure to operate in normal manner
36. Fuel or waste for fuel-burning equipment, etc.

37.	Construction and sandblasting emissions, etc.
38.	Incinerators
39.	Air Pollution Index
40.	Revocation of Reg. 346
41.	Commencement
Schedule 1	Standards with half hour averaging times
Schedule 2	Updated standards with half hour averaging times
Schedule 3	Standards with variable averaging times
Schedule 4	Target sectors for 2010
Schedule 5	Target sectors for 2013
Schedule 6	Upper risk thresholds
Schedule 7	Contaminants with updated standards

## PART I INTERPRETATION AND APPLICATION

### Definitions

1. (1) In this Regulation,

“air pollution episode” means an occasion when air contamination is at such a level and for such a period of time that the air contamination may become the cause of increased human sickness and mortality;

“air pollution index” means a series of numbers expressing the relative levels of air pollution and taking into consideration one or more air contaminants;

“Appendix to Regulation 346” means the Appendix to Regulation 346 of the Revised Regulations of Ontario, 1990 (General — Air Pollution) made under the Act, as that regulation read immediately before it was revoked on November 30, 2005;

“equipment” includes apparatus, device, mechanism or structure;

“emission rate” means a rate that expresses discharges of a contaminant in units of mass over time;

“fuel burning equipment” includes equipment designed to burn fuel but does not include an internal combustion engine;

“highway” means highway as defined in subsection 1 (1) of the *Highway Traffic Act*;

“incinerator” includes equipment used for the burning of waste;

“NAICS” means the North American Industry Classification System maintained for Canada by Statistics Canada, as amended or revised from time to time;

“volumetric flow rate” means a rate that expresses discharges from a source of contaminant in units of volume over time.

(2) For the purposes of this Regulation,

(a) a fossil-fuel electric power generation facility with a maximum electrical power output capacity of less than 25 megawatts shall be deemed not to be part of the class identified by NAICS code 221112 (Fossil-Fuel Electric Power Generation);

(b) a mobile PCB destruction facility within the meaning of Regulation 352 of the Revised Regulations of Ontario, 1990 (Mobile PCB Destruction Facilities) made under the Act shall be deemed not to be part of the class identified by NAICS code 5622 (Waste Treatment and Disposal); and

(c) subject to clause (b), a facility shall be deemed not to be part of the class identified by NAICS code 5622 (Waste Treatment and Disposal) unless the facility,

(i) is a solid waste combustor or incinerator, or

(ii) is used for hazardous waste treatment or disposal.

(3) In the Appendix to Regulation 346,

“point of emission” has the same meaning as in Regulation 346 of the Revised Regulations of Ontario, 1990 (General — Air Pollution) made under the Act, as that regulation read immediately before it was revoked on November 30, 2005.

### Points of impingement

2. (1) A reference in this Regulation to a point of impingement with respect to the discharge of a contaminant does not include any point that is located on the same property as the source of contaminant.

(2) Despite subsection (1), a reference in this Regulation to a point of impingement with respect to the discharge of a contaminant includes a point that is located on the same property as the source of contaminant, if that point is located on,

(a) a child care facility; or

- (b) a structure, if the primary purpose of the property on which the structure is located, and of the structure, is to serve as,
- (i) a health care facility,
  - (ii) a senior citizens' residence or long-term care facility, or
  - (iii) an educational facility.

**Multiple discharges**

**3.** (1) For the purposes of this Regulation, except section 34, two or more discharges of a contaminant from two or more different sources of contaminant shall be deemed to be a single discharge if the sources of contaminant are all located on the same property.

(2) If two or more persons discharge or cause or permit two or more discharges of a contaminant and the discharges are deemed to be a single discharge under subsection (1), the single discharge shall be deemed, for the purposes of this Regulation, to be discharged jointly by those persons.

**Adjacent properties**

**4.** (1) Two properties are adjacent for the purposes of this Regulation if the boundary of one property touches or, were it not for an intervening highway, road allowance, railway line, railway allowance or utility corridor, would touch the boundary of the other property.

(2) For the purposes of this Regulation, except section 34, two or more properties on which different sources of contaminant are located shall be deemed to be a single property if each of the properties is adjacent to one or more of the other properties and,

- (a) the persons responsible for the sources of contaminant have jointly notified the Director in writing that they wish the properties to be deemed to be a single property;
  - (b) the Director has reasonable grounds to believe that a contravention of section 18, 19 or 20 may occur as a result of discharges of a contaminant from the different sources of contaminant if the properties are deemed to be a single property, and the Director has given written notice of that belief to the persons responsible for the sources of contaminant; or
  - (c) the persons responsible for the sources of contaminant are required to prepare a report to which subsection 23 (3), 24 (2), 30 (5) or 32 (16) applies, the Director has reasonable grounds to believe that a contravention of section 20 may occur as a result of discharges of a contaminant from the different sources of contaminant if section 20 applies and the properties are deemed to be a single property, and the Director has given written notice of that belief to the persons responsible for the sources of contaminant.
- (3) Before the Director gives a person a notice under clause (2) (c), the Director shall give the person a draft of the notice and an opportunity to make written submissions to the Director during the period that ends 30 days after the draft is given.
- (4) Subsection (2) applies only if every property on which a source of contaminant is located,
- (a) uses raw materials, products or services from one or more of the other properties on which the sources of contaminant are located; or
  - (b) provides raw materials, products or services to one or more of the other properties on which the sources of contaminant are located.
- (5) Clause (2) (c) only applies for the purpose of preparing the report referred to in that clause.

**Motor vehicles**

**5.** This Regulation does not apply to discharges of contaminants from motor vehicles.

**PART II  
CONTAMINANT CONCENTRATIONS AND DISPERSION MODELLING**

**DISPERSION MODELS**

**Approved dispersion models**

**6.** (1) For the purposes of this Part, the method of calculation required by the Appendix to Regulation 346 is the approved dispersion model for discharges of a contaminant if section 18 or 19 applies to those discharges, except as otherwise provided.

(2) For the purposes of this Part, the following dispersion models are approved dispersion models for discharges of a contaminant if section 20 applies to those discharges, except as otherwise provided:

- 1. The SCREEN3 dispersion model made available on the Internet by the United States Environmental Protection Agency, as amended from time to time, or a copy of that model that is available from the Ministry.



2. The ISCST3 dispersion model made available on the Internet by the United States Environmental Protection Agency, as amended from time to time, or a copy of that model that is available from the Ministry.
3. The ISCPRIME dispersion model made available on the Internet by the United States Environmental Protection Agency, as amended from time to time, or a copy of that model that is available from the Ministry.
4. The AERMOD dispersion model made available on the Internet by the United States Environmental Protection Agency, as amended from time to time, or a copy of that model that is available from the Ministry.

(3) The Ministry shall make copies of the dispersion models referred to in subsection (2) available through a website maintained by the Ministry on the Internet or through the Ministry's Public Information Centre.

**Specified dispersion models**

7. (1) The Director may give written notice to a person who discharges or causes or permits the discharge of contaminants from a property stating that the Director is of the opinion that, with respect to discharges of a contaminant from that property,

- (a) one or more dispersion models specified in the notice would predict concentrations of the contaminant at least as accurately as an approved dispersion model;
- (b) a combination specified in the notice of two or more dispersion models would predict concentrations of the contaminant at least as accurately as an approved dispersion model;
- (c) a combination specified in the notice of one or more dispersion models and one or more sampling and measuring techniques would predict concentrations of the contaminant at least as accurately as an approved dispersion model; or
- (d) one or more approved dispersion models specified in the notice would predict concentrations of the contaminant less accurately than,
  - (i) a dispersion model or combination specified under clause (a), (b) or (c), or
  - (ii) another approved dispersion model.

(2) Before the Director gives a person a notice under subsection (1), the Director shall give the person a draft of the notice and an opportunity to make written submissions to the Director during the period that ends 30 days after the draft is given.

(3) If a notice is given under subsection (1) with respect to discharges of a contaminant from a property, a reference in this Part to an approved dispersion model shall be deemed, with respect to those discharges,

- (a) to include a dispersion model or combination specified under clause (1) (a), (b) or (c); and
- (b) not to include a dispersion model that is specified under clause (1) (d).

(4) Subsection (3) applies in respect of all contaminants unless the notice given under subsection (1) provides that subsection (3) applies only in respect of contaminants specified in the notice.

(5) Subsection (3) does not apply to a discharge of a contaminant until,

- (a) three months after the notice is given under subsection (1), unless clause (b) applies; or
- (b) one year after the notice is given under subsection (1), if the notice includes a notice under clause (1) (c).

(6) Subsection (5) does not apply for the purpose of preparing a report to which subsection 23 (3), 24 (2), 30 (5) or 32 (16) applies.

(7) Subsection (5) does not apply to a discharge of a contaminant if subsection (3) would have the effect of permitting the discharge.

(8) If a notice is given to a person under subsection (1) and section 20 does not apply to the person in respect of a contaminant, subsection (3) applies to the person in respect of the contaminant only after section 20 begins to apply to the person in respect of the contaminant.

(9) Despite subsection (8), if a notice is given to a person under subsection (1) and section 20 does not apply to the person in respect of a contaminant, subsection (3) applies to the person in respect of the contaminant for the purpose of preparing a report to which subsection 23 (3), 24 (2), 30 (5) or 32 (16) applies.

(10) The Director may, by written notice, revoke a notice given under subsection (1).

(11) Subsection (3) ceases to apply to discharges of the contaminant three months after the notice is given under subsection (10).

(12) Despite subsection (11), subsection (3) does not apply to a discharge of a contaminant after the notice is given under subsection (10) if subsection (3) would have the effect of prohibiting a discharge that would otherwise be permitted.

**Negligible sources of contaminant**

8. (1) It is not necessary, when using an approved dispersion model for the purposes of this Part, to consider a source of contaminant that discharges a negligible amount of the relevant contaminant, having regard to,

- (a) the total amount of the contaminant that is discharged by all the sources of contaminant with which the approved dispersion model is used; and
  - (b) the nature of the contaminant.
- (2) Despite subsection (1), the Director may give written notice to a person who discharges or causes or permits discharges of contaminants requiring the person to consider a source of contaminant specified in the notice when the person uses an approved dispersion model for the purposes of this Part, if,
- (a) the Director has reasonable grounds to believe that, if the source of contaminant is considered, the person may contravene section 18, 19 or 20; or
  - (b) the relevant contaminant is not listed in any of Schedules 1, 2 and 3 and the Director has reasonable grounds to believe that, if the source of contaminant is considered, a discharge of the relevant contaminant may cause an adverse effect.
- (3) Before the Director gives a person a notice under subsection (2), the Director shall give the person a draft of the notice and an opportunity to make written submissions to the Director during the period that ends 30 days after the draft is given.

**Same structure contamination**

9. (1) An approved dispersion model that is used for the purposes of this Part shall be used in combination with the methods described in Chapter 44 (Building Air Intake and Exhaust Design) of the ASHRAE Handbook — HVAC Applications, published by the American Society of Heating, Refrigerating and Air-Conditioning Engineers, as amended or revised from time to time, with respect to a point of impingement that is located on the same structure as the source of contaminant.

(2) This section applies only if the approved dispersion model is used with respect to a person and contaminant to which section 19 or 20 applies.

**Operating conditions**

10. (1) An approved dispersion model that is used for the purposes of this Part shall be used in accordance with one of the following scenarios:

- 1. A scenario that assumes operating conditions for the facility that would result, for the relevant contaminant, in the highest concentration of the contaminant at a point of impingement that the facility is capable of.
- 2. A scenario that uses actual operating data for the facility for the occasion when the highest concentration of the contaminant at a point of impingement resulted during,
  - i. the year preceding the year in which the model is being used, or
  - ii. the year in which the model is being used, if the facility did not operate at any time during the year referred to in subparagraph i.

(2) Despite subsection (1), the Director may give written notice to a person who discharges or causes or permits discharges of contaminants from a facility requiring the person to use an approved dispersion model for the purposes of this Part in accordance with the scenario described in paragraph 2 of subsection (1), if,

- (a) the Director has reasonable grounds to believe that the person may contravene section 18, 19 or 20; or
- (b) the relevant contaminant is not listed in any of Schedules 1, 2 and 3 and the Director has reasonable grounds to believe that the person has discharged or caused or permitted a discharge of the relevant contaminant into the air and that the discharge may cause an adverse effect.

(3) Before the Director gives a person a notice under subsection (2), the Director shall give the person a draft of the notice and an opportunity to make written submissions to the Director during the period that ends 30 days after the draft is given.

(4) Paragraph 2 of subsection (1) and subsection (2) do not apply if the facility did not operate at any time during the year in which the model is being used or during the year preceding the year in which the model is being used.

**Source of contaminant emission rates**

11. (1) An approved dispersion model that is used for the purposes of this Part shall be used with an emission rate for each source of contaminant that is determined in one of the following ways:

- 1. The emission rate is at least as high as the maximum emission rate that the source of contaminant is reasonably capable of for the relevant contaminant.
- 2. The emission rate is derived from site-specific testing of the source of contaminant that meets all of the following criteria:
  - i. The testing must be conducted comprehensively across a full range of operating conditions.
  - ii. The testing must be conducted according to a plan approved by the Director as likely to provide an accurate reflection of emissions.

iii. The Director must be given written notice at least 15 days before the testing and representatives of the Ministry must be given an opportunity to witness the testing.

iv. The Director must approve the results of the testing as an accurate reflection of emissions.

3. The emission rate is derived from a combination of a method that complies with paragraph 1 or 2 and ambient monitoring, according to a plan approved by the Director as likely to provide an accurate reflection of emissions.

(2) Despite subsection (1), the Director may give written notice to a person who discharges or causes or permits discharges of contaminants requiring the person to use an approved dispersion model for the purposes of this Part with an emission rate for each source of contaminant that is derived in accordance with paragraph 2 or 3 of subsection (1), if,

(a) the Director has reasonable grounds to believe that the person may contravene section 18, 19 or 20; or

(b) the relevant contaminant is not listed in any of Schedules 1, 2 and 3 and the Director has reasonable grounds to believe that the person has discharged or caused or permitted a discharge of the relevant contaminant into the air and that the discharge may cause an adverse effect.

(3) Before the Director gives a person a notice under subsection (2), the Director shall give the person a draft of the notice and an opportunity to make written submissions to the Director during the period that ends 30 days after the draft is given.

**Combined effect of assumptions for operating conditions and emission rates**

**12.** (1) Despite subsections 10 (1) and 11 (1), if an approved dispersion model is used in accordance with the scenario described in paragraph 1 of subsection 10 (1) and with emission rates determined in accordance with paragraph 1 of subsection 11 (1) and,

(a) the use of the model indicates that discharges of the relevant contaminant from the property may result in a contravention of section 18, 19 or 20; or

(b) the relevant contaminant is not listed in any of Schedules 1, 2 and 3 and the use of the model indicates that discharges of the contaminant may cause an adverse effect,

the approved dispersion model shall be used in accordance with the scenario described in paragraph 2 of subsection 10 (1) and with emission rates determined in accordance with paragraph 2 or 3 of subsection 11 (1).

(2) Despite subsection (1), an approved dispersion model may be used in accordance with the scenario described in paragraph 1 of subsection 10 (1) or with emission rates determined in accordance with paragraph 1 of subsection 11 (1), but not with both, if,

(a) the model does not indicate that discharges of the relevant contaminant from the property may result in a contravention of section 18, 19 or 20; or

(b) the relevant contaminant is not listed in any of Schedules 1, 2 and 3 and the use of the model does not indicate that discharges of the contaminant may cause an adverse effect,

(3) This section does not apply to a contaminant if a written abatement plan for discharges of the contaminant from the property has been prepared and submitted to a provincial officer in accordance with section 29.

**Meteorological data**

**13.** (1) An approved dispersion model that is used for the purposes of this Part shall be used with one of the following types of meteorological data:

1. Regional meteorological data for the part of Ontario in which the source of contaminant is located that was available on May 10, 2005, and that continues to be available, through the Ministry's Public Information Centre.

2. Data described in paragraph 1 that has been refined to reflect local land use conditions.

3. Local or site-specific meteorological data approved by the Director as an accurate reflection of meteorological conditions.

4. Data obtained from a computational method, if the Director is of the opinion that the data is at least as accurate as data that would be obtained by local or site-specific meteorological monitoring.

(2) Despite subsection (1), the Director may give written notice to a person who discharges or causes or permits the discharge of a contaminant requiring that an approved dispersion model that is used for the purposes of this Part be used with a type of meteorological data specified in the notice that, in the opinion of the Director, accurately reflects meteorological conditions.

(3) Before the Director gives a person a notice under subsection (2), the Director shall give the person a draft of the notice and an opportunity to make written submissions to the Director during the period that ends 30 days after the draft is given.

(4) This section applies only if the approved dispersion model is used with respect to a person and contaminant to which section 20 applies.

**Area of modelling coverage**

**14.** (1) Subject to subsections (2) and (3), an approved dispersion model that is used for the purposes of this Part shall be used in a manner that predicts the concentration of the relevant contaminant at points of impingement separated by intervals of,

- (a) 20 metres or less, in an area that is bounded by a rectangle, where every point on the boundary of the rectangle is at least 200 metres from every source of contaminant;
- (b) 50 metres or less, in an area that surrounds the area described in clause (a) and that is bounded by a rectangle, where every point on the rectangle is at least 300 metres from the area described in clause (a);
- (c) 100 metres or less, in an area that surrounds the area described in clause (b) and that is bounded by a rectangle, where every point on the rectangle is at least 800 metres from the area described in clause (a);
- (d) 200 metres or less, in an area that surrounds the area described in clause (c) and that is bounded by a rectangle, where every point on the rectangle is at least 1,800 metres from the area described in clause (a);
- (e) 500 metres or less, in an area that surrounds the area described in clause (d) and that is bounded by a rectangle, where every point on the rectangle is at least 4,800 metres from the area described in clause (a);
- (f) 1,000 metres or less, in the area that surrounds the area described in clause (e).

(2) It is not necessary to use an approved dispersion model for the purposes of this Part in a manner that predicts the concentration of the relevant contaminant at a point of impingement if the distance from that point of impingement to the property on which the sources of contaminant are located is greater than the distance from the point of impingement where the concentration of that contaminant would be highest, according to the approved dispersion model, to the property on which the sources of contaminant are located.

(3) If an approved dispersion model is used for the purposes of this Part with respect to a property on which sources of contaminant are located and any point on the property boundary of the property is within 200 metres of any source of contaminant, the model shall be used in a manner that predicts the concentration of the relevant contaminant at points of impingement along the entire property boundary, and those points of impingement shall be separated by intervals of 10 metres or less.

(4) Despite subsections (1) to (3), the Director may give written notice to a person who discharges or causes or permits the discharge of a contaminant requiring that an approved dispersion model that is used for the purposes of this Part be used in a manner that predicts the concentration of the relevant contaminant at points of impingement described in the notice.

(5) Before the Director gives a person a notice under subsection (4), the Director shall give the person a draft of the notice and an opportunity to make written submissions to the Director during the period that ends 30 days after the draft is given.

(6) Subsections (1) to (5) apply only if the approved dispersion model is used with respect to a person and contaminant to which section 20 applies.

(7) With respect to points of impingement on structures that are above ground level, an approved dispersion model that is used for the purposes of this Part shall be used in a manner that predicts the concentration of the relevant contaminant at a sufficient number of points of impingement on those structures to identify any points where discharges of the contaminant may result in an adverse effect or a contravention of section 18, 19 or 20.

**Stack height for certain new sources of contaminant**

**15.** (1) This section applies to a source of contaminant if all of the following criteria are met:

1. The source of contaminant discharges contaminants directly into the natural environment.
2. Construction of the source of contaminant began after November 30, 2005.
3. No application was made on or before November 30, 2005 for a certificate of approval in respect of the source of contaminant.
4. The source of contaminant is located in an area around a structure that is bounded by a circle that has a radius of five times the lesser of the following:
  - i. The height above ground level of the structure.
  - ii. The greatest width presented to the wind by the structure, measured perpendicularly to the direction of the wind.

(2) If an approved dispersion model is used for the purposes of this Part with respect to a source of contaminant to which this section applies, the height at which contaminants are discharged into the air from the source of contaminant that is used with the model must be the lower of the following heights:

1. The actual height above ground level at which contaminants are discharged into the air from the source of contaminant.

2. The higher of the following heights:

- i. Sixty-five metres.
- ii. The height described in subsection (3).

(3) The height referred to in subparagraph 2 ii of subsection (2) is the height determined by the following formula:

$$A + (1.5 \times B)$$

where,

A = the height above ground level of the structure referred to in paragraph 4 of subsection (1),

B = the lesser of,

- i. the height above ground level of the structure referred to in paragraph 4 of subsection (1), and
- ii. the greatest width presented to the wind by the structure referred to in paragraph 4 of subsection (1), measured perpendicularly to the direction of the wind.

(4) If paragraph 4 of subsection (1) applies to a source of contaminant in respect of more than one structure, the references in subsection (3) to the structure referred to in paragraph 4 of subsection (1) shall be deemed to be references to the structure for which the height referred to in subparagraph 2 ii of subsection (2) is the greatest.

(5) This section applies only if the approved dispersion model is used with respect to a person and contaminant to which section 20 applies.

#### **Terrain data**

16. (1) If an approved dispersion model is used for the purposes of this Part with respect to any point of impingement that has an elevation higher than the lowest point from which the relevant contaminant is discharged from a source of contaminant, the model shall be used in a manner that employs terrain data.

(2) This section applies only if the approved dispersion model is used with respect to a person and contaminant to which section 20 applies.

#### **Averaging periods**

17. (1) If a provision of this Part refers to an approved dispersion model being used in connection with a standard that applies to a specified averaging period, the following rules apply for the purposes of this Part:

1. If an approved dispersion model was designed to be used for the specified averaging period, it shall be used as it was designed for that averaging period.
2. If an approved dispersion model was not designed to be used for the specified averaging period but was designed to be used for an averaging period shorter than the specified averaging period, the model may be used as it was designed for the shorter averaging period if the result produced by the model is adjusted in accordance with subsection (2).
3. If the specified averaging period is less than one hour and an approved dispersion model was designed to be used for a one hour period, the model may be used as it was designed for a one hour period if the result produced by the model is adjusted in accordance with subsection (2).
4. If the use of an approved dispersion model is not authorized or required by paragraph 1, 2 or 3, the model shall not be used.

(2) If a provision of this Part refers to an approved dispersion model being used in connection with a standard that applies to a specified averaging period,

- (a) the result produced by the approved dispersion model shall be multiplied by the amount determined in accordance with subsection (3), if the model is used under paragraph 2 of subsection (1); and
- (b) the result produced by the approved dispersion model shall be divided by the amount determined in accordance with subsection (3), if the model is used under paragraph 3 of subsection (1).

(3) The amount referred to in clauses (2) (a) and (b) is the amount determined in accordance with the following formula:

$$(t_0 \div t_1)^n$$

where,

$t_0$  = the shorter of,

- i. the averaging period that the approved dispersion model was designed to be used for, expressed in hours, and
- ii. the specified averaging period, expressed in hours,

$t_1$  = the longer of,

- i. the averaging period that the approved dispersion model was designed to be used for, expressed in hours, and

ii. the specified averaging period, expressed in hours,

$n = 0.28$  or, if the Director is satisfied that another number would result in an adjustment that produces a more accurate prediction of the concentration of the relevant contaminant, the other number.

(4) This section applies only if the approved dispersion model is used with respect to a person and contaminant to which section 20 applies.

#### CONTAMINANT CONCENTRATION STANDARDS

##### Schedule 1 standards

**18.** (1) A person shall not, before February 1, 2010, discharge or cause or permit the discharge of a contaminant listed in Schedule 1 into the air if the discharge results in the concentration of the contaminant at a point of impingement exceeding the half hour standard set out for the contaminant in Schedule 1.

(2) A person shall not, before February 1, 2010, discharge or cause or permit the discharge of a contaminant listed in Schedule 1 into the air if the discharge would result, according to the method of calculation required by the Appendix to Regulation 346, in the concentration of the contaminant at a point of impingement exceeding the half hour standard set out for the contaminant in Schedule 1.

(3) This section does not apply to a discharge from a facility if,

(a) the facility is part of a class identified by a NAICS code listed in Schedule 4 or 5, construction of the facility began after November 30, 2005 and no application was made on or before that day for a certificate of approval in respect of the facility; or

(b) section 20 applies to discharges of the contaminant from the facility pursuant to a notice under subsection 20 (4).

##### Schedule 2 standards

**19.** (1) A person shall not, after January 31, 2010 and before February 1, 2020, discharge or cause or permit the discharge of a contaminant listed in Schedule 2 into the air if the discharge results in the concentration of the contaminant at a point of impingement exceeding the half hour standard set out for the contaminant in Schedule 2.

(2) A person shall not, after January 31, 2010 and before February 1, 2020, discharge or cause or permit the discharge of a contaminant listed in Schedule 2 into the air if the discharge would result, according to the method of calculation required by the Appendix to Regulation 346, in the concentration of the contaminant at a point of impingement exceeding the half hour standard set out for the contaminant in Schedule 2.

(3) This section does not apply to a discharge of a contaminant from a facility if,

(a) the facility is part of a class identified by a NAICS code listed in Schedule 4;

(b) the facility is part of a class identified by a NAICS code listed in Schedule 5, other than a class identified by a NAICS code listed in Schedule 4, and,

(i) the discharge occurs on or after February 1, 2013, or

(ii) construction of the facility began after November 30, 2005 and no application was made on or before that day for a certificate of approval in respect of the facility; or

(c) section 20 applies to discharges of the contaminant from the facility pursuant to a notice or order under subsection 20 (4) or (5).

##### Schedule 3 standards

**20.** (1) A person shall not discharge or cause or permit the discharge of a contaminant listed in Schedule 3 into the air if a standard is set out in that Schedule for the contaminant for a specified averaging period and the discharge results in the concentration of the contaminant at a point of impingement exceeding that standard.

(2) A person shall not discharge or cause or permit the discharge of a contaminant listed in Schedule 3 into the air if a standard is set out in that Schedule for the contaminant for a specified averaging period and the discharge would result, according to an approved dispersion model, in the concentration of the contaminant at a point of impingement exceeding that standard.

(3) This section does not apply to a discharge of a contaminant from a facility unless,

(a) the facility is part of a class identified by a NAICS code listed in Schedule 4 and,

(i) the discharge occurs on or after February 1, 2010, or

(ii) construction of the facility began after November 30, 2005 and no application was made on or before that day for a certificate of approval in respect of the facility;

(b) the facility is part of a class identified by a NAICS code listed in Schedule 5, other than a class identified by a NAICS code listed in Schedule 4, and,

- (i) the discharge occurs on or after February 1, 2013, or
  - (ii) construction of the facility began after November 30, 2005 and no application was made on or before that day for a certificate of approval in respect of the facility;
- (c) the Director has, in respect of the facility, approved a request under section 32 to alter the standard set out in Schedule 3 for the contaminant;
- (d) compliance with this section is required by a notice given or order made by the Director under subsection (4) or (5) in respect of discharges of the contaminant from the facility; or
- (e) the discharge occurs on or after February 1, 2020.
- (4) The Director may give a person who discharges or causes or permits discharges of contaminants from a facility notice requiring the person to comply with this section, beginning on a date specified in the notice that is not later than January 31, 2020, if the notice is requested in writing by the person.
- (5) The Director may order a person who discharges or causes or permits discharges of contaminants from a facility to comply with this section, beginning on a date specified in the order that is not earlier than February 1, 2010, is not earlier than three months after the order is made and is not later than January 31, 2020, if,
- (a) a report to which subsection 23 (3), 24 (2), 30 (5) or 32 (16) applies has been prepared and the report indicates that, if this section applied, discharges of a contaminant from the facility might result in a contravention of this section; and
  - (b) the Director is of the opinion that discharges of the contaminant from the facility may result in an adverse effect.
- (6) A notice or order under subsection (4) or (5) applies in respect of all contaminants unless the notice or order provides that it applies only in respect of contaminants specified in the notice or order.

**More stringent standards in certificate of approval**

21. Sections 18, 19 and 20 do not apply to a discharge of a contaminant if a certificate of approval imposes a more stringent standard.

EMISSION SUMMARY AND DISPERSION MODELLING REPORTS

**Requirement for ESDM report: certificates of approval**

22. (1) A person who applies for a certificate of approval or amendment to a certificate of approval in respect of a facility that discharges or will discharge a contaminant into the air shall prepare a report in accordance with section 26 and submit it to the Director as part of the application.

(2) Subsection (1) does not apply to a person if the Director is satisfied that the impact of discharges of contaminants can effectively be evaluated by other methods.

**Requirement for ESDM report before implementation of Schedule 3 standards**

23. (1) A person who discharges or causes or permits discharges of a contaminant into the air shall, before February 1, 2010, prepare a report in accordance with section 26 if, pursuant to subclause 20 (3) (a) (i), section 20 will first apply to those discharges on that date.

(2) A person who discharges or causes or permits discharges of a contaminant into the air shall, before February 1, 2013, prepare a report in accordance with section 26 if, pursuant to subclause 20 (3) (b) (i), section 20 will first apply to those discharges on that date.

(3) If a person is required to prepare a report under this section, section 20 shall be deemed to apply for the purpose of preparing the report.

**Additional obligations to prepare ESDM report**

24. (1) The Director may give a person written notice requiring the person to prepare a report in accordance with section 26 and submit the report to the Director if the Director has reasonable grounds to believe that,

- (a) the person may contravene section 18, 19 or 20;
- (b) the person discharges or causes or permits the discharge of a contaminant into the air and the discharge may cause an adverse effect; or
- (c) the person discharges or causes or permits discharges of a contaminant into the air from two or more different sources of contaminant, the sources of contaminant are all located on the same property, and the person has never prepared a report in accordance with section 26 or a report that the Director considers equivalent to a report prepared in accordance with section 26.

(2) If a notice is given under subsection (1) to a person to whom section 18 or 19 applies in respect of a contaminant, the notice may require the report to be prepared as if section 20 applied and, in that case, section 20 shall be deemed to apply for the purpose of preparing the report.

(3) Before the Director gives a person a notice under subsection (1), the Director shall give the person a draft of the notice and an opportunity to make written submissions to the Director during the period that ends 15 days after the draft is given.

**Update of ESDM report**

**25.** (1) If a report was prepared under section 23 that was required by that section to be prepared before February 1 in a year, the person who discharges or causes or permits discharges of contaminants from the property to which the report relates shall update the report in accordance with section 26 so that the information in the report is accurate as of December 31 in that year.

(2) If a person updates a report under subsection (1) or this subsection, the person who discharges or causes or permits discharges of contaminants from the property to which the report relates shall update the report again in accordance with section 26 so that the information in the report is accurate as of December 31 in the year in which the last update was required to be completed under subsection (8).

(3) If a report is prepared under subsection 22 (1) in respect of a facility that is part of a class identified by a NAICS code listed in Schedule 4, construction of the facility began after November 30, 2005 and no application was made on or before that day for a certificate of approval in respect of the facility, the person who discharges or causes or permits discharges of contaminants from the property to which the report relates shall update the report in accordance with section 26 so that the information in the report is accurate as of December 31 in the year the report was prepared.

(4) If a report was prepared under subsection 22 (1) in respect of a facility that is part of a class identified by a NAICS code listed in Schedule 5, other than a class identified by a NAICS code listed in Schedule 4, construction of the facility began after November 30, 2005 and no application was made on or before that day for a certificate of approval in respect of the facility, the person who discharges or causes or permits discharges of contaminants from the property to which the report relates shall update the report in accordance with section 26 so that the information in the report is accurate as of December 31 in the year the report was prepared.

(5) If a report was prepared under subsection 24 (1) or 30 (4) or paragraph 1 of subsection 32 (13), the person who discharges or causes or permits discharges of contaminants from the property to which the report relates shall update the report in accordance with section 26 so that the information in the report is accurate as of December 31 in the year the report was prepared.

(6) Subsection (5) does not apply if the Director is satisfied that discharges of contaminants from the property will not result in a contravention of section 18, 19 or 20 and is not likely to cause an adverse effect.

(7) If a report is updated under subsection (3), (4) or (5) or this subsection, the person who discharges or causes or permits discharges of contaminants from the property to which the report relates shall update the report again in accordance with section 26 so that the information in the report is accurate as of December 31 in the year in which the last update was required to be completed under subsection (8).

(8) If a person is required under this section to update a report so that the information in the report is accurate as of December 31 in a year, the person shall complete the update not later than March 31 in the following year.

(9) A person who is required under subsection (8) to complete the update of a report not later than March 31 in a year shall, as soon as practicable after that date, notify a provincial officer in writing if the person has started to use an approved dispersion model with respect to a contaminant for the purpose of completing the update but has not yet complied with section 12, and,

- (a) the use of the model indicates that discharges of the contaminant may result in a contravention of section 18, 19 or 20; or
- (b) the contaminant is not listed in any of Schedules 1, 2 and 3 and the use of the model indicates that discharges of the contaminant may cause an adverse effect.

(10) If a person is required to give notice under subsection (9), the Director may require the person to provide the Director with the following:

1. A written statement or map identifying the location of any point of impingement where the use of the approved dispersion model indicates that discharges of the contaminant may result in a contravention of section 18, 19 or 20 or cause an adverse effect.
2. A written statement specifying the highest concentration of the contaminant that the approved dispersion model predicts for the point of impingement.
3. A written statement specifying the number of days for which the approved dispersion model predicts that discharges of the contaminant may result in a contravention of section 18, 19 or 20 or cause an adverse effect because of the concentration of the contaminant at the point of impingement, expressed as a percentage of the number of days in,
  - i. a period of five years, if the approved dispersion model was used in accordance with meteorological data described in paragraph 1 or 2 of subsection 13 (1),



- ii. a period equal to the length of the period over which the meteorological data was collected, if the approved dispersion model was used in accordance with local or site-specific meteorological data described in paragraph 3 of subsection 13 (1), or
- iii. a period equal to the length of the period that was used for the purposes of the computational method, if the approved dispersion model was used in accordance with meteorological data obtained from a computational method in accordance with paragraph 4 of subsection 13 (1).

(11) If a person is required to give notice under subsection (9) and, according to measurements of air samples collected at a point of impingement, discharges of the contaminant may result in a contravention of section 18, 19 or 20 or cause an adverse effect because of the concentration of the contaminant at the point of impingement, the Director may require the person to provide the Director in writing with the following:

- 1. A written statement or map identifying the location of the point of impingement.
- 2. A written statement specifying the number of air samples that were collected at the point of impingement and measured for the contaminant.
- 3. A written statement specifying the number of air samples that were collected at the point of impingement and measured for the contaminant and that indicated that discharges of the contaminant may result in a contravention of section 18, 19 or 20 or cause an adverse effect because of the concentration of the contaminant at the point of impingement, expressed as a percentage of the number of air samples referred to in paragraph 2.

**Contents of ESDM report**

26. (1) A report that is required to be prepared or updated in accordance with this section must contain the following:

- 1. A description of the activities that are engaged in on the property from which contaminants are discharged, including, if anything is produced on the property,
  - i. a description of what is produced and a statement of the amount of product that is produced on each day that the production process operates in accordance with the operating conditions described in paragraph 6,
  - ii. a description of the steps involved in the production process, including a drawing of the process,
  - iii. a description of the materials used in the production process, and
  - iv. a statement of the number of weeks per year, the number of days per week and the number of hours per day that the production process is in operation.
- 2. Subject to subsections (2) and (3), a list of all contaminants that are discharged from the property and, for each of those contaminants, a list of all the sources of contaminant that are located on the property.
- 3. For each source of contaminant listed for a contaminant under paragraph 2,
  - i. a description of the source of contaminant, including the location of the source of contaminant,
  - ii. an indication of whether the source of contaminant was considered when using an approved dispersion model in respect of the contaminant for the purpose of this section, and
  - iii. if, pursuant to section 8, the source of contaminant was not considered when using an approved dispersion model in respect of the contaminant for the purpose of this section, an explanation of how it was determined that the source of contaminant discharges a negligible amount of the contaminant.
- 4. Subject to subsections (2) and (3), a list of all contaminants that are discharged from the property in an amount that is not negligible.
- 5. For each contaminant listed under paragraph 2 that is discharged from the property in an amount that is negligible, an explanation of how it was determined that the amount is negligible.
- 6. For each contaminant listed under paragraph 4, a description of the operating conditions that were used in accordance with section 10 when using an approved dispersion model in respect of the contaminant for the purpose of this section.
- 7. For each source of contaminant identified under subparagraph 3 ii as a source of contaminant that was considered, with respect to a contaminant listed under paragraph 4, when using an approved dispersion model for the purpose of this section,
  - i. an explanation, for each averaging period used with respect to that contaminant and source of contaminant, of the method used to estimate the emission rate for the contaminant and source of contaminant,
  - ii. a sample calculation illustrating each method explained under subparagraph i, and
  - iii. an assessment of how accurately each method explained under subparagraph i estimates the emission rate, including an assessment of whether the method is more likely to overestimate or underestimate the emission rate and an assessment of how significant the overestimate or underestimate may be.

8. A table, labelled as the "Source Summary Table", that shows, for each source of contaminant identified under subparagraph 3 ii as a source of contaminant that was considered, with respect to a contaminant listed under paragraph 4, when using an approved dispersion model for the purpose of this section,
  - i. a label that identifies the source of contaminant,
  - ii. the averaging periods for which the approved dispersion model was used with respect to that contaminant and source of contaminant,
  - iii. for each averaging period referred to in subparagraph ii,
    - A. the emission rate for the contaminant and source of contaminant,
    - B. an indication of the method used to estimate the emission rate for the contaminant and source of contaminant,
    - C. an indication of how significantly the method used may overestimate or underestimate the emission rate for the contaminant and source of contaminant, and
    - D. the percentage that the emission rate for the contaminant and source of contaminant represents of the total emission rate for the contaminant and all sources of contaminant that were considered, with respect to the contaminant, when using an approved dispersion model for the purpose of this section,
  - iv. the volumetric flow rate for discharges from the source of contaminant,
  - v. the temperature of discharges from the source of contaminant,
  - vi. the height above ground level that discharges are released into the air from the source of contaminant,
  - vii. the difference between the height referred to in subparagraph vi and the height above ground level of the structure that is nearest to the source of contaminant and is on the same property, and an indication of whether discharges are released into the air from the source of contaminant at a height above or below the top of that structure, and
  - viii. the dimensions of the part of the source of contaminant from which discharges are released into the natural environment.
9. A plan of the property from which contaminants are discharged, drawn to scale, that shows,
  - i. the property boundary,
  - ii. the co-ordinates for sufficient points on the property boundary to accurately describe the boundary,
  - iii. each source of contaminant identified under subparagraph 3 ii as a source of contaminant that was considered when using an approved dispersion model for the purpose of this section and, for each source of contaminant, the label referred to in subparagraph 8 i,
  - iv. the location, dimensions and elevation of every structure on the property, and
  - v. an indication of which structures referred to in subparagraph iv contain child care facilities.
10. A description of the local land use conditions, if meteorological data described in paragraph 2 of subsection 13 (1) was used when using an approved dispersion model for the purpose of this section.
11. For each contaminant listed under paragraph 4, a statement identifying the approved dispersion model that was used for the purpose of this section and a description of the way in which the approved dispersion model was used that is sufficient to show compliance with sections 8 to 17.
12. An electronic copy of the input files that were used with, and the output files that were produced by, the approved dispersion model that was used for the purpose of this section.
13. A description of the terrain data that was employed when using an approved dispersion model for the purpose of this section, if section 16 required terrain data to be employed.
14. A table, labelled as the "Emissions Summary Table", that shows, for each contaminant listed under paragraph 4,
  - i. the Chemical Abstracts Service Registry Number for the contaminant,
  - ii. the approved dispersion model that was used in respect of the contaminant for the purpose of this section,
  - iii. the averaging periods for which the approved dispersion model was used in respect of the contaminant and, for each averaging period, the sum of the emission rates for the contaminant for all sources of contaminant identified under subparagraph 3 ii as a source of contaminant that was considered when using an approved dispersion model for the purpose of this section,
  - iv. the standard set out for the contaminant in,
    - A. Schedule 1, if section 18 applies to the contaminant,

- B. Schedule 2, if section 19 applies to the contaminant, or
  - C. Schedule 3, if section 20 applies to the contaminant,
  - v. the concentration predicted by the approved dispersion model for the point of impingement with the highest concentration,
  - vi. a comparison of the concentration referred to in subparagraph v and the standard referred to in subparagraph iv, expressed as a percentage of the standard, if section 18, 19 or 20 applies to the contaminant,
  - vii. the location of the point of impingement referred to in subparagraph v, if section 18, 19 or 20 applies to the contaminant and the concentration referred to in subparagraph v exceeds the standard referred to in subparagraph iv, and
  - viii. an indication of the likelihood, nature and location of any adverse effect, if the contaminant is not listed in any of Schedules 1, 2 and 3.
15. An executive summary of the information referred to in paragraphs 1 to 14 that includes, in full, the table required by paragraph 14.
16. A table of contents.

(2) If a report is required by section 22 to be prepared in accordance with this section, it is not necessary for the lists of contaminants required by paragraphs 2 and 4 of subsection (1) to include any contaminant other than the contaminants that are relevant to the application for a certificate of approval or for an amendment to a certificate of approval.

(3) If a report is required by subsection 30 (4) to be prepared in accordance with this section, it is not necessary for the lists of contaminants required by paragraphs 2 and 4 of subsection (1) to include any contaminant other than the contaminant in respect of which the Director must be notified under subsection 30 (3).

**Retention of ESDM report, etc.**

27. (1) A person who prepares or updates a report that is required to be prepared or updated in accordance with section 26 shall keep a copy of the most up-to-date report at the place to which the report relates.

(2) A person who prepares or updates a report that is required to be prepared or updated in accordance with section 26 shall immediately submit a copy of the report to the Director or to a provincial officer on request.

(3) A person who prepares or updates a report that is required to be prepared or updated in accordance with section 26 shall ensure that the executive summary referred to in paragraph 15 of subsection 26 (1) is made available for examination by any person, without charge, by posting it on the Internet or by making it available during regular business hours at the place to which the report relates.

NOTICE OF POSSIBLE CONTRAVENTIONS

**Notice to provincial officer as a result of modelling or measurements**

28. (1) A person who discharges or causes or permits the discharge of a contaminant shall, as soon as practicable, notify a provincial officer in writing if,

- (a) the person uses an approved dispersion model to predict concentrations of the contaminant that result from the discharges and,
  - (i) the use of the model indicates that discharges of the contaminant may result in a contravention of section 18, 19 or 20, or
  - (ii) the contaminant is not listed in any of Schedules 1, 2 and 3 and the use of the model indicates that discharges of the contaminant may cause an adverse effect;
- (b) measurements of air samples indicate that discharges of the contaminant may result in a contravention of section 18, 19 or 20; or
- (c) the contaminant is not listed in any of Schedules 1, 2 and 3 and measurements of air samples indicate that discharges of the contaminant may cause an adverse effect.

(2) If a person is required to give notice under clause (1) (a) and, according to the approved dispersion model, discharges of the contaminant may result in a contravention of section 18, 19 or 20 or cause an adverse effect because of the concentration of the contaminant at a point of impingement, the Director may require the person to provide the Director with the following:

- 1. A written statement or map identifying the location of the point of impingement.
- 2. A written statement specifying the highest concentration of the contaminant that the approved dispersion model predicts for the point of impingement.

3. A written statement specifying the number of days for which the approved dispersion model predicts that discharges of the contaminant may result in a contravention of section 18, 19 or 20 or cause an adverse effect because of the concentration of the contaminant at the point of impingement, expressed as a percentage of the number of days in,
  - i. a period of five years, if the approved dispersion model was used in accordance with meteorological data described in paragraph 1 or 2 of subsection 13 (1),
  - ii. a period equal to the length of the period over which the meteorological data was collected, if the approved dispersion model was used in accordance with local or site-specific meteorological data described in paragraph 3 of subsection 13 (1), or
  - iii. a period equal to the length of the period that was used for the purposes of the computational method, if the approved dispersion model was used in accordance with meteorological data obtained from a computational method in accordance with paragraph 4 of subsection 13 (1).

(3) If a person is required to give notice under clause (1) (b) or (c) and, according to measurements of air samples collected at a point of impingement, discharges of the contaminant may result in a contravention of section 18, 19 or 20 or cause an adverse effect because of the concentration of the contaminant at the point of impingement, the Director may require the person to provide the Director in writing with the following:

1. A written statement or map identifying the location of the point of impingement.
2. A written statement specifying the number of air samples that were collected at the point of impingement and measured for the contaminant.
3. A written statement specifying the number of air samples that were collected at the point of impingement and measured for the contaminant and that indicated that discharges of the contaminant may result in a contravention of section 18, 19 or 20 or cause an adverse effect because of the concentration of the contaminant at the point of impingement, expressed as a percentage of the number of air samples referred to in paragraph 2.

#### **Abatement plan**

**29.** (1) A person who gives a notice to a provincial officer under subsection 28 (1) in respect of a contaminant shall, not later than 30 days after giving the notice, prepare and submit to a provincial officer a written abatement plan for the contaminant that recommends steps that should be taken to prevent discharges of the contaminant from resulting in a contravention of section 18, 19 or 20 or an adverse effect.

(2) Subsection (1) does not apply if,

- (a) an abatement plan for the contaminant has previously been submitted to a provincial officer under subsection (1) and the Director is satisfied that another plan is not necessary; or
- (b) a plan for the contaminant was submitted to the Ministry before November 30, 2005 and the Director is satisfied that it is not necessary to prepare and submit an abatement plan under subsection (1).

#### **Upper risk thresholds**

**30.** (1) A person who discharges or causes or permits the discharge of a contaminant listed in Schedule 6 into the air shall comply with subsections (3) and (4) if there is reason to believe, based on any relevant information, that discharges of the contaminant may result in the concentration of the contaminant exceeding the half hour upper risk threshold or other time period upper risk threshold set out for that contaminant in Schedule 6 at a point of impingement.

(2) Without limiting the generality of subsection (1), the reference in that subsection to relevant information includes relevant information from predictions of a dispersion model, including,

- (a) an approved dispersion model or other dispersion model; or
- (b) a dispersion model that is not used in accordance with this Regulation.

(3) If subsection (1) applies to a discharge, the person who discharged or caused or permitted the discharge of the contaminant shall immediately notify the Director in writing.

(4) If subsection (1) applies to a discharge, the person who discharged or caused or permitted the discharge of the contaminant shall, within three months after the discharge, prepare a report in accordance with section 26 and submit the report to the Director.

(5) If a person is required to prepare a report under subsection (4) and section 20 does not apply to the person in respect of the contaminant, section 20 shall be deemed to apply for the purpose of preparing the report and for the purpose of subsections (7) and (8).

(6) Paragraphs 1 and 2 of subsection 13 (1) do not apply to a person who prepares a report required by subsection (4) unless meteorological data described in paragraphs 3 and 4 of subsection 13 (1) is not available and cannot reasonably be available in time to prepare the report within the three-month period referred to in subsection (4).

(7) If, according to an approved dispersion model that is used for the purpose of preparing a report under subsection (4), discharges of a contaminant may result in a contravention of section 20 because of the concentration of the contaminant at a point of impingement located on a place referred to in subsection (8), the person who prepares the report shall include in the report,

- (a) a statement or map identifying the place that the point of impingement is located on;
- (b) a statement specifying the highest concentration of the contaminant that the approved dispersion model predicts for the point of impingement; and
- (c) a statement specifying the number of days for which the approved dispersion model predicts that discharges of a contaminant may result in a contravention of section 20 because of the concentration of the contaminant at the point of impingement, expressed as a percentage of the number of days in,
  - (i) a period of five years, if the approved dispersion model was used in accordance with meteorological data described in paragraph 1 or 2 of subsection 13 (1);
  - (ii) a period equal to the length of the period over which the meteorological data was collected, if the approved dispersion model was used in accordance with local or site-specific meteorological data described in paragraph 3 of subsection 13 (1); or
  - (iii) a period equal to the length of the period that was used for the purposes of the computational method, if the approved dispersion model was used in accordance with meteorological data obtained from a computational method in accordance with paragraph 4 of subsection 13 (1).

(8) The following places are the places referred to in subsection (7) and in subsection 32 (22):

1. A health care facility.
2. A senior citizens' residence or long-term care facility.
3. A child care facility.
4. An educational facility.
5. A dwelling.
6. A place specified by the Director in a notice under subsection (9) as a place where discharges of a contaminant may cause a risk to human health.

(9) For the purpose of paragraph 6 of subsection (8), the Director may give written notice to a person who is required to notify the Director under subsection (3) stating that the Director is of the opinion that the discharge may cause a risk to human health at a place specified in the notice.

(10) Before the Director gives a person a notice under subsection (9), the Director shall give the person a draft of the notice and an opportunity to make written submissions to the Director during the period that ends five business days after the draft is given.

(11) If, according to measurements of air samples collected at a point of impingement, discharges of a contaminant may result in a contravention of section 18, 19 or 20 because of the concentration of the contaminant at the point of impingement, a person who prepares a report under subsection (4) shall include in the report,

- (a) a statement or map identifying the place that the point of impingement is located on;
- (b) a statement specifying the number of air samples that were collected at the point of impingement and measured for the contaminant; and
- (c) a statement specifying the number of air samples that were collected at the point of impingement and measured for the contaminant and that indicated that discharges of the contaminant may result in a contravention of section 18, 19 or 20 because of the concentration of the contaminant at the point of impingement, expressed as a percentage of the number of air samples referred to in clause (b).

(12) Subsection (4) does not apply if the Director is satisfied that discharges of the contaminant will not result in a contravention of section 18, 19 or 20 and will not cause an adverse effect.

**Obligations under another Act; failure to operate in normal manner**

**31.** (1) A person who discharges or causes or permits the discharge of a contaminant from a stationary source of air pollution shall, if a contravention of section 18, 19 or 20 may occur as a result of an obligation arising under another Act or a failure to operate the stationary source of air pollution in the normal manner,

- (a) immediately notify a provincial officer of the particulars of the obligation arising under the other Act or the failure to operate the stationary source of air pollution in the normal manner; and

- (b) as soon as practicable, furnish the provincial officer in writing with the particulars of the obligation arising under the other Act or the failure to operate the stationary source of air pollution in the normal manner.
- (2) Section 18, 19 or 20 does not apply to a discharge from a stationary source of air pollution if,
  - (a) notice is given to a provincial officer in accordance with subsection (1);
  - (b) the Director is satisfied that a contravention of section 18, 19 or 20, as the case may be, may occur as a result of the obligation arising under the other Act or the failure to operate the stationary source of air pollution in the normal manner;
  - (c) the Director gives written authorization for the operation of the stationary source of air pollution despite section 18, 19 or 20, as the case may be; and
  - (d) the stationary source of air pollution is operated in accordance with any conditions specified in the authorization that the Director considers reasonable in the circumstances.
- (3) The Director shall not give the authorization referred to in clause (2) (c) as a result of a failure to operate the stationary source of air pollution in the normal manner unless the Director is satisfied that the failure could not reasonably have been anticipated.
- (4) Subsection (2) applies only during such period of time, not exceeding three months, as the Director considers reasonable in the circumstances and specifies in the authorization.

#### ALTERATION OF SCHEDULE 3 STANDARDS

##### Alteration of Schedule 3 standards

- 32.** (1) A person may make a request for approval of an alteration to a standard set out for a contaminant in Schedule 3 if any of the following circumstances apply:
1. The person discharges or causes or permits the discharge of the contaminant from a facility to which, pursuant to subclause 20 (3) (a) (i), section 20 will first apply in respect of the contaminant on February 1, 2010 and, according to an approved dispersion model, discharges of the contaminant from the facility would result in the concentration of the contaminant at a point of impingement exceeding the standard set out in Schedule 3 that is the subject of the request.
  2. The person discharges or causes or permits the discharge of the contaminant from a facility to which, pursuant to subclause 20 (3) (b) (i), section 20 will first apply in respect of the contaminant on February 1, 2013 and, according to an approved dispersion model, discharges of the contaminant from the facility would result in the concentration of the contaminant at a point of impingement exceeding the standard set out in Schedule 3 that is the subject of the request.
  3. The person discharges or causes or permits the discharge of the contaminant from a facility to which, pursuant to subclause 20 (3) (e), section 20 will first apply in respect of the contaminant on February 1, 2020 and, according to an approved dispersion model, discharges of the contaminant from the facility would result in the concentration of the contaminant at a point of impingement exceeding the standard set out in Schedule 3 that is the subject of the request.
  4. The person discharges or causes or permits the discharge of the contaminant from a facility, construction of the facility began after November 30, 2005, no application was made on or before that day for a certificate of approval in respect of the facility, the contaminant is listed in Schedule 7 and, according to an approved dispersion model, discharges of the contaminant from the facility would result in the concentration of the contaminant at a point of impingement exceeding the standard set out in Schedule 3 that is the subject of the request.
  5. The person discharges or causes or permits the discharge of the contaminant from a facility, the contaminant is listed in Schedule 7, discharges of the contaminant from the facility would result, according to an approved dispersion model, in the concentration of the contaminant at a point of impingement exceeding the standard set out in Schedule 3 that is the subject of the request, and,
    - i. construction of the facility was completed or began on or before November 30, 2005, or
    - ii. an application was made on or before November 30, 2005 for a certificate of approval in respect of the facility.
  6. Because of notice given by the Director before February 1, 2020 under subsection 7 (1), there is only one approved dispersion model that may be used by the person with respect to a contaminant, the standard set out in Schedule 3 that is the subject of the request applies to that contaminant, the person discharges or causes or permits the discharge of the contaminant from a facility and, according to that approved dispersion model, discharges of the contaminant from the facility would result in the concentration of the contaminant at a point of impingement exceeding the standard that is the subject of the request.
  7. Because of notice given by the Director on or after February 1, 2020 under subsection 7 (1), there is only one approved dispersion model that may be used by the person with respect to a contaminant, the standard set out in Schedule 3 that is the subject of the request applies to that contaminant, that approved dispersion model is not referred to in paragraphs 1 to 4 of subsection 6 (2), the person discharges or causes or permits the discharge of the contaminant from a facility

and, according to that approved dispersion model, discharges of the contaminant from the facility would result in the concentration of the contaminant at a point of impingement exceeding the standard that is the subject of the request.

8. The person discharges or causes or permits the discharge of the contaminant from a facility to which section 20 applies in respect of the contaminant pursuant to subclause 20 (3) (d) and, according to an approved dispersion model, discharges of the contaminant from the facility would result in the concentration of the contaminant at a point of impingement exceeding the standard set out in Schedule 3 that is the subject of the request.

(2) Subsection (1) applies, with necessary modifications, to a standard set out in an amendment to Schedule 3 that has not yet come into force.

(3) Section 20 shall be deemed to apply for the purpose of determining what the references to an approved dispersion model mean in subsection (1).

(4) An application for a certificate of approval or amendment to a certificate of approval may be made in conjunction with a request under subsection (1).

(5) A person who makes a request under subsection (1) that relies on paragraph 1 of subsection (1) may not make the request before February 1, 2007 or after October 31, 2008.

(6) A person who makes a request under subsection (1) that relies on paragraph 2 of subsection (1) may not make the request before February 1, 2010 or after October 31, 2011.

(7) A person who makes a request under subsection (1) that relies on paragraph 3 of subsection (1) may not make the request before February 1, 2013 or after October 31, 2017.

(8) A person who makes a request under subsection (1) that relies on paragraph 4 of subsection (1) may not make the request if, after November 30, 2005 and before the day the request is made, an application in respect of the facility was made for a certificate of approval, unless the application for the certificate of approval has not yet been determined.

(9) A person who makes a request under subsection (1) that relies on paragraph 5 of subsection (1) may not make the request before February 1, 2007 or after October 31, 2008.

(10) Despite subsections (8) and (9), if a person makes a request under subsection (1) that relies on paragraph 4 or 5 of subsection (1) in respect of a standard set out in an amendment to Schedule 3 that has not yet come into force, the person may not make the request after the later of the following dates:

1. The date that is 12 months after the regulation that amends Schedule 3 is filed.
2. The date that is 18 months before the amendment to Schedule 3 comes into force.

(11) A person who makes a request under subsection (1) that relies on paragraph 6 or 7 of subsection (1) may not make the request after the third anniversary of the day the Director gave the notice under subsection 7 (1).

(12) A person who makes a request under subsection (1) that relies on paragraph 8 of subsection (1) may not make the request after the third anniversary of the day the Director gave the notice or made the order under subsection 20 (4) or (5).

(13) A person who makes a request under subsection (1) shall include the following in the request:

1. A report prepared in accordance with section 26.
2. If, according to the approved dispersion model that was used for the purpose of preparing the report referred to in paragraph 1, discharges of the contaminant may result in a contravention of section 20 because of the concentration of the contaminant at a point of impingement,
  - i. a written statement or map identifying the location of the point of impingement,
  - ii. a written statement specifying the highest concentration of the contaminant that the approved dispersion model predicts for the point of impingement, and
  - iii. a written statement specifying the number of days for which the approved dispersion model predicts that discharges of the contaminant may result in a contravention of section 20 because of the concentration of the contaminant at the point of impingement, expressed as a percentage of the number of days in,
    - A. a period equal to the length of the period over which the meteorological data was collected, if the approved dispersion model was used in accordance with local or site-specific meteorological data described in paragraph 3 of subsection 13 (1), or
    - B. a period equal to the length of the period that was used for the purposes of the computational method, if the approved dispersion model was used in accordance with meteorological data obtained from a computational method in accordance with paragraph 4 of subsection 13 (1).
3. A list of all the methods that are used by other persons, or are available for use, to reduce concentrations of the contaminant at any point, including methods such as the use of pollution control technology or changes to equipment, processes or materials.

4. An analysis of the methods identified under paragraph 3, and combinations of those methods, to determine which are technically feasible with respect to the sources of contaminant to which the request relates.
  5. A list of the methods and combinations of methods that are determined under paragraph 4 to be technically feasible.
  6. A ranking of the methods and combinations of methods identified under paragraph 5, based on the maximum concentration of the contaminant that, according to an approved dispersion model, would result at a point of impingement if each method or combination of methods were used with respect to the sources of contaminant to which the request relates.
  7. Unless a plan is included under paragraph 4 of subsection (14), a plan on how to implement,
    - i. the method or combination of methods that is ranked under paragraph 6 as the method or combination of methods that predicts the lowest maximum concentration of the contaminant at a point of impingement, or
    - ii. a method or combination of methods that, according to an approved dispersion model, would not result in a contravention of section 20.
  8. A description of the steps taken under subsections (18) to (20) by the person making the request under subsection (1), including a summary of the questions asked and comments made by persons who attended the public meeting and the responses of the person making the request.
- (14) A person who makes a request under subsection (1) may include the following in the request:
1. An analysis of the economic feasibility of the methods and combinations of methods that are determined under paragraph 4 of subsection (13) to be technically feasible.
  2. A list of the methods and combinations of methods that are determined under paragraph 1 to be economically feasible.
  3. A ranking of the methods and combinations of methods identified under paragraph 2, based on the maximum concentration of the contaminant that, according to an approved dispersion model, would result at a point of impingement if each method or combination of methods were used with respect to the sources of contaminant to which the request relates.
  4. A plan on how to implement,
    - i. the method or combination of methods that is ranked under paragraph 3 as the method or combination of methods that predicts the lowest maximum concentration of the contaminant at a point of impingement, or
    - ii. a method or combination of methods that, according to an approved dispersion model, would not result in a contravention of section 20.
- (15) Subsection (14) does not apply to a person who makes a request under subsection (1) that relies on paragraph 4 of subsection (1).
- (16) If a person makes a request under subsection (1) and section 20 does not apply to the person in respect of the contaminant that is the subject of the request, section 20 shall be deemed to apply to the person in respect of the contaminant for the purpose of preparing the report required by paragraph 1 of subsection (13).
- (17) Paragraphs 1 and 2 of subsection 13 (1) do not apply to a person who prepares a report required by paragraph 1 of subsection (13).
- (18) Before making a request under subsection (1), a person shall hold a public meeting on the proposed request.
- (19) The person making a request under subsection (1) shall, at least 15 days before the public meeting required by subsection (18),
- (a) publish a notice in a newspaper having general circulation in the area where the source of contaminant is located, setting out the name, address and telephone number of the person and informing the public of the person's intention to make the proposed request, the purpose of the request and the date, time and place of the meeting; and
  - (b) ensure that a copy of the notice referred to in clause (a) is given to,
    - (i) the owners and occupants of,
      - (A) every property that adjoins or is within 500 metres of the property on which the source of contaminant is located, and
      - (B) every property where, according to an approved dispersion model, there is a point of impingement where, as a result of discharges of the contaminant that is the subject of the request, the concentration of the contaminant may exceed the standard that is the subject of the request,
    - (ii) the medical officer of health for the health unit in which the source of contaminant is located and the medical officer of health for each health unit in which a property described in subclause (i) is located,



- (iii) the Ministry, and
  - (iv) each municipality in which the source of contaminant is located and every other municipality that is within 500 metres of the property on which the source of contaminant is located.
- (20) The person making a request under subsection (1) shall, at the public meeting required by subsection (18),
- (a) make available, to everyone in attendance,
    - (i) a written copy of the executive summary of the report required by paragraph 1 of subsection (13), and
    - (ii) a written explanation, written in language that can be understood by persons without specialized scientific training, of the proposed request, including the materials that are to be included under subsections (13) and (14);
  - (b) offer to provide a complete written copy of a draft of the proposed request, including the materials that are to be included under subsections (13) and (14), to every person in attendance who asks for a copy;
  - (c) provide the copies requested under clause (b), or make arrangements to provide those copies as soon as practicable after the meeting;
  - (d) explain the proposed request;
  - (e) explain how the *Environmental Bill of Rights, 1993* will apply to the proposed request; and
  - (f) provide a reasonable opportunity for those in attendance to ask questions of the person making the request under subsection (1) and to comment on the proposed request.
- (21) The Director may approve a request under subsection (1) to alter a standard set out in Schedule 3 if,
- (a) the person making the request has complied with this section; and
  - (b) the Director is of the opinion that,
    - (i) the person making the request cannot comply with section 20 with respect to the standard set out in Schedule 3 for the contaminant because,
      - (A) it is not technically feasible for the person to comply, in the case of a person who is relying on any paragraph of subsection (1), or
      - (B) it is not economically feasible for the person to comply, in the case of a person who is relying on a paragraph of subsection (1) other than paragraph 4,
    - (ii) the failures to comply referred to in subclause (i) would not be frequent,
    - (iii) the alteration of the standard is the minimum alteration necessary to enable the person to comply with section 20 with respect to the contaminant, and
    - (iv) there is no public interest reason sufficient to require the denial of the request.
- (22) Despite subsection (21), the Director shall not approve a request under subsection (1) to alter a standard set out in Schedule 3 for a contaminant if the contaminant is listed in Schedule 6 and the Director is of the opinion that the alteration is likely to permit discharges of the contaminant that result in the concentration of the contaminant at a point of impingement located on a place referred to in subsection 30 (8) exceeding the other time period upper risk threshold set out for the contaminant in Schedule 6.
- (23) If the Director approves the alteration of a standard under subsection (21), the standard shall be deemed to be altered as set out in the approval.
- (24) Subsection (23) applies only to discharges of the contaminant from the facility to which the request related.
- (25) The Director may impose conditions in an approval under subsection (21).
- (26) If conditions are imposed under subsection (25),
- (a) subsection (23) applies only if the conditions are complied with; and
  - (b) the person who made the request under subsection (1) shall notify the Director when the conditions have been complied with.
- (27) Subsection (26) applies, with necessary modifications, to conditions that are imposed in a certificate of approval to ensure compliance with section 20 with respect to a contaminant for which a standard has been altered under this section.
- (28) Subsection (23) applies only to a period specified by the Director in the approval that ends not later than,
- (a) five years after the period begins; or
  - (b) ten years after the period begins, if the Director is satisfied that there are extenuating circumstances.

(29) Subsection (28) does not prevent the making of further requests under subsection (1) in respect of the contaminant but, in considering a further request, the Director may consider the number of previous requests that have been made for the source of contaminant that is the subject of the request.

(30) If the alteration of the standard set out in Schedule 3 for a contaminant is approved under this section and a further request is made under subsection (1) in respect of the contaminant, subsections (5) to (12) do not apply.

(31) If the Director approves the alteration of a standard under subsection (21), the person who requested the alteration shall give a copy of the plan referred to paragraph 7 of subsection (13) or paragraph 4 of subsection (14) to any person who requests it.

(32) The Director may give a person to whom the alteration of a standard applies a notice revoking the approval of the alteration if the Director is of the opinion that,

- (a) discharges of a contaminant that are permitted as a result of the altered standard may cause an adverse effect;
- (b) conditions referred to in subsection (26) or (27) are not being met;
- (c) the person is unable to comply with section 20, even though the standard was altered; or
- (d) the person would be able to comply with section 20 without the alteration of the standard.

(33) Before the Director gives a person a notice under subsection (32), the Director shall give the person a draft of the notice and an opportunity to make written submissions to the Director during the period that ends 30 days after the draft is given.

### **PART III MISCELLANEOUS**

#### **Prohibition of certain emissions**

**33.** No person shall cause or permit to be caused the emission of any air contaminant to such extent or degree as may,

- (a) cause discomfort to persons;
- (b) cause loss of enjoyment of normal use of property;
- (c) interfere with normal conduct of business; or
- (d) cause damage to property.

#### **Opacity**

**34.** (1) No person shall cause or permit an emission into the air that obstructs the passage of light to a degree greater than 20 per cent at any point.

(2) Subsection (1) does not apply to an emission from a source of combustion employing solid fuel if the emission lasts for a period of not more than a total of four minutes in any 30-minute period and does not obstruct the passage of light to a degree greater than 40 per cent at any point.

#### **Obligations under another Act; failure to operate in normal manner**

**35.** (1) A person who causes or permits the emission of a contaminant from a stationary source of air pollution shall, if a contravention of section 33 or 34 may occur as a result of an obligation arising under another Act or a failure to operate the stationary source of air pollution in the normal manner,

- (a) immediately notify a provincial officer of the particulars of the obligation arising under the other Act or the failure to operate the stationary source of air pollution in the normal manner; and
- (b) as soon as practicable, furnish the provincial officer in writing with the particulars of the obligation arising under the other Act or the failure to operate the stationary source of air pollution in the normal manner.

(2) Section 34 does not apply to an emission from a stationary source of air pollution if,

- (a) notice is given to a provincial officer in accordance with subsection (1);
- (b) the Director is satisfied that a contravention of section 34 may occur as a result of the obligation arising under the other Act or the failure to operate the stationary source of air pollution in the normal manner;
- (c) the Director gives written authorization for the operation of the stationary source of air pollution despite section 34; and
- (d) the stationary source of air pollution is operated in accordance with any conditions specified in the authorization that the Director considers reasonable in the circumstances.

(3) The Director shall not give the authorization referred to in clause (2) (c) as a result of a failure to operate the stationary source of air pollution in the normal manner unless the Director is satisfied that the failure could not reasonably have been anticipated.

(4) Subsection (2) applies only during such period of time, not exceeding three months, as the Director considers reasonable in the circumstances and specifies in the authorization.

**Fuel or waste for fuel-burning equipment, etc.**

**36.** (1) No person shall burn or permit to be burned in any fuel burning equipment or incinerator any fuel or waste except the fuel or waste for the burning of which the equipment or incinerator was designed.

(2) No person shall burn or permit to be burned in any fuel burning equipment or incinerator any fuel or waste at a greater rate than that rate for which the equipment or incinerator was designed.

**Construction and sandblasting emissions, etc.**

**37.** Except for heat, sound, vibration or radiation, no person shall,

(a) construct, alter, demolish, drill, blast, crush or screen anything or cause or permit the construction, alteration, demolition, drilling, blasting, crushing or screening of anything so that a contaminant is carried beyond the limits of the property on which the construction, alteration, demolition, drilling, blasting, crushing or screening is being carried out; or

(b) sandblast or permit the sandblasting of anything so that a contaminant is emitted into the air,

to an extent or degree greater than that which would result if every step necessary to control the emission of the contaminant were implemented.

**Incinerators**

**38.** (1) In this section,

“apartment incinerator” means an incinerator that is located in or on the site of a structure containing more than one dwelling unit and used to burn domestic waste from more than one dwelling unit.

(2) No person shall operate or permit the operation of,

(a) an apartment incinerator, domestic incinerator, multiple chamber incinerator or starved air incinerator burning domestic waste;

(b) a multiple chamber incinerator or starved air incinerator burning solid industrial waste;

(c) an incinerator burning liquid industrial waste, industrial slurries or sludges, sewage sludges or slurries, gaseous waste, organic vapour or fume; or

(d) a municipal incinerator burning solid waste or sludges,

that causes or is likely to cause a concentration in the combustion gases emitted into the natural environment, of organic matter having a carbon content, expressed as equivalent methane, being an average of ten measurements taken at approximately one minute intervals, greater than 100 parts per million by volume, measured on an undiluted basis.

(3) Subsection (2) does not apply to prohibit the operation of a catalytic incinerator.

(4) No person shall operate or permit the operation of an apartment incinerator without a certificate of approval issued under section 9 of the Act.

**Air Pollution Index**

**39.** (1) The Ministry may prepare an index to be known as the “Air Pollution Index” for any area in Ontario, from time to time.

(2) Despite section 5, the air pollution index may take into consideration discharges of contaminants from motor vehicles.

(3) Where the air pollution index for an area indicates increasing air pollution that may lead to an air pollution episode, the Minister, in consultation with the Minister of Health and Long-Term Care, may order curtailment of the operation of sources of air pollution in the manner described in subsections (4) and (5).

(4) Where the air pollution index reaches the number 32, designated as Air Advisory Level, and meteorological forecasts indicate a six-hour prolongation of atmospheric conditions conducive to sustained or increased air pollution levels, the Minister may require owners or operators of sources of air pollution to make preparation for the curtailment of such operations as are specified by the Minister.

(5) Where the air pollution index reaches the number 50, designated as First Air Pollution Alert, and meteorological forecasts indicate a six-hour prolongation of atmospheric conditions conducive to sustained or increased air pollution levels, the Minister may require owners or operators of sources of air pollution to curtail such operations as are specified by the Minister.

**Revocation of Reg. 346**

**40. Regulation 346 of the Revised Regulations of Ontario, 1990 is revoked.**

## Commencement

**41. This Regulation comes into force on November 30, 2005.**SCHEDULE 1  
STANDARDS WITH HALF HOUR AVERAGING TIMES

(See section 18)

Item	CAS No.	Contaminant	Half Hour Standard ( $\mu\text{g}/\text{m}^3$ , unless otherwise indicated)
1.	75-07-0	Acetaldehyde	500
2.	64-19-7	Acetic Acid	2,500
3.	67-64-1	Acetone	48,000
4.	74-86-2	Acetylene	56,000
5.	79-06-1	Acrylamide	45
6.	107-13-1	Acrylonitrile	180
7.	7664-41-7	Ammonia	3,600
8.	7440-36-0	Antimony	75
9.	7784-42-1	Arsine	10
10.	7440-41-7	Beryllium and compounds	0.03
11.	7440-42-8	Boron	100
12.	10294-33-4	Boron Tribromide	100
13.	10294-34-5	Boron Trichloride	100
14.	7637-07-2	Boron Trifluoride	5
15.	7726-95-6	Bromine	70
16.	7440-43-9	Cadmium	5
17.	1305-62-0	Calcium Hydroxide	27
18.	1305-78-8	Calcium Oxide	20
19.	1333-86-4	Carbon Black	25
20.	75-15-0	Carbon Disulphide	330
21.	630-08-0	Carbon Monoxide	6,000
22.	56-23-5	Carbon Tetrachloride	7.2
23.	7782-50-5	Chlorine	300
24.	10049-04-4	Chlorine Dioxide	85
25.	67-66-3	Chloroform	300
26.	7440-50-8	Copper	100
27.	1319-77-3	Cresols	230
28.	17702-41-9	Decaborane	50
29.	117-81-7	Di(2-ethylhexyl) Phthalate	100
30.	19287-45-7	Diborane	20
31.	131-15-7	Dicapryl Phthalate	100
32.	106-46-7	Dichlorobenzene, 1-4	285
33.	624-92-0	Dimethyl Disulphide	40
34.	75-18-3	Dimethyl Sulphide	30
35.	117-84-0	Di-n-Octyl Phthalate	100
36.	-	Dustfall	8,000 $\mu\text{g}/\text{m}^2$
37.	141-78-6	Ethyl Acetate	19,000
38.	140-88-5	Ethyl Acrylate	4.5
39.	100-41-4	Ethyl Benzene	3,000
40.	60-29-7	Ethyl Ether	7,000
41.	107-06-2	Ethylene Dichloride	6
42.	1309-37-1	Ferric Oxide	75
43.	7664-39-3	Fluorides (as HF) - Gaseous (Growing Season)	4.3
44.	7664-39-3	Fluorides (as HF) - Total (Growing Season)	8.6
45.	7664-39-3	Fluorides (as HF) - Total (Non-Growing Season)	17.2
46.	50-00-0	Formaldehyde	65
47.	64-18-6	Formic Acid	1,500
48.	98-01-1	Furfural	1,000
49.	98-00-0	Furfuryl Alcohol	3,000
50.	7647-01-0	Hydrogen Chloride	100
51.	74-90-8	Hydrogen Cyanide	1,150
52.	7783-06-04	Hydrogen Sulphide	30

Item	CAS No.	Contaminant	Half Hour Standard ( $\mu\text{g}/\text{m}^3$ , unless otherwise indicated)
53.	15438-31-0	Iron (metallic)	10
54.	98-82-8	Isopropyl Benzene	100
55.	7439-92-1	Lead	6
56.	7439-93-2	Lithium	60
57.	7580-67-8	Lithium Hydrides	7.5
58.	1309-48-4	Magnesium Oxide	100
59.	74-93-1	Mercaptans	20
60.	7439-97-6	Mercury (Hg)	5
61.	7439-97-6	Mercury (as Hg) - alkyl compounds	1.5
62.	67-56-1	Methanol (Methyl Alcohol)	12,000
63.	96-33-3	Methyl Acrylate	4
64.	71-55-6	Methyl Chloroform (1-1-1 Trichloroethane)	350,000
65.	78-93-3	Methyl Ethyl Ketone (2-Butanone)	30,000
66.	108-10-1	Methyl Isobutyl Ketone	1,200
67.	80-62-6	Methyl Methacrylate	860
68.	-	Milk Powder	20
69.	8052-41-3	Mineral Spirits	7,800
70.	74-89-5	Monomethyl Amine	25
71.	142-82-5	n-Heptane	33,000
72.	7440-02-0	Nickel	5
73.	13463-39-3	Nickel Carbonyl	1.5
74.	7697-37-2	Nitric Acid	100
75.	139-13-9	Nitriilotriacetic Acid	100
76.	10102-44-0	Nitrogen Oxides	500
77.	10028-15-6	Ozone	200
78.	19624-22-7	Pentaborane	3
79.	108-95-2	Phenol	100
80.	75-44-5	Phosgene	130
81.	7664-38-2	Phosphoric Acids	100
82.	85-44-9	Phthalic Anhydride	100
83.	78-87-5	Propylene Dichloride	2,400
84.	75-56-9	Propylene Oxide	450
85.	7440-22-4	Silver	3
86.	100-42-5	Styrene	400
87.	7446-09-5	Sulphur Dioxide	830
88.	7664-93-9	Sulphuric Acid	100
89.	-	Suspended Particulate Matter (< 44 $\mu\text{m}$ Diameter)	100
90.	13494-80-9	Tellurium (except hydrogen telluride)	30
91.	109-99-9	Tetrahydrofuran	93,000
92.	7440-31-5	Tin	30
93.	7440-32-6	Titanium	100
94.	108-88-3	Toluene	2,000
95.	584-84-9	Toluene Di-isocyanate, 2,4-	1
96.	79-01-6	Trichloroethylene (TCE)	3,500
97.	76-13-1	Trifluorotrichloroethane	2,400,000
98.	7440-62-2	Vanadium	5
99.	75-01-4	Vinyl Chloride	3
100.	75-35-4	Vinylidene Chloride	30
101.	1330-20-7	Xylenes	2,300
102.	7440-66-6	Zinc	100

SCHEDULE 2  
UPDATED STANDARDS WITH HALF HOUR AVERAGING TIMES

(See section 19)

Item	CAS No.	Contaminant	Half Hour Standard ( $\mu\text{g}/\text{m}^3$ , unless otherwise indicated)
1.	75-07-0	Acetaldehyde	500
2.	64-19-7	Acetic Acid	2,500

Item	CAS No.	Contaminant	Half Hour Standard ( $\mu\text{g}/\text{m}^3$ , unless otherwise indicated)
3.	67-64-1	Acetone	35,640
4.	75-05-8	Acetonitrile	210
5.	74-86-2	Acetylene	56,000
6.	107-02-8	Acrolein	0.24
7.	79-06-1	Acrylamide	45
8.	107-13-1	Acrylonitrile	1.8
9.	7664-41-7	Ammonia	300
10.	7440-36-0	Antimony	75
11.	7784-42-1	Arsine	10
12.	7440-41-7	Beryllium and compounds	0.03
13.	7440-42-8	Boron	100
14.	10294-33-4	Boron Tribromide	100
15.	10294-34-5	Boron Trichloride	100
16.	7637-07-2	Boron Trifluoride	5
17.	7726-95-6	Bromine	70
18.	7440-43-9	Cadmium	5
19.	1305-62-0	Calcium Hydroxide	27
20.	1305-78-8	Calcium Oxide	20
21.	1333-86-4	Carbon Black	25
22.	75-15-0	Carbon Disulphide	330
23.	630-08-0	Carbon Monoxide	6,000
24.	56-23-5	Carbon Tetrachloride	7.2
25.	7782-50-5	Chlorine	30
26.	10049-04-4	Chlorine Dioxide	85
27.	67-66-3	Chloroform	3
28.	7440-50-8	Copper	100
29.	1319-77-3	Cresols	230
30.	110-82-7	Cyclohexane	18,300
31.	17702-41-9	Decaborane	50
32.	117-81-7	Di(2-ethylhexyl) Phthalate	100
33.	19287-45-7	Diborane	20
34.	131-15-7	Dicapryl Phthalate	100
35.	106-46-7	Dichlorobenzene, 1-4	285
36.	624-92-0	Dimethyl Disulphide	40
37.	75-18-3	Dimethyl Sulphide	30
38.	117-84-0	Di-n-Octyl Phthalate	100
39.	-	Dustfall	8,000 $\mu\text{g}/\text{m}^2$
40.	141-78-6	Ethyl Acetate	19,000
41.	140-88-5	Ethyl Acrylate	4.5
42.	100-41-4	Ethyl Benzene	1,400
43.	60-29-7	Ethyl Ether	700
44.	107-06-2	Ethylene Dichloride	6
45.	1309-37-1	Ferric Oxide	75
46.	7664-39-3	Fluorides (as HF) - Gaseous (Growing Season)	4.3
47.	7664-39-3	Fluorides (as HF) - Total (Growing Season)	8.6
48.	7664-39-3	Fluorides (as HF) - Total (Non-Growing Season)	17.2
49.	50-00-0	Formaldehyde	65
50.	64-18-6	Formic Acid	1,500
51.	98-01-1	Furfural	1,000
52.	98-00-0	Furfuryl Alcohol	3,000
53.	4035-89-6	HDI Biuret (HDI-BT)	9
54.	3779-63-3	HDI Isocyanurate (HDI-IC)	9
55.	28182-81-2	HDI Polyisocyanate (HDI-BT & HDI-IC)	9
56.	822-06-0	Hexamethylene Diisocyanate (HDI) Monomer	0.1
57.	7647-01-0	Hydrogen Chloride	60
58.	74-90-8	Hydrogen Cyanide	24
59.	7783-06-04	Hydrogen Sulphide	30
60.	15438-31-0	Iron (metallic)	10
61.	67-63-0	Isopropanol (Isopropyl Alcohol)	22,000
62.	98-82-8	Isopropyl Benzene	100

Item	CAS No.	Contaminant	Half Hour Standard ( $\mu\text{g}/\text{m}^3$ , unless otherwise indicated)
63.	7439-92-1	Lead	6
64.	7439-93-2	Lithium	60
65.	7580-67-8	Lithium Hydrides	7.5
66.	1309-48-4	Magnesium Oxide	100
67.	74-93-1	Mercaptans	20
68.	7439-97-6	Mercury (Hg)	5
69.	7439-97-6	Mercury (as Hg) - alkyl compounds	1.5
70.	101-68-8	Methane Diphenyl Diisocyanate (MDI Monomer)	2
71.	67-56-1	Methanol (Methyl Alcohol)	12,000
72.	96-33-3	Methyl Acrylate	4
73.	71-55-6	Methyl Chloroform (1-1-1 Trichloroethane)	350,000
74.	78-93-3	Methyl Ethyl Ketone (2-Butanone)	3,000
75.	624-83-9	Methyl Isocyanate	3
76.	108-10-1	Methyl Isobutyl Ketone	1,200
77.	80-62-6	Methyl Methacrylate	860
78.	75-09-2	Methylene Chloride	660
79.	-	Milk Powder	20
80.	8052-41-3	Mineral Spirits	3,000
81.	74-89-5	Monomethyl Amine	25
82.	142-82-5	n-Heptane	33,000
83.	110-54-3	n-Hexane (mixture)	7,500
84.	110-54-3	n-Hexane (n-Hexane and Hexane isomers only)	22,500
85.	7440-02-0	Nickel	5
86.	13463-39-3	Nickel Carbonyl	1.5
87.	7697-37-2	Nitric Acid	100
88.	139-13-9	Nitrilotriacetic Acid	100
89.	10102-44-0	Nitrogen Oxides	500
90.	10028-15-6	Ozone	200
91.	19624-22-7	Pentaborane	3
92.	127-18-4	Perchloroethylene	1,080
93.	108-95-2	Phenol	100
94.	75-44-5	Phosgene	130
95.	7664-38-2	Phosphoric Acids	100
96.	85-44-9	Phthalic Anhydride	100
97.	9016-87-9	Polymeric Methane Diphenyl Diisocyanate (PMDI)	2
98.	78-87-5	Propylene Dichloride	2,400
99.	75-56-9	Propylene Oxide	4.5
100.	7440-22-4	Silver	3
101.	100-42-5	Styrene	400
102.	7446-09-5	Sulphur Dioxide	830
103.	7664-93-9	Sulphuric Acid	100
104.	-	Suspended Particulate Matter (< 44 $\mu\text{m}$ Diameter)	100
105.	13494-80-9	Tellurium (except hydrogen telluride)	30
106.	109-99-9	Tetrahydrofuran	93,000
107.	7440-31-5	Tin	30
108.	7440-32-6	Titanium	100
109.	108-88-3	Toluene	2,000
110.	584-84-9	Toluene Di-isocyanate, 2,4-	0.6
111.	26471-62-5	Toluene Di-isocyanate, 2,4- and 2,6- (mixed isomers)	0.6
112.	79-01-6	Trichloroethylene (TCE)	36
113.	76-13-1	Trifluorotrchloroethane	2,400,000
114.	7440-62-2	Vanadium	5
115.	75-01-4	Vinyl Chloride	3
116.	75-35-4	Vinylidene Chloride	30
117.	1330-20-7	Xylenes	2,200
118.	7440-66-6	Zinc	100

SCHEDULE 3  
STANDARDS WITH VARIABLE AVERAGING TIMES

(See section 20)

Item	CAS No.	Contaminant	One Hour Standard ( $\mu\text{g}/\text{m}^3$ )	24 Hour Standard ( $\mu\text{g}/\text{m}^3$ )	Other Time Period Standard ( $\mu\text{g}/\text{m}^3$ , unless otherwise indicated)
1.	75-07-0	Acetaldehyde	-	500	500 (half hour)
2.	67-64-1	Acetone	-	11,880	-
3.	75-05-8	Acetonitrile	-	70	-
4.	107-02-8	Acrolein	-	0.08	0.24 (half hour)
5.	79-06-1	Acrylamide	-	15	-
6.	107-13-1	Acrylonitrile	-	0.6	-
7.	7664-41-7	Ammonia	-	100	-
8.	7440-36-0	Antimony	-	25	-
9.	7784-42-1	Arsine	-	5	10 (half hour)
10.	7440-41-7	Beryllium and compounds	-	0.01	-
11.	7440-42-8	Boron	-	120	-
12.	10294-33-4	Boron Tribromide	-	35	-
13.	10294-34-5	Boron Trichloride	-	35	-
14.	7637-07-2	Boron Trifluoride	-	2	-
15.	7726-95-6	Bromine	-	20	-
16.	7440-43-9	Cadmium	-	2	-
17.	1305-62-0	Calcium Hydroxide	-	13.5	-
18.	1305-78-8	Calcium Oxide	-	10	-
19.	1333-86-4	Carbon Black	-	10	-
20.	630-08-0	Carbon Monoxide (single source)	-	-	6000 (half hour)
21.	630-08-0	Carbon Monoxide (multiple sources)	36,200	-	15,700 (8 hour)
22.	56-23-5	Carbon Tetrachloride	-	2.4	-
23.	7782-50-5	Chlorine	-	10	-
24.	10049-04-4	Chlorine Dioxide	-	30	-
25.	67-66-3	Chloroform	-	1	-
26.	7440-50-8	Copper	-	50	-
27.	1319-77-3	Cresols	-	75	-
28.	110-82-7	Cyclohexane	-	6,100	-
29.	17702-41-9	Decaborane	-	25	-
30.	117-81-7	Di(2-ethylhexyl) Phthalate	-	50	-
31.	19287-45-7	Diborane	-	10	-
32.	131-15-7	Dicapryl Phthalate	-	120	-
33.	106-46-7	Dichlorobenzene, 1-4	-	95	-
34.	117-84-0	Di-n-Octyl Phthalate	-	120	-
35.	-	Dustfall	-	-	7 g/m <sup>2</sup> ; 30 day
36.	100-41-4	Ethyl Benzene	-	1,000	-
37.	60-29-7	Ethyl Ether	-	8,000	-
38.	107-06-2	Ethylene Dichloride	-	2	-
39.	1309-37-1	Ferric Oxide	-	25	-
40.	7664-39-3	Fluorides (as HF) - Gaseous (Growing Season)	-	0.86	0.34; 30 day
41.	7664-39-3	Fluorides (as HF) - Total (Growing Season)	-	1.72	0.69; 30 day
42.	7664-39-3	Fluorides (as HF) - Total (Non-Growing Season)	-	3.44	1.38; 30 day
43.	50-00-0	Formaldehyde	-	65	-
44.	64-18-6	Formic Acid	-	500	-
45.	98-00-0	Furfuryl Alcohol	-	1,000	-
46.	4035-89-6	HDI Biuret (HDI-BT)	-	3	-
47.	3779-63-3	HDI Isocyanurate (HDI-IC)	-	3	-
48.	28182-81-2	HDI Polyisocyanate (HDI-BT & HDI-IC)	-	3	-
49.	822-06-0	Hexamethylene Diisocyanate (HDI) Monomer	-	0.03	-
50.	7647-01-0	Hydrogen Chloride	-	20	-
51.	74-90-8	Hydrogen Cyanide	-	8	-
52.	15438-31-0	Iron (metallic)	-	4	-
53.	67-63-0	Isopropanol (Isopropyl Alcohol)	-	7,300	-
54.	98-82-8	Isopropyl Benzene	-	400	-



Item	CAS No.	Contaminant	One Hour Standard ( $\mu\text{g}/\text{m}^3$ )	24 Hour Standard ( $\mu\text{g}/\text{m}^3$ )	Other Time Period Standard ( $\mu\text{g}/\text{m}^3$ , unless otherwise indicated)
55.	7439-92-1	Lead	-	2	0.7; 30 day
56.	7439-93-2	Lithium	-	20	-
57.	7580-67-8	Lithium Hydrides	-	2.5	-
58.	1309-48-4	Magnesium Oxide	-	120	-
59.	7439-97-6	Mercury (Hg)	-	2	-
60.	7439-97-6	Mercury (as Hg) - alkyl compounds	-	0.5	-
61.	101-68-8	Methane Diphenyl Diisocyanate (MDI Monomer)	-	0.7	-
62.	67-56-1	Methanol (Methyl Alcohol)	-	4,000	-
63.	71-55-6	Methyl Chloroform (1-1-1 Trichloroethane)	-	115,000	-
64.	78-93-3	Methyl Ethyl Ketone (2-Butanone)	-	1,000	-
65.	624-83-9	Methyl Isocyanate	-	1	-
66.	75-09-2	Methylene Chloride	-	220	-
67.	-	Milk Powder	-	20	-
68.	8052-41-3	Mineral Spirits	-	2,600	-
69.	142-82-5	n-Heptane	-	11,000	-
70.	110-54-3	n-Hexane (mixture)	-	2,500	-
71.	110-54-3	n-Hexane (n-Hexane and Hexane isomers only)	-	7,500	-
72.	7440-02-0	Nickel	-	2	-
73.	13463-39-3	Nickel Carbonyl	-	0.5	-
74.	7697-37-2	Nitric Acid	-	35	-
75.	139-13-9	Nitrioltriacetic Acid	-	120	-
76.	10102-44-0	Nitrogen Oxides	400	200	-
77.	10028-15-6	Ozone	165	-	-
78.	19624-22-7	Pentaborane	-	1	-
79.	127-18-4	Perchloroethylene	-	360	-
80.	108-95-2	Phenol	-	30	-
81.	75-44-5	Phosgene	-	45	-
82.	7664-38-2	Phosphoric Acids	-	120	-
83.	85-44-9	Phthalic Anhydride	-	120	-
84.	9016-87-9	Polymeric Methane Diphenyl Diisocyanate (PMDI)	-	0.7	-
85.	75-56-9	Propylene Oxide	-	1.5	-
86.	7440-22-4	Silver	-	1	-
87.	100-42-5	Styrene	-	400	-
88.	7446-09-5	Sulphur Dioxide	690	275	-
89.	7664-93-9	Sulphuric Acid	-	35	-
90.	-	Suspended Particulate Matter (< 44 $\mu\text{m}$ Diameter)	-	120	-
91.	13494-80-9	Tellurium (except hydrogen telluride)	-	10	-
92.	7440-31-5	Tin	-	10	-
93.	7440-32-6	Titanium	-	120	-
94.	584-84-9	Toluene Di-isocyanate, 2,4-	-	0.2	-
95.	26471-62-5	Toluene Di-isocyanate, 2,4- and 2,6- (mixed isomers)	-	0.2	-
96.	79-01-6	Trichloroethylene (TCE)	-	12	-
97.	76-13-1	Trifluorotrchloroethane	-	800,000	-
98.	7440-62-2	Vanadium	-	2	-
99.	75-01-4	Vinyl Chloride	-	1	-
100.	75-35-4	Vinylidene Chloride	-	10	-
101.	1330-20-7	Xylenes	-	730	-
102.	7440-66-6	Zinc	-	120	-

SCHEDULE 4  
TARGET SECTORS FOR 2010

Item	NAICS Code	North American Industry Classification System Description
1.	2122	Metal Ore Mining
2.	221112	Fossil-Fuel Electric Power Generation
3.	324110	Petroleum Refineries
4.	3251	Basic Chemical Manufacturing
5.	3252	Resin, Synthetic Rubber, and Artificial and Synthetic Fibres and Filaments Manufacturing
6.	3311	Iron and Steel Mills and Ferro-Alloy Manufacturing

Item	NAICS Code	North American Industry Classification System Description
7.	331410	Non-Ferrous Metal (except Aluminum) Smelting and Refining
8.	3315	Foundries

SCHEDULE 5  
TARGET SECTORS FOR 2013

Item	NAICS Code	North American Industry Classification System Description
1.	3221	Pulp, Paper and Paperboard Mills
2.	324190	Other Petroleum and Coal Products Manufacturing
3.	325	Chemical Manufacturing
4.	326150	Urethane and Other Foam Product (except Polystyrene) Manufacturing
5.	3279	Other Non-Metallic Mineral Product Manufacturing
6.	331	Primary Metal Manufacturing
7.	332	Fabricated Metal Product Manufacturing
8.	336	Transportation Equipment Manufacturing
9.	5622	Waste Treatment and Disposal

SCHEDULE 6  
UPPER RISK THRESHOLDS

Item	CAS No.	Contaminant	Half Hour Upper Risk Threshold ( $\mu\text{g}/\text{m}^3$ )	Other Time Period Upper Risk Threshold ( $\mu\text{g}/\text{m}^3$ )
1.	75-07-0	Acetaldehyde	5,000	5,000 (24 hour)
2.	67-64-1	Acetone	118,800	118,800 (24 hour)
3.	75-05-8	Acetonitrile	2,100	700 (24 hour)
4.	107-02-8	Acrolein	2.4	0.8 (24 hour)
5.	107-13-1	Acrylonitrile	180	60 (24 hour)
6.	7664-41-7	Ammonia	3,600	1,000 (24 hour)
7.	56-23-5	Carbon Tetrachloride	72	24 (24 hour)
8.	7782-50-5	Chlorine	300	100 (24 hour)
9.	67-66-3	Chloroform	300	100 (24 hour)
10.	110-82-7	Cyclohexane	183,000	61,000 (24 hour)
11.	117-81-7	Di(2-ethylhexyl) Phthalate	1,500	500 (24 hour)
12.	106-46-7	Dichlorobenzene, 1-4	2,850	950 (24 hour)
13.	100-41-4	Ethyl Benzene	14,000	10,000 (24 hour)
14.	60-29-7	Ethyl Ether	7,000	80,000 (24 hour)
15.	107-06-2	Ethylene Dichloride	600	200 (24 hour)
16.	4035-89-6	HDI Biuret (HDI-BT)	30	30 (24 hour)
17.	3779-63-3	HDI Isocyanurate (HDI-IC)	30	30 (24 hour)
18.	28182-81-2	HDI Polyisocyanate (HDI-BT & HDI-IC)	30	30 (24 hour)
19.	822-06-0	Hexamethylene Diisocyanate (HDI) Monomer	1	0.3 (24 hour)
20.	7647-01-0	Hydrogen Chloride	600	200 (24 hour)
21.	74-90-8	Hydrogen Cyanide	-	80 (24 hour)
22.	67-63-0	Isopropanol (Isopropyl Alcohol)	220,000	73,000 (24 hour)
23.	101-68-8	Methane Diphenyl Diisocyanate (MDI Monomer)	7	7 (24 hour)
24.	78-93-3	Methyl Ethyl Ketone (2-Butanone)	30,000	10,000 (24 hour)
25.	624-83-9	Methyl Isocyanate	10	10 (24 hour)
26.	75-09-2	Methylene Chloride	22,000	22,000 (24 hour)
27.	8052-41-3	Mineral Spirits	30,000	26,000 (24 hour)
28.	110-54-3	n-Hexane (mixture)	25,000	25,000 (24 hour)
29.	110-54-3	n-Hexane (n-Hexane and Hexane isomers only)	25,000	25,000 (24 hour)
30.	127-18-4	Perchloroethylene	10,800	3,600 (24 hour)
31.	108-95-2	Phenol	900	300 (24 hour)
32.	9016-87-9	Polymeric Methane Diphenyl Diisocyanate (PMDI)	7	7 (24 hour)
33.	75-56-9	Propylene Oxide	450	150 (24 hour)
34.	584-84-9	Toluene Di-isocyanate, 2,4-	2	2 (24 hour)
35.	26471-62-5	Toluene Di-isocyanate, 2,4- and 2,6- (mixed isomers)	2	2 (24 hour)
36.	79-01-6	Trichloroethylene (TCE)	3,600	1,200 (24 hour)
37.	75-01-4	Vinyl Chloride	300	100 (24 hour)
38.	1330-20-7	Xylenes	22,000	7,300 (24 hour)

SCHEDULE 7  
CONTAMINANTS WITH UPDATED STANDARDS

Item	CAS No.	Contaminant
1.	67-64-1	Acetone
2.	75-05-8	Acetonitrile
3.	107-02-8	Acrolein
4.	107-13-1	Acrylonitrile
5.	7664-41-7	Ammonia
6.	7782-50-5	Chlorine
7.	67-66-3	Chloroform
8.	110-82-7	Cyclohexane
9.	100-41-4	Ethyl Benzene
10.	60-29-7	Ethyl Ether
11.	4035-89-6	HDI Biuret (HDI-BT)
12.	3779-63-3	HDI Isocyanurate (HDI-IC)
13.	28182-81-2	HDI Polyisocyanate (HDI-BT & HDI-IC)
14.	822-06-0	Hexamethylene Diisocyanate (HDI) Monomer
15.	7647-01-0	Hydrogen Chloride
16.	74-90-8	Hydrogen Cyanide
17.	67-63-0	Isopropanol (Isopropyl Alcohol)
18.	101-68-8	Methane Diphenyl Diisocyanate (MDI Monomer)
19.	78-93-3	Methyl Ethyl Ketone (2-Butanone)
20.	624-83-9	Methyl Isocyanate
21.	75-09-2	Methylene Chloride
22.	8052-41-3	Mineral Spirits
23.	110-54-3	n-Hexane (mixture)
24.	110-54-3	n-Hexane (n-Hexane and Hexane isomers only)
25.	127-18-4	Perchloroethylene
26.	108-95-2	Phenol
27.	9016-87-9	Polymeric Methane Diphenyl Diisocyanate (PMDI)
28.	75-56-9	Propylene Oxide
29.	584-84-9	Toluene Di-isocyanate, 2,4-
30.	26471-62-5	Toluene Di-isocyanate, 2,4- and 2,6- (mixed isomers)
31.	79-01-6	Trichloroethylene (TCE)
32.	1330-20-7	Xylenes

29/05

**ONTARIO REGULATION 420/05**  
made under the  
**ENVIRONMENTAL BILL OF RIGHTS, 1993**

Made: June 22, 2005  
Filed: June 30, 2005

Amending O. Reg. 681/94  
(Classification of Proposals for Instruments)

Note: Ontario Regulation 681/94 has previously been amended. Those amendments are listed in the [Table of Regulations – Legislative History Overview](#) which can be found at [www.e-Laws.gov.on.ca](http://www.e-Laws.gov.on.ca).

**1. Paragraph 13 of subsection 5 (2) of Ontario Regulation 681/94 is revoked and the following substituted:**

13. A proposal for an order under subsection 20 (5) of Ontario Regulation 419/05 (Air Pollution — Local Air Quality) made under the *Environmental Protection Act*.
- 13.1 A proposal for an approval under subsection 32 (21) of Ontario Regulation 419/05.

13.2 A proposal for an order under subsection 39 (3), (4) or (5) of Ontario Regulation 419/05.

**2. This Regulation comes into force on November 30, 2005.**

29/05

**ONTARIO REGULATION 421/05**  
made under the  
**ENVIRONMENTAL PROTECTION ACT**

Made: June 22, 2005  
Filed: June 30, 2005

Amending Reg. 336 of R.R.O. 1990  
(Air Contaminants from Ferrous Foundries)

Note: Regulation 336 has not previously been amended.

**1. (1) Clause 4 (1) (a) of Regulation 336 of the Revised Regulations of Ontario, 1990 is amended by striking out “the requirements of sections 5 and 6 of Regulation 346 of the Revised Regulations of Ontario, 1990” at the end and substituting “the requirements of Ontario Regulation 419/05 (Air Pollution — Local Air Quality) made under the Act”.**

**(2) Clause 4 (2) (a) of the Regulation is amended by striking out “the requirements of sections 5 and 6 of Regulation 346 of the Revised Regulations of Ontario, 1990” at the end and substituting “the requirements of Ontario Regulation 419/05 (Air Pollution — Local Air Quality) made under the Act”.**

**(3) Clause 4 (3) (a) of the Regulation is amended by striking out “the requirements of sections 5 and 6 of Regulation 346 of the Revised Regulations of Ontario, 1990” at the end and substituting “the requirements of Ontario Regulation 419/05 (Air Pollution — Local Air Quality) made under the Act”.**

**2. This Regulation comes into force on November 30, 2005.**

29/05

**ONTARIO REGULATION 422/05**  
made under the  
**ENVIRONMENTAL PROTECTION ACT**

Made: June 22, 2005  
Filed: June 30, 2005

Amending Reg. 350 of R.R.O. 1990  
(Lambton Industry Meteorological Alert)

Note: Regulation 350 has previously been amended. Those amendments are listed in the [Table of Regulations – Legislative History Overview](#) which can be found at [www.e-Laws.gov.on.ca](http://www.e-Laws.gov.on.ca).

**1. Subsection 3 (2) of Regulation 350 of the Revised Regulations of Ontario, 1990 is amended by striking out “the Appendix to Regulation 346 of the Revised Regulations of Ontario, 1990” at the end and substituting “the Appendix to Regulation 346 of the Revised Regulations of Ontario, 1990 (General — Air Pollution) made under the Act, as that regulation read immediately before it was revoked on November 30, 2005”.**

**2. This Regulation comes into force on November 30, 2005.**

29/05

**ONTARIO REGULATION 423/05**  
made under the  
**ENVIRONMENTAL PROTECTION ACT**

Made: June 22, 2005  
Filed: June 30, 2005

Amending Reg. 352 of R.R.O. 1990  
(Mobile PCB Destruction Facilities)

Note: Regulation 352 has not previously been amended.

**1. Paragraph 3 of subsection 6 (1) of Regulation 352 of the Revised Regulations of Ontario, 1990 is amended by striking out “the Appendix to Regulation 346 of the Revised Regulations of Ontario, 1990 except, where” and substituting “the Appendix to Regulation 346 of the Revised Regulations of Ontario, 1990 (General — Air Pollution) made under the Act, as that regulation read immediately before it was revoked on November 30, 2005, except, where”.**

**2. This Regulation comes into force on November 30, 2005.**

29/05

NOTE: The Table of Regulations – Legislative History Overview and other tables related to regulations can be found at the e-Laws website ([www.e-Laws.gov.on.ca](http://www.e-Laws.gov.on.ca)) under Tables. Consolidated regulations may also be found at that site by clicking on Statutes and associated Regulations under Consolidated Law.

REMARQUE : On trouve le Sommaire de l'historique législatif des règlements et d'autres tables liées aux règlements sur le site Web Lois-en-ligne ([www.lois-en-ligne.gouv.on.ca](http://www.lois-en-ligne.gouv.on.ca)) en cliquant sur «Tables». On y trouve également les règlements codifiés en cliquant sur le lien Lois et règlements d'application sous la rubrique «Textes législatifs codifiés».

**INDEX 29**

## GOVERNMENT NOTICES/AVIS DU GOUVERNEMENT

Ontario Highway Transport Board .....	2025
Notice of Default in Complying with the Corporations Tax Act/Avis d'inobservation de la Loi sur l'imposition des corporations .....	2026
Cancellation of Certificates of Incorporation/Annulation de certificats de constitution (Non-respect de la Loi sur l'imposition des corporations) .....	2027
Certificates of Dissolution/Certificats de dissolution .....	2032
Erratum Notice/Avis D'Erreur .....	2035
Ontario Securities Commission .....	2035
Change of Name Act/Loi sur le changement de nom .....	2035
Marriage Act/Loi sur le mariage .....	2036
Applications to Provincial Parliament — Private Bills Demandes au Parlement provincial — Projets de loi d'intérêt privé .....	2039
Applications to Provincial Parliament .....	2039

SALE OF LANDS FOR TAX ARREARS BY PUBLIC TENDER/VENTES DE TERRAINS PAR APPEL D'OFFRES POUR ARRIÉRÉ D'IMPÔT  
THE CORPORATION OF THE CITY OF WELLAND .....

2039

PUBLICATIONS UNDER THE REGULATIONS ACT/  
PUBLICATIONS EN VERTU DE LA LOI SUR LES RÈGLEMENTS

Drug Interchangeability and Dispensing Fee Act	O. Reg. 418/05 .....	2373
Education Act	O. Reg. 391/05 .....	2041
Education Act	O. Reg. 392/05 .....	2042
Education Act	O. Reg. 393/05 .....	2043
Education Act	O. Reg. 394/05 .....	2044
Education Act	O. Reg. 395/05 .....	2045
Education Act	O. Reg. 396/05 .....	2046
Education Act	O. Reg. 397/05 .....	2046
Education Act	O. Reg. 398/05 .....	2048
Education Act	O. Reg. 399/05 .....	2056
Education Act	O. Reg. 400/05 .....	2073
Education Act	O. Reg. 401/05 .....	2298
Education Act	O. Reg. 402/05 .....	2299
Education Act	O. Reg. 403/05 .....	2300
Education Act	O. Reg. 415/05 .....	2367
Environmental Bill of Rights, 1993	O. Reg. 420/05 .....	2403
Environmental Protection Act	O. Reg. 419/05 .....	2374
Environmental Protection Act	O. Reg. 421/05 .....	2404
Environmental Protection Act	O. Reg. 422/05 .....	2404
Environmental Protection Act	O. Reg. 423/05 .....	2405
Highway Traffic Act	O. Reg. 413/05 .....	2314
Liquor Licence Act	O. Reg. 404/05 .....	2301
Occupational Health and Safety Act	O. Reg. 414/05 .....	2365
Ontario Drug Benefit Act	O. Reg. 417/05 .....	2372
Places to Grow Act, 2005	O. Reg. 416/05 .....	2372
Provincial Offences Act	O. Reg. 406/05 .....	2302
Provincial Offences Act	O. Reg. 407/05 .....	2303
Provincial Offences Act	O. Reg. 408/05 .....	2310
Provincial Offences Act	O. Reg. 409/05 .....	2310
Provincial Offences Act	O. Reg. 410/05 .....	2311
Provincial Offences Act	O. Reg. 411/05 .....	2312
Provincial Offences Act	O. Reg. 412/05 .....	2313
Safe Drinking Water Act	O. Reg. 405/05 .....	2302



## TEXTE D'INFORMATION POUR LA GAZETTE DE L'ONTARIO

### Information

La Gazette de l'Ontario paraît chaque samedi, et les annonces à y insérer doivent parvenir à ses bureaux le jeudi à 15h au plus tard, soit au moins neuf jours avant la parution du numéro dans lequel elles figureront. Pour les semaines incluant le lundi de Pâques, le 11 novembre et les congés statutaires, accordez une journée de surplus. Pour connaître l'horaire entre Noël et le Jour de l'An s'il vous plaît communiquez avec le bureau de La Gazette de l'Ontario au (416) 326-5310 ou par courriel à [GazettePubsOnt@mbs.gov.on.ca](mailto:GazettePubsOnt@mbs.gov.on.ca)

#### Tarifs publicitaires et soumission de format:

- 1) Le tarif publicitaire pour la première insertion envoyée électroniquement est de 75,00\$ par espace-colonne jusqu'à un ¼ de page.
- 2) Pour chaque insertion supplémentaire commandée en même temps que l'insertion initiale, le tarif est 40,00\$
- 3) Les clients peuvent confirmer la publication d'une annonce en visitant le site web de La Gazette de l'Ontario [www.ontariogazette.gov.on.ca](http://www.ontariogazette.gov.on.ca) ou en visionnant une copie imprimée à une bibliothèque locale.

#### Abonnement:

Le tarif d'abonnement annuel est de 126,50\$ + T.P.S. pour 52 ou 53 numéros hebdomadaires débutant le premier samedi du mois de janvier (payable à l'avance) L'inscription d'un nouvel abonnement au courant de l'année sera calculée de façon proportionnelle pour la première année. Un nouvel abonné peut commander des copies d'éditions précédentes de la Gazette au coût d'une copie individuelle si l'inventaire le permet.

Le remboursement pour l'annulation d'abonnement sera calculé de façon proportionnelle à partir de 50% ou moins selon la date. Pour obtenir de l'information sur l'abonnement ou les commandes s.v.p. téléphonez le (416) 326-5306 durant les heures de bureau.

#### Copies individuelles:

Des copies individuelles de la Gazette peuvent être commandées en direct sur POD au site [www.gov.on.ca/MBS/french/publications](http://www.gov.on.ca/MBS/french/publications) ou en téléphonant 1-800-668-9938.

#### Options de paiement:

Les paiements peuvent être effectués au moyen de la carte Visa, MasterCard ou Amex, ou chèques ou mandats fait à l'ordre du MINISTRE DES FINANCES. Toute correspondance, notamment les changements d'adresse, doit être adressée à :

#### LA GAZETTE DE L'ONTARIO

50 rue Grosvenor, Toronto (Ontario) M7A 1N8

Téléphone (416) 326-5306

#### Paiement-Annonces:

Pour le traitement rapide les clients peuvent faire leur paiement au moyen de la carte Visa, MasterCard ou Amex lorsqu'ils soumettent leurs annonces. Les frais peuvent également être facturés.

#### MINISTÈRES DU GOUVERNEMENT DE L'ONTARIO S.V.P. NOTEZ

IFIS a introduit des exigences de procédures de facturation plus rigoureuses et compliquées qui affectent la Gazette et ses clients. S'il vous plaît considérez utiliser une carte d'achat du ministère lorsque vous placez une annonce. Les commandes faites par carte d'achat ne sont pas sujettes aux exigences de facturation d'IFIS et permettront la Gazette d'éviter le retard futur de traitement.

Pour obtenir de l'information sur le paiement par carte d'achat, les types et le placement d'annonces communiquez avec le bureau de la Gazette au (416) 326-5310 ou à [GazettePubsOnt@mbs.gov.on.ca](mailto:GazettePubsOnt@mbs.gov.on.ca)



## INFORMATION TEXT FOR ONTARIO GAZETTE

### Information

The Ontario Gazette is published every Saturday. Advertisements/notices must be received no later than 3 pm on Thursday, 9 days before publication of the issue in which they should appear. For weeks including Easter Monday, November 11th or a statutory holiday allow an extra day. For the Christmas/New Year holiday schedule please contact the Gazette at (416) 326-5310 or by email at [GazettePubsOnt@mbs.gov.on.ca](mailto:GazettePubsOnt@mbs.gov.on.ca)

#### Advertising rates and submission formats:

- 1) For a first insertion electronically submitted the basic rate is \$75 up to ¼ page.
- 2) For subsequent insertions of the same notice ordered at the same time the rate is \$40 each.
- 3) Clients may confirm publication of a notice by visiting The Ontario Gazette web site at: [www.ontariogazette.gov.on.ca](http://www.ontariogazette.gov.on.ca) or by viewing a printed copy at a local library.

#### Subscriptions:

The annual subscription rate is \$126.50 + G.S.T. for 52 or 53 weekly issues beginning the first Saturday in January, payable in advance. In-year new subscriptions will be pro-rated for the first year. A new subscriber may order back issues of the Gazette at the single-copy rate as inventory permits.

Refunds for cancelled subscriptions will be pro-rated from 50% or less depending upon date. For subscription information/orders please call (416) 326-5306 during normal business hours.

#### Single Copies:

Individual Gazette copies may be ordered on-line through POOL at [www.gov.on.ca/MBS/english\(or/french\)/publications](http://www.gov.on.ca/MBS/english(or/french)/publications) or by phone at 1-800-668-9938.

#### Payment Options:

Subscriptions may be paid by VISA, AMEX or MasterCard or by Cheque or Money order payable to THE MINISTER OF FINANCE. All subscription enquiries and correspondence, including address changes, should be mailed to:

#### THE ONTARIO GAZETTE

50 Grosvenor Street, Toronto, Ontario M7A 1N8

Telephone: (416) 326-5306

#### Payment – Notices:

For fastest processing clients may pay by VISA, AMEX or MasterCard when submitting notices. Charges may also be invoiced.

#### ONTARIO GOVERNMENT MINISTRIES PLEASE NOTE:

IFIS requirements have introduced more stringent and complicated billing procedures that affect both the Gazette and its clients. Please consider using a ministry Purchase Card when placing notices – charge card orders are not subject to IFIS requirements, and will allow the Gazette to avoid future processing delays.

For information about P-card payments, valid types of notice and placement P contact the Gazette office at (416) 326-5310 or at [GazettePubsOnt@mbs.gov.on.ca](mailto:GazettePubsOnt@mbs.gov.on.ca)